



US00D518079S

(12) **United States Design Patent**
Hines et al.

(10) **Patent No.: US D518,079 S**

(45) **Date of Patent: ** Mar. 28, 2006**

(54) **EYEPIECE FOR OPTICAL INSTRUMENTS**

(75) Inventors: **David M. Hines**, Santa Ana, CA (US);
Paul Hobbs, Lake Forest, CA (US);
Steven Murdock, Mission Viejo, CA (US)

(73) Assignee: **Meade Instruments Corporation**,
Irvine, CA (US)

(**) Term: **14 Years**

(21) Appl. No.: **29/221,446**

(22) Filed: **Jan. 14, 2005**

(51) **LOC (8) Cl.** **16-06**

(52) **U.S. Cl.** **D16/134; D16/130**

(58) **Field of Classification Search** D16/101,
D16/130, 131, 132, 134, 136, 219, 220, 305,
D16/381, 384, 368; D22/108, 109; 359/368,
359/379, 381, 384, 399, 407, 421, 672, 673,
359/694, 700, 701, 704, 808

See application file for complete search history.

(56) **References Cited**

U.S. PATENT DOCUMENTS

3,112,570 A * 12/1963 De Vasconcellos 434/303

D243,172 S * 1/1977 Uetake et al. D16/134

D331,589 S * 12/1992 Yamamoto D16/134

5,337,177 A * 8/1994 Toyoda et al. 359/384

5,930,034 A * 7/1999 Fukumoto 359/381

* cited by examiner

Primary Examiner—Paula A. Greene

(74) *Attorney, Agent, or Firm*—Knobbe, Martens, Olson &
Bear, LLP

(57) **CLAIM**

The ornamental design for an eyepiece for optical instruments, as shown and described.

DESCRIPTION

FIG. 1 is a front top perspective view of an eyepiece showing our new design;

FIG. 2 is a side elevation view thereof;

FIG. 3 is a side elevation view thereof;

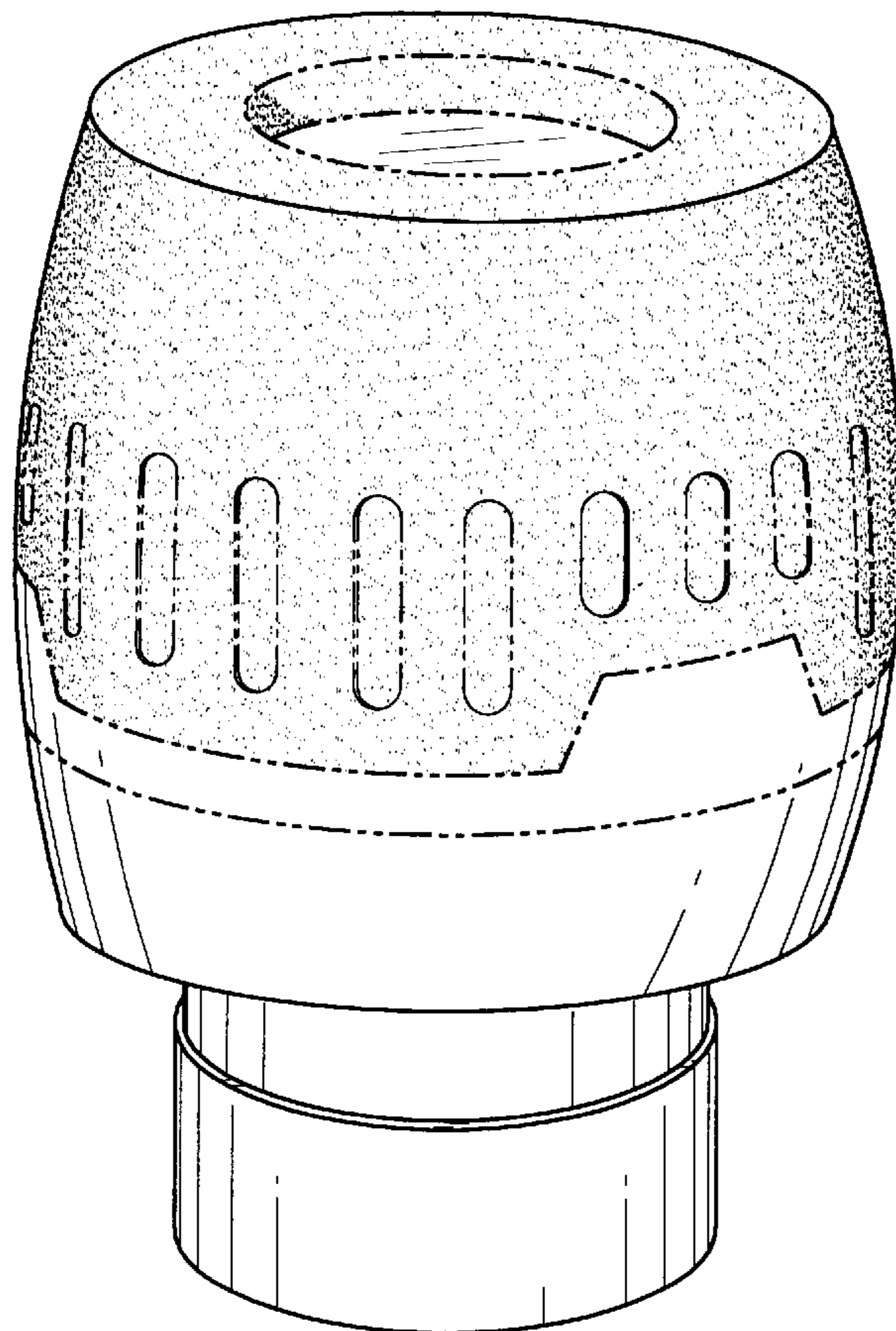
FIG. 4 is a side elevation view thereof;

FIG. 5 is a side elevation view thereof; and,

FIG. 6 is a bottom plan view thereof.

Phantom lining, broken lining, hatching or shading are for utilized for illustrative purposes only (such as, for example, illustrating rubber versus brushed steel surfaces), and do not limit or form any part of the claimed design.

1 Claim, 4 Drawing Sheets



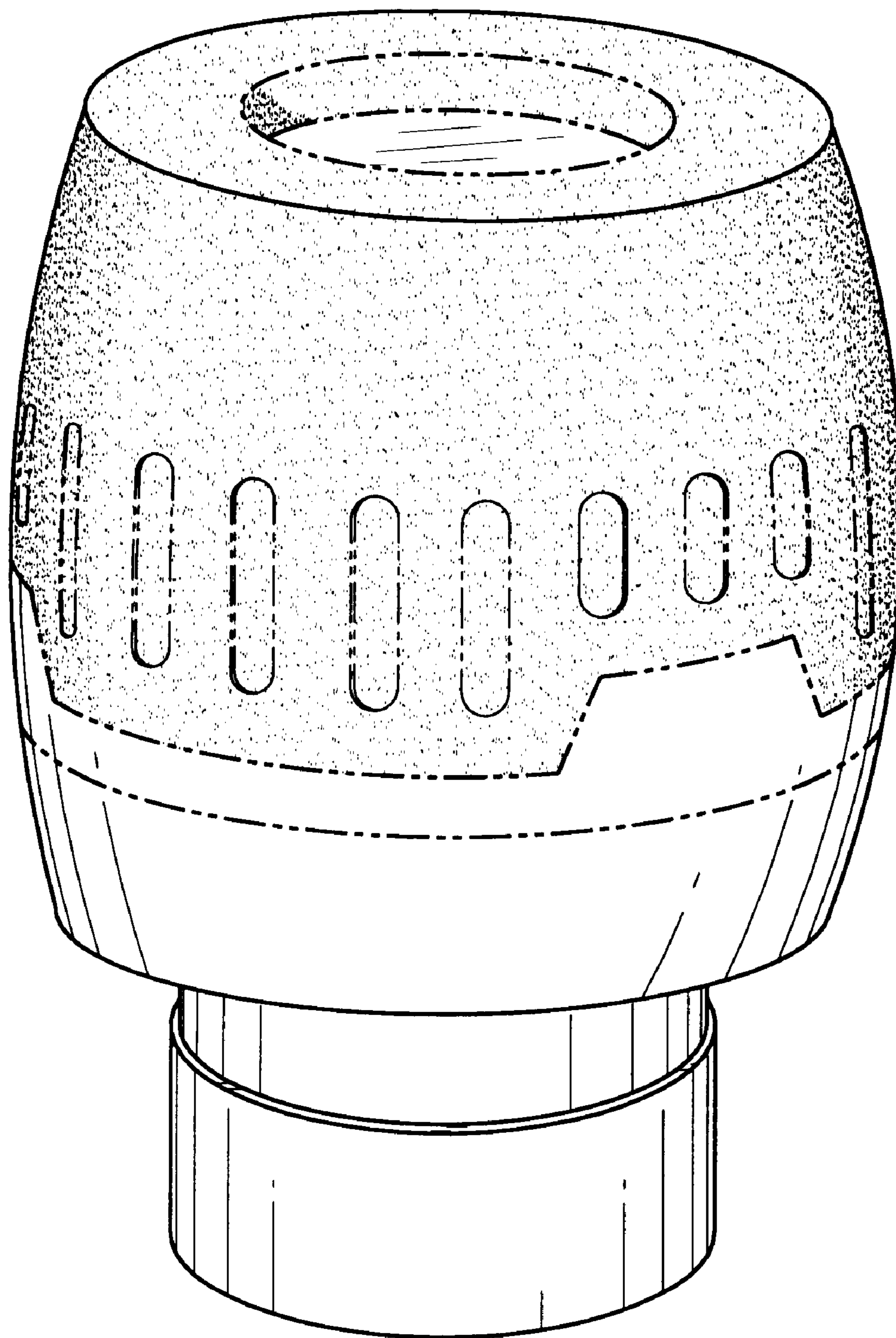


FIG. 1

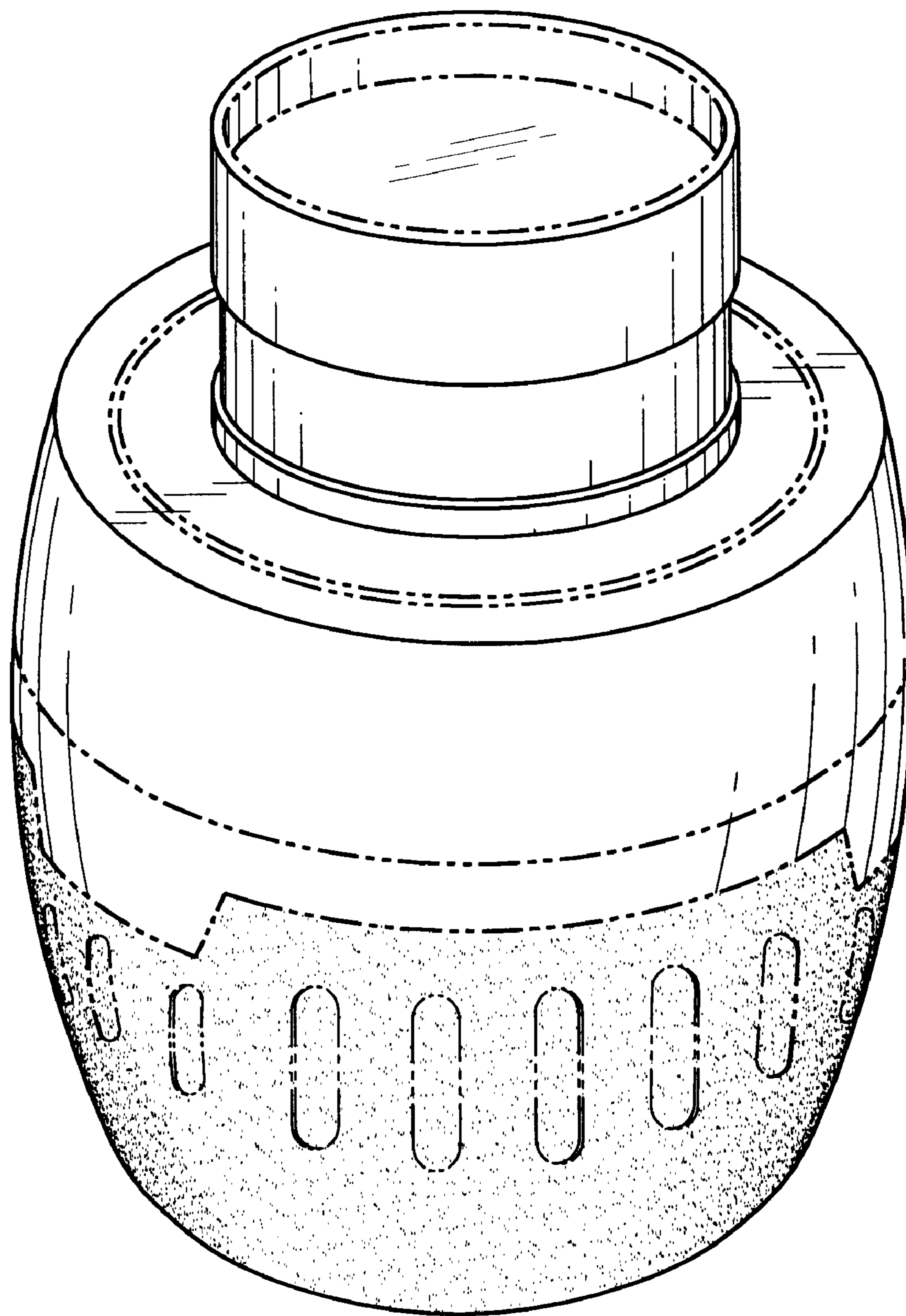


FIG. 2

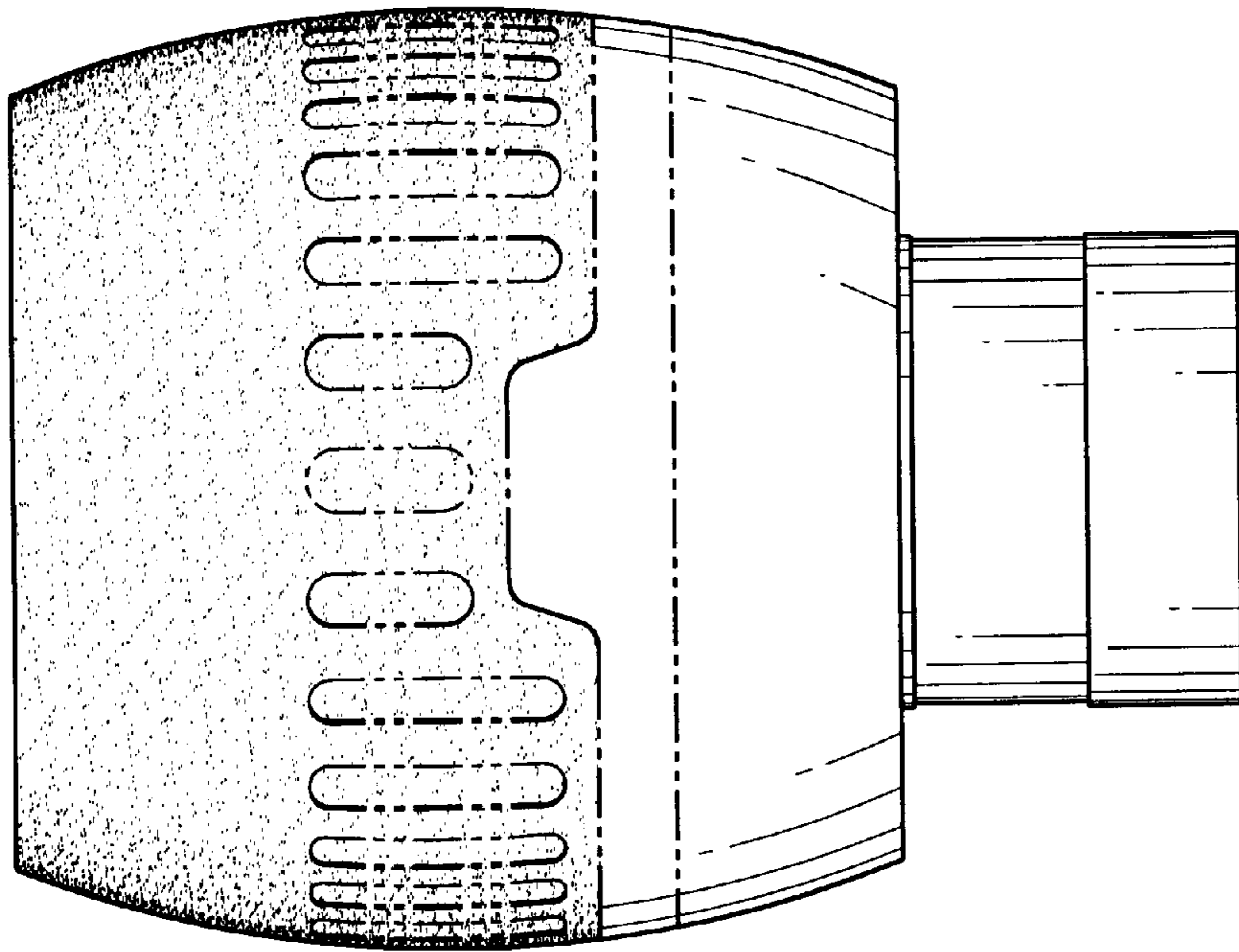


FIG. 4

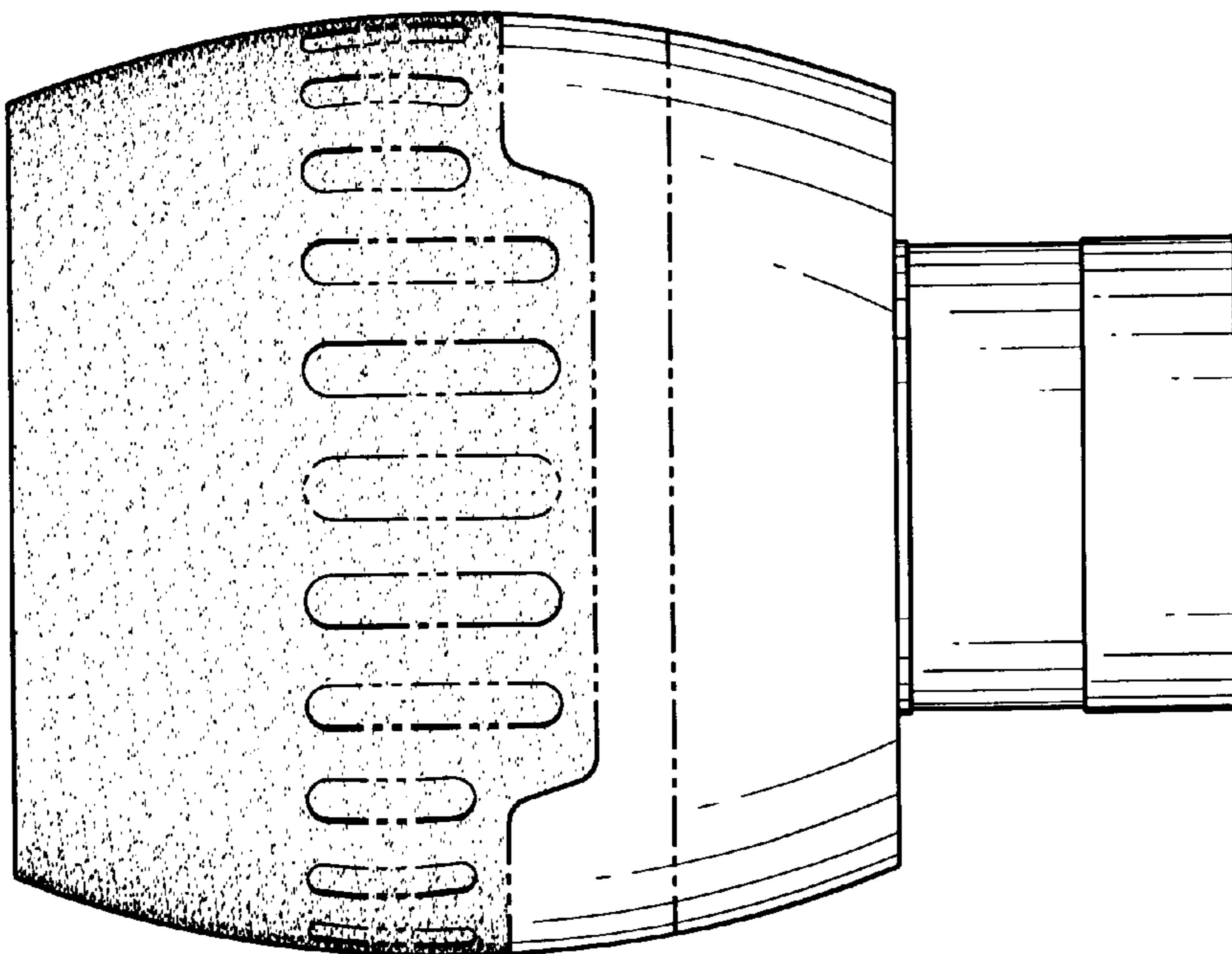


FIG. 3

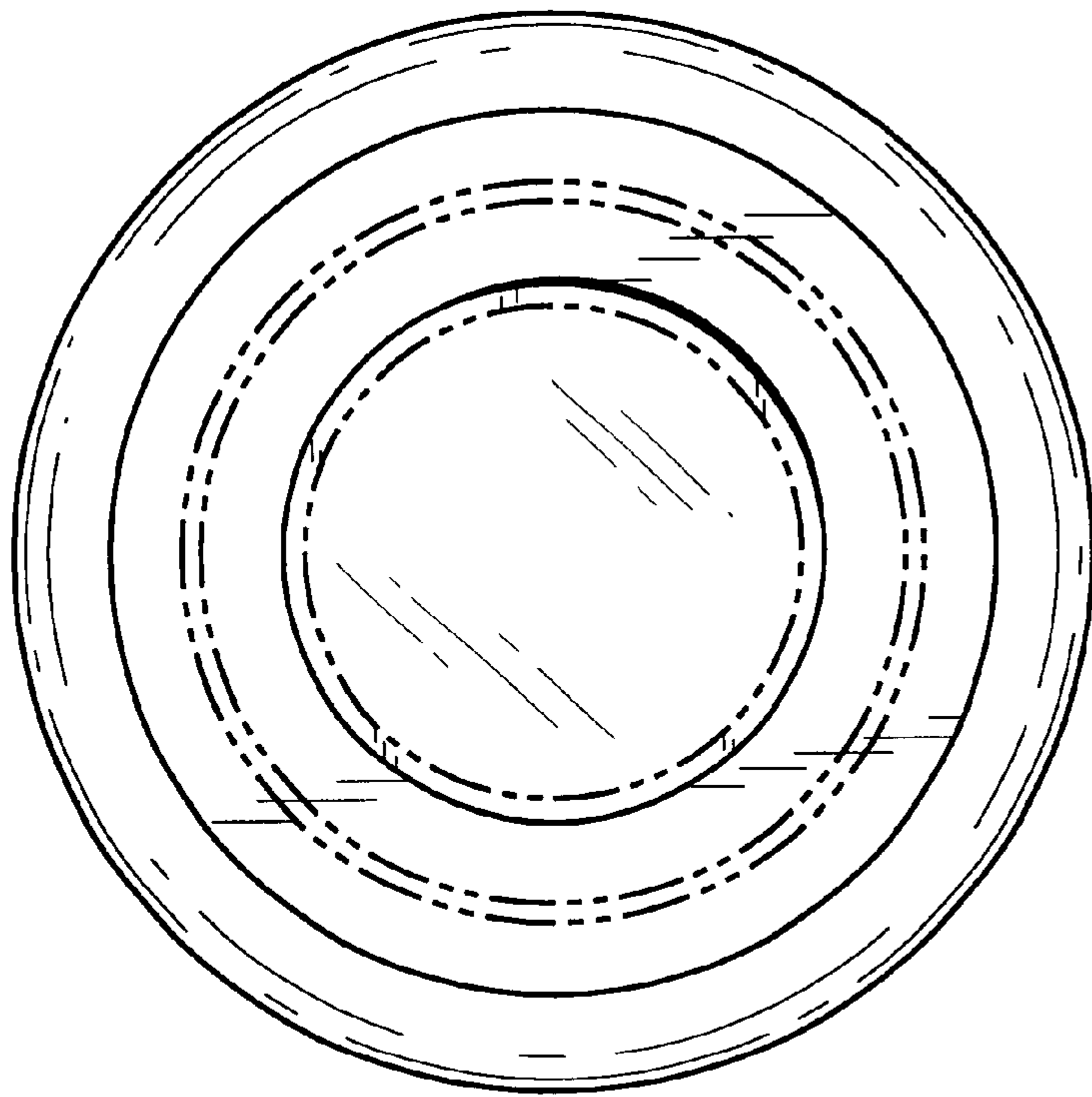


FIG. 6

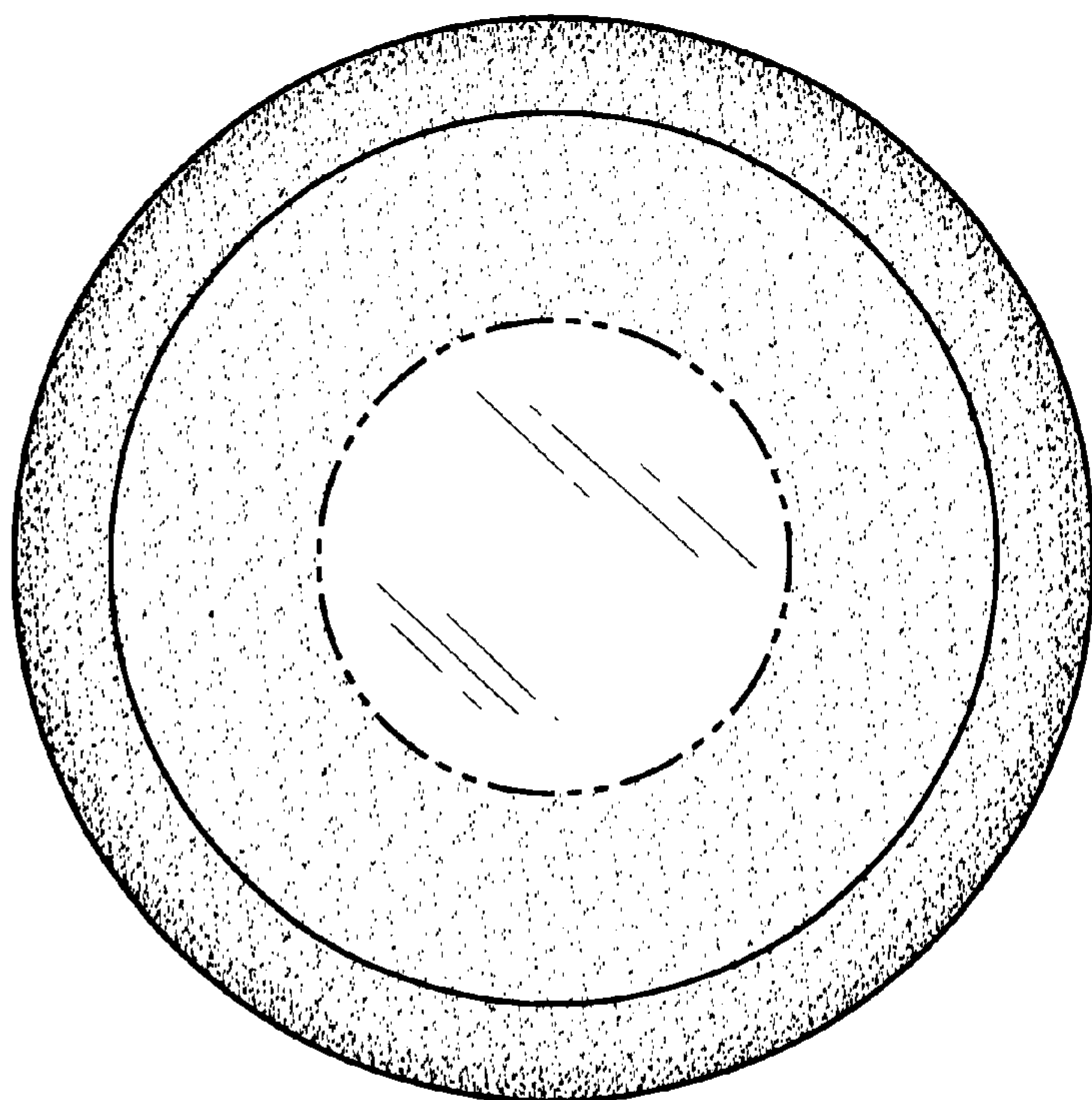


FIG. 5