



US00D518078S

(12) **United States Design Patent**
Persson

(10) **Patent No.:** **US D518,078 S**

(45) **Date of Patent:** **** Mar. 28, 2006**

(54) **WELDING MACHINE**

(75) **Inventor:** **Johan Persson, Stockholm (SE)**

(73) **Assignee:** **ESAB AB, Göteborg (SE)**

(**) **Term:** **14 Years**

(21) **Appl. No.:** **29/208,719**

(22) **Filed:** **Jul. 2, 2004**

(30) **Foreign Application Priority Data**

Jan. 2, 2004 (SE) 04-0001

(51) **LOC (8) Cl.** **15-09**

(52) **U.S. Cl.** **D15/144.1**

(58) **Field of Classification Search** D15/144,
D15/144.1, 144.2; 174/50.56, 50.59; 361/220;
336/182, 195, 212, 214; 219/130-133; 290/1 A

See application file for complete search history.

(56) **References Cited**

U.S. PATENT DOCUMENTS

6,525,430 B1 * 2/2003 Asai et al. 290/1 A

6,758,169 B1 * 7/2004 Suzuki et al. 290/1 A

* cited by examiner

Primary Examiner—Antoine D. Davis

(74) *Attorney, Agent, or Firm*—Dilworth & Barrese

(57) **CLAIM**

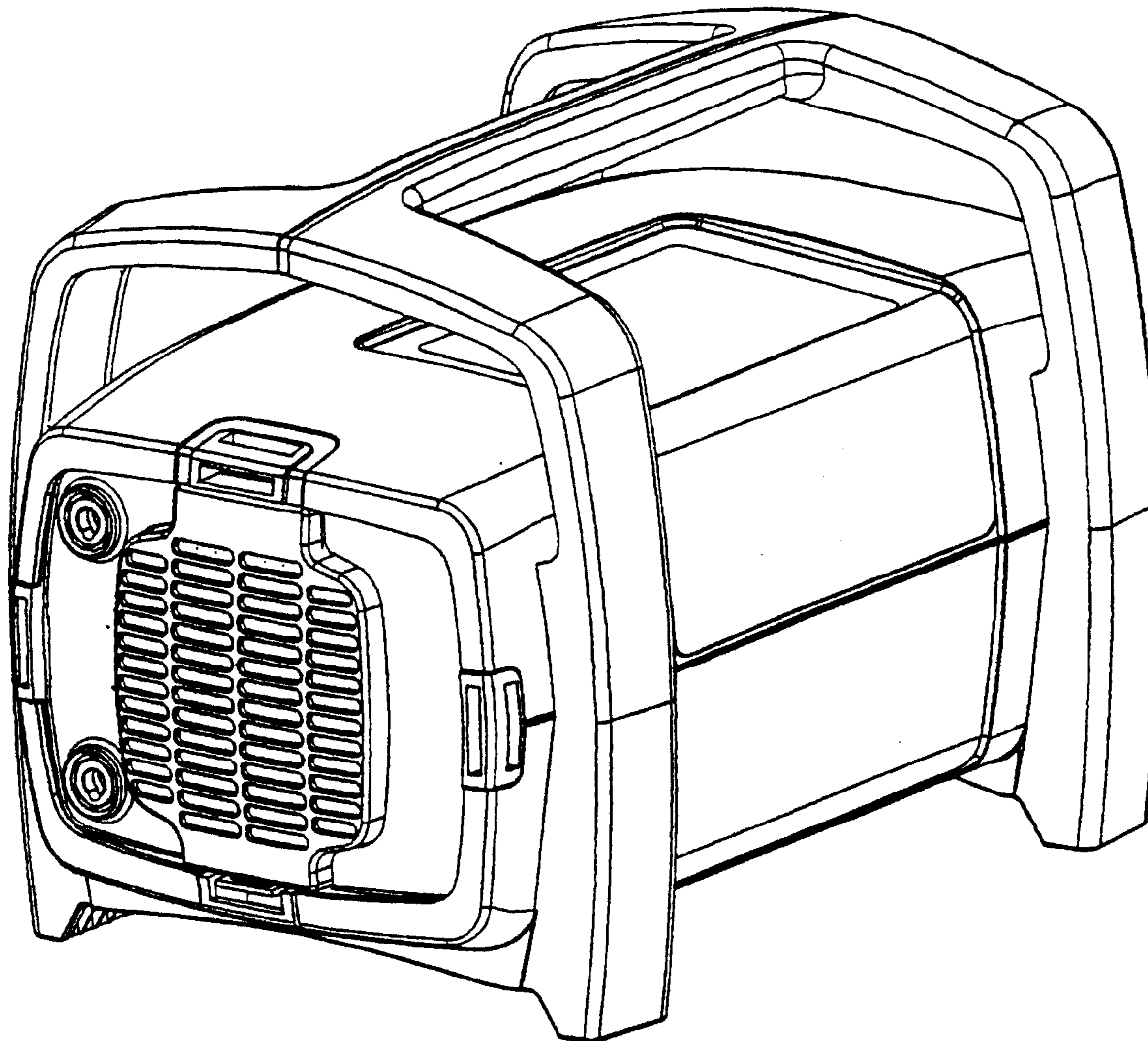
The ornamental design for a welding machine, substantially as shown and described.

DESCRIPTION

FIG. 1. is a top front perspective view of a welding machine showing my new design; and,

FIG. 2. is a bottom rear perspective view thereof.

1 Claim, 1 Drawing Sheet



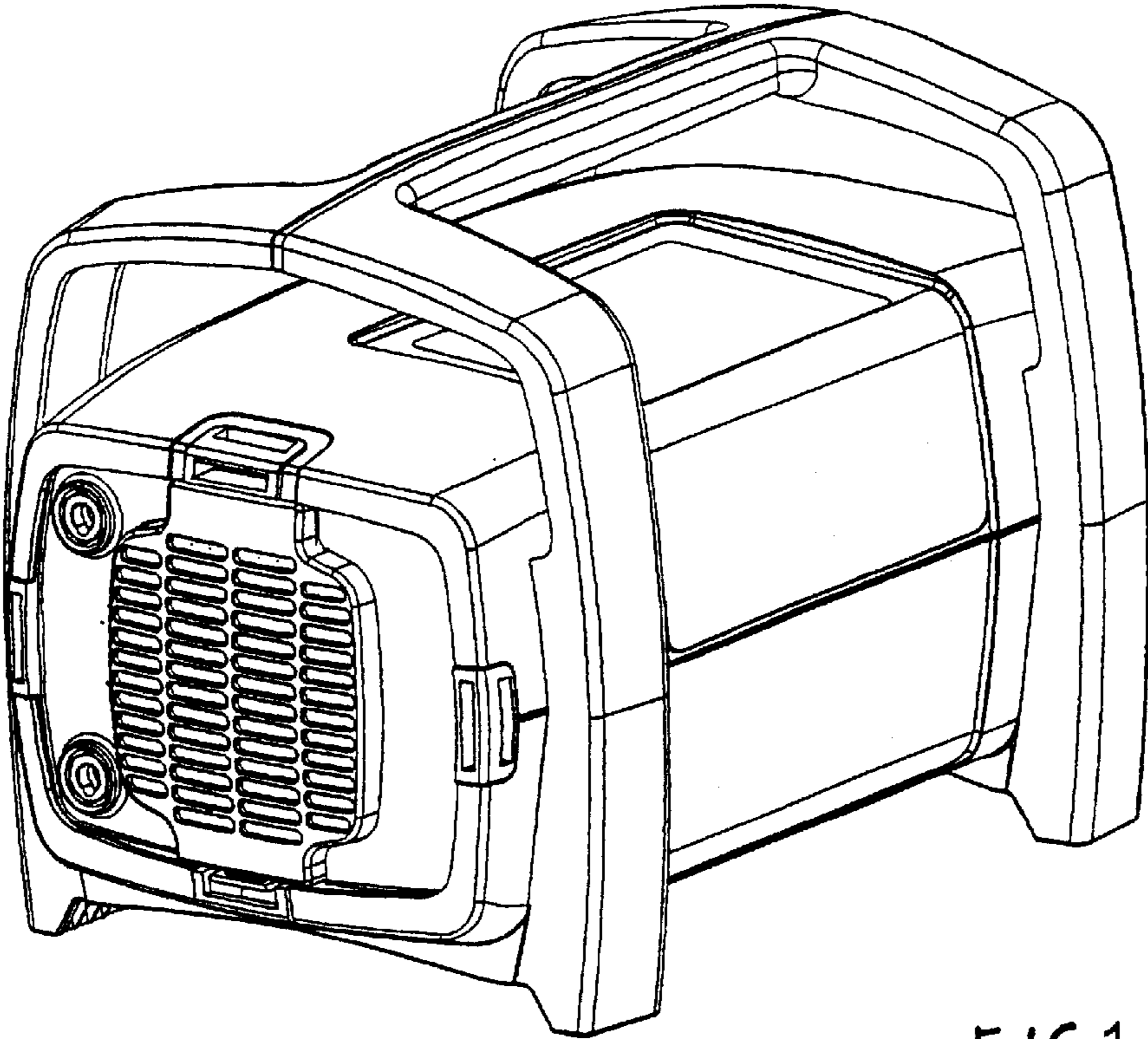


FIG.1

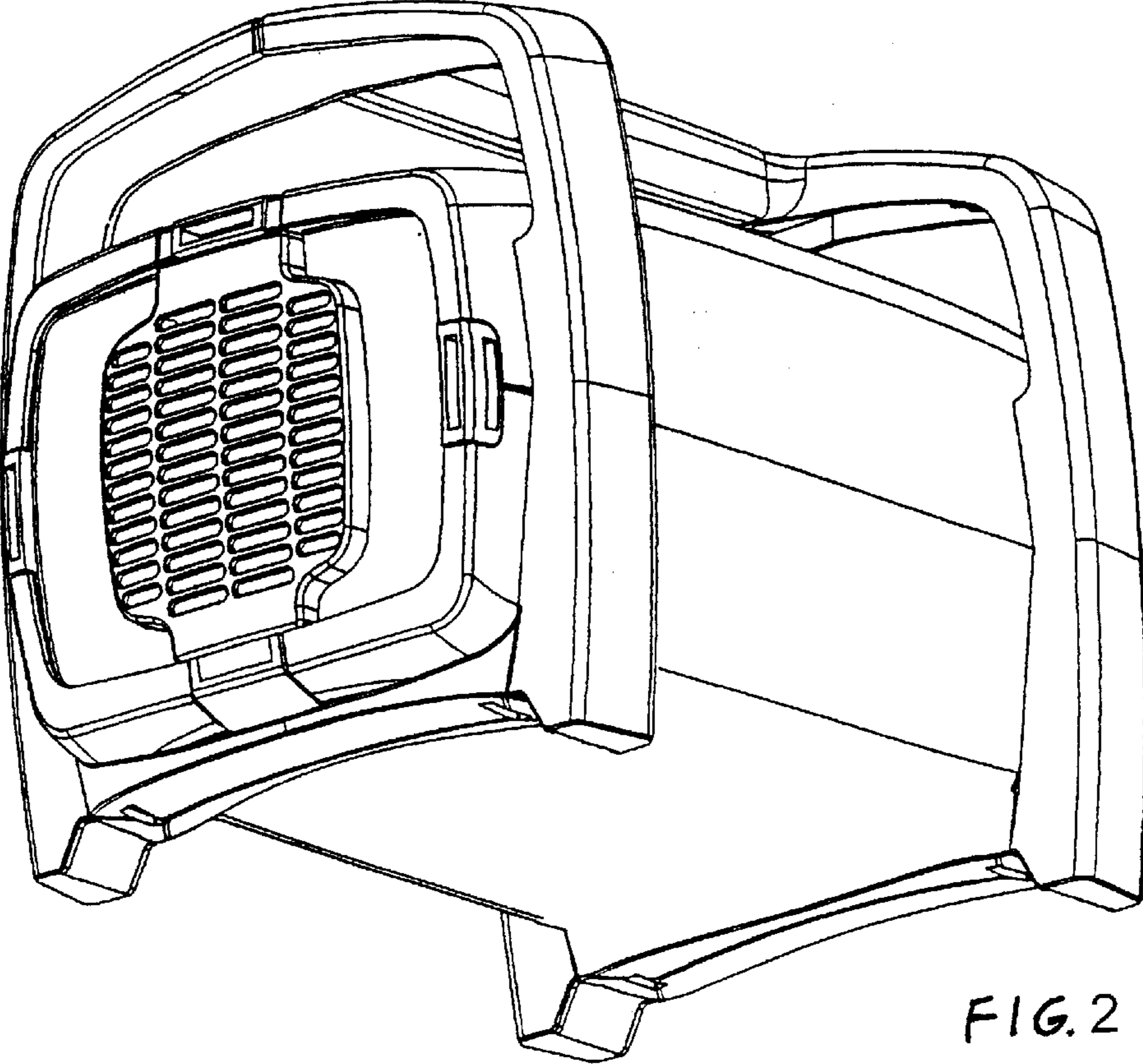


FIG.2