



US00D518076S

(12) **United States Design Patent**
Quinlan et al.

(10) **Patent No.:** **US D518,076 S**
(45) **Date of Patent:** **** Mar. 28, 2006**

(54) **REFRIGERATOR DISPENSER**
(75) Inventors: **Daniel H. Quinlan**, Stevensville, MI
(US); **Steve S. Lee**, St. Joseph, MI
(US); **Tania L. Aldous**, St. Joseph, MI
(US); **Kevin J. Gilboe**, Stevensville, MI
(US)

(73) Assignee: **Whirlpool Corporation**, Benton Harbor, MI (US)

(**) Term: **14 Years**

(21) Appl. No.: **29/229,531**

(22) Filed: **May 9, 2005**

(51) **LOC (8) Cl.** **15-07**

(52) **U.S. Cl.** **D15/89**

(58) **Field of Classification Search** D15/79-91;
62/246-255, 275, 337, 344, 3.6; 220/592.01,
220/592.02; 312/116

See application file for complete search history.

(56) **References Cited**

U.S. PATENT DOCUMENTS

5,033,273 A * 7/1991 Buchser et al. 62/344
5,269,154 A * 12/1993 Schmidt 62/275
D365,579 S * 12/1995 Baker et al. D15/89
D379,095 S * 5/1997 Sparks D15/85

D415,504 S * 10/1999 Han D15/85
D449,624 S * 10/2001 Yu D15/81
D449,625 S * 10/2001 Yu D15/81
D477,336 S * 7/2003 Kwak et al. D15/85
D477,340 S * 7/2003 Kim et al. D15/85

* cited by examiner

Primary Examiner—Nanda Bondade

Assistant Examiner—Shanda C. Hill

(74) *Attorney, Agent, or Firm*—Clifton G. Green; Robert O. Rice; John F. Colligan

(57) **CLAIM**

The ornamental design for a refrigerator dispenser, as shown and described.

DESCRIPTION

FIG. 1 is a front perspective view of the design of the refrigerator dispenser;

FIG. 2 is a front elevational view thereof;

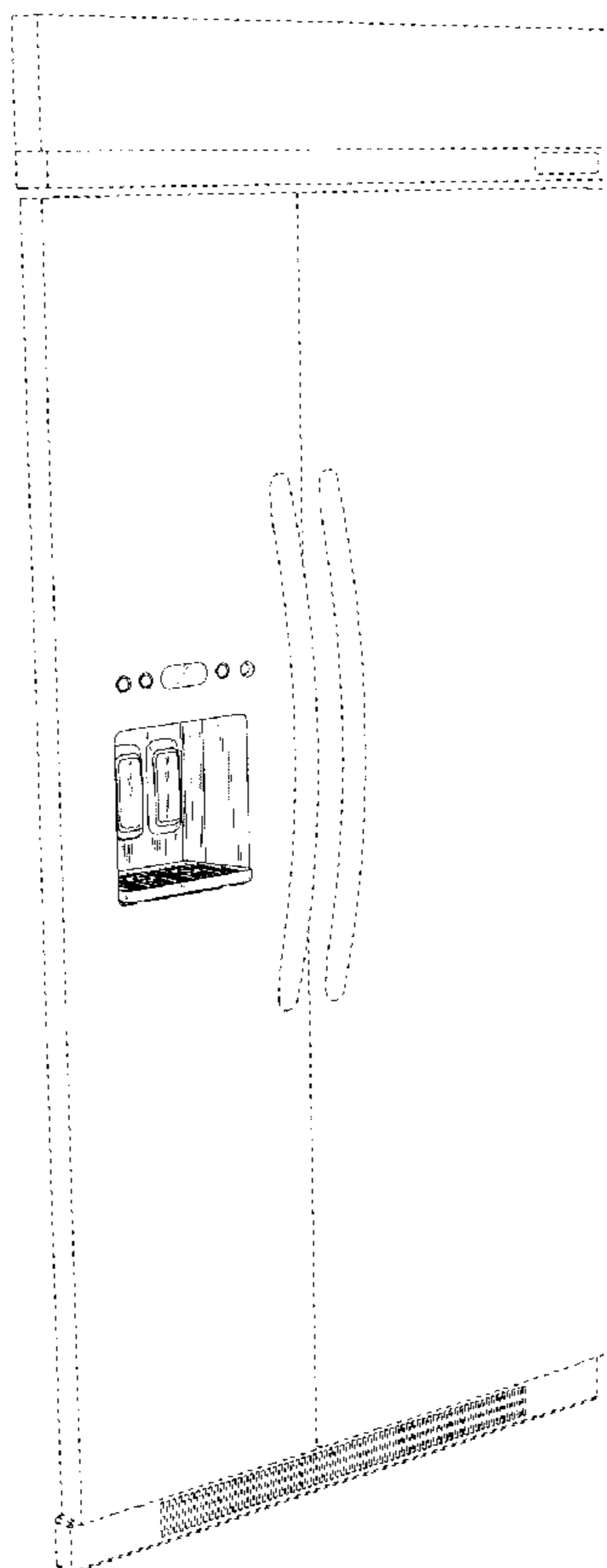
FIG. 3 is a right side elevational view with the left side being a mirror image thereof.

FIG. 4 is an enlargement of the front perspective view of the dispenser thereof; and,

FIG. 5 is an enlargement of the front elevational view thereof.

The portions shown in broken lines are for illustrative purposes only and do not form any part of the design.

1 Claim, 4 Drawing Sheets



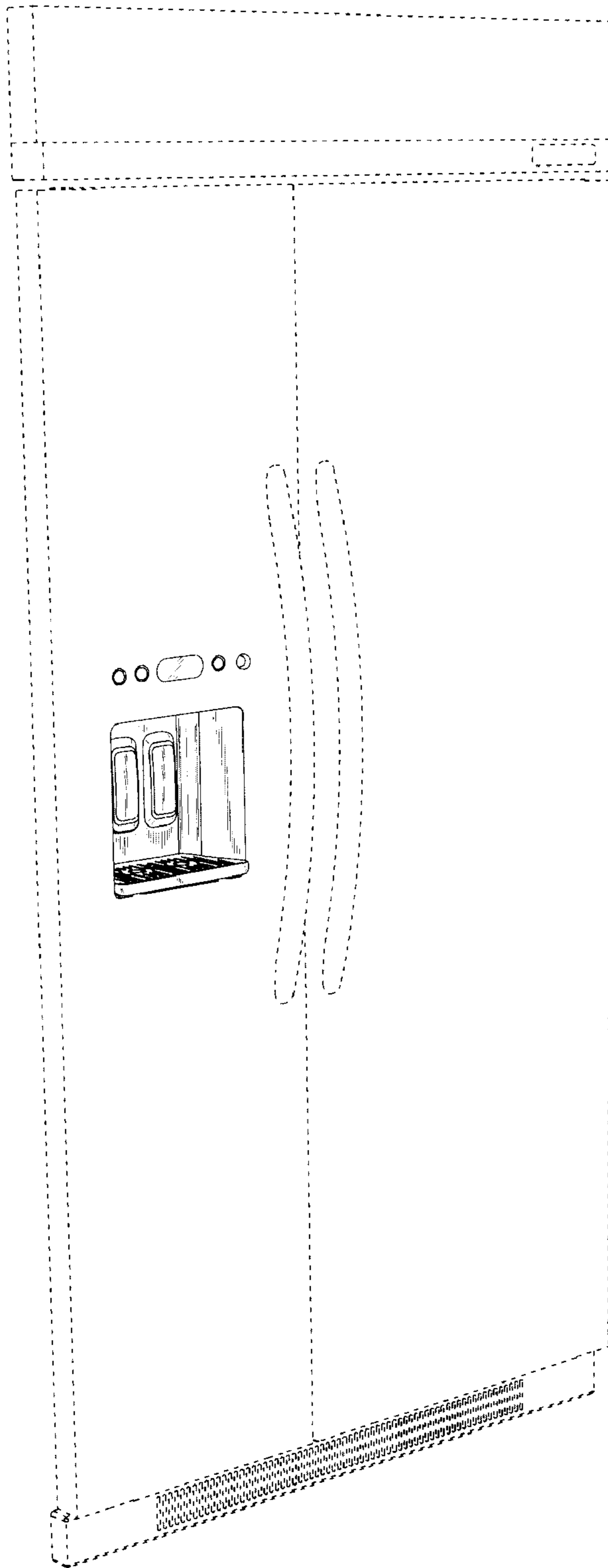


Fig. 1

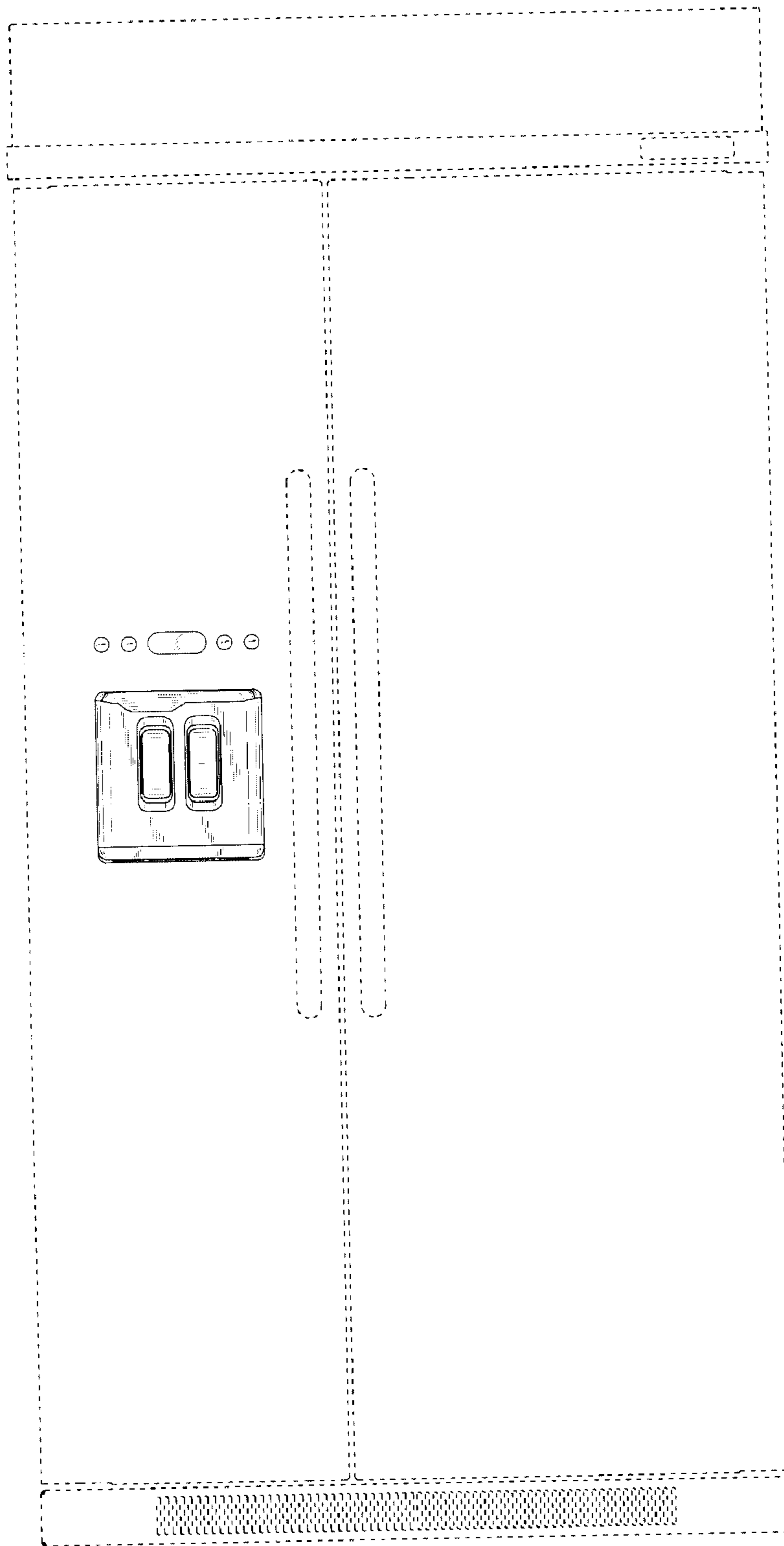


Fig. 2

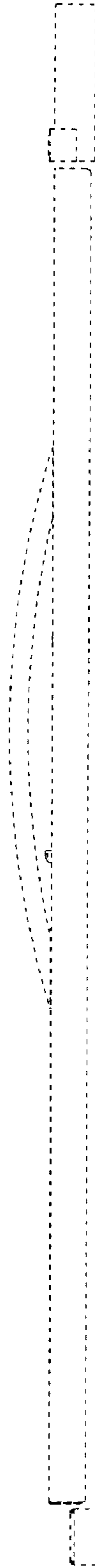


Fig. 3

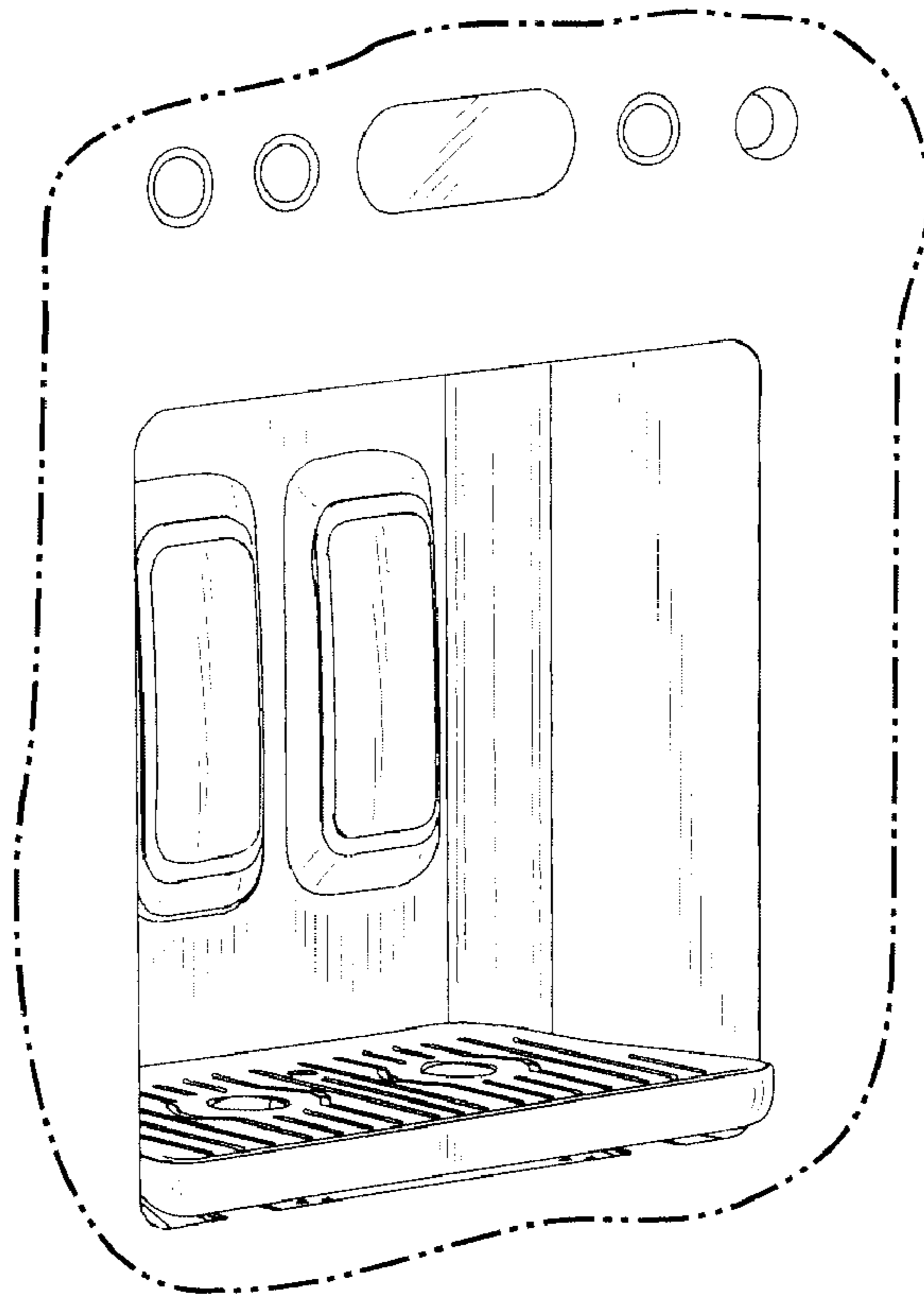


Fig. 4

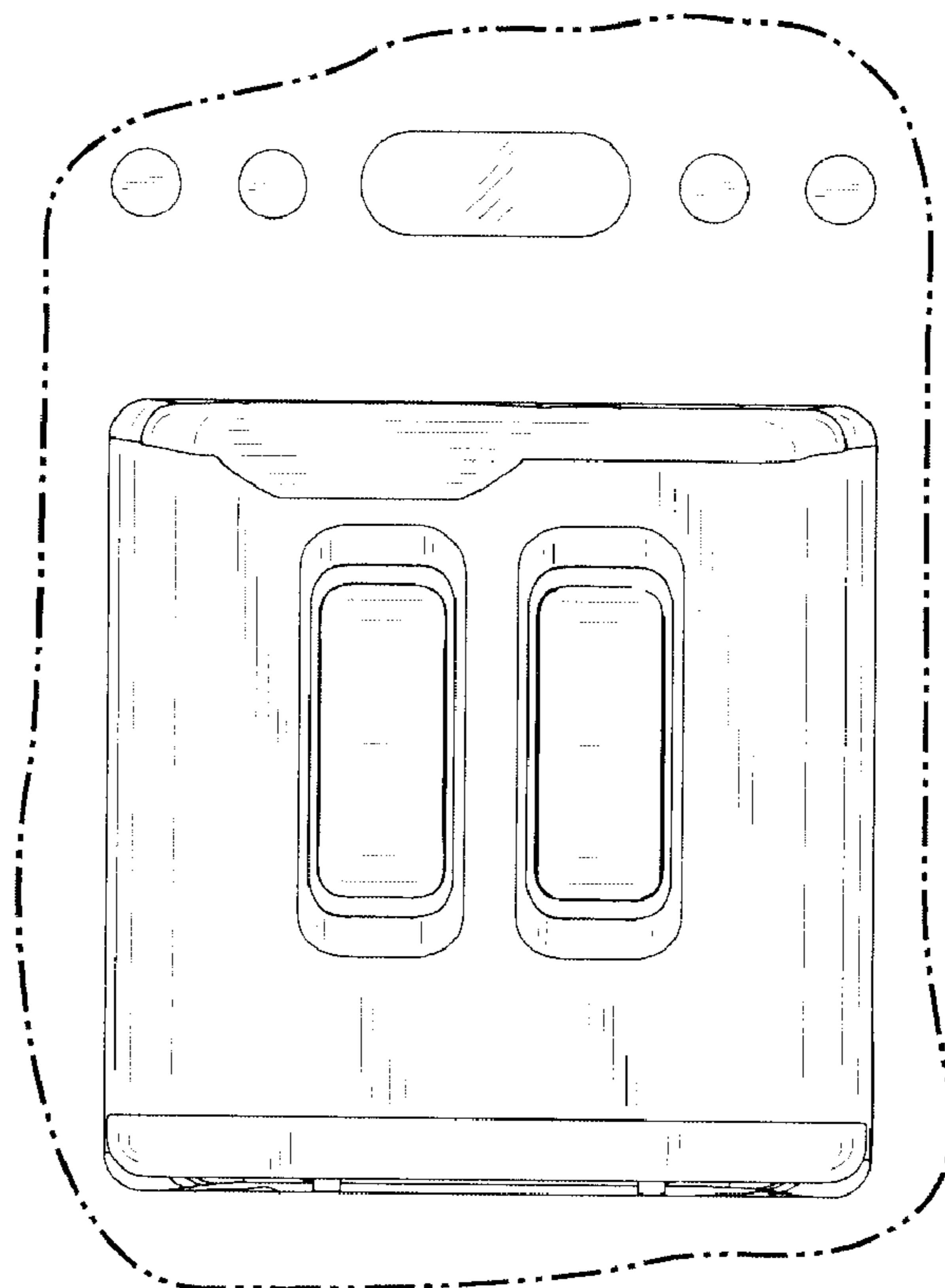


Fig. 5