



US00D518075S

(12) **United States Design Patent** (10) **Patent No.:** **US D518,075 S**
Westendorf et al. (45) **Date of Patent:** **** Mar. 28, 2006**

(54) **FRONT END LOADER**

(75) Inventors: **Neal W. Westendorf**, Dakota Dunes,
SD (US); **Joseph W. Langenfeld**,
Onawa, IA (US)

(73) Assignee: **Westendorf Manufacturing Co., Inc.**,
Onawa, IA (US)

(**) **Term:** **14 Years**

(21) **Appl. No.:** **29/230,404**

(22) **Filed:** **May 20, 2005**

Related U.S. Application Data

(62) Division of application No. 29/198,972, filed on Feb. 6,
2004, now Pat. No. Des. 507,004.

(51) **LOC (8) Cl.** **15-03**

(52) **U.S. Cl.** **D15/32**

(58) **Field of Classification Search** D15/22-26,
D15/28, 32; 180/89.1, 89.12, 89.13; 266/190,
266/202; 414/685, 722, 724, 540, 559, 694,
414/708

See application file for complete search history.

(56) **References Cited**

U.S. PATENT DOCUMENTS

- 2,326,338 A 8/1943 Drott et al.
- 2,812,595 A 11/1957 Drott et al.
- 3,077,999 A 2/1963 Svoboda
- 3,209,474 A 10/1965 Artman
- D204,246 S 4/1966 Shumaker
- 3,243,905 A 4/1966 Ulrich
- 3,344,540 A 10/1967 Ulrich
- 3,455,477 A 7/1969 Blair
- D214,833 S 8/1969 Glommen
- D217,661 S 5/1970 McCawley
- 3,512,665 A 5/1970 Westendorf
- 3,701,443 A 10/1972 Lely
- 3,732,995 A 5/1973 Sheperd
- D230,622 S 3/1974 Conroy et al.
- 3,991,890 A 11/1976 Frank
- 4,033,469 A 7/1977 Frank

- 4,051,962 A 10/1977 Westendorf
- 4,085,856 A 4/1978 Westendorf
- 4,345,870 A 8/1982 Anderson et al.
- 4,376,612 A 3/1983 Yeou
- 4,538,955 A 9/1985 Langenfeld et al.

(Continued)

OTHER PUBLICATIONS

“Kubota Diesel Tractor”, Catalog No. 3079-01-US, 12
Pages, Feb. 1990.

“Bush Hog Front End Loaders”, 12 pages, Date Unknown.
“Bush Hog QT Series Front End Loaders”, 16 Pages, Date
Unknown.

Primary Examiner—Mitchell Siegel

(74) *Attorney, Agent, or Firm*—Merchant & Gould P.C.

(57) **CLAIM**

The ornamental design for front end loader, as shown and
described.

DESCRIPTION

FIG. 1 is a side elevational view of a front end loader
according to the invention shown resting on ground in a
storage position.

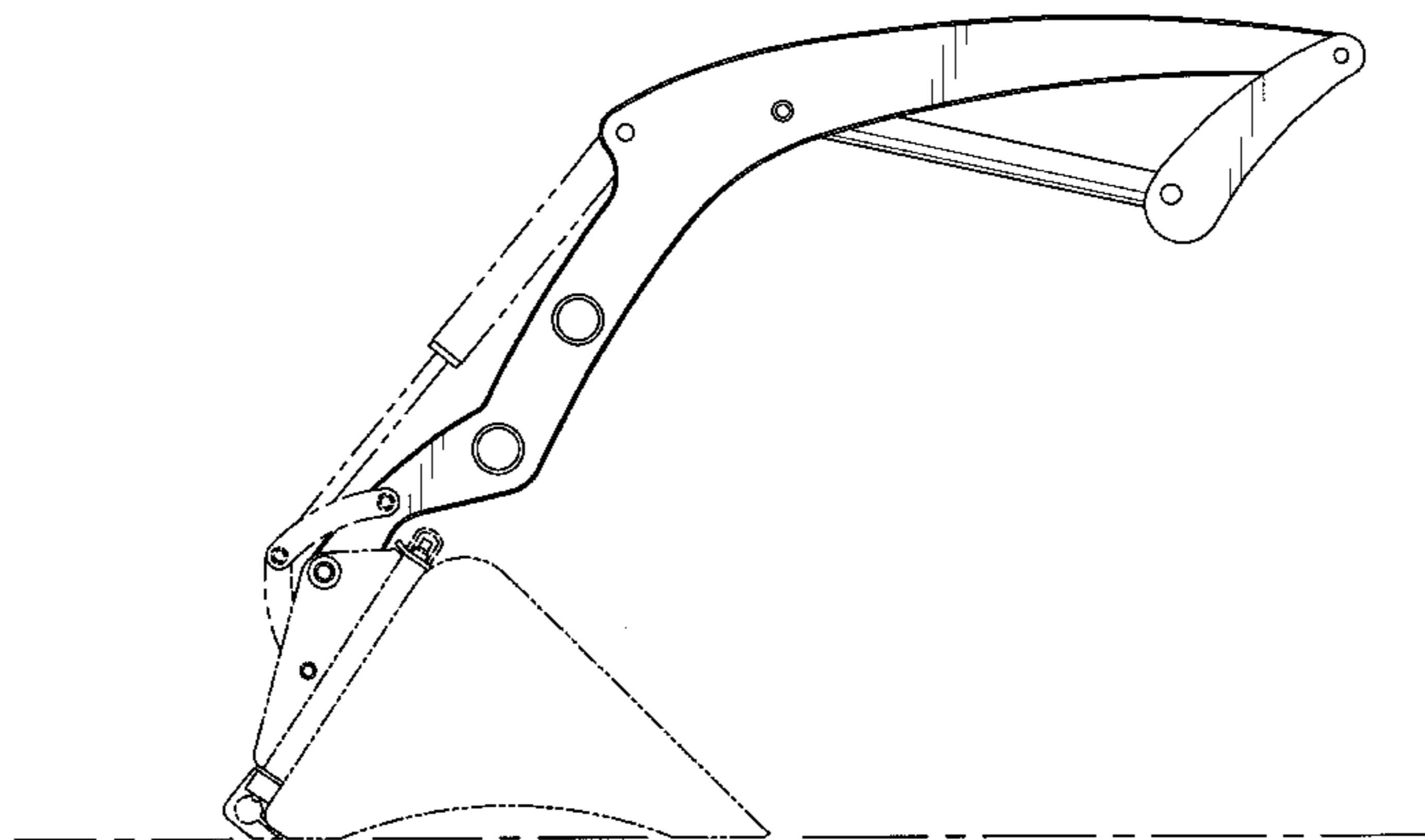
FIG. 2 is a side elevational view of the front end loader of
FIG. 1 shown attached to a tractor.

FIG. 3 is a side elevational view of an alternate embodiment
of a front end loader according to the invention shown
resting on ground in a storage position; and,

FIG. 4 is a side elevational view of the front end loader of
FIG. 3 shown attached to a tractor.

The views of the front end loader other than those shown do
not form a part of the claim of this design patent application.
The portions provided by broken lines are intended to reflect
environment and do not form a part of the indicated embodi-
ment of this design patent application. The remaining
dimensions of the front end loader are apparent from the
disclosure of U.S. Appl. No. 10/719,657 that was filed with
the United States Patent and Trademark Office on Nov. 21,
2003. The entire disclosure of U.S. Appl. No. 10/719,657 is
incorporated herein by reference.

1 Claim, 4 Drawing Sheets



U.S. PATENT DOCUMENTS

4,565,485 A	1/1986	Wilman	5,240,367 A	8/1993	Nakamura et al.
4,566,844 A	1/1986	Campin	5,387,076 A	2/1995	Fuzzen
4,606,692 A	8/1986	Langenfeld et al.	D361,576 S	8/1995	Matsubara et al.
4,787,811 A	11/1988	Langenfeld et al.	5,466,113 A	11/1995	Norberg
4,790,084 A	12/1988	Anderson et al.	5,785,328 A	7/1998	Eckloff
4,797,051 A	1/1989	Langenfeld et al.	D405,807 S	2/1999	Amy et al.
4,859,130 A	8/1989	Langenfeld et al.	D406,151 S	2/1999	Cunningham et al.
4,890,400 A	1/1990	Long	5,885,050 A	3/1999	Kim
4,915,575 A	4/1990	Langenfeld et al.	D416,266 S	11/1999	Del Torchio
4,930,974 A	6/1990	Langenfeld et al.	5,984,618 A	11/1999	Deneve et al.
4,968,213 A	11/1990	Langenfeld et al.	5,997,237 A	12/1999	Langenfeld et al.
4,995,760 A	2/1991	Probst et al.	6,142,724 A	11/2000	Hirooka et al.
4,999,022 A	3/1991	Veys	D459,368 S	6/2002	Westendorf et al.
5,121,557 A	6/1992	Moore	6,582,177 B1	6/2003	Westendorf et al.
			6,663,337 B1	12/2003	Westendorf et al.

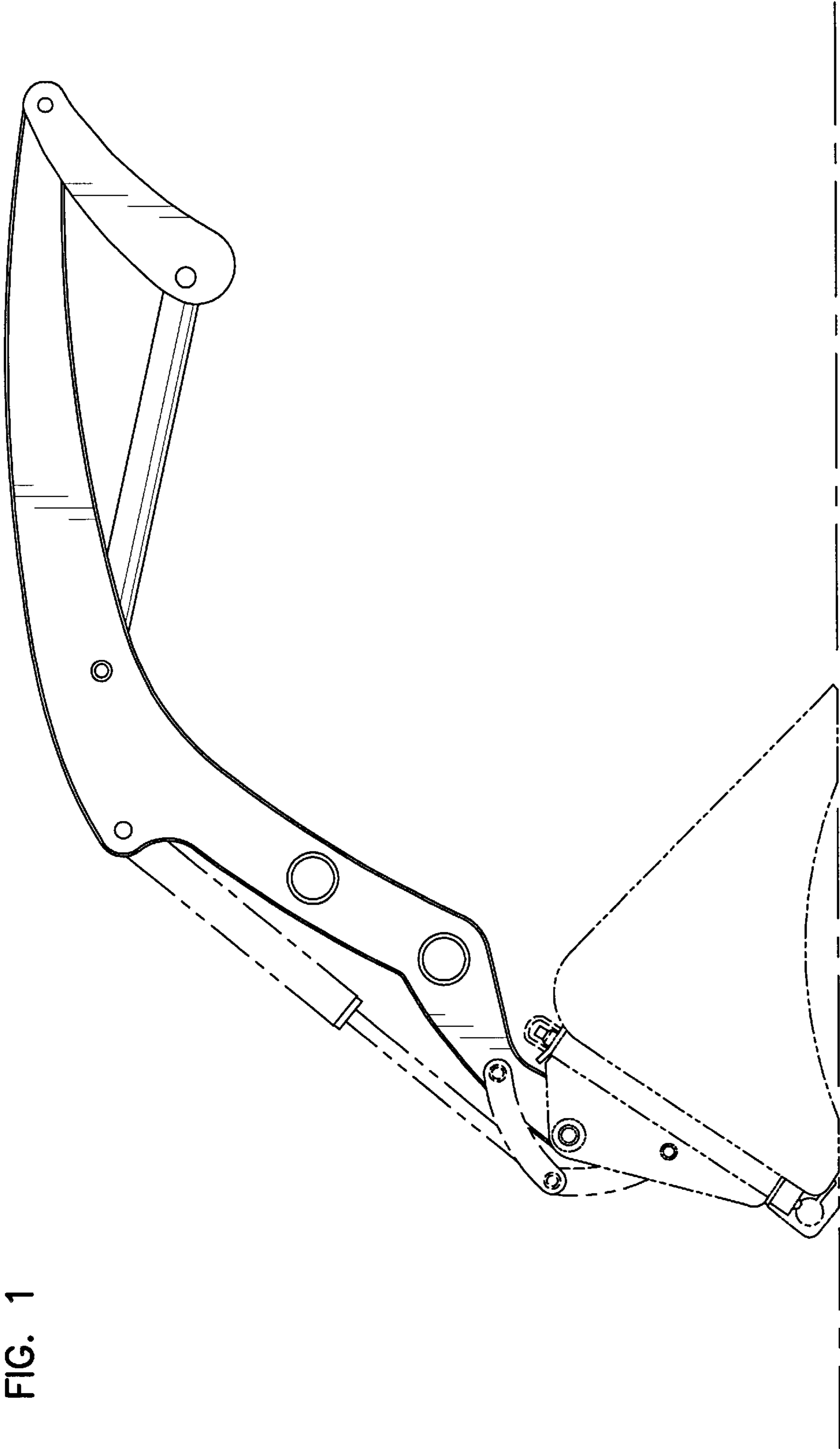


FIG. 1

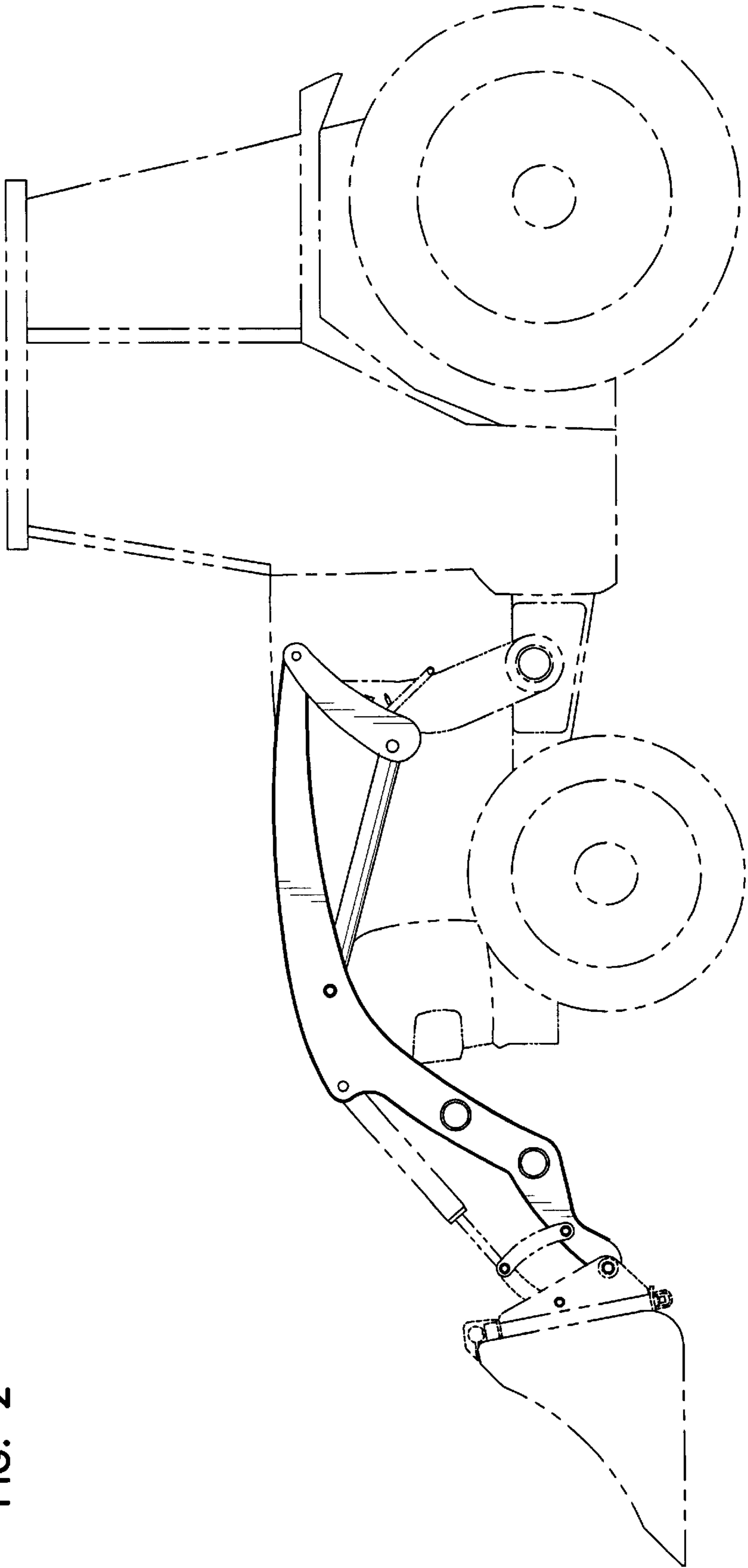


FIG. 2

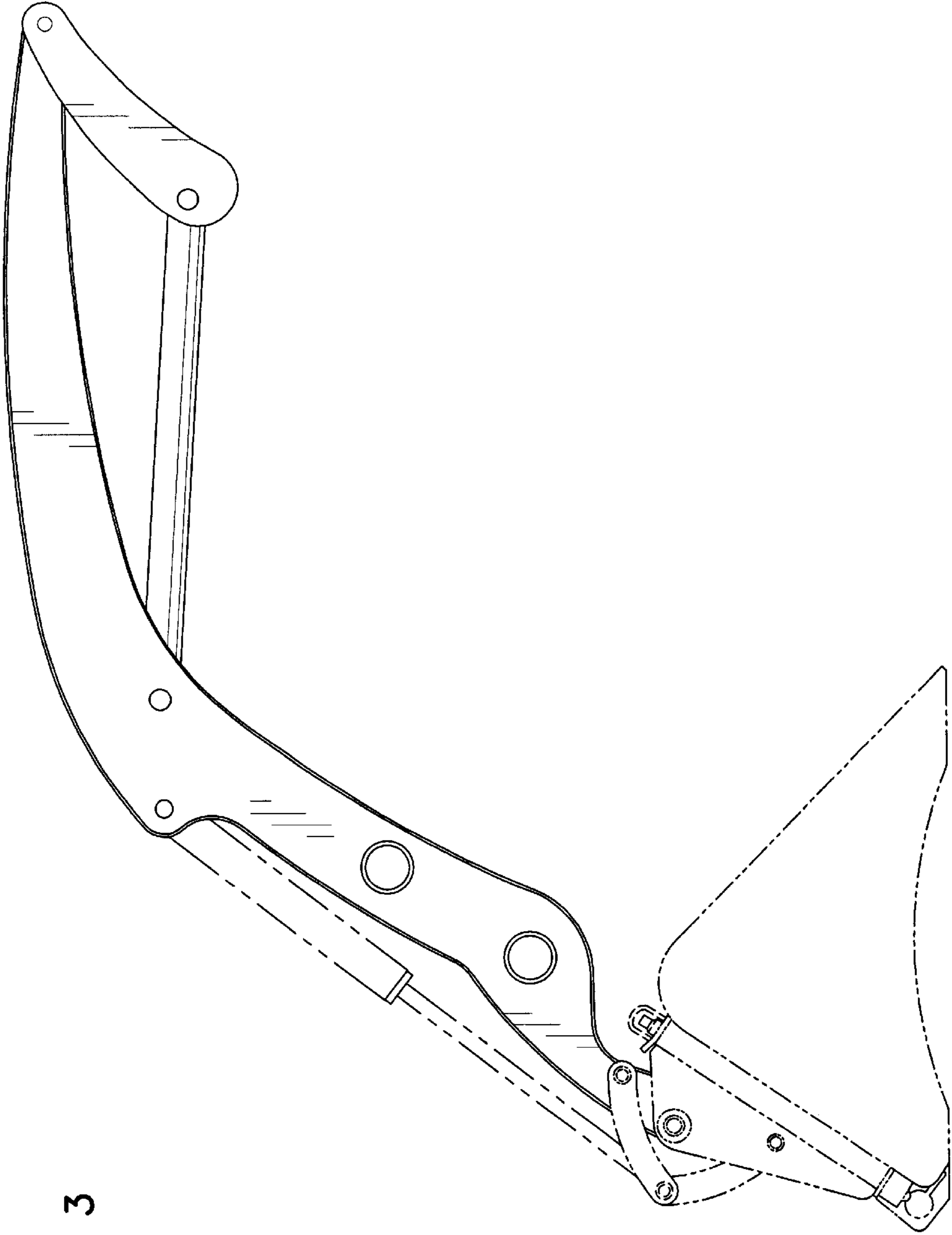


FIG. 3

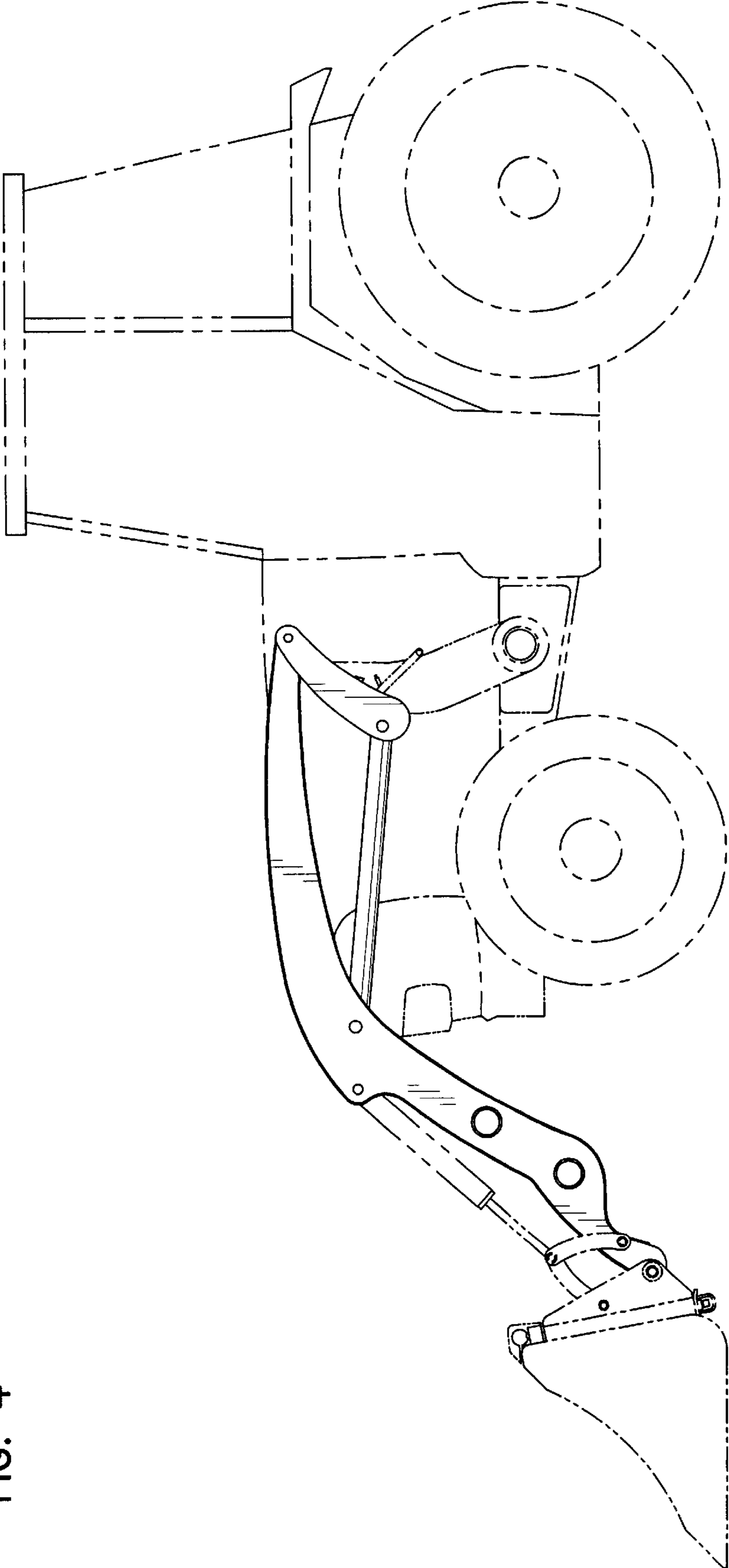


FIG. 4