



US00D518074S

(12) **United States Design Patent**
Yoshida et al.

(10) **Patent No.:** **US D518,074 S**
(45) **Date of Patent:** **** Mar. 28, 2006**

(54) **SPROCKET PART FOR A BULLDOZER**

D476,666 S * 7/2003 Yoshida et al. D15/28
6,652,043 B1 * 11/2003 Oertley 305/137

(75) Inventors: **Tsuyoshi Yoshida**, Osaka (JP); **Teiji Yamamoto**, Osaka (JP); **Shota Murakami**, Osaka (JP); **Kenji Kohriyama**, Osaka (JP)

* cited by examiner

Primary Examiner—Stella Reid
Assistant Examiner—Mark A. Goodwin
(74) *Attorney, Agent, or Firm*—Manabu Kanesaka

(73) Assignee: **Komatsu Ltd.**, Tokyo (JP)

(**) Term: **14 Years**

(57) **CLAIM**

The ornamental design for a sprocket part for a bulldozer, as shown and described.

(21) Appl. No.: **29/218,469**

(22) Filed: **Dec. 3, 2004**

DESCRIPTION

(51) **LOC (8) Cl.** **15-03**

FIG. 1 is a top plan view of a sprocket part for a bulldozer showing our new design;

(52) **U.S. Cl.** **D15/28**

FIG. 2 is a front view thereof;

(58) **Field of Classification Search** D15/10,

FIG. 3 is a bottom view thereof;

D15/23–28; D12/604; 152/209, 523; 180/9.1;
305/185–187, 199, 7, 31, 54, 19, 137; 474/152,
474/162

FIG. 4 a right side view thereof, a left side view being symmetrical to the right side view;

See application file for complete search history.

FIG. 5 is a rear view thereof;

FIG. 6 is a perspective view thereof;

(56) **References Cited**

U.S. PATENT DOCUMENTS

4,950,211 A * 8/1990 James 474/152

6,540,630 B1 * 4/2003 Oertley 474/162

D476,342 S * 6/2003 Yoshida et al. D15/28

FIG. 7 is a sectional view thereof taken along line 7—7 in FIG. 2; and,

FIG. 8 is a sectional view thereof taken along line 8—8 in FIG. 2.

1 Claim, 4 Drawing Sheets

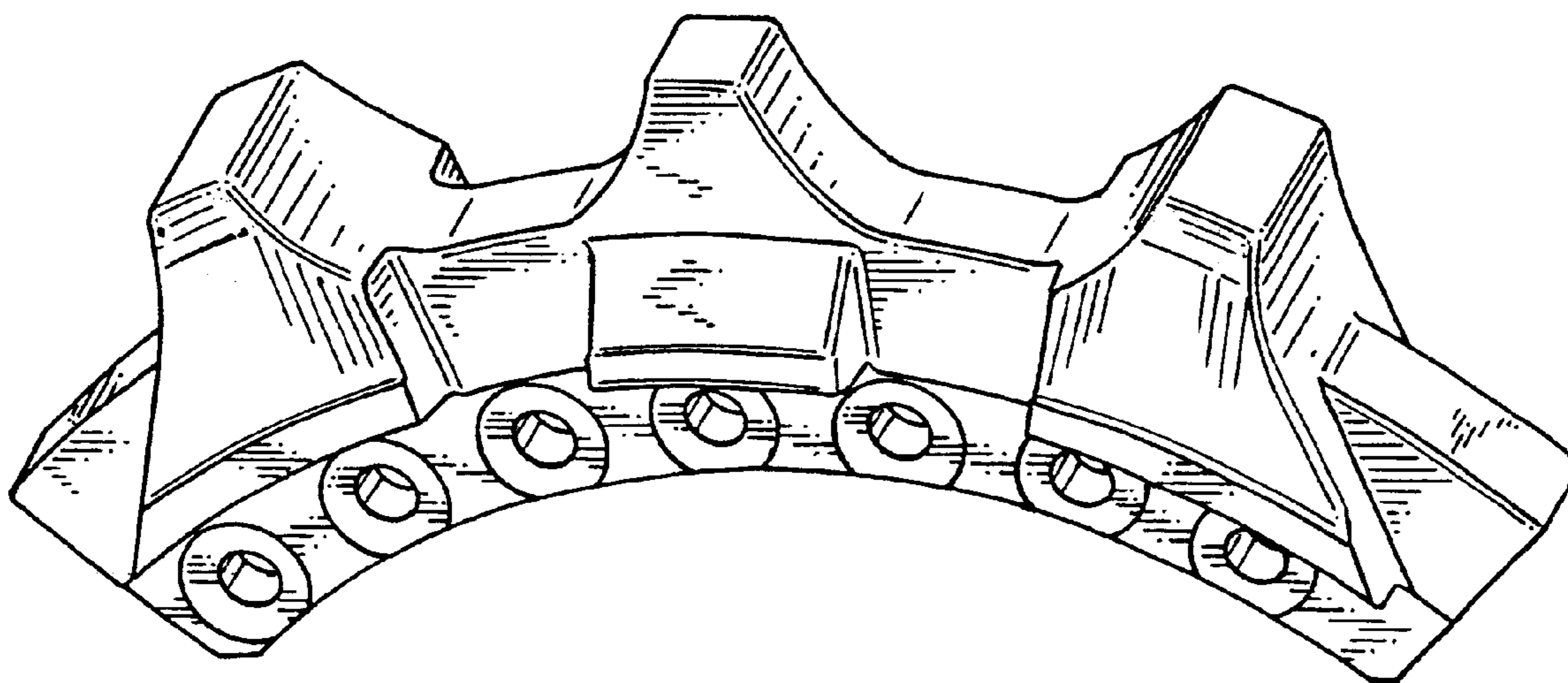


Fig. 1

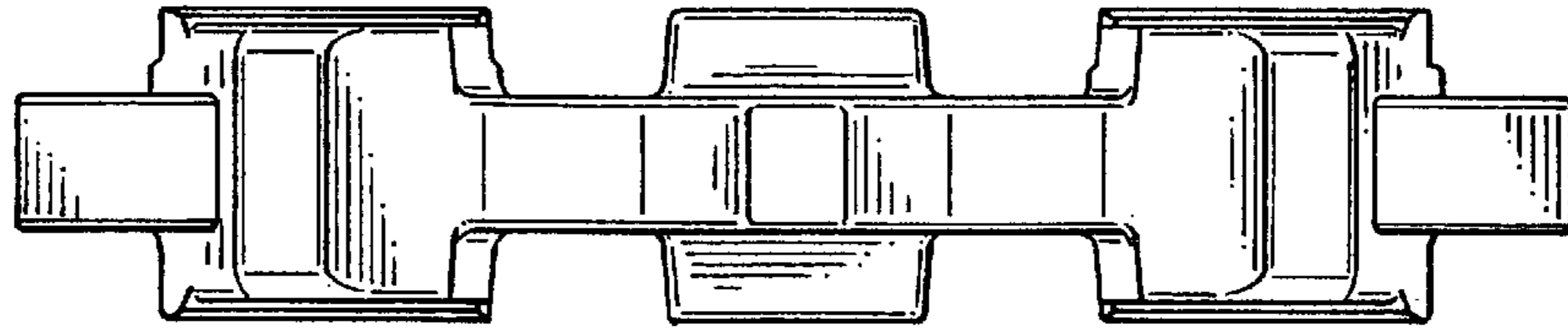


Fig. 2

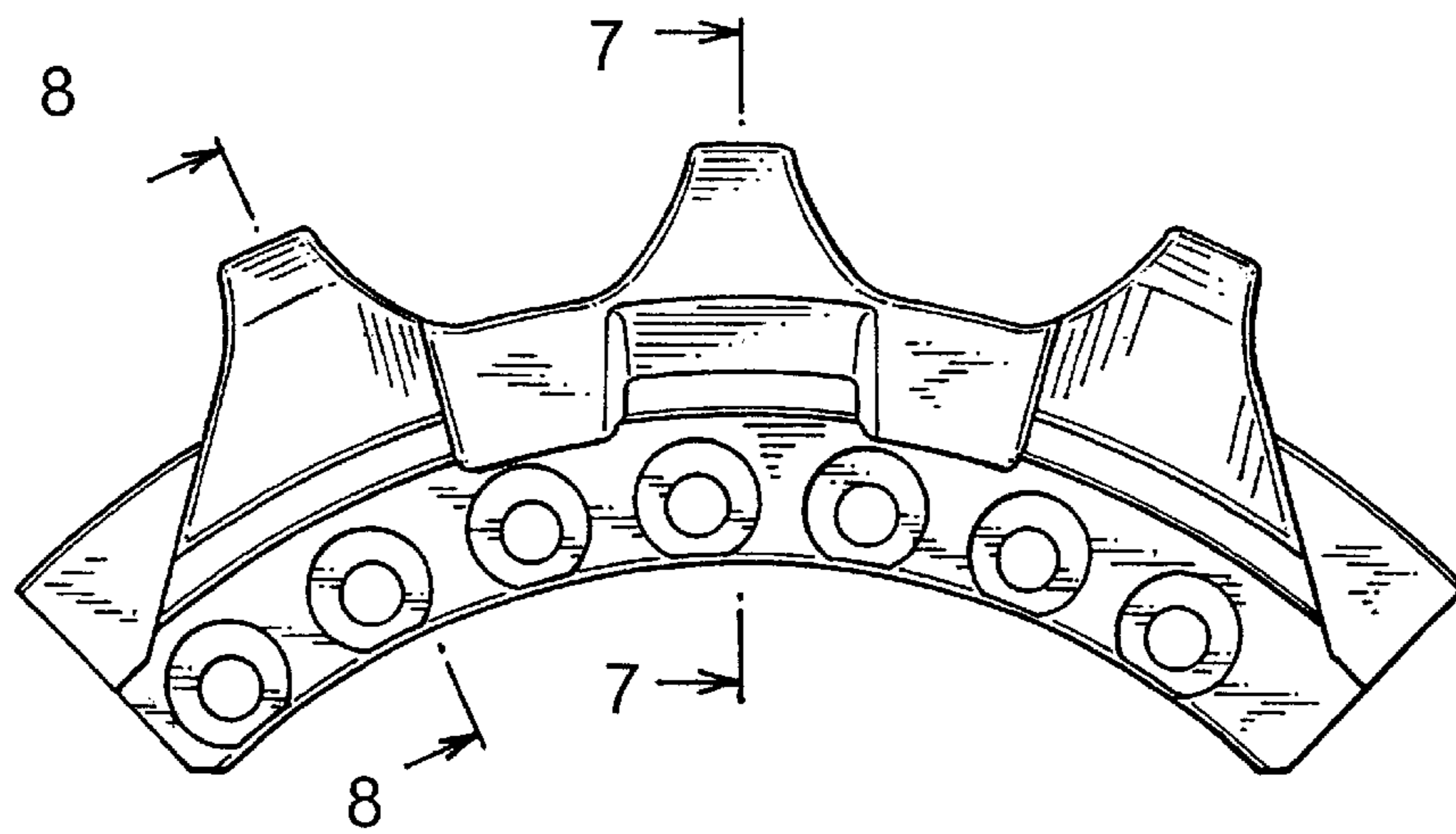


Fig. 3

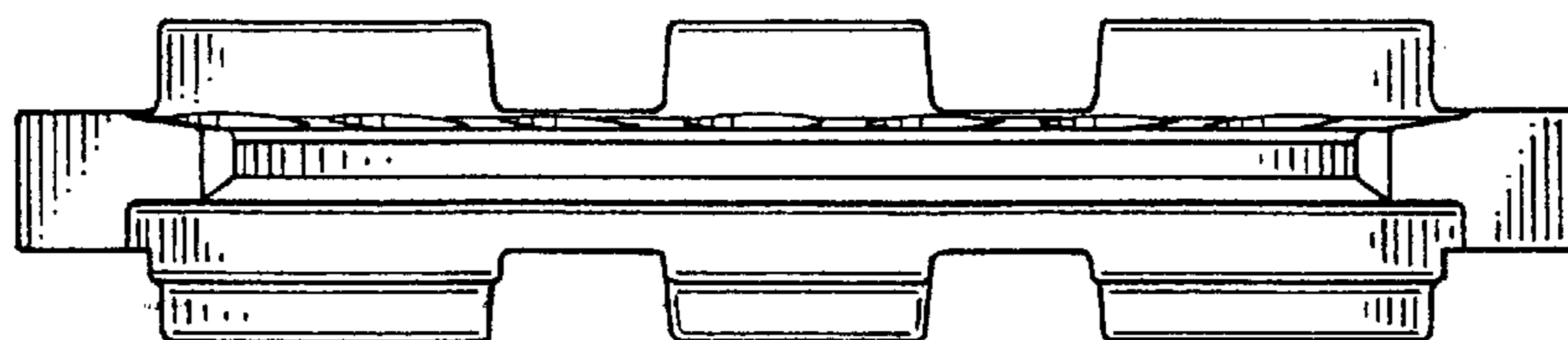


Fig. 4

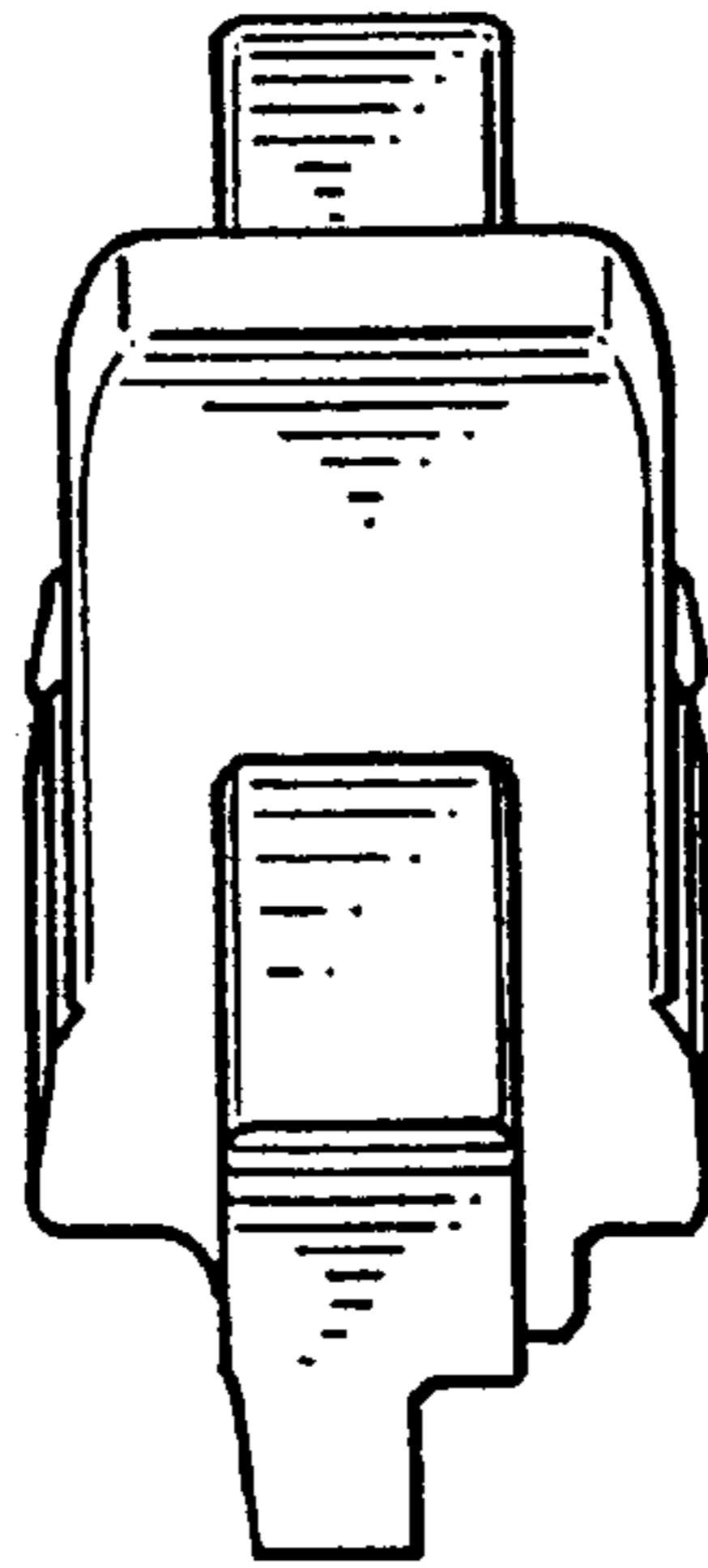


Fig. 5

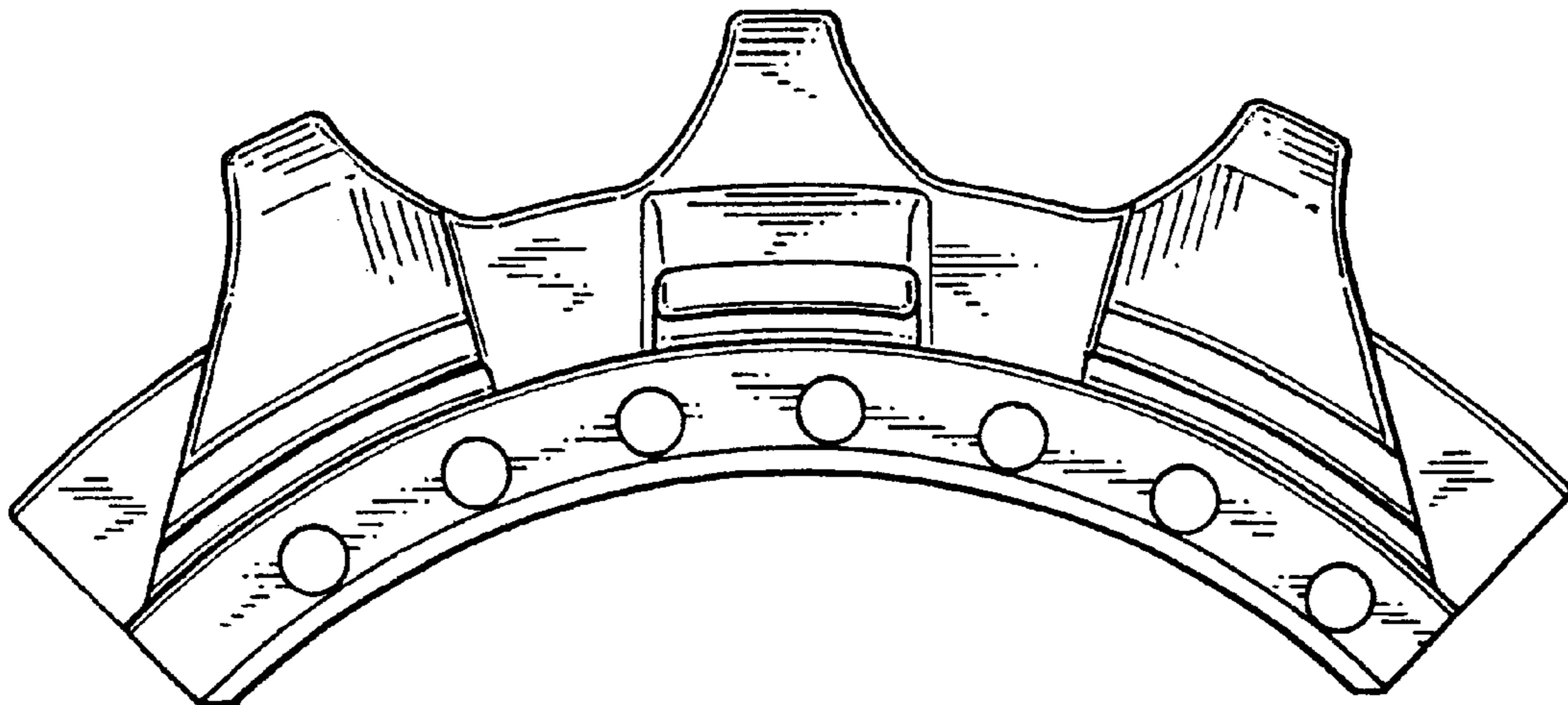


Fig. 6

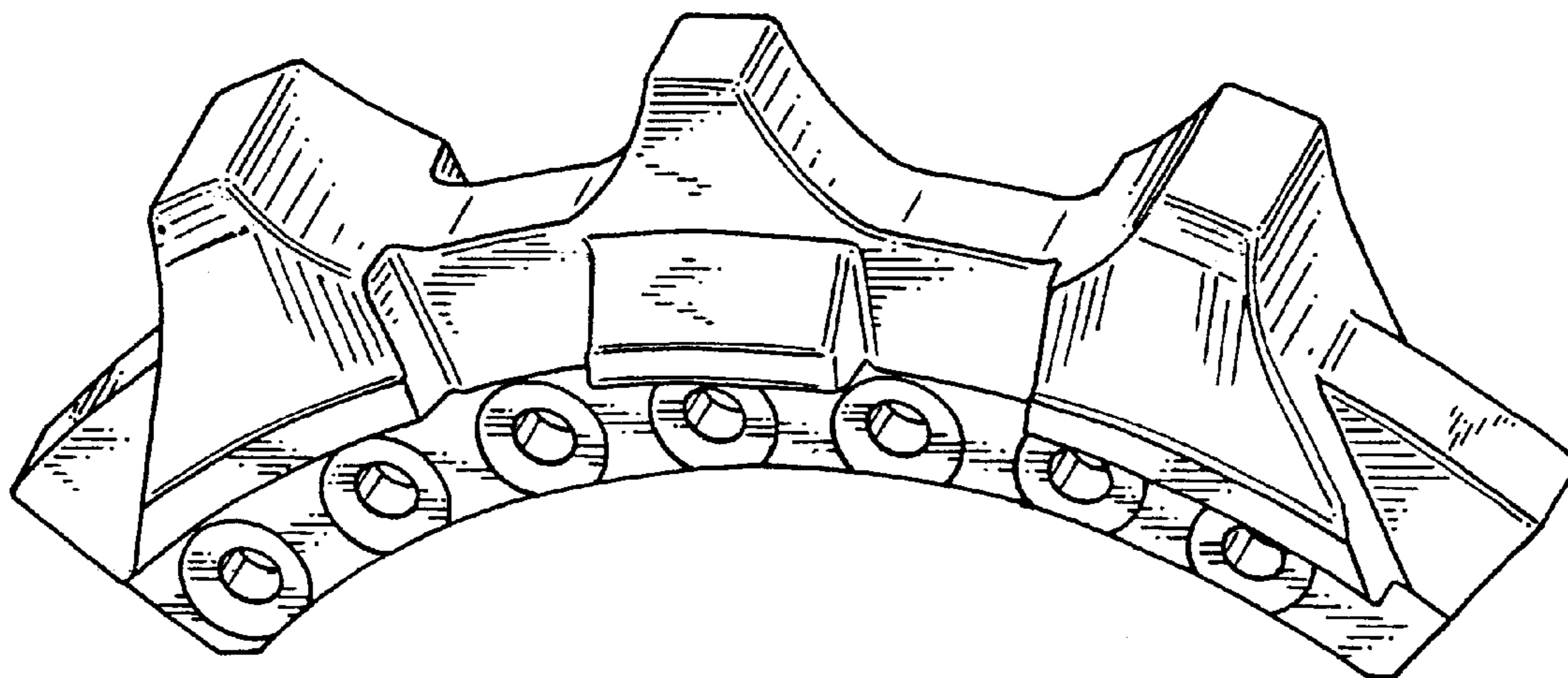


Fig. 7

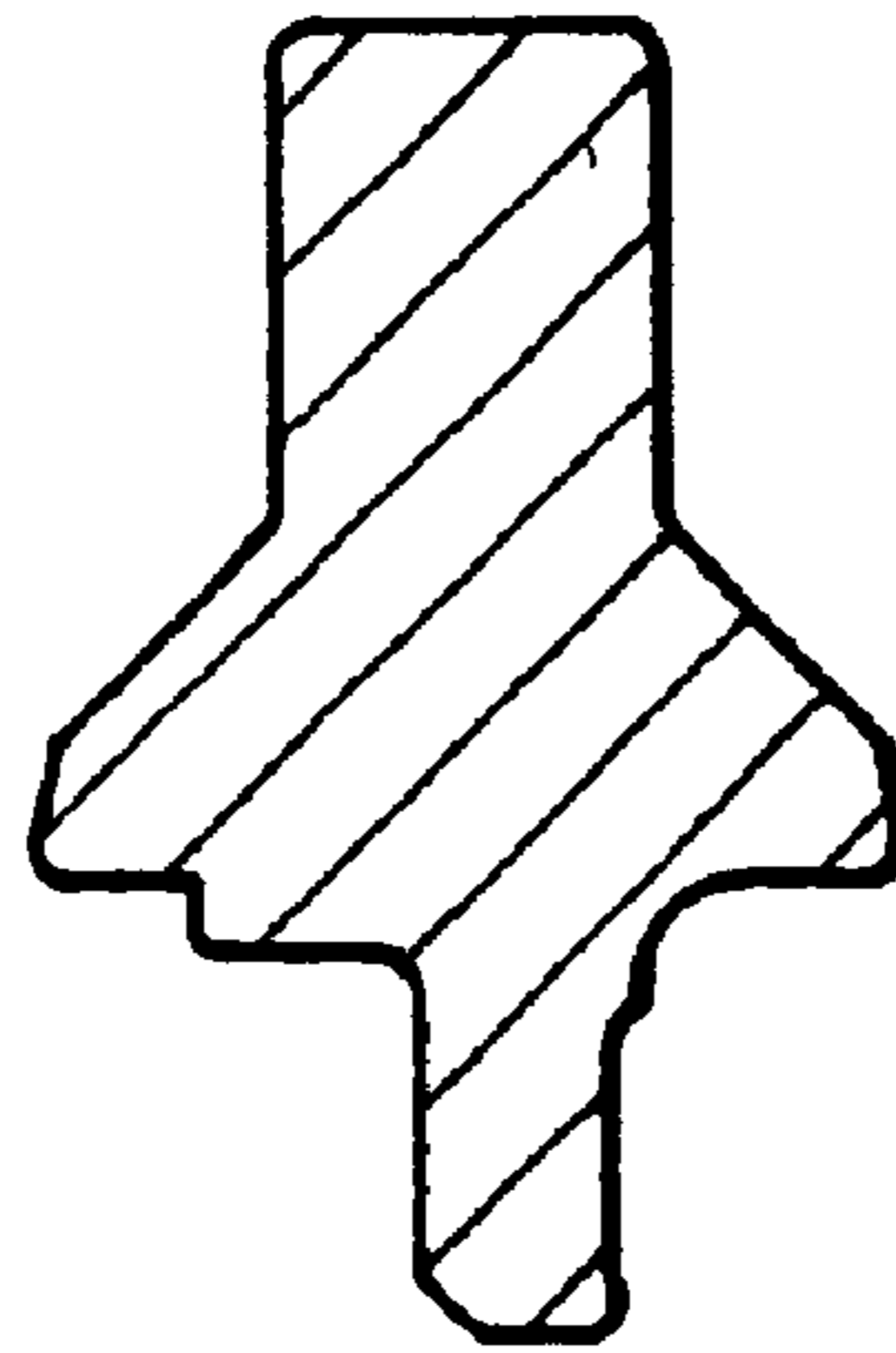


Fig. 8

