



US00D518073S

(12) **United States Design Patent**
Hamilton

(10) **Patent No.:** **US D518,073 S**
(45) **Date of Patent:** **** Mar. 28, 2006**

(54) **COMPACTOR HANDLE**

(75) Inventor: **Jamie Hamilton**, Omagh (IE)

(73) Assignee: **Belle Engineering (Sheen) Limited**,
Buxton (GB)

(**) Term: **14 Years**

(21) Appl. No.: **29/210,008**

(22) Filed: **Jul. 23, 2004**

(30) **Foreign Application Priority Data**

Jan. 23, 2004 (EM) 000132659

(51) **LOC (8) Cl.** **15-03**

(52) **U.S. Cl.** **D15/28**

(58) **Field of Classification Search** D15/10,
D15/20, 22, 28, 147; 56/11.3, DIG. 18; 173/162.2;
404/133.1, 113, 117, 133.05; 172/699
See application file for complete search history.

(56) **References Cited**

U.S. PATENT DOCUMENTS

D227,166	S	*	6/1973	Briggs et al.	D15/20
D227,598	S	*	7/1973	Maass	D15/20
3,782,845	A	*	1/1974	Briggs et al.	404/133.1
3,814,533	A	*	6/1974	Buck	404/133.1
4,113,403	A	*	9/1978	Tertinek et al.	404/113
4,609,055	A	*	9/1986	Grafstrom et al.	173/162.2
4,643,611	A	*	2/1987	Pilachowski	404/133.1

4,895,478	A	*	1/1990	Artzberger	404/133.1
D393,864	S	*	4/1998	Waldenberger et al.	D15/20
6,267,532	B1	*	7/2001	Persson	404/133.1
6,588,977	B1	*	7/2003	Stayner	404/133.1
2001/0002967	A1	*	6/2001	Hedlund	404/133.05
2003/0175078	A1	*	9/2003	Sina et al.	404/133.1

* cited by examiner

Primary Examiner—Stella Reid

Assistant Examiner—Mark A. Goodwin

(74) *Attorney, Agent, or Firm*—Bracewell & Giuliani LLP

(57) **CLAIM**

The ornamental design for a compactor handle, as shown and described.

DESCRIPTION

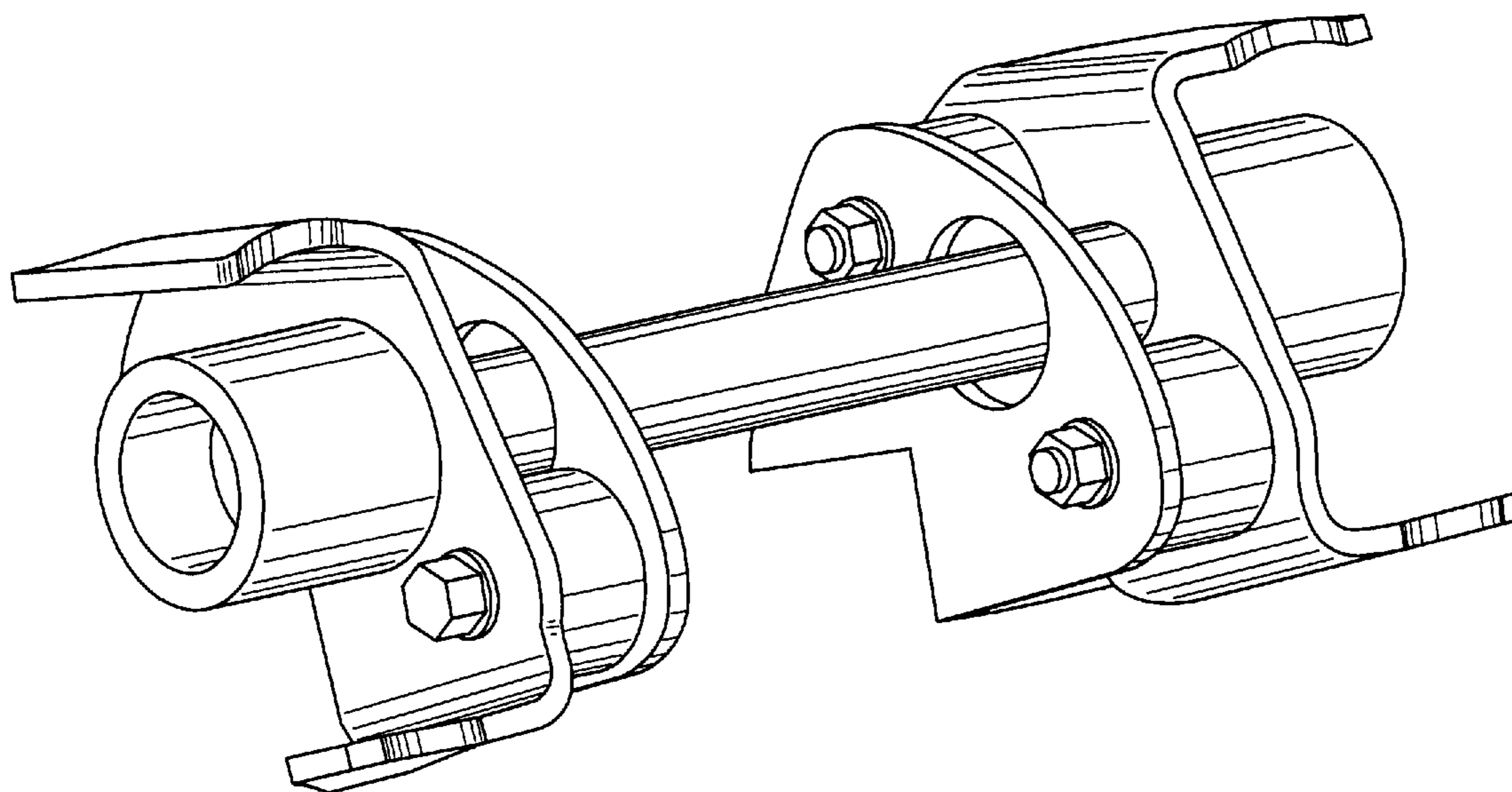
FIG. 1 is a perspective view of a compactor handle showing our new design, the broken line showing of the compactor in FIG. 1 is for illustrative purposes only and forms no part of the claimed design;

FIG. 2 is a perspective view thereof on an enlarged scale; FIG. 3 is a left side view with the opposite side being a mirror image thereof;

FIG. 4 is a fragmented left perspective view as seen in FIG. 2 with the opposite side being a mirror image thereof;

FIG. 5 is a fragmented left perspective view as seen in FIG. 6 with the opposite side being a mirror image thereof; and, FIG. 6 is a perspective view thereof on a reduced scale.

1 Claim, 4 Drawing Sheets



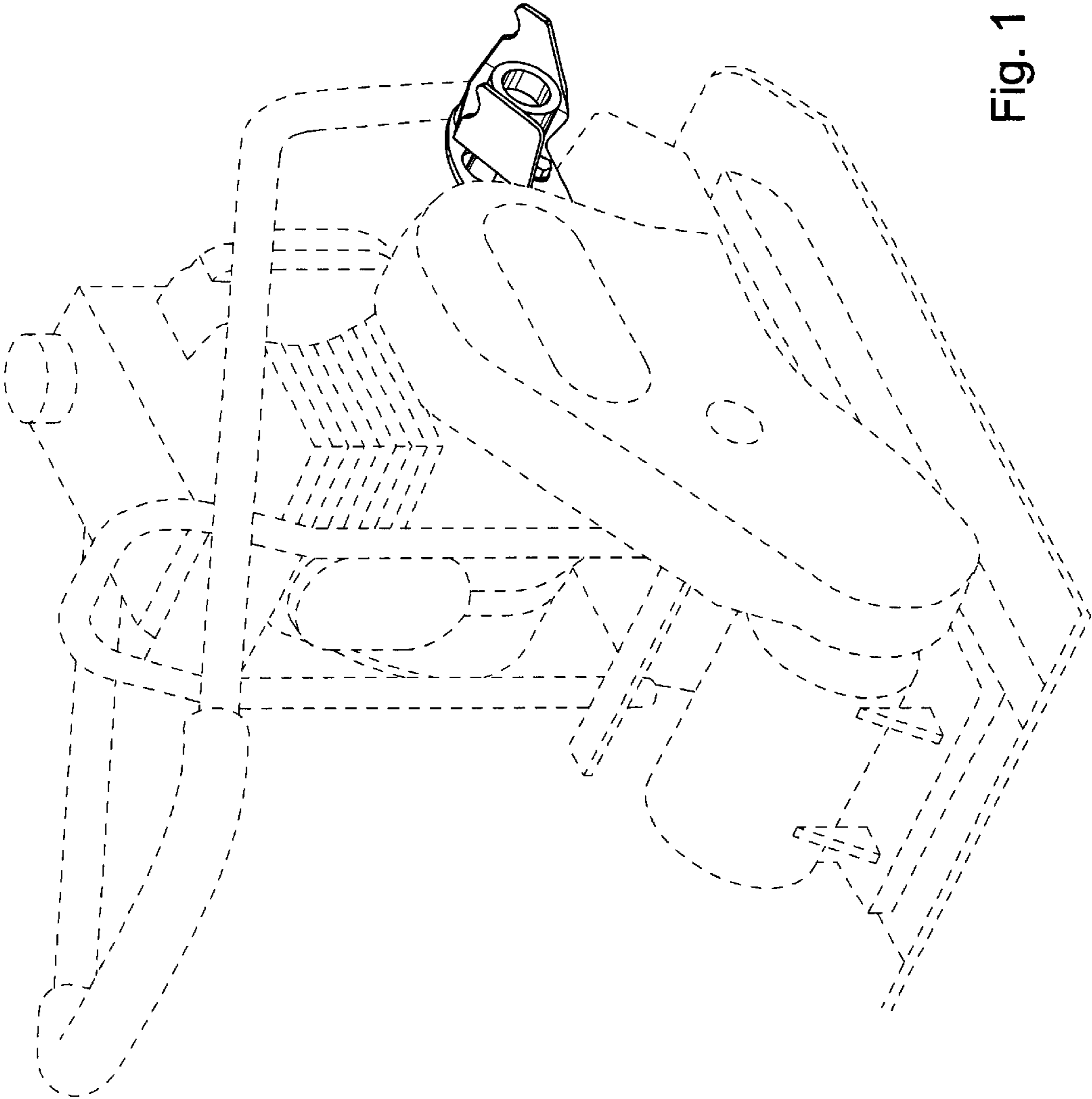


Fig. 1

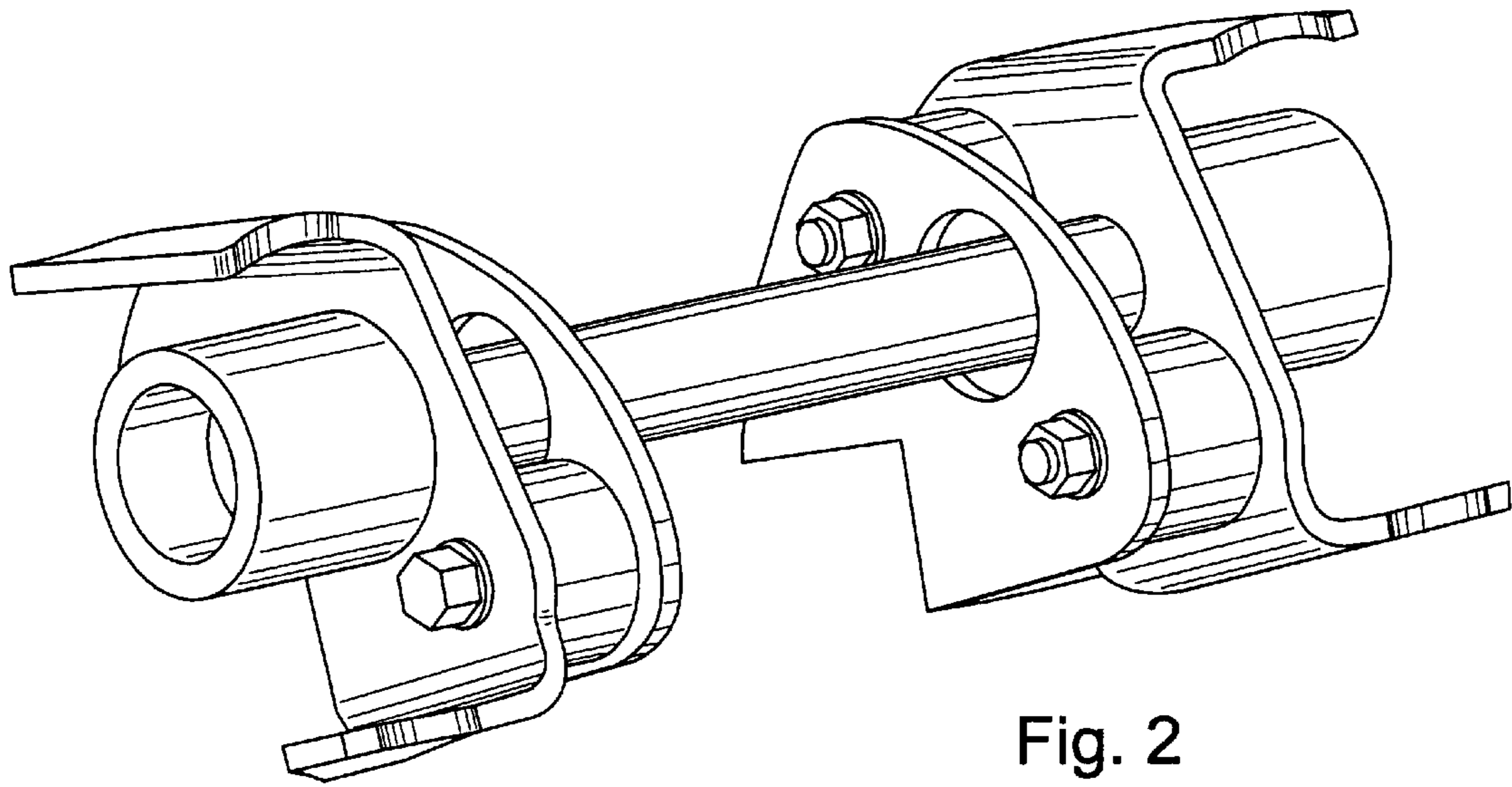


Fig. 2

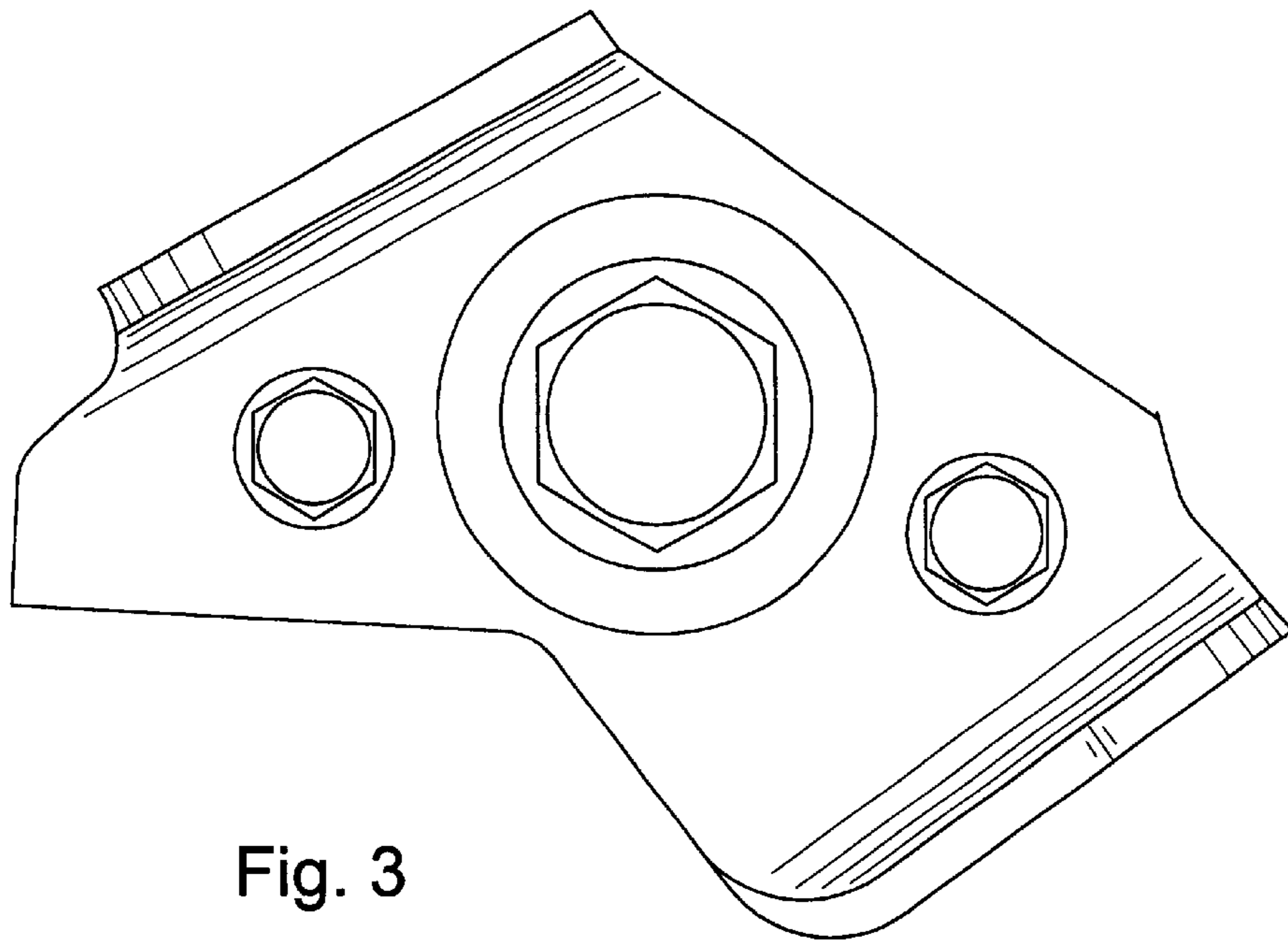


Fig. 3

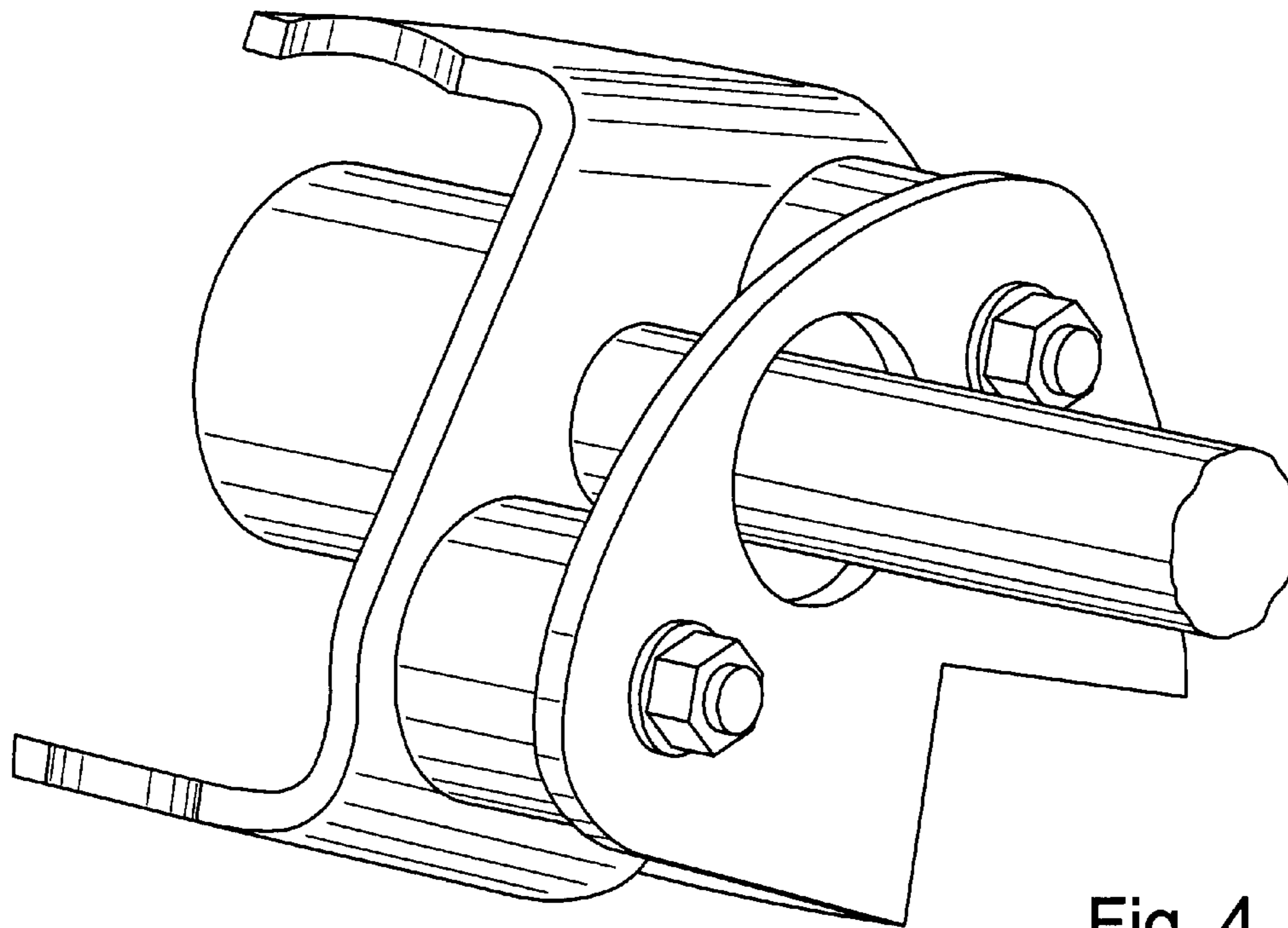


Fig. 4

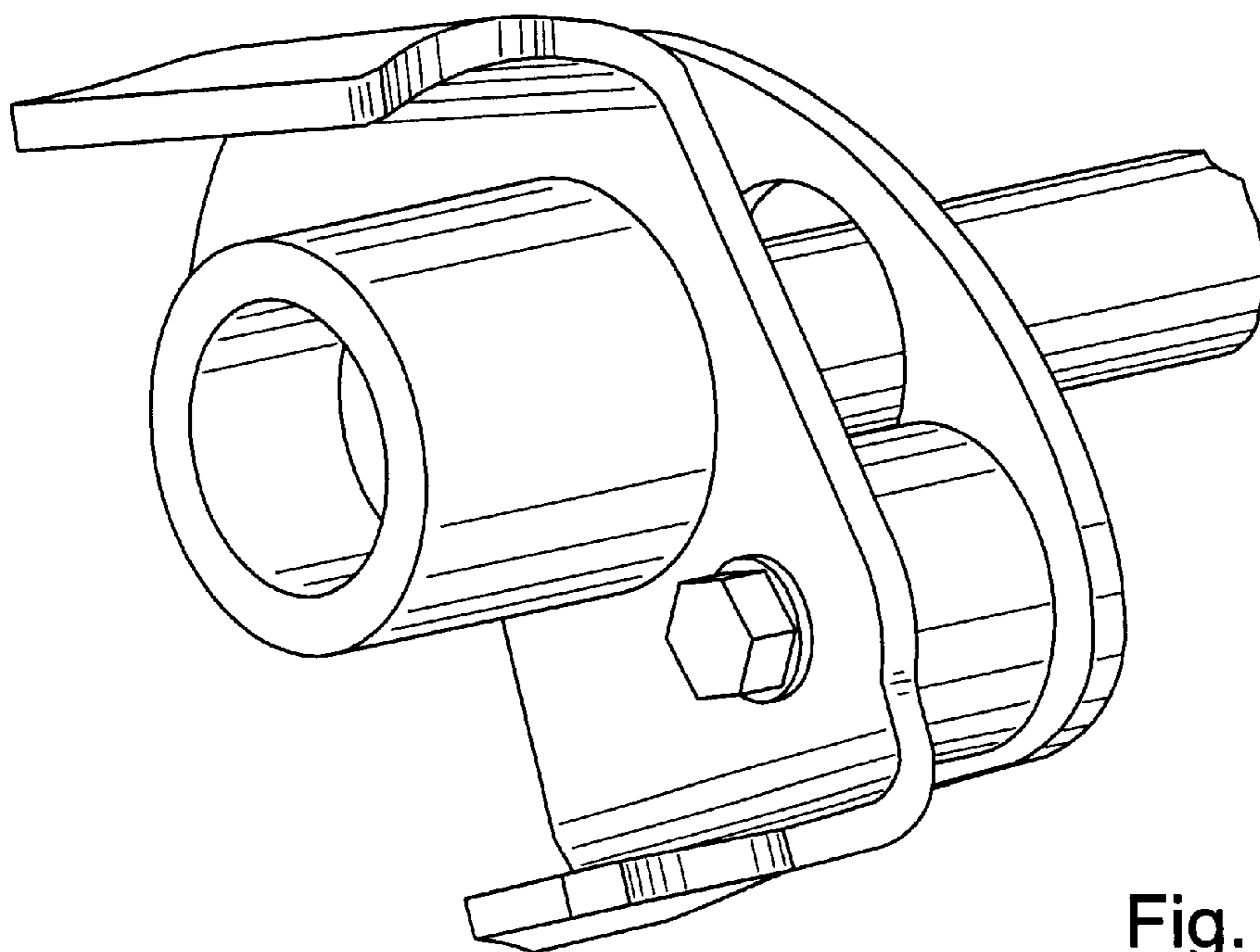


Fig. 5

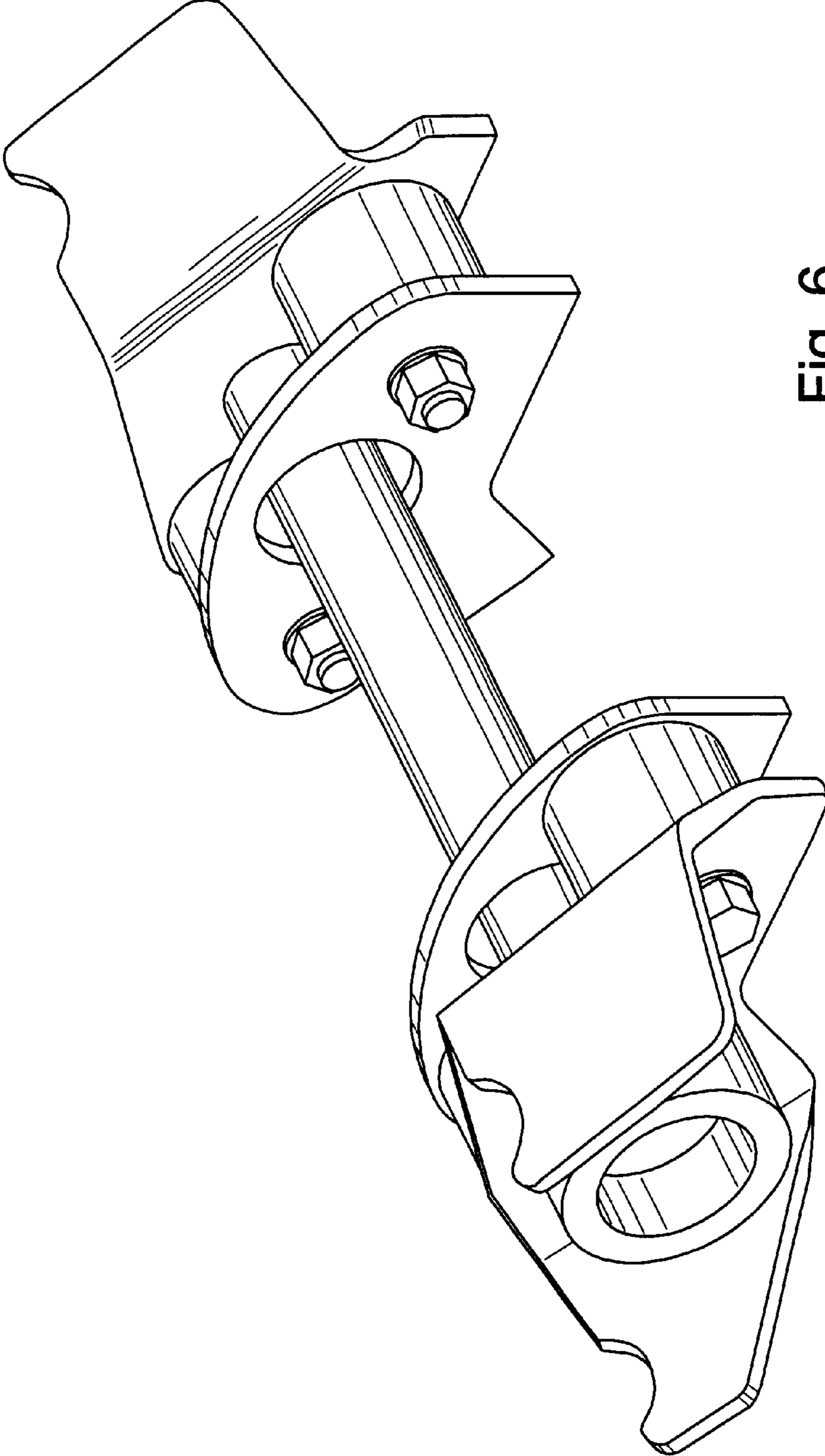


Fig. 6