

US00D518072S

(12) **United States Design Patent**  
**Maruyama**

(10) **Patent No.:** **US D518,072 S**  
(45) **Date of Patent:** **\*\* Mar. 28, 2006**

(54) **TRAVELING WORKING MACHINE**

(75) Inventor: **Katsuya Maruyama, Akashi (JP)**

(73) Assignee: **Kobelco Construction Machinery Co., Ltd., Hiroshima (JP)**

(\*\*) Term: **14 Years**

(21) Appl. No.: **29/223,213**

(22) Filed: **Feb. 11, 2005**

**Related U.S. Application Data**

(62) Division of application No. 29/190,727, filed on Sep. 26, 2003.

(30) **Foreign Application Priority Data**

Mar. 26, 2003	(JP)	.....	2003-8226
Mar. 26, 2003	(JP)	.....	2003-8227
Mar. 26, 2003	(JP)	.....	2003-8228
Mar. 26, 2003	(JP)	.....	2003-8229
Mar. 26, 2003	(JP)	.....	2003-8230
Mar. 26, 2003	(JP)	.....	2003-8231
Mar. 26, 2003	(JP)	.....	2003-8232

(51) **LOC (8) Cl.** ..... **15-03**

(52) **U.S. Cl.** ..... **D15/26**

(58) **Field of Classification Search** ..... D15/10,  
D15/22-26; 175/52, 85, 22, 23, 28; 180/89.1,  
180/89.12, 900; 414/592, 618, 633, 680,  
414/785, 694; 172/456, 474  
See application file for complete search history.

(56) **References Cited**

**U.S. PATENT DOCUMENTS**

D221,573 S 8/1971 Ashton

D264,590 S	5/1982	Thomas
5,266,001 A	11/1993	Kanayama et al.
5,423,655 A	6/1995	Kanayama et al.
D366,489 S	1/1996	Brown
5,535,688 A	7/1996	Kaufman

**OTHER PUBLICATIONS**

U.S. Appl. No. 29/223,209, filed Feb. 11, 2005, Maruyama.  
U.S. Appl. No. 29/223,212, filed Feb. 11, 2005, Maruyama.  
U.S. Appl. No. 29/223,213, filed Feb. 11, 2005, Maruyama.

*Primary Examiner*—Mitchell Siegel

(74) *Attorney, Agent, or Firm*—Oblon, Spivak, McClelland, Maier & Neustadt, P.C.

(57) **CLAIM**

The ornamental design for a traveling working machine, as shown and described.

**DESCRIPTION**

FIG. 1 is a front elevational view of the traveling working machine;

FIG. 2 is a rear elevational view thereof;

FIG. 3 is a left side elevational view thereof;

FIG. 4 is a right side elevational view thereof;

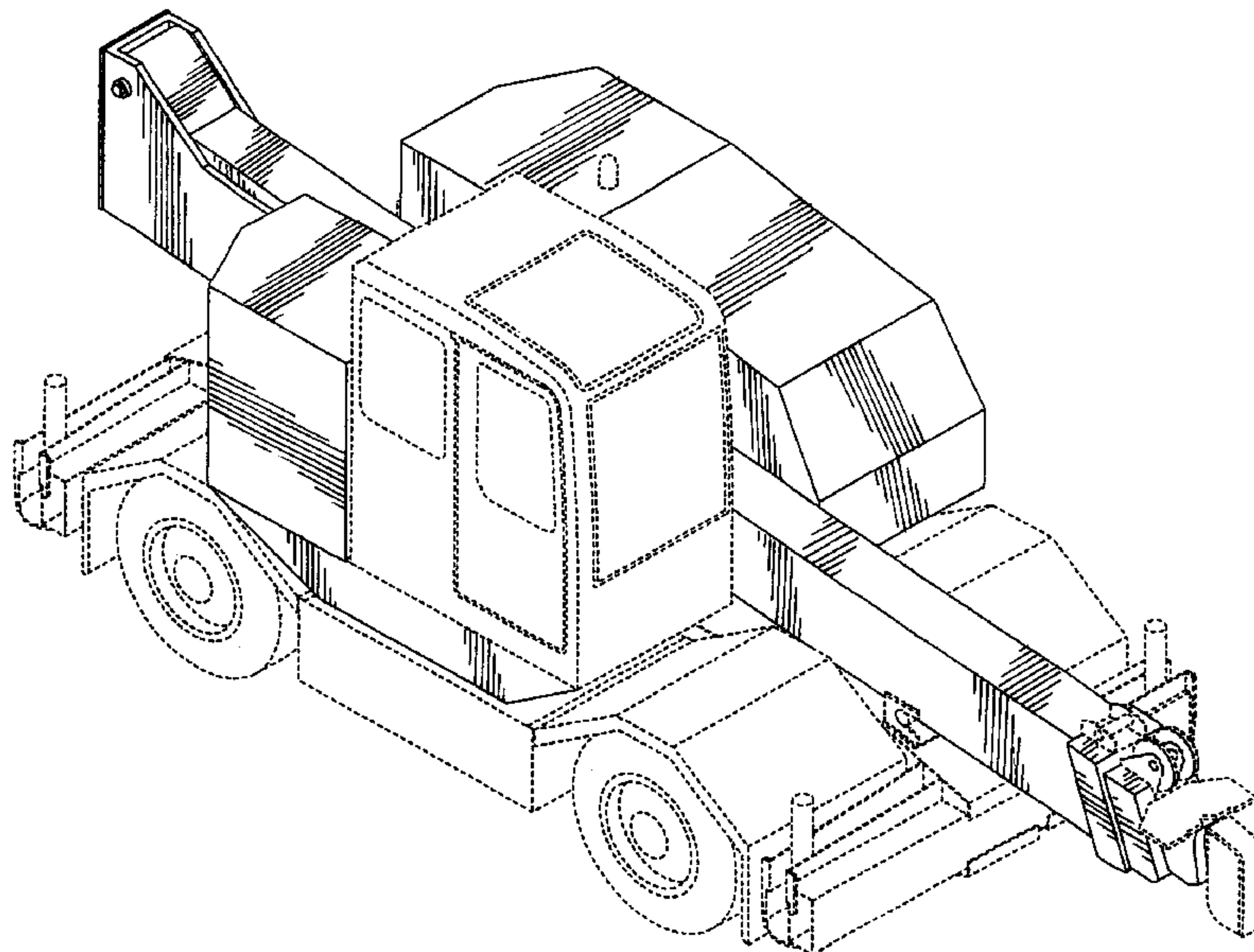
FIG. 5 is a top plan view thereof;

FIG. 6 is a bottom plan view thereof; and,

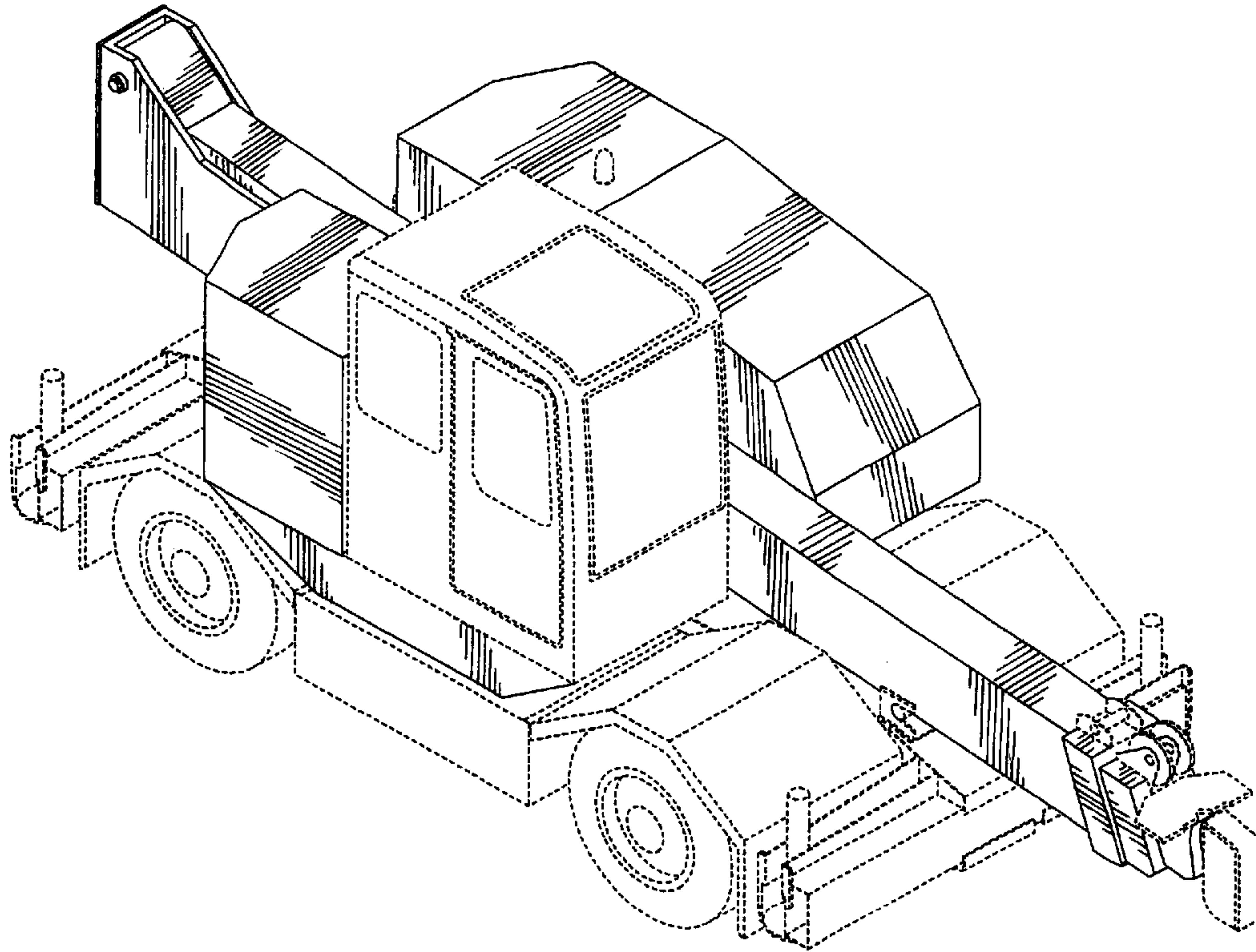
FIG. 7 is a top, rear and left side perspective view thereof.

The phantom lines shown form no part of the claimed invention.

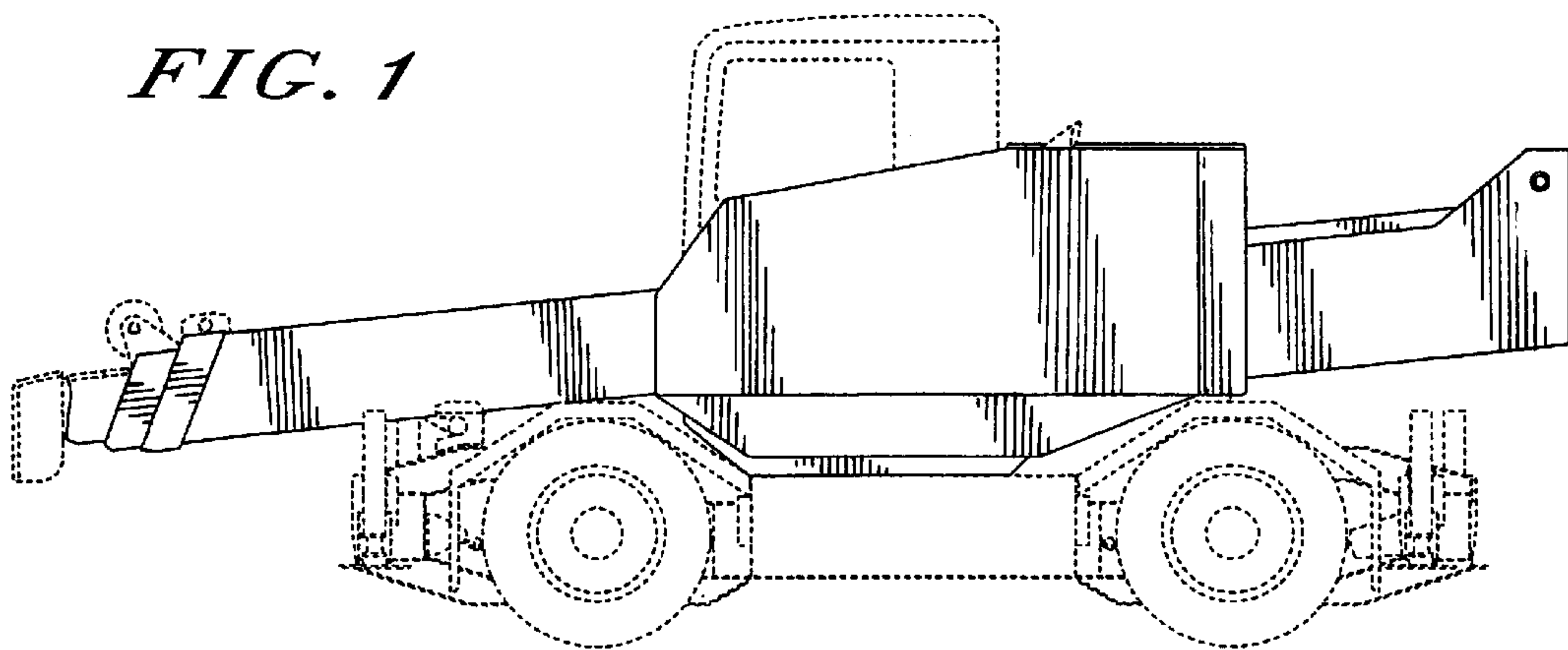
**1 Claim, 3 Drawing Sheets**

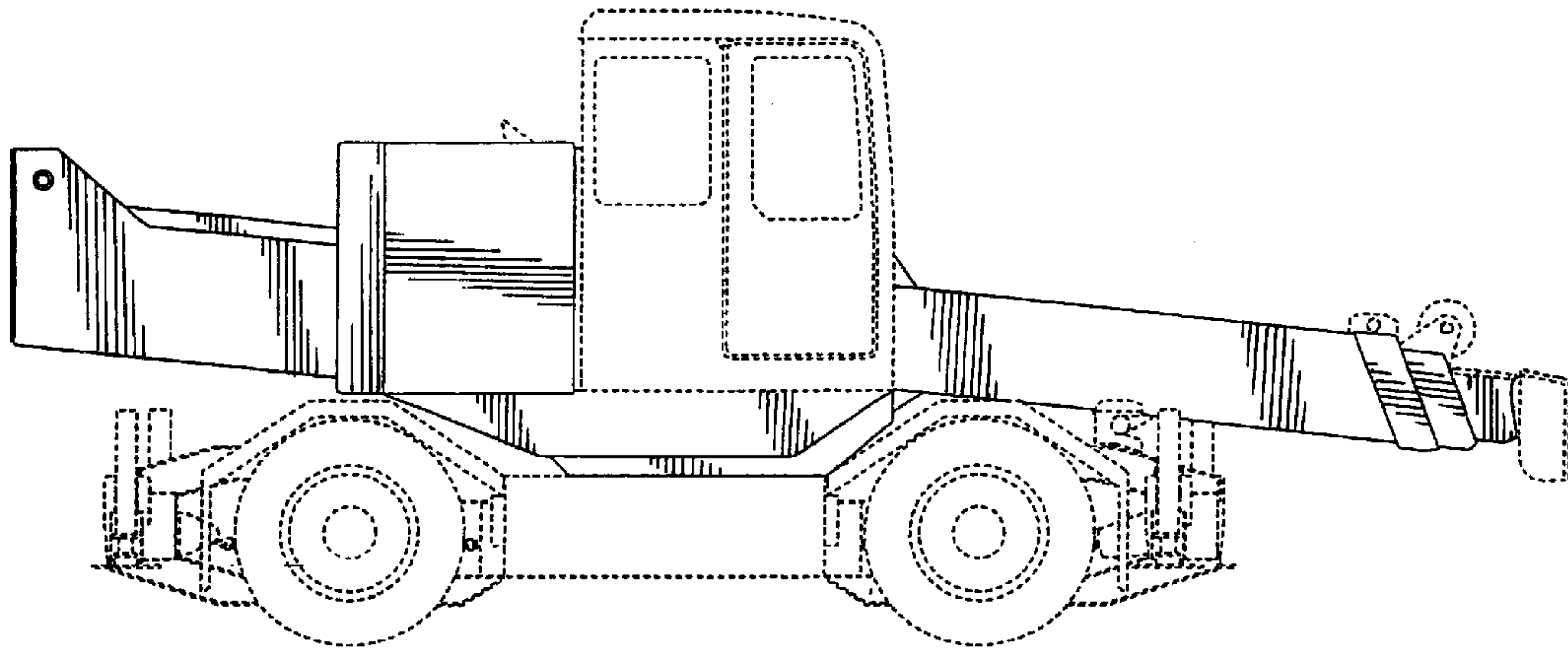


*FIG. 7*

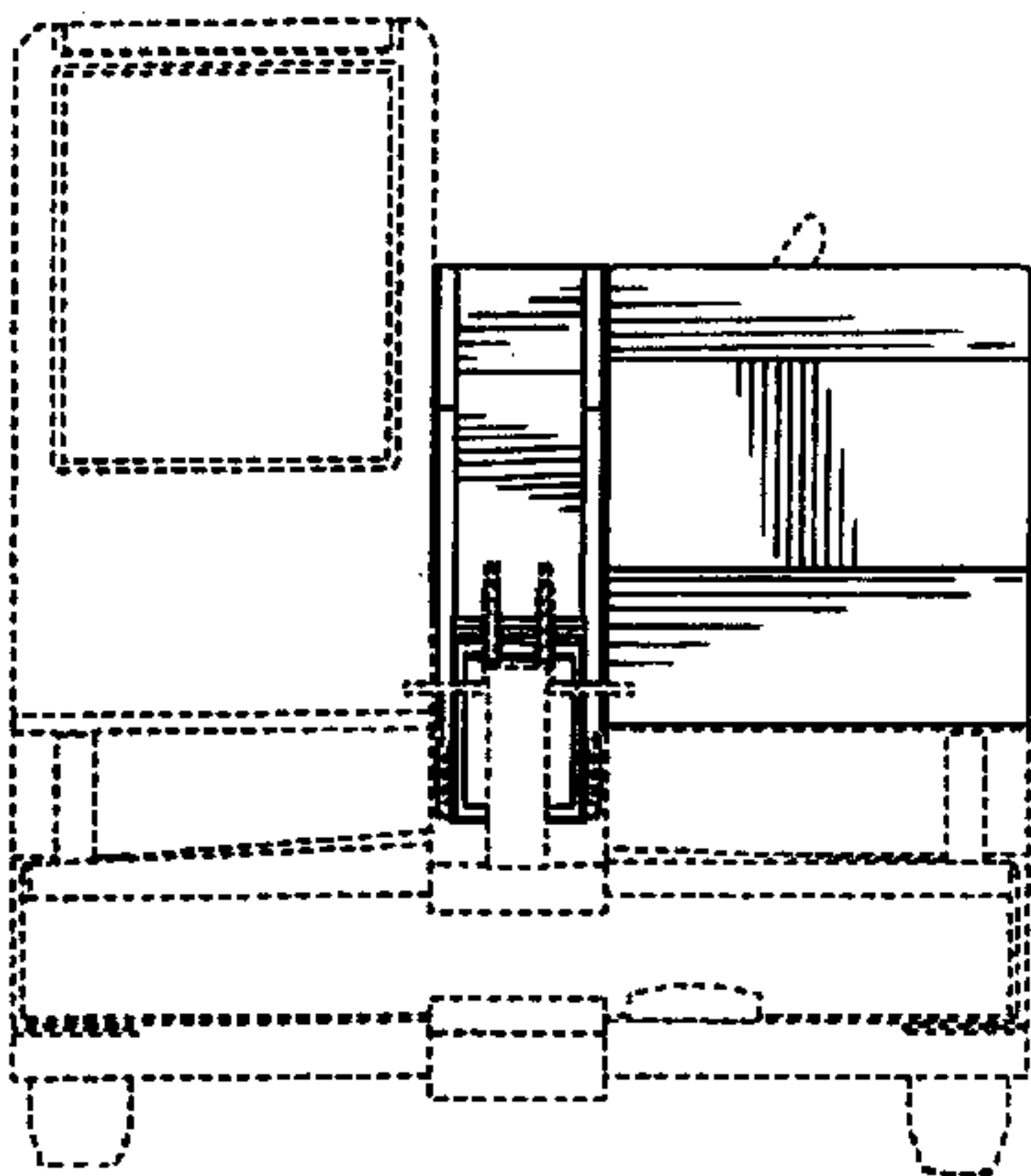


*FIG. 1*

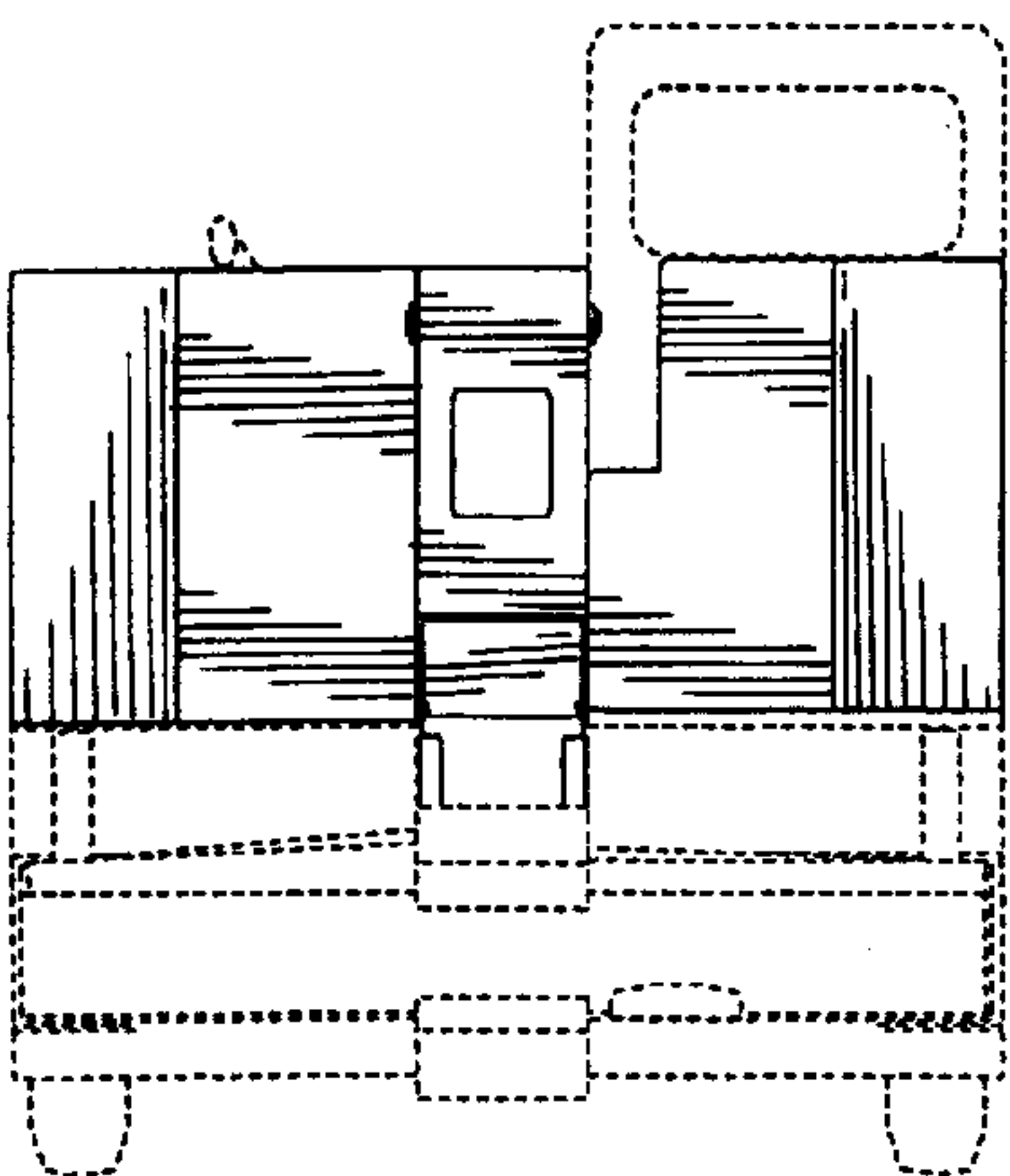




*FIG. 2*

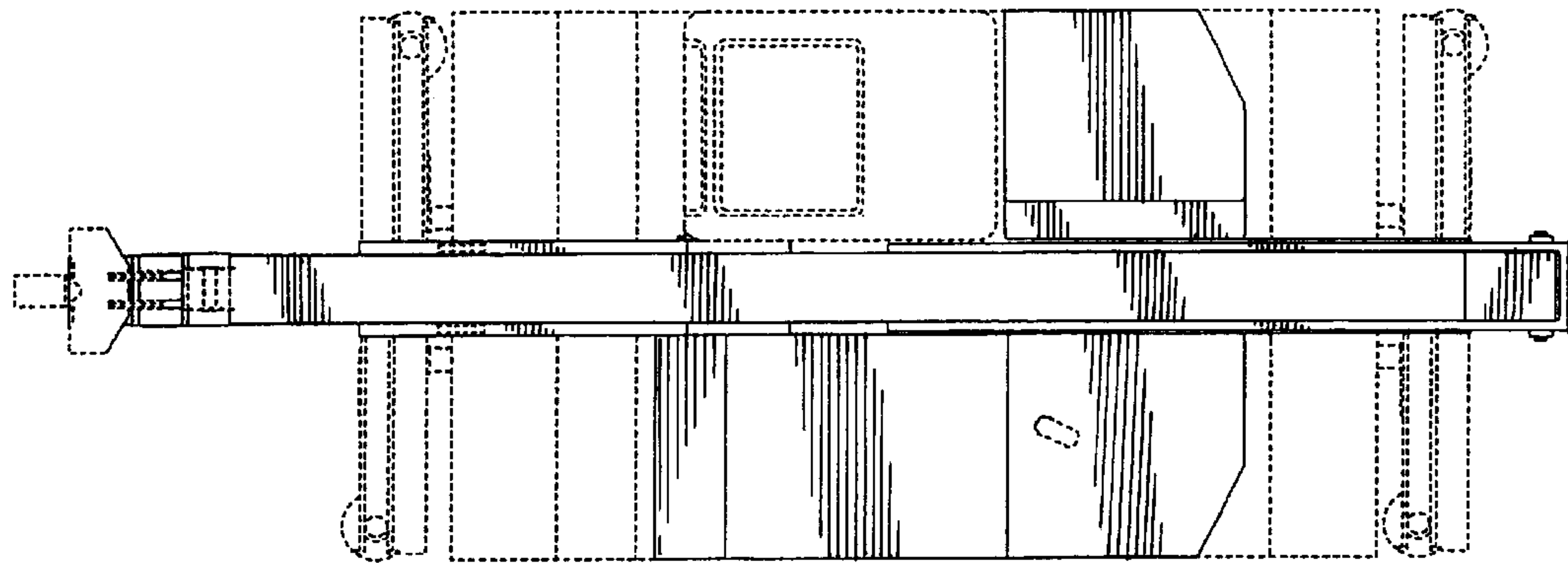


*FIG. 3*

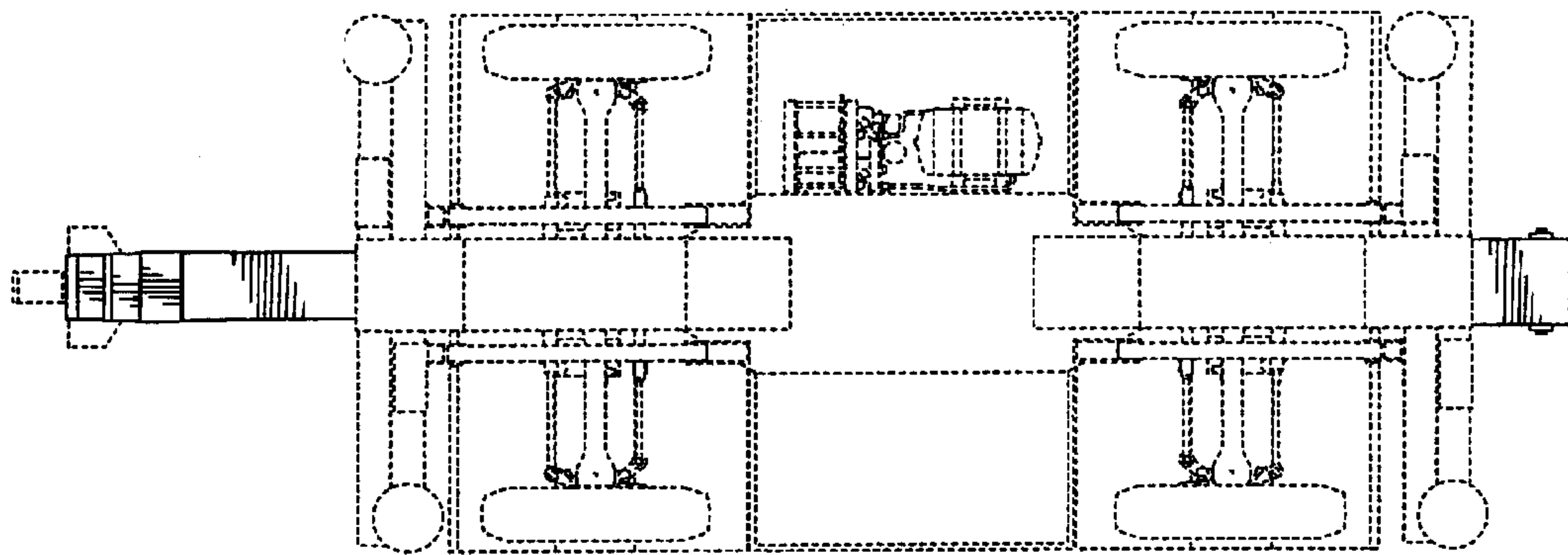


*FIG. 4*





*FIG. 5*



*FIG. 6*