

US00D518071S

(12) **United States Design Patent**  
**Gwak et al.**

(10) **Patent No.:** **US D518,071 S**  
(45) **Date of Patent:** **\*\* Mar. 28, 2006**

(54) **EXCAVATOR**

(75) Inventors: **Jung Gun Gwak**, Changwon (KR);  
**Hak Shin Kim**, Masan (KR)

(73) Assignee: **Volvo Construction Equipment**  
**Holding Sweden AB**, Eskilstuna (SE)

(\*\*) Term: **14 Years**

(21) Appl. No.: **29/223,005**

(22) Filed: **Feb. 7, 2005**

(30) **Foreign Application Priority Data**

Nov. 4, 2004 (KR) ..... 30-2004-0033735

(51) **LOC (8) Cl.** ..... **12-09**

(52) **U.S. Cl.** ..... **D15/25; D15/24**

(58) **Field of Classification Search** ..... D15/23-25,  
D15/28, 30, 32, 10; 180/9.1, 9.2, 89.12, 139,  
180/235, 9.62, 14 R; 414/694, 699, 722-724  
See application file for complete search history.

(56) **References Cited**

**U.S. PATENT DOCUMENTS**

- D273,384 S \* 4/1984 Nasu et al. .... D15/24
- D338,019 S \* 8/1993 Bhambra ..... D15/25
- D354,497 S \* 1/1995 Kusunoki et al. .... D15/25
- D406,152 S \* 2/1999 Miyaoka et al. .... D15/25
- D409,629 S \* 5/1999 Miyaoka et al. .... D15/25
- D431,253 S \* 9/2000 Marchetta et al. .... D15/25
- D436,605 S \* 1/2001 Shaw et al. .... D15/30

- D440,235 S \* 4/2001 Kuwae et al. .... D15/25
- D450,067 S \* 11/2001 Murakami et al. .... D15/25
- D450,331 S \* 11/2001 Murakami et al. .... D15/25
- D450,717 S \* 11/2001 Muraro ..... D15/25
- D458,941 S \* 6/2002 Miyanishi et al. .... D15/25
- D460,974 S \* 7/2002 Murakami et al. .... D15/25
- D473,571 S \* 4/2003 Kuwae et al. .... D15/25
- D508,498 S \* 8/2005 Shimokakiuchi et al. .... D15/24

\* cited by examiner

*Primary Examiner*—Stella Reid

*Assistant Examiner*—Mark A. Goodwin

(74) *Attorney, Agent, or Firm*—Ladas and Parry LLP

(57) **CLAIM**

The ornamental design for an excavator, as shown and described.

**DESCRIPTION**

FIG. 1 is a perspective view of an excavator according to my new design;  
 FIG. 2 is a front view of an excavator according to my new design;  
 FIG. 3 is a rear view of an excavator according to my new design;  
 FIG. 4 is a left side view of an excavator according to my new design;  
 FIG. 5 is a right side view of an excavator according to my new design; and,  
 FIG. 6 is a plan view of an excavator according to my new design.

**1 Claim, 6 Drawing Sheets**

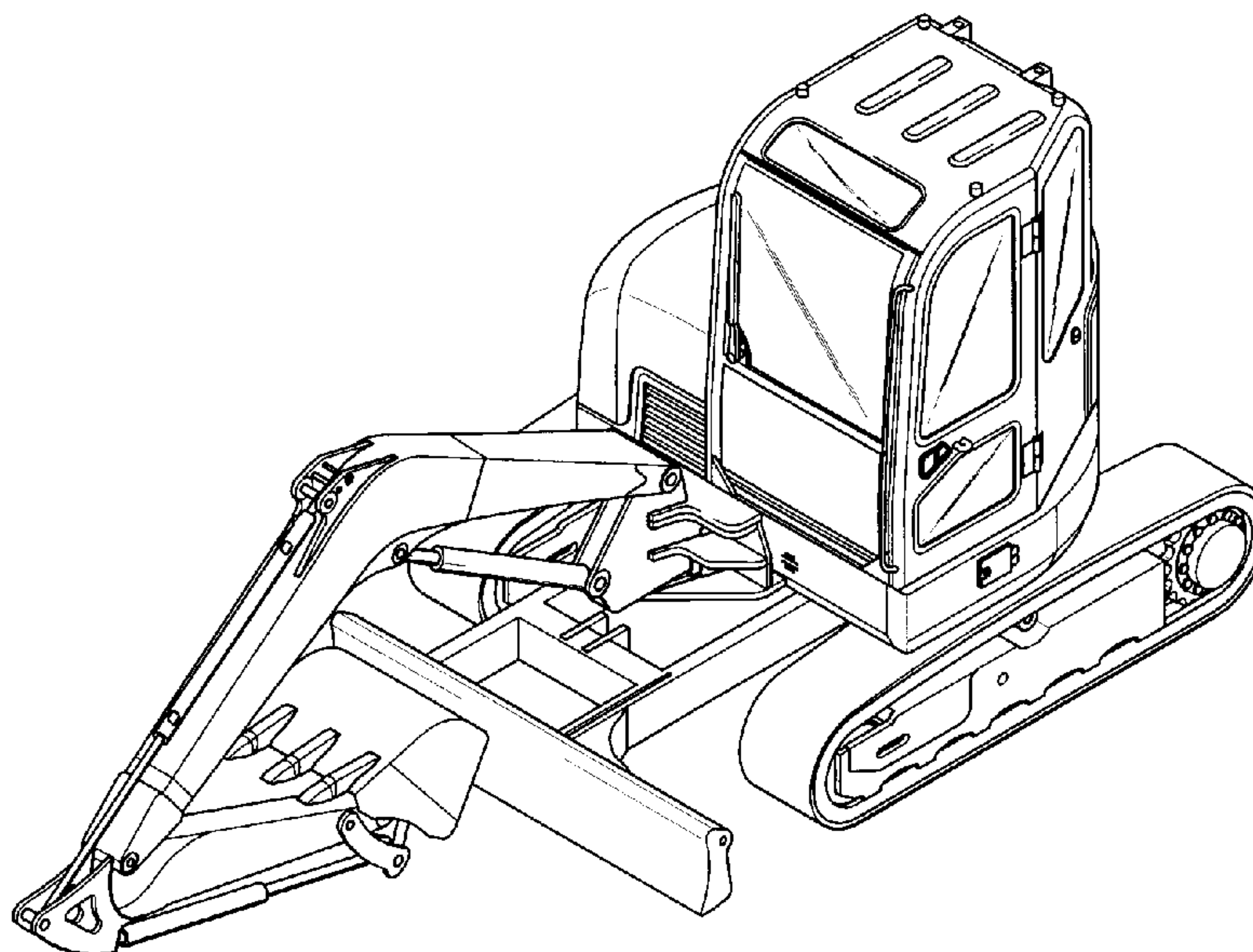


Fig.1

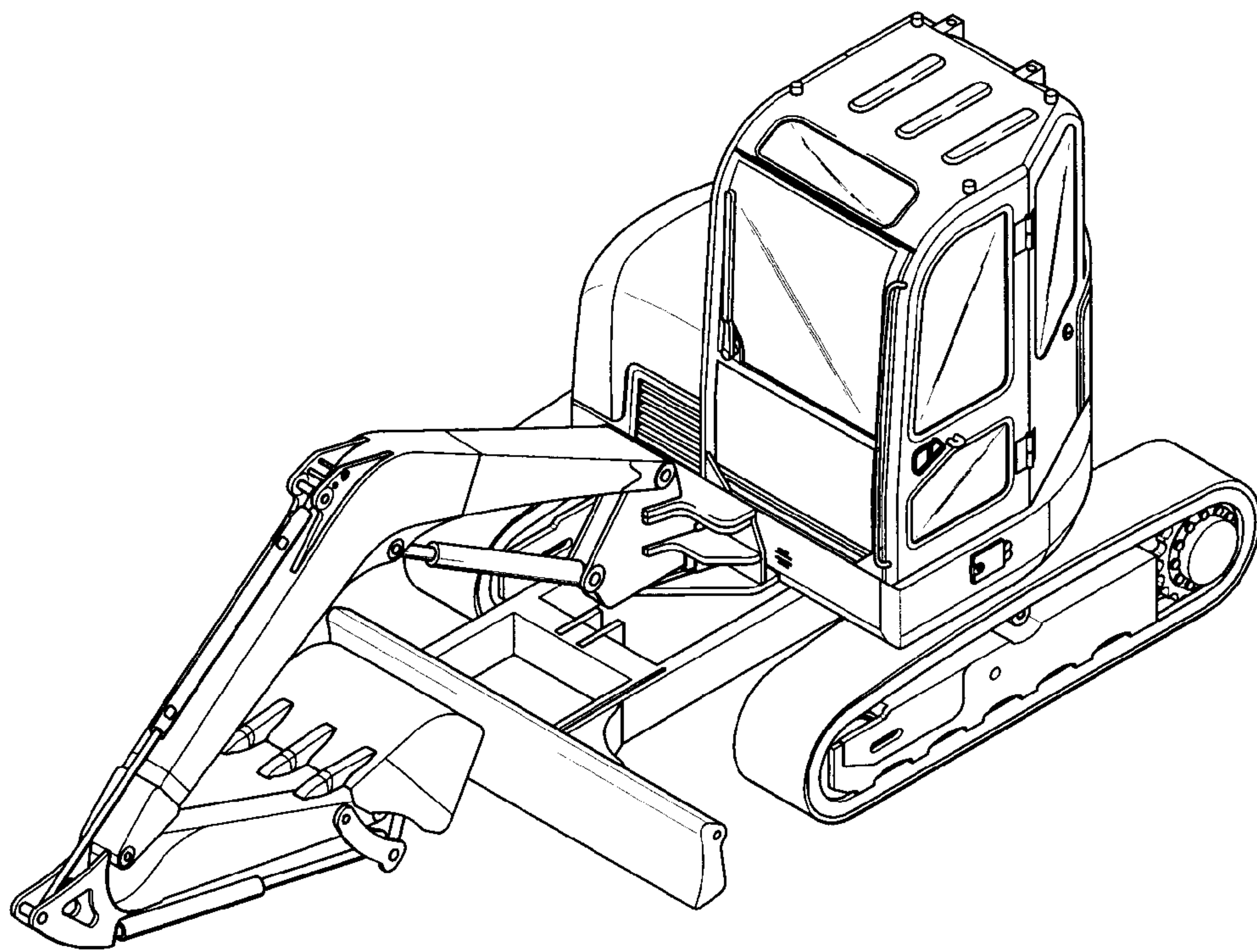


Fig. 2

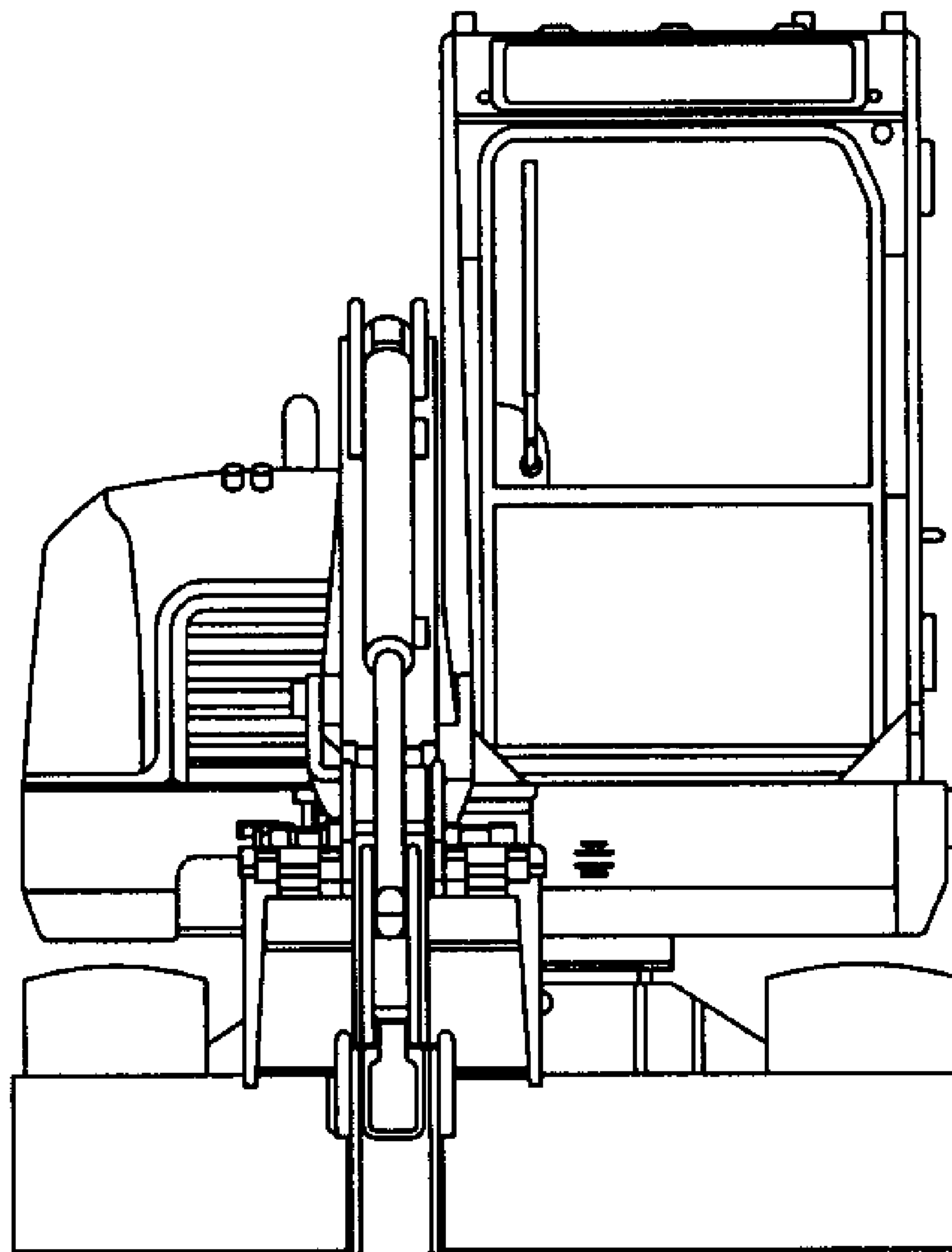


Fig. 3

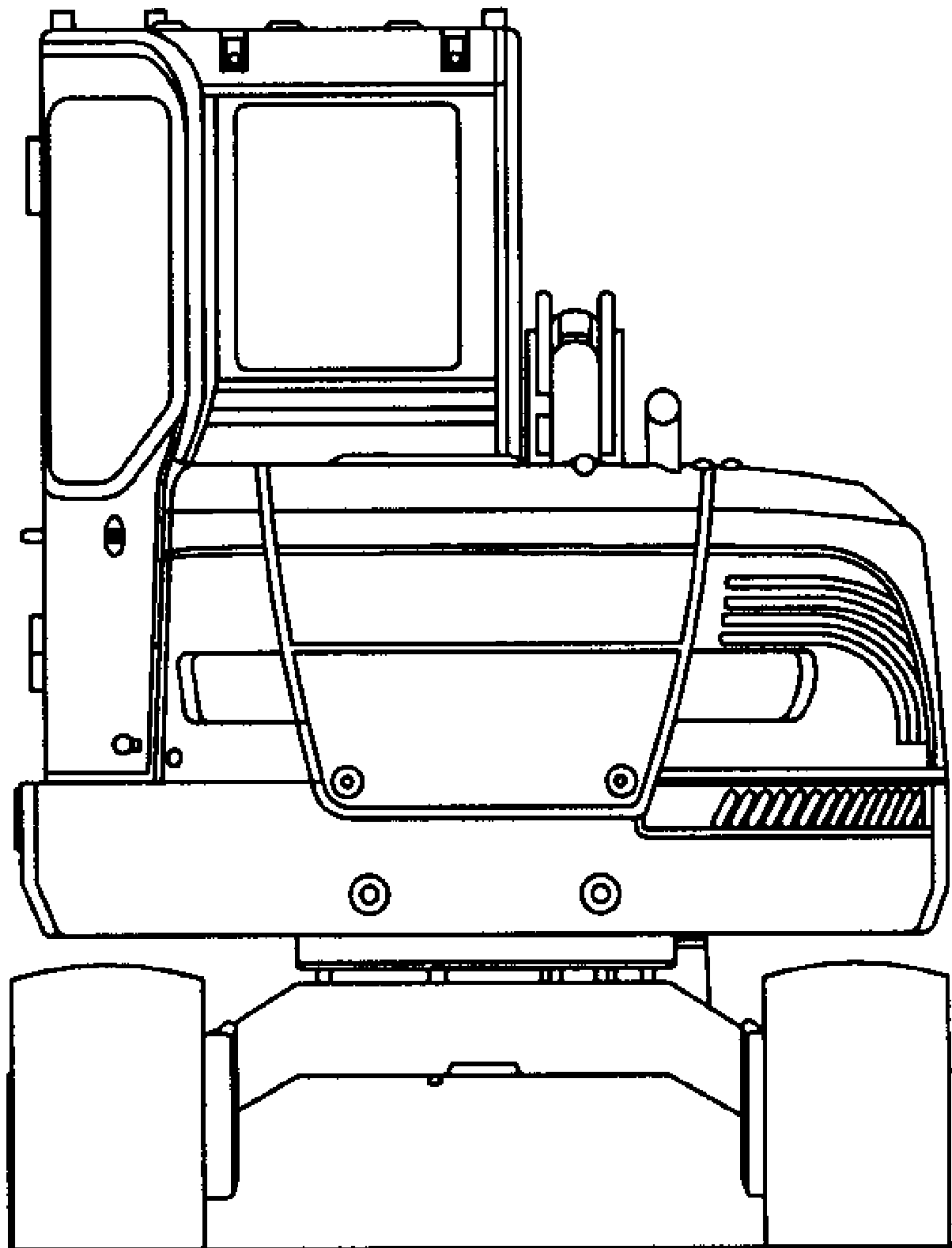


Fig.4

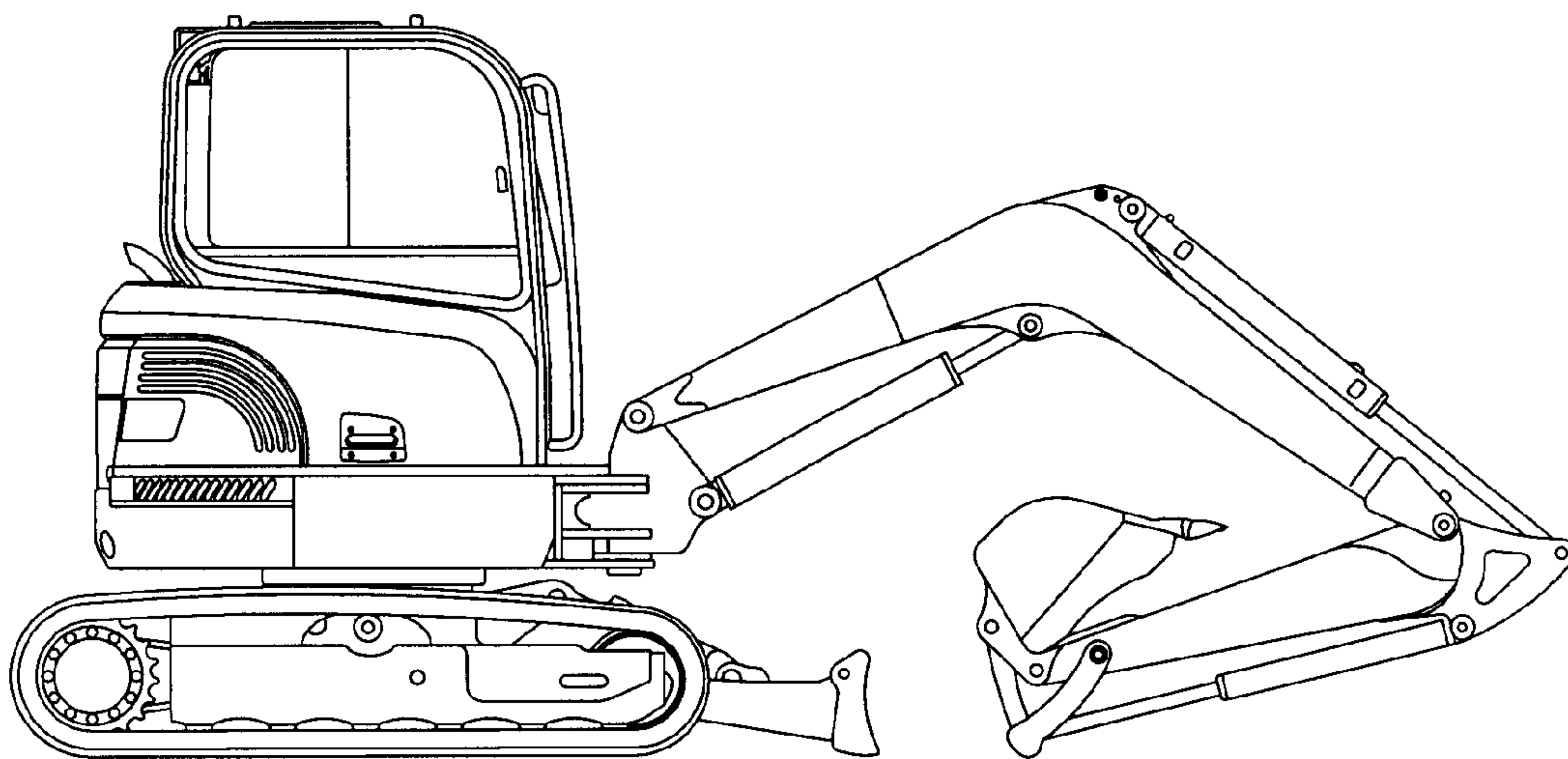




Fig.5

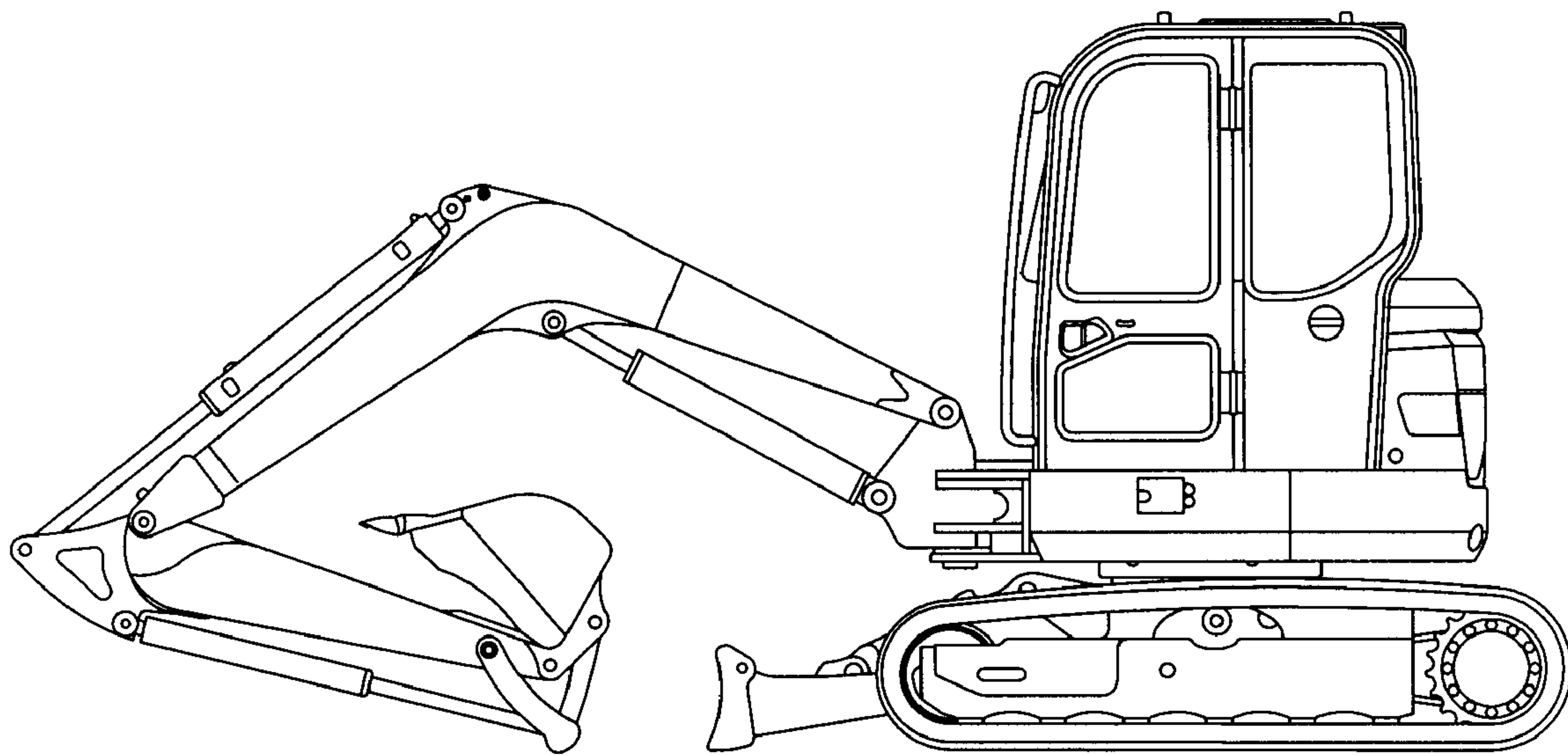


Fig.6

