



US00D518070S

(12) **United States Design Patent**  
**Schennach**

(10) **Patent No.:** **US D518,070 S**  
(45) **Date of Patent:** **\*\* Mar. 28, 2006**

(54) **VIBRATING PLATE**

6,267,532 B1 \* 7/2001 Persson ..... 404/133.1

(75) Inventor: **Hermann Schennach**, Dietersheim  
(DE)

\* cited by examiner

(73) Assignee: **Wacker Construction Equipment AG**,  
Munich (DE)

*Primary Examiner*—Stella Reid  
*Assistant Examiner*—Mark A. Goodwin  
(74) *Attorney, Agent, or Firm*—D. Peter Hochberg; Sean  
Mellino; Katherine R. Vieyra

(\*\*) Term: **14 Years**

(57) **CLAIM**

(21) Appl. No.: **29/203,300**

The ornamental design for a vibrating plate, as shown and  
described.

(22) Filed: **Apr. 13, 2004**

(30) **Foreign Application Priority Data**

**DESCRIPTION**

Oct. 13, 2003 (ES) ..... 000085303

(51) **LOC (8) Cl.** ..... **15-03**

(52) **U.S. Cl.** ..... **D15/20**

(58) **Field of Classification Search** ..... D15/20,  
D15/28, 22, 147, 10; 404/113, 133.1, 133.5;  
172/699; 56/11.3

See application file for complete search history.

FIG. 1 is a front right perspective view of the vibrating plate  
showing our new design, with the handle in down position;  
FIG. 2 is a back left perspective view thereof;  
FIG. 3 is a back view thereof;  
FIG. 4 is a left side view thereof;  
FIG. 5 is a front view thereof;  
FIG. 6 is a right side view thereof;  
FIG. 7 is a top view thereof;  
FIG. 8 is a front left perspective view of the vibrating plate  
showing our new design, with the handle in up position;  
FIG. 9 is a back view thereof;  
FIG. 10 is a left side view thereof;  
FIG. 11 is a front view thereof;  
FIG. 12 is a right side view thereof;  
FIG. 13 is a top view thereof; and,  
FIG. 14 is a bottom view thereof.

(56) **References Cited**

**U.S. PATENT DOCUMENTS**

- D227,166 S \* 6/1973 Briggs et al. .... D15/20
- D227,598 S \* 7/1973 Maass ..... D15/20
- 3,899,263 A \* 8/1975 Briggs et al. .... 404/133.1
- 4,113,403 A \* 9/1978 Tertinek et al. .... 404/113
- 4,775,263 A \* 10/1988 Persson et al. .... 404/133.1
- 5,439,314 A \* 8/1995 Wadensten ..... 404/133.05
- D393,864 S \* 4/1998 Waldenberger et al. .... D15/20

**1 Claim, 14 Drawing Sheets**



Fig. 1



Fig. 2

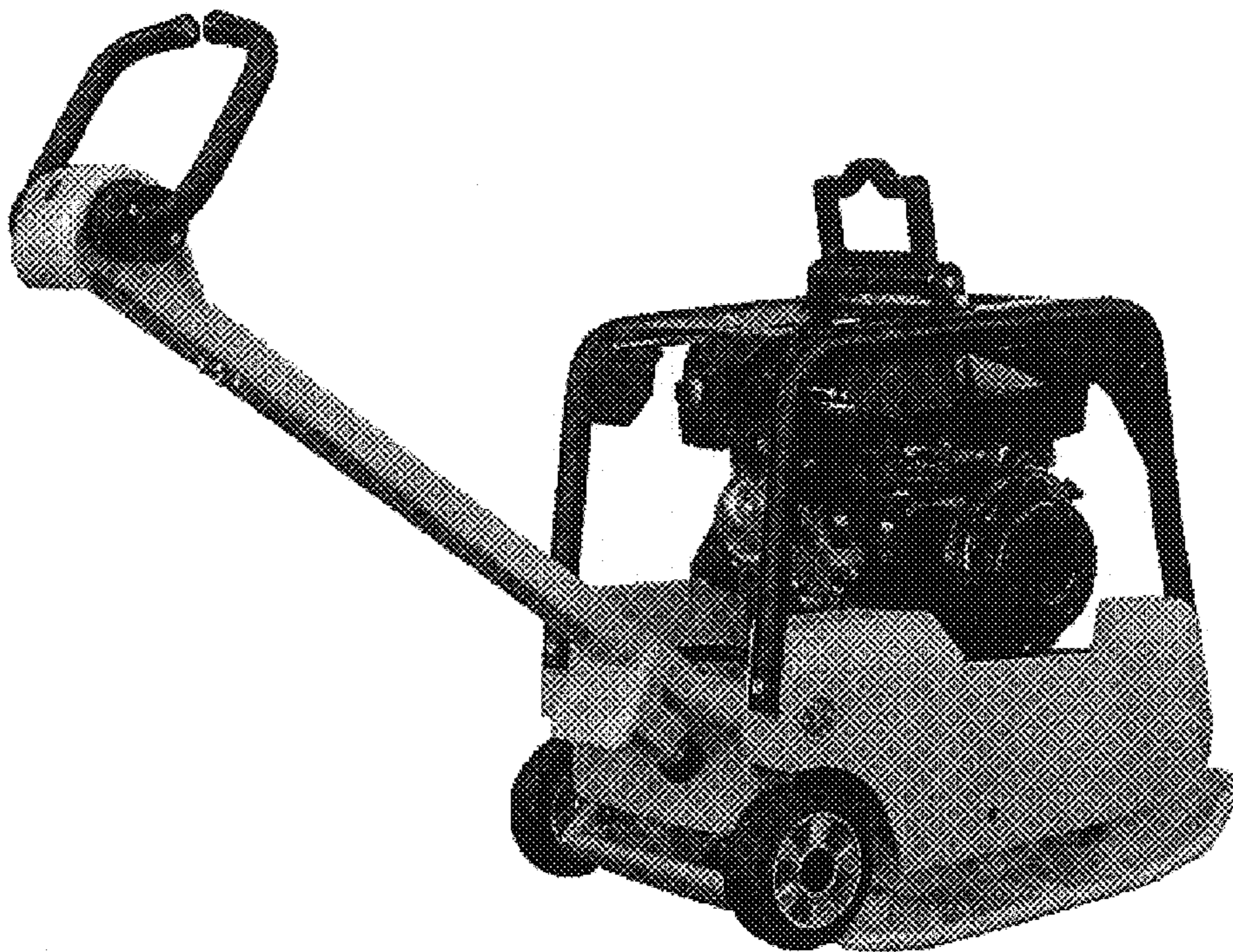


Fig. 3

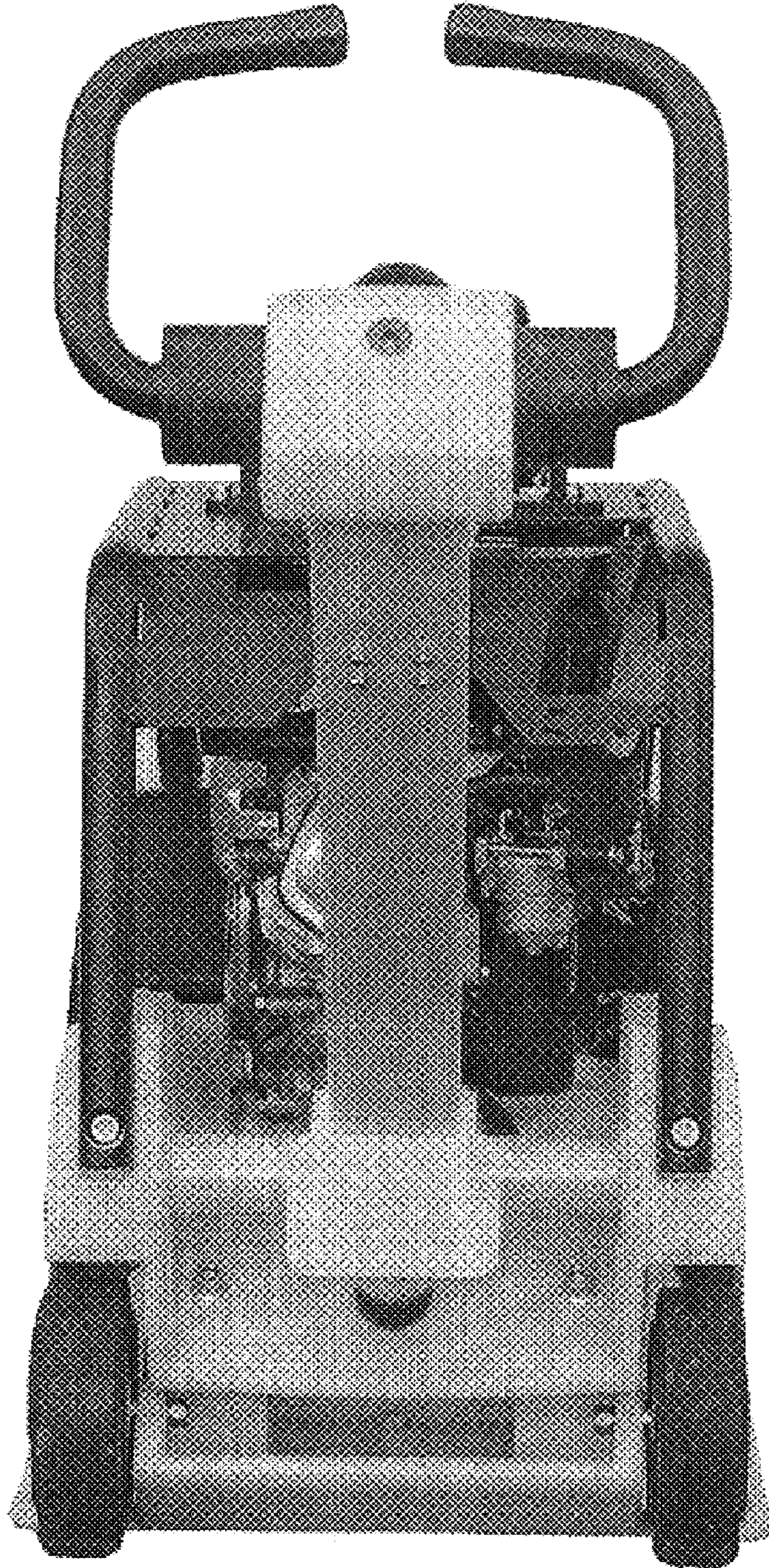


Fig. 4

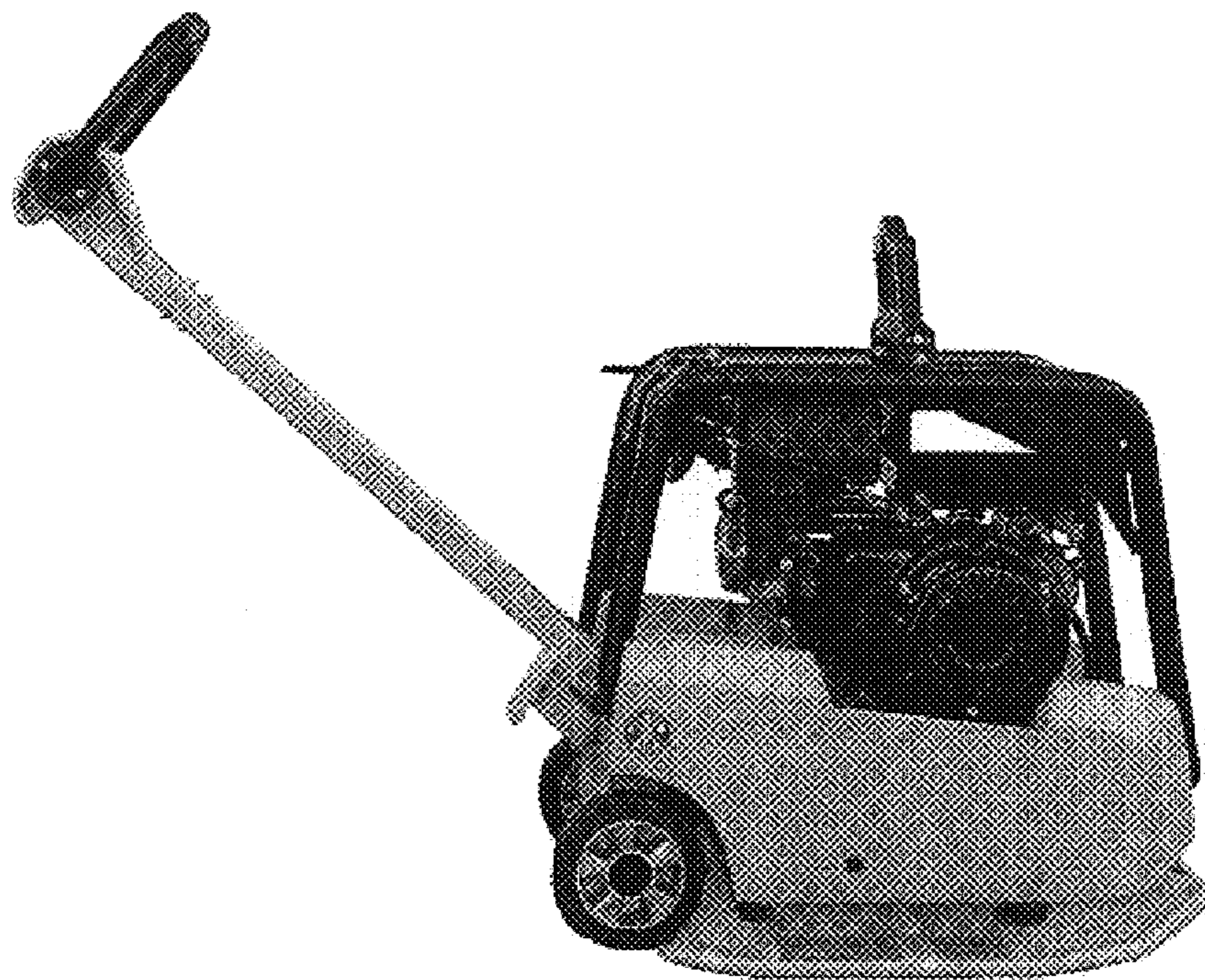


Fig. 5

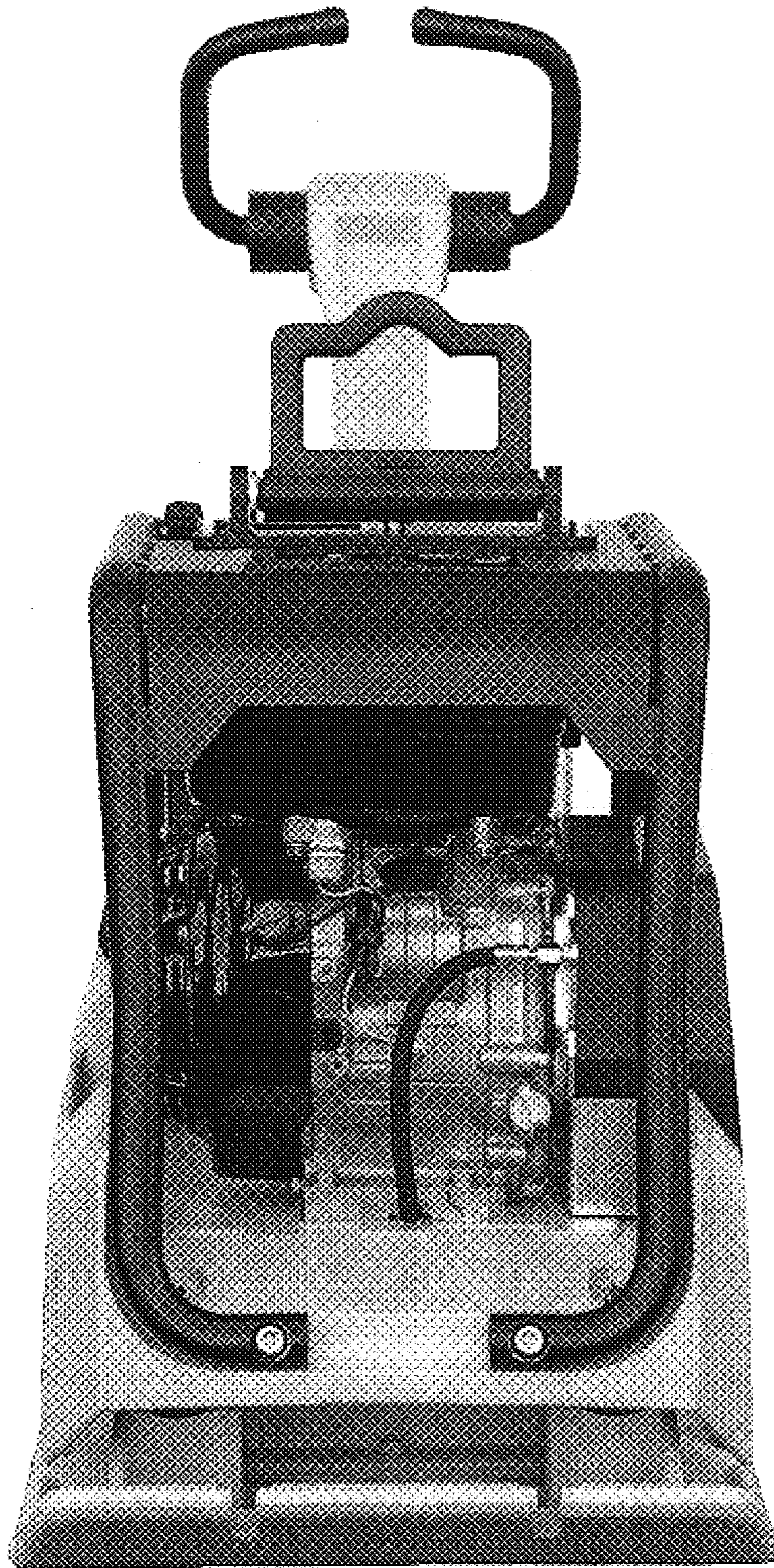


Fig. 6

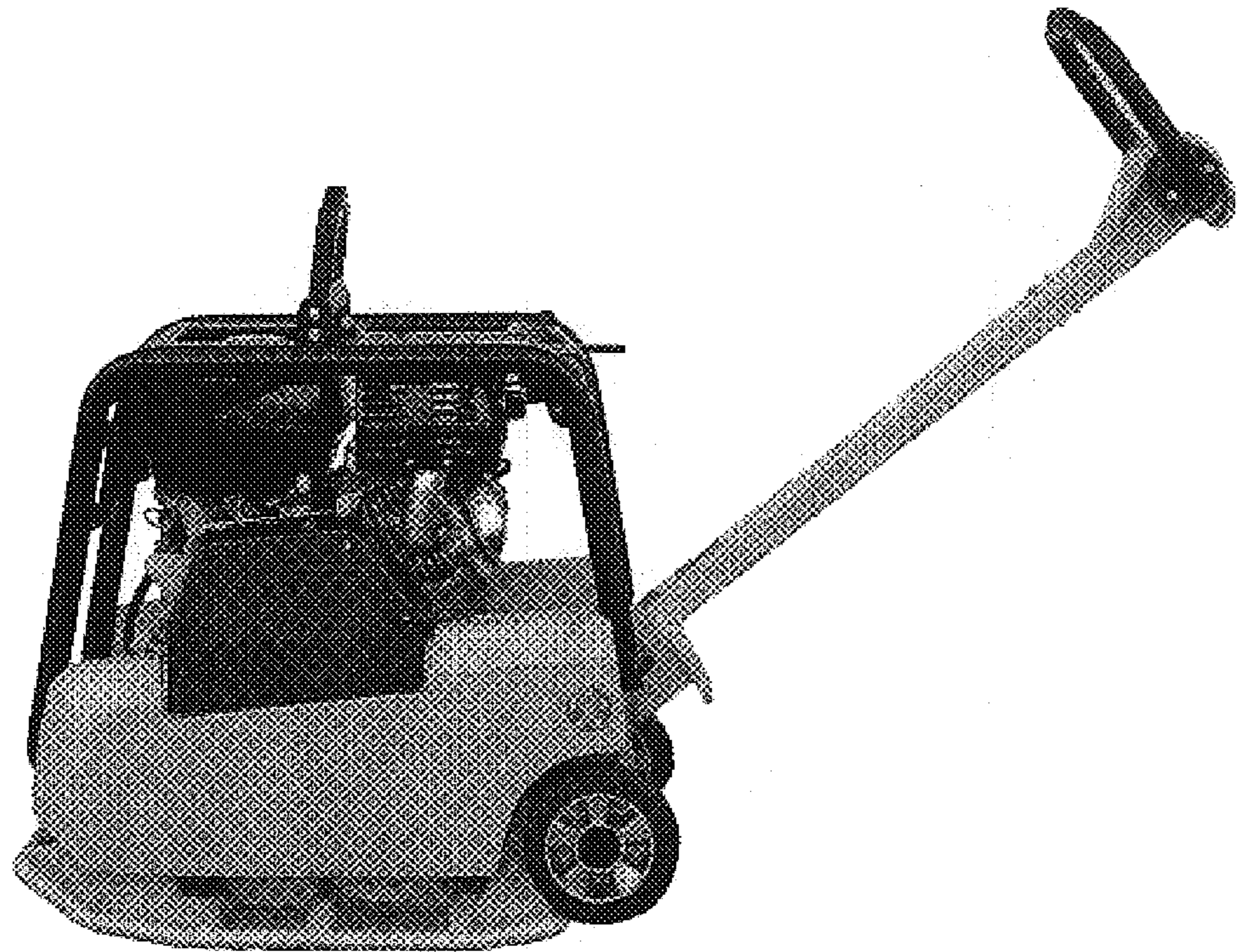
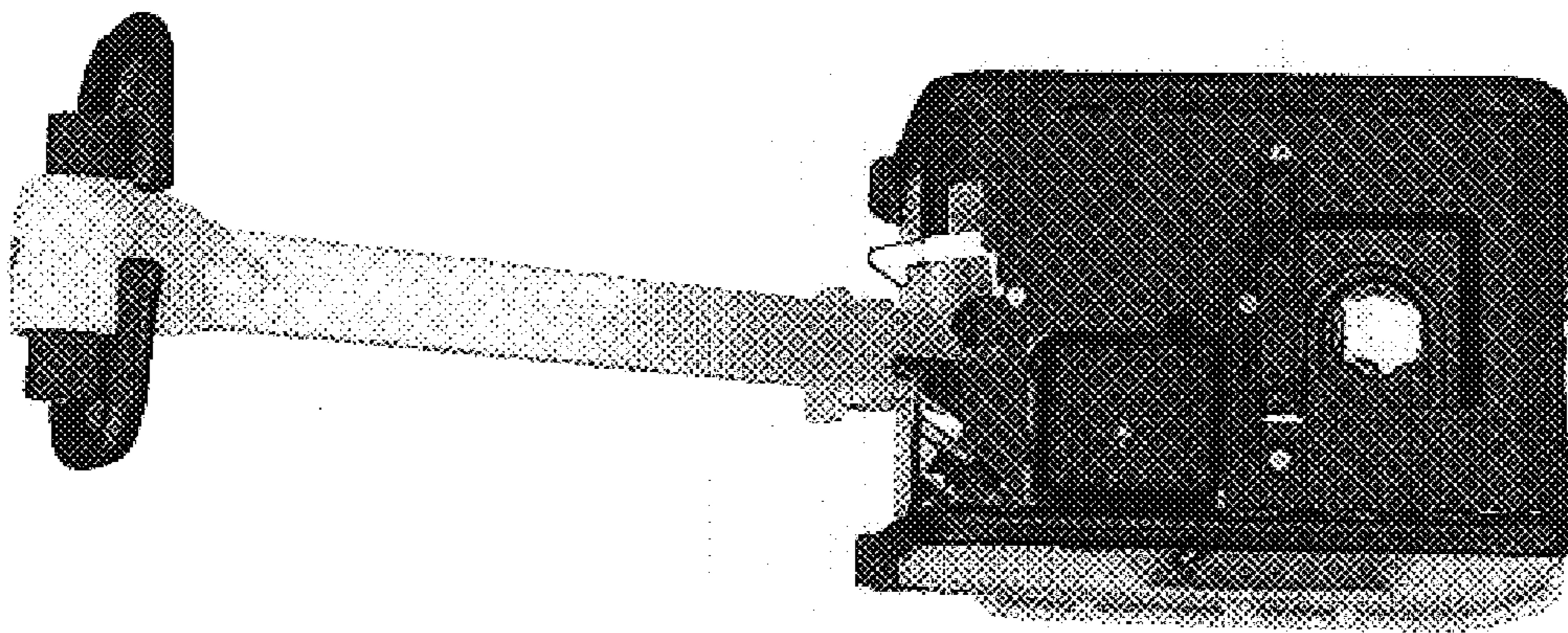


Fig. 7





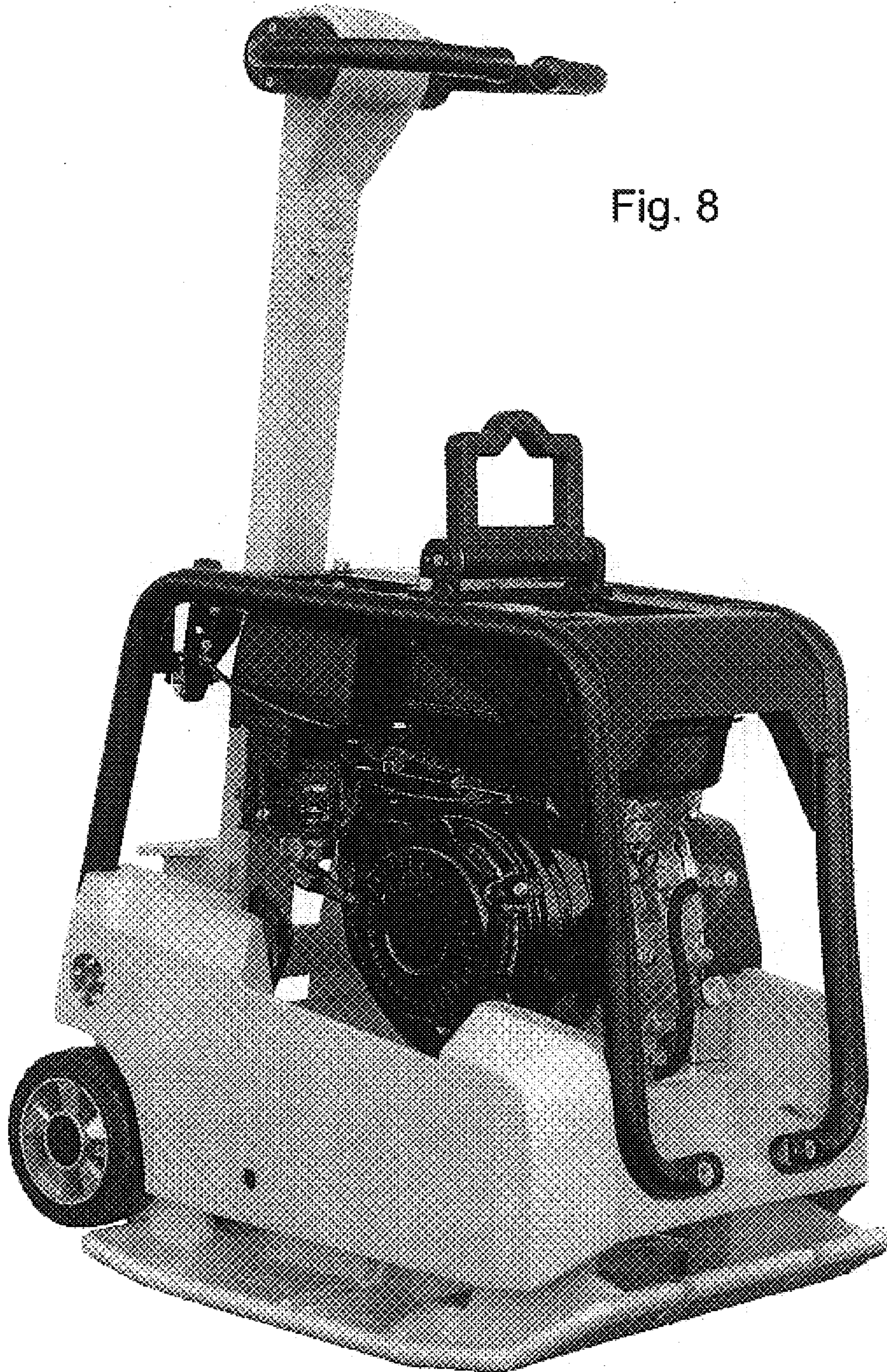
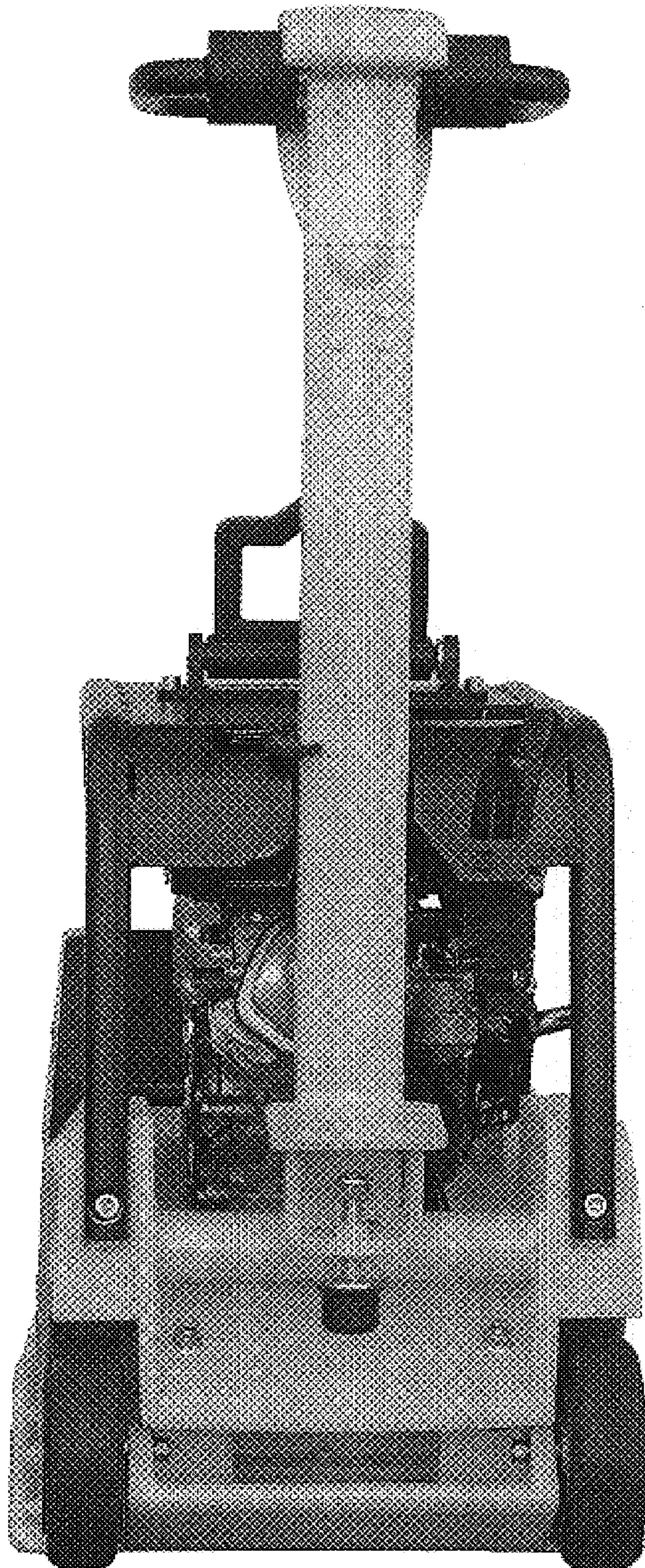


Fig. 8

Fig. 9



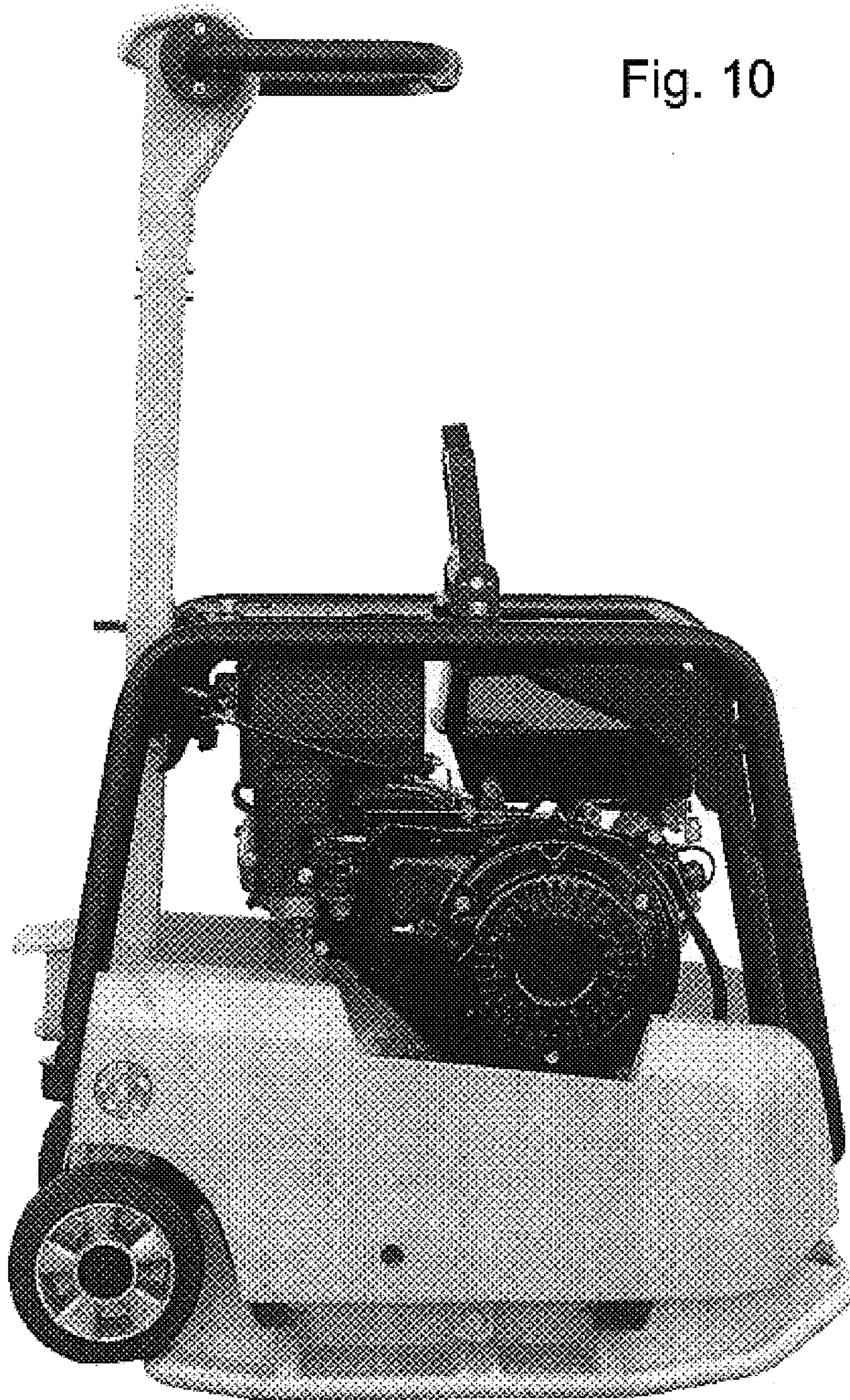


Fig. 10

Fig. 11

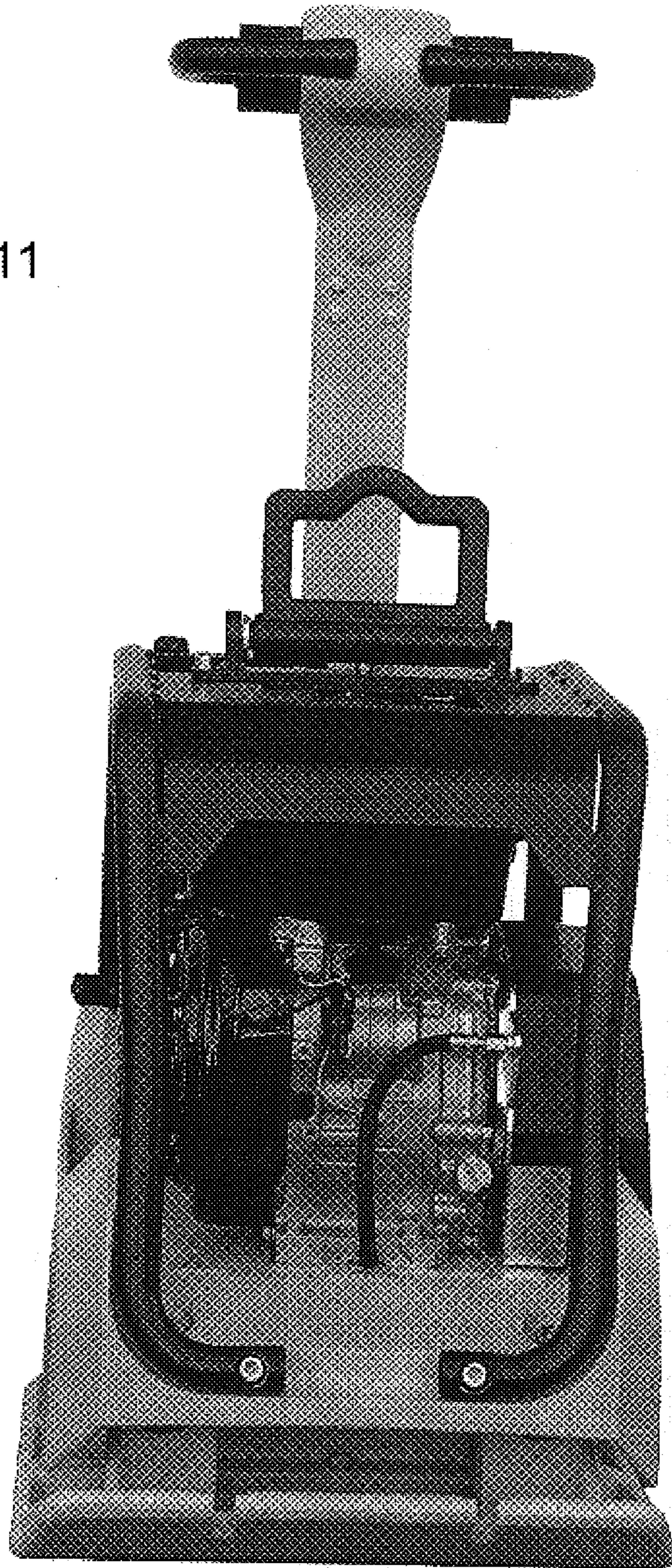


Fig. 12

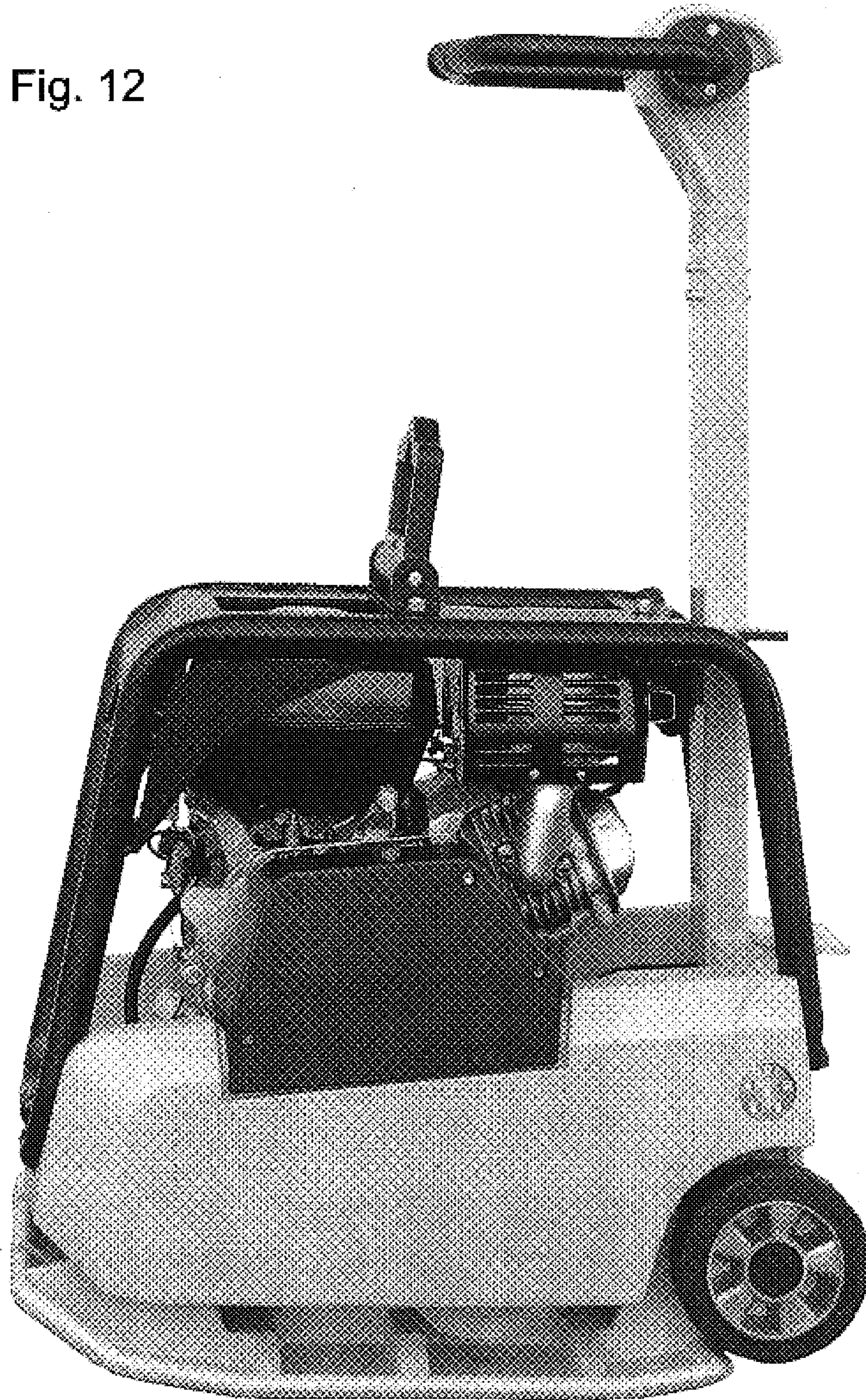


Fig. 13

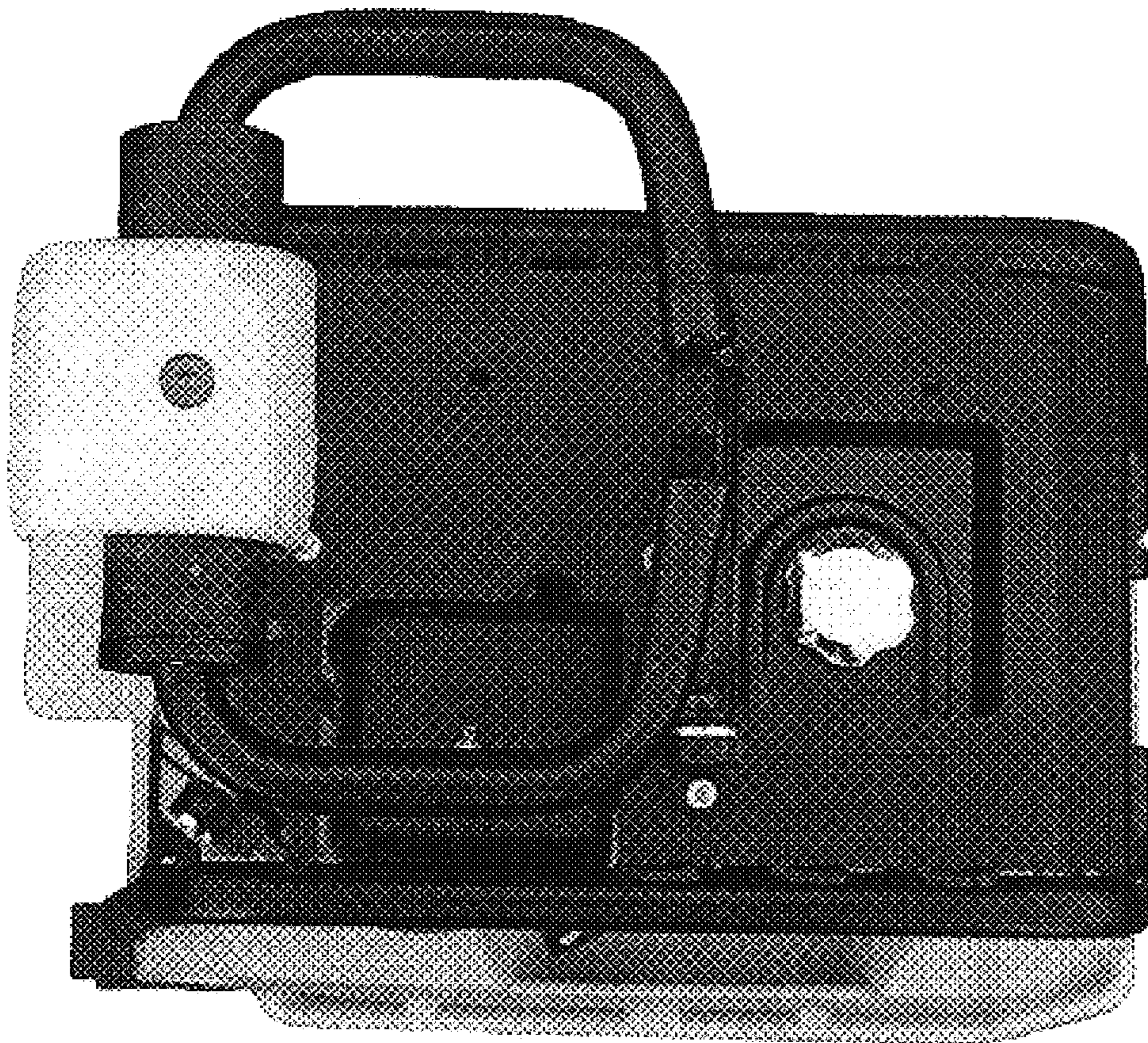
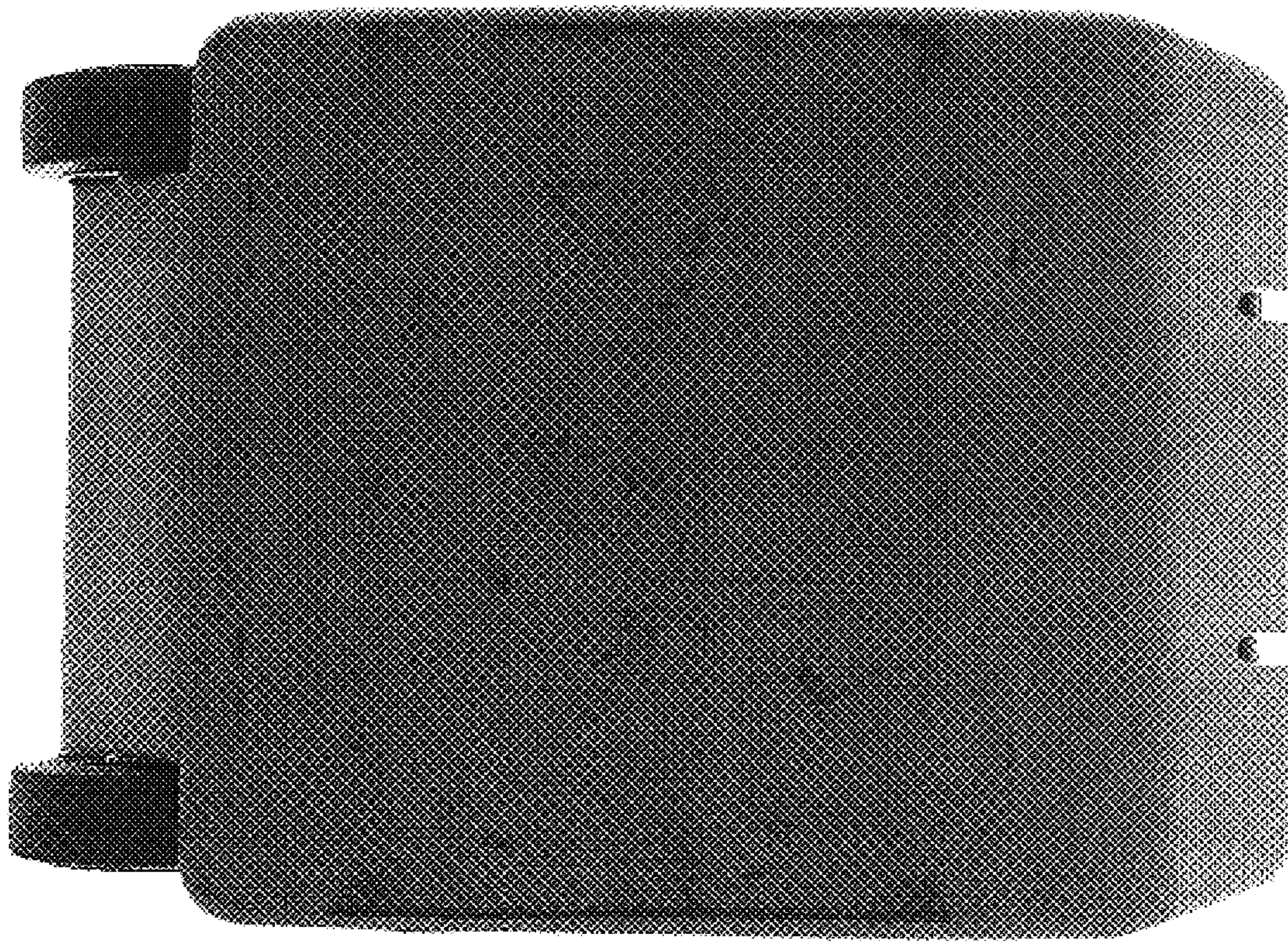


Fig. 14



UNITED STATES PATENT AND TRADEMARK OFFICE  
**CERTIFICATE OF CORRECTION**

PATENT NO. : Des. 518,070 S  
APPLICATION NO. : 29/203300  
DATED : March 28, 2006  
INVENTOR(S) : Hermann Schennach

Page 1 of 1

It is certified that error appears in the above-identified patent and that said Letters Patent is hereby corrected as shown below:

On Title Page, Item (30) Col. 1, should read,

(30) Foreign Application Priority Data

Oct. 13, 2003 (EU) ..... 000085303

Signed and Sealed this

Fifteenth Day of August, 2006

A handwritten signature in black ink on a dotted background. The signature reads "Jon W. Dudas" in a cursive style.

JON W. DUDAS

*Director of the United States Patent and Trademark Office*