



US00D518069S

(12) **United States Design Patent**  
**Van Norman**

(10) **Patent No.:** **US D518,069 S**  
(45) **Date of Patent:** **\*\* Mar. 28, 2006**

- (54) **PUMP GEARBOX BEARING RETAINERS AND DRIVE SHAFTS**
- (75) Inventor: **Drew J. Van Norman**, Whitewater, WI (US)
- (73) Assignee: **SPX Corporation**, Charlotte, NC (US)
- (\*\*) Term: **14 Years**
- (21) Appl. No.: **29/225,559**
- (22) Filed: **Mar. 18, 2005**

D377,657 S	1/1997	Winters, Sr. ....	D15/149
D406,596 S	3/1999	Ziegler et al. ....	D15/148
D427,218 S	6/2000	Jordan .....	D15/149
6,125,717 A	10/2000	Phillips .....	74/606 R
D453,939 S	2/2002	Ochiai .....	D15/9

*Primary Examiner*—Antoine D. Davis  
(74) *Attorney, Agent, or Firm*—Baker & Hostetler LLP

(57) **CLAIM**

The ornamental design for pump gearbox bearing retainers and drive shafts, as shown and described.

**DESCRIPTION**

FIG. 1 is a perspective view of the pump gearbox bearing retainers and drive shafts, particularly showing the inventive design thereof;  
 FIG. 2 is a front view of the alternative embodiment;  
 FIG. 3 is a right side view of the alternative embodiment;  
 FIG. 4 is a left side view of the alternative embodiment;  
 FIG. 5 is a top view of the alternative embodiment; and,  
 FIG. 6 is a detail view of the alternative embodiment.  
 The broken line showing is for illustrative purposes only and forms no part of the claimed design. This showing serves to define a detail of the claimed design for which it encircles.

**Related U.S. Application Data**

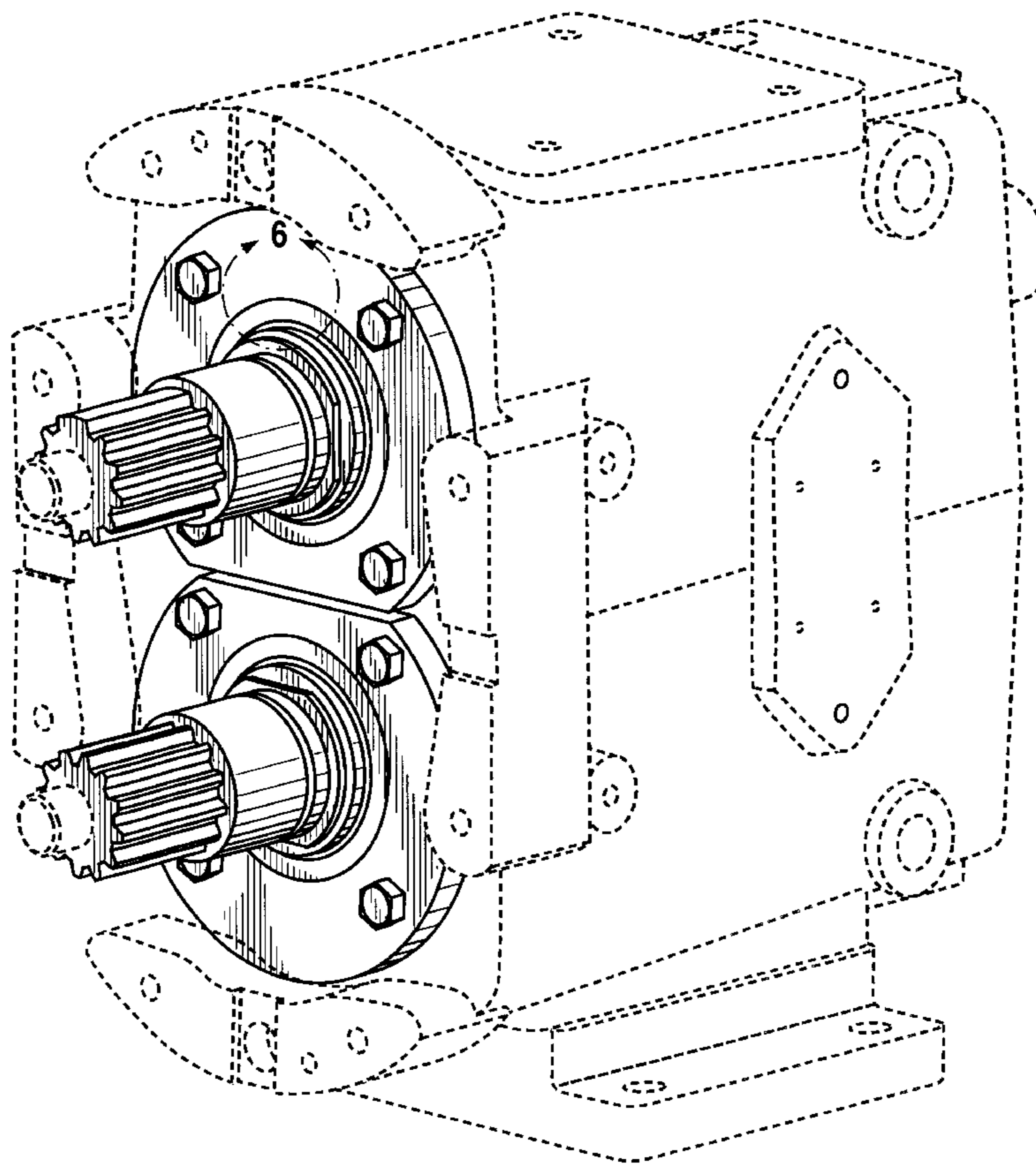
- (62) Division of application No. 29/205,005, filed on May 10, 2004, now Pat. No. Des. 509,225.
- (51) **LOC (8) Cl.** ..... **15-02**
- (52) **U.S. Cl.** ..... **D15/7; D15/143**
- (58) **Field of Classification Search** ..... D15/7, D15/143; 415/148; 417/321, 410, 413.1, 417/415, 423.3, 486, 521, 534  
See application file for complete search history.

(56) **References Cited**

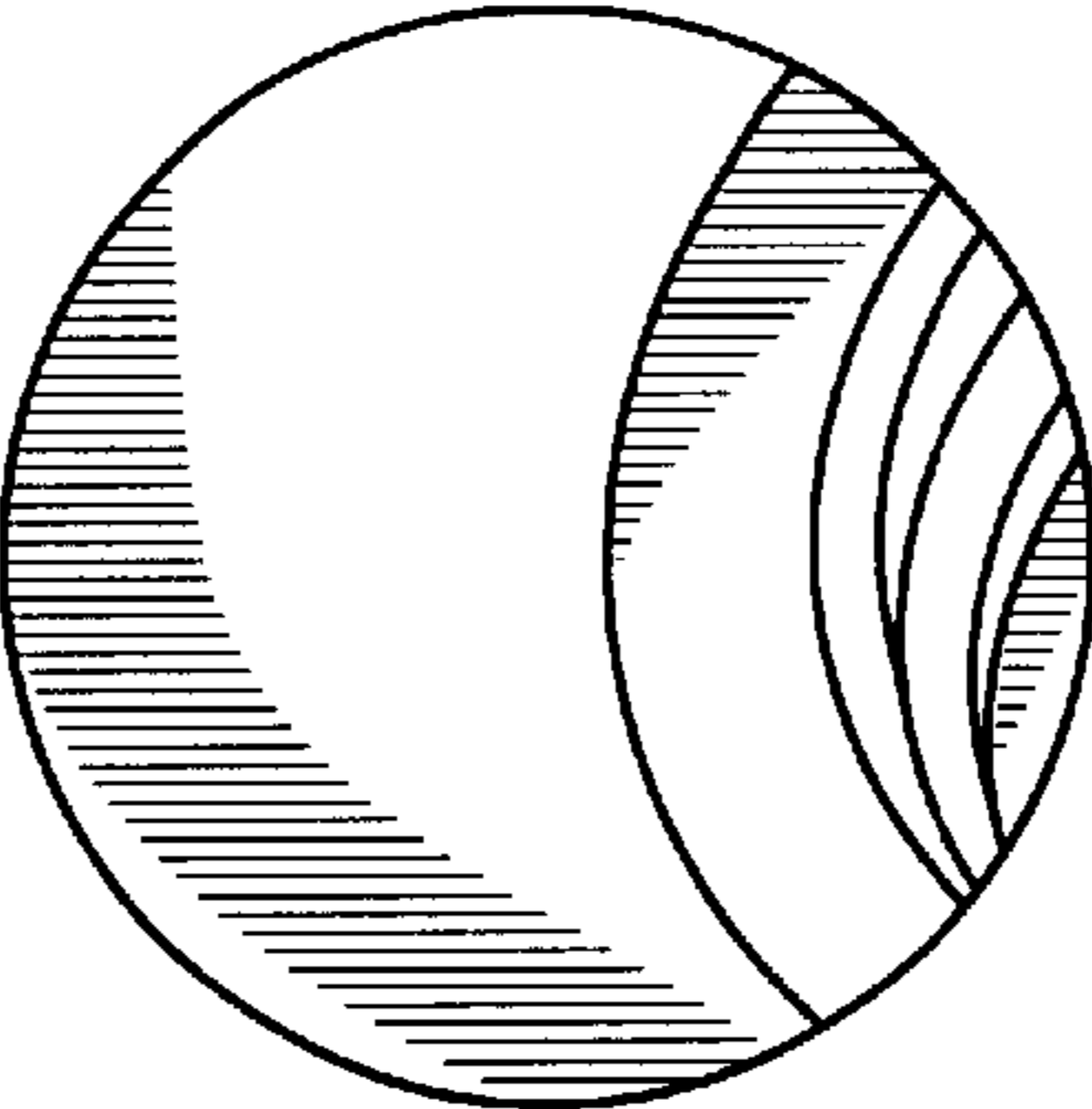
**U.S. PATENT DOCUMENTS**

5,447,078 A 9/1995 Robinson et al. .... 74/606 R

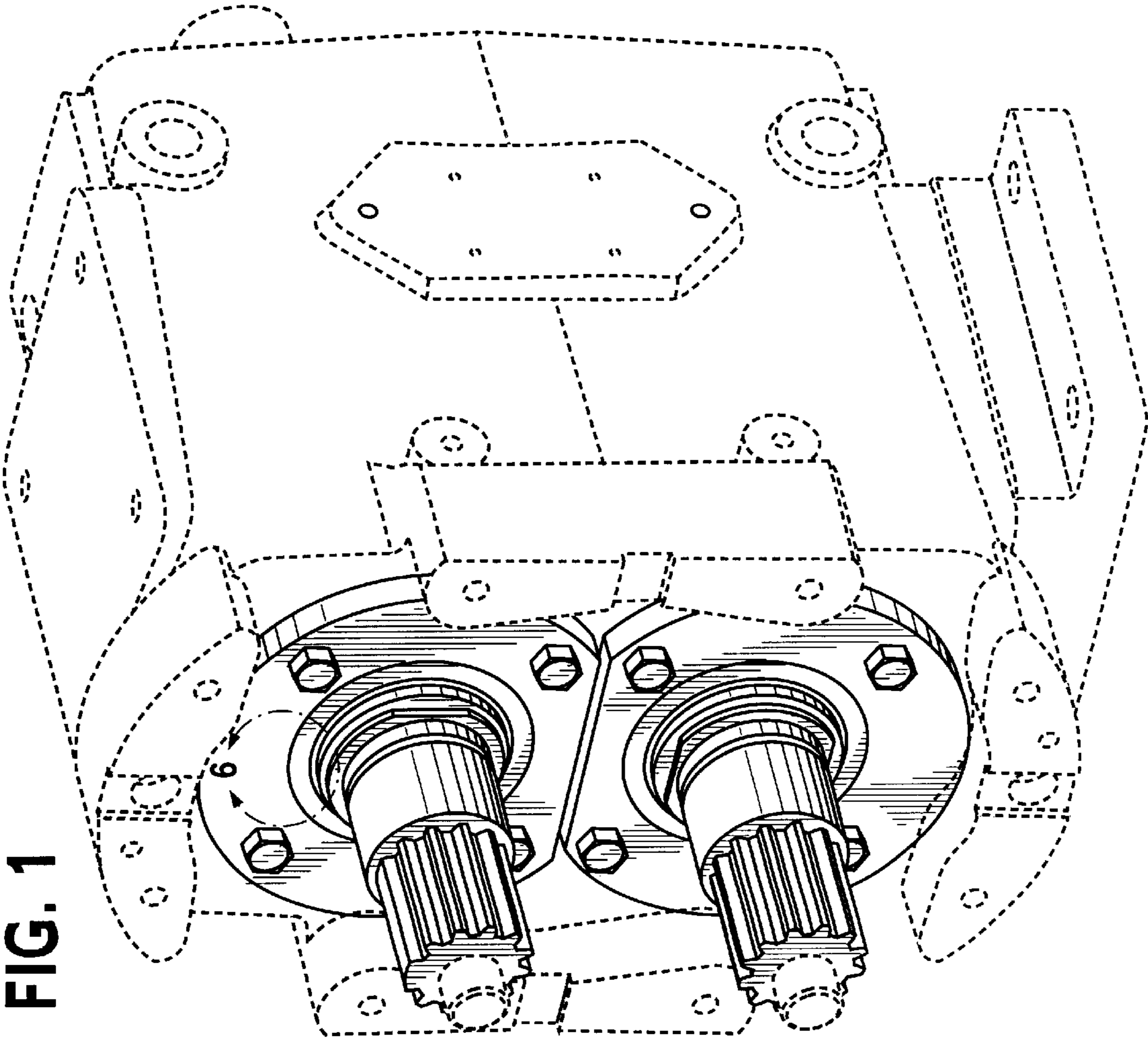
**1 Claim, 5 Drawing Sheets**



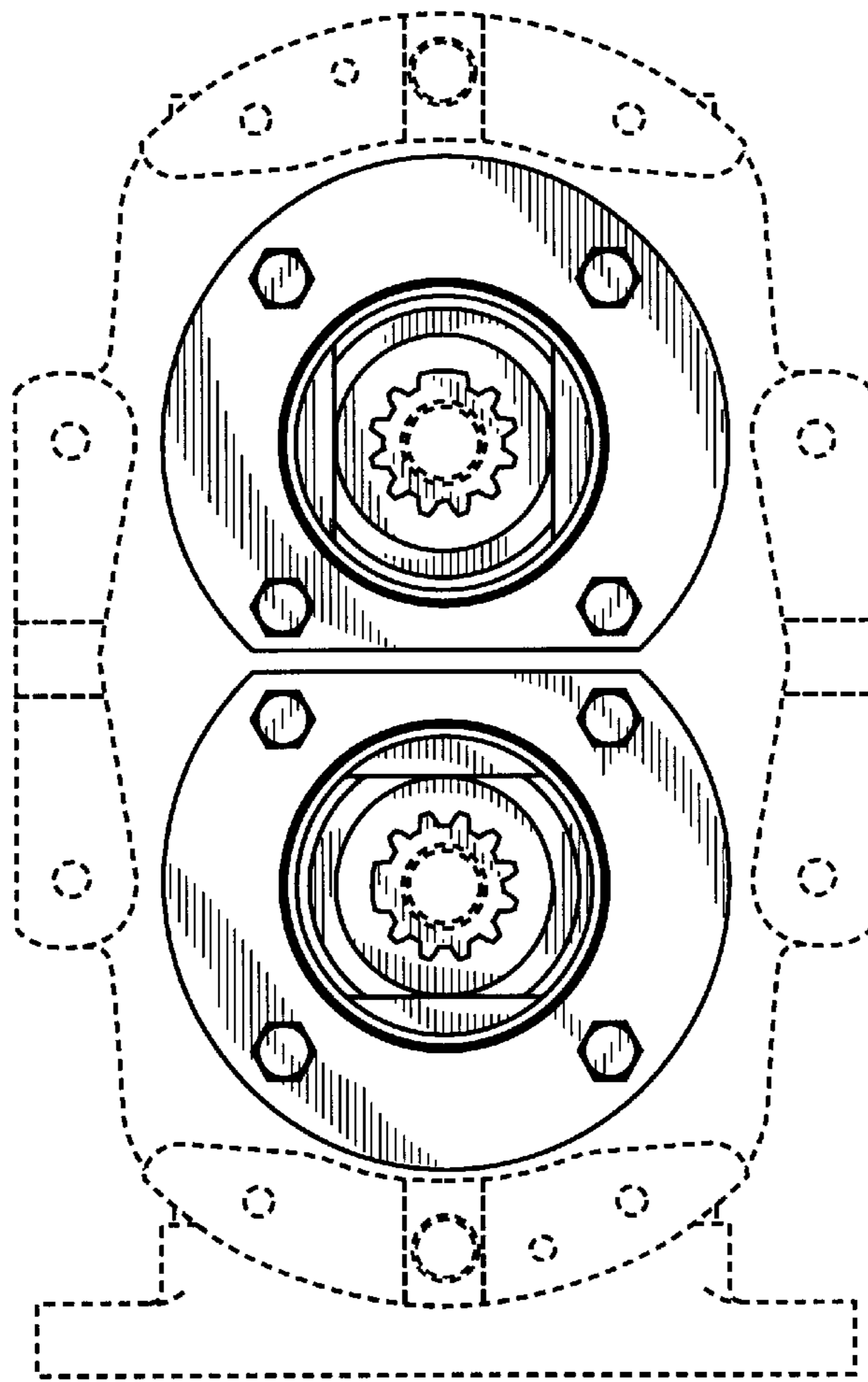
**FIG. 6**



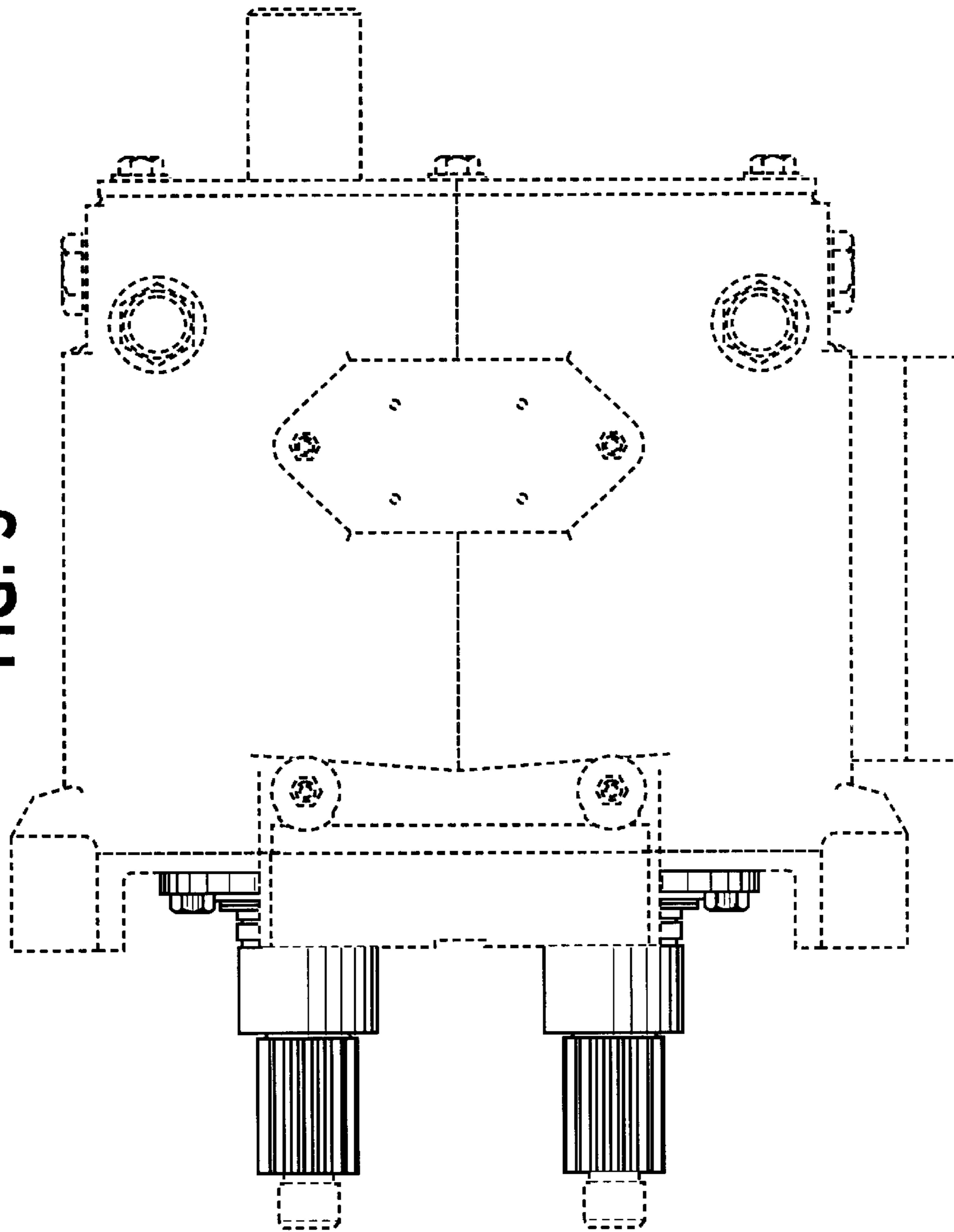
**FIG. 1**



**FIG. 2**



**FIG. 3**



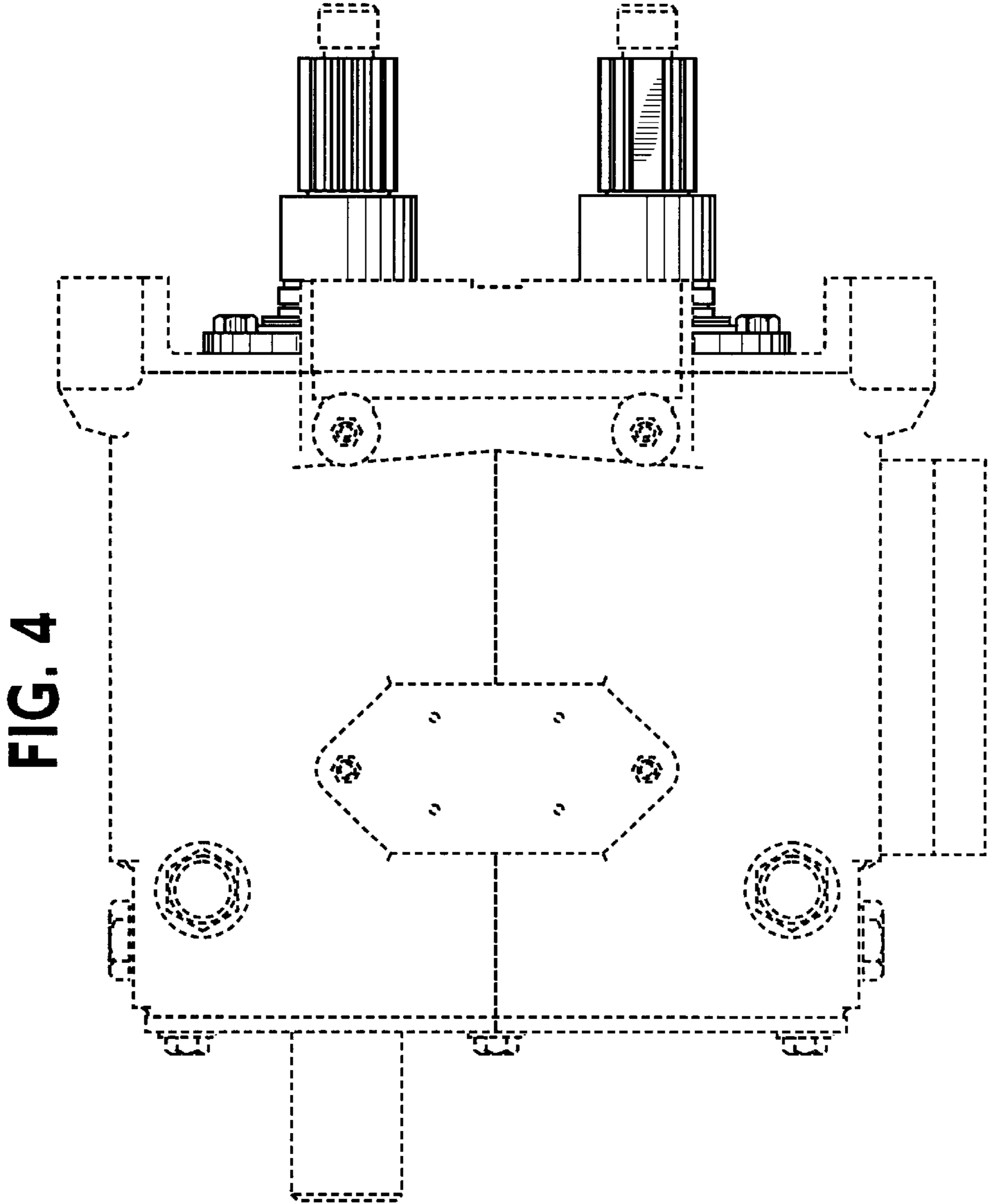


FIG. 5

