



US00D518068S

(12) **United States Design Patent**  
**Rodopoulos**

(10) **Patent No.:** **US D518,068 S**

(45) **Date of Patent:** **\*\* Mar. 28, 2006**

(54) **PUMP**

(75) Inventor: **George L. Rodopoulos**, Boca Raton,  
FL (US)

(73) Assignee: **Uniweld Products, Inc.**, Fort  
Lauderdale, FL (US)

(\*\*) Term: **14 Years**

(21) Appl. No.: **29/221,782**

(22) Filed: **Jan. 20, 2005**

(51) **LOC (8) Cl.** ..... **15-02**

(52) **U.S. Cl.** ..... **D15/7**

(58) **Field of Classification Search** ..... D15/7-9;  
417/321, 410, 413.1, 415, 423.3, 486, 521,  
417/534; 415/148

See application file for complete search history.

(56) **References Cited**

U.S. PATENT DOCUMENTS

- D179,746 S \* 2/1957 Sudmeier ..... D15/9
- D273,958 S \* 5/1984 Mariol ..... D15/9
- D372,719 S \* 8/1996 Jensen ..... D15/7
- D376,370 S \* 12/1996 Davis et al. .... D15/7

- D447,148 S \* 8/2001 Antony et al. .... D15/7
- D466,522 S \* 12/2002 Huang ..... D15/7
- D485,565 S \* 1/2004 Martinello ..... D15/7

\* cited by examiner

*Primary Examiner*—Ralf Seifert

(74) *Attorney, Agent, or Firm*—Niels & Lemack

(57) **CLAIM**

The ornamental design for a pump, as shown.

**DESCRIPTION**

FIG. 1 is a perspective view from a first forward angle of the pump of the present invention;

FIG. 2 is a perspective view from a second forward angle of the pump of the present invention;

FIG. 3 is a side view from a first side of the pump of the present invention;

FIG. 4 is a side view from a second side of the pump of the present invention;

FIG. 5 is a front view of the pump of the present invention;

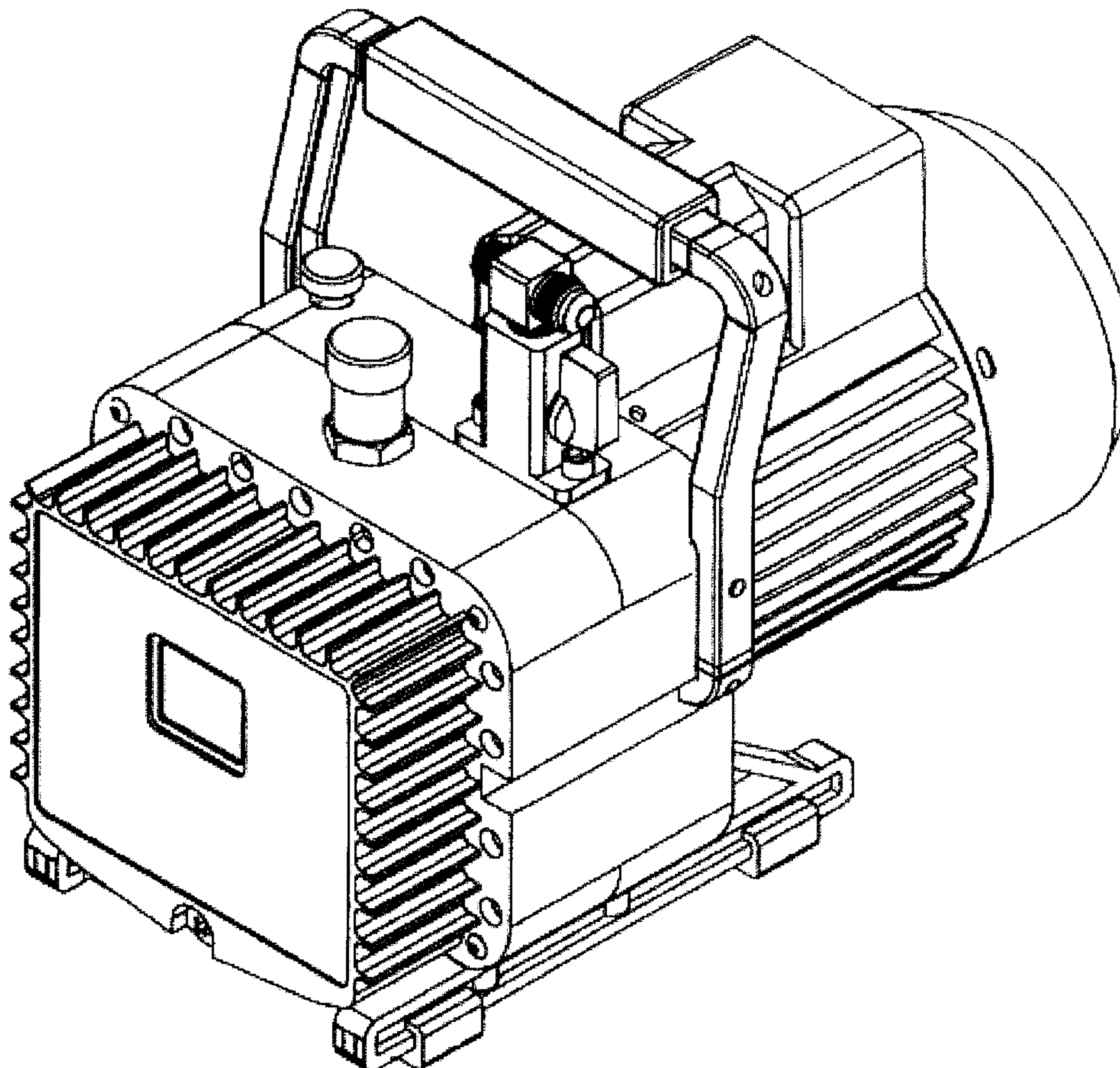
FIG. 6 is a rear view of the pump of the present invention;

FIG. 7 is a top view of the pump of the present invention;

and,

FIG. 8 is a bottom view of the pump of the present invention.

**1 Claim, 8 Drawing Sheets**



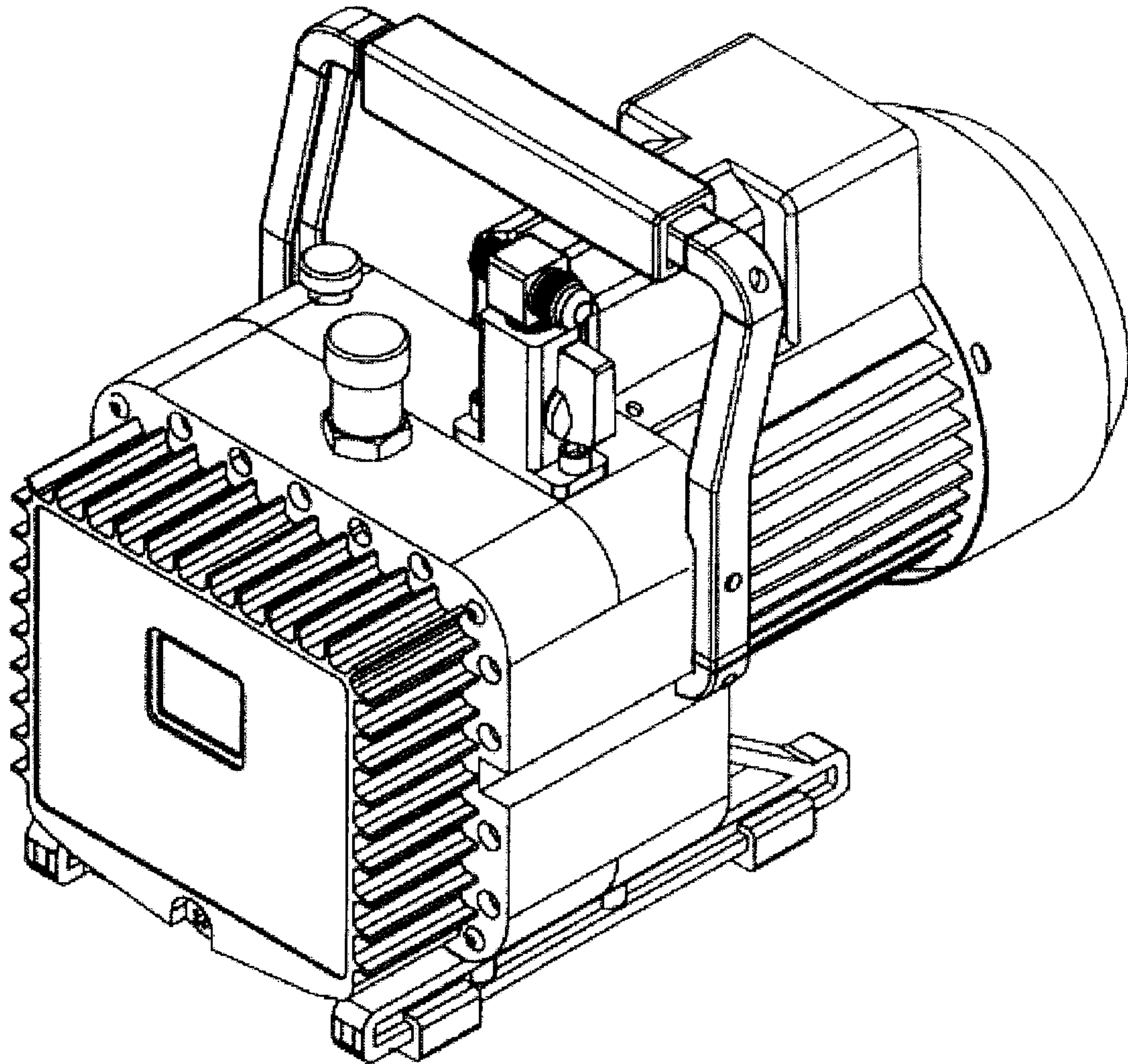


FIGURE 1

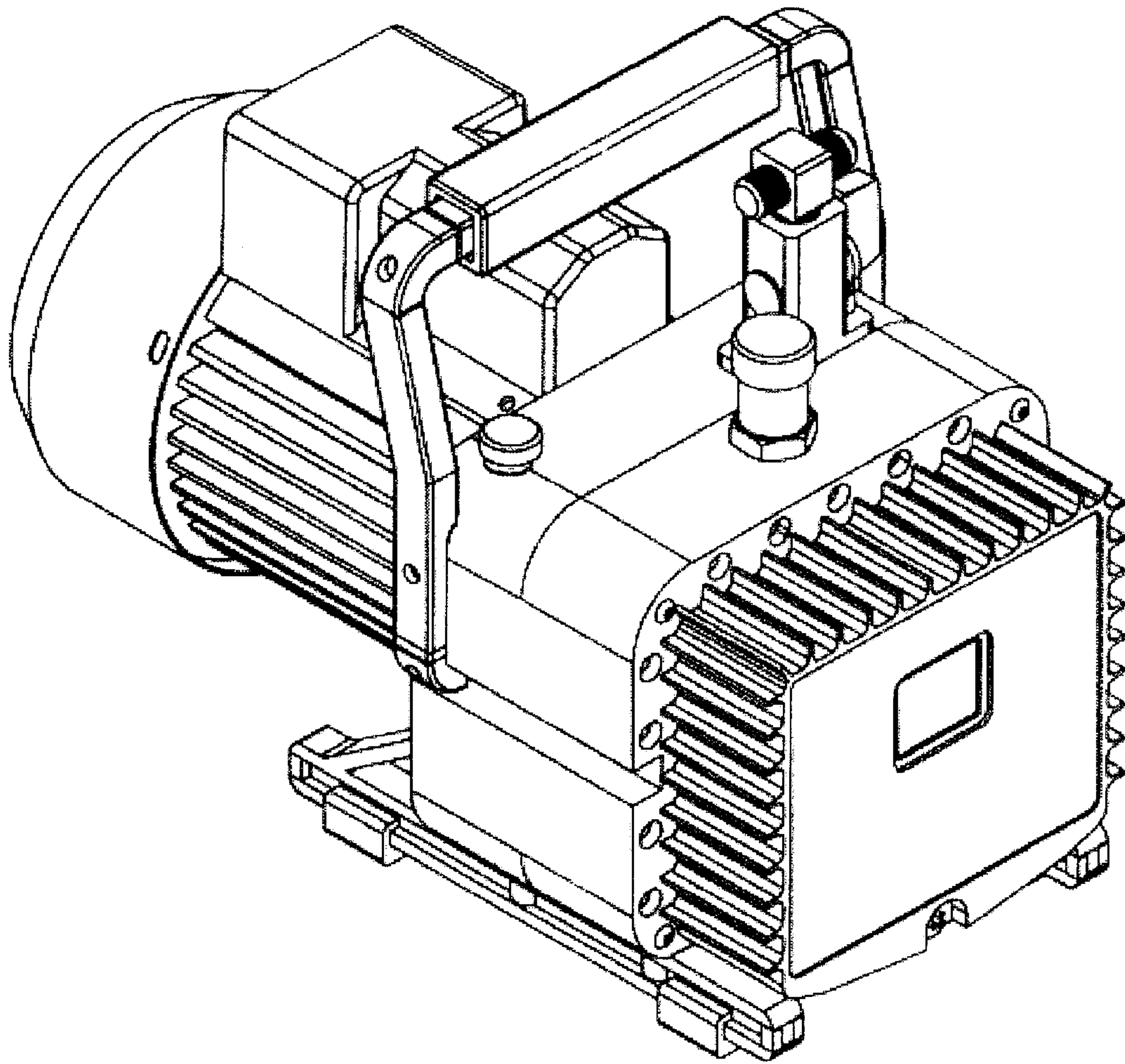


FIGURE 2



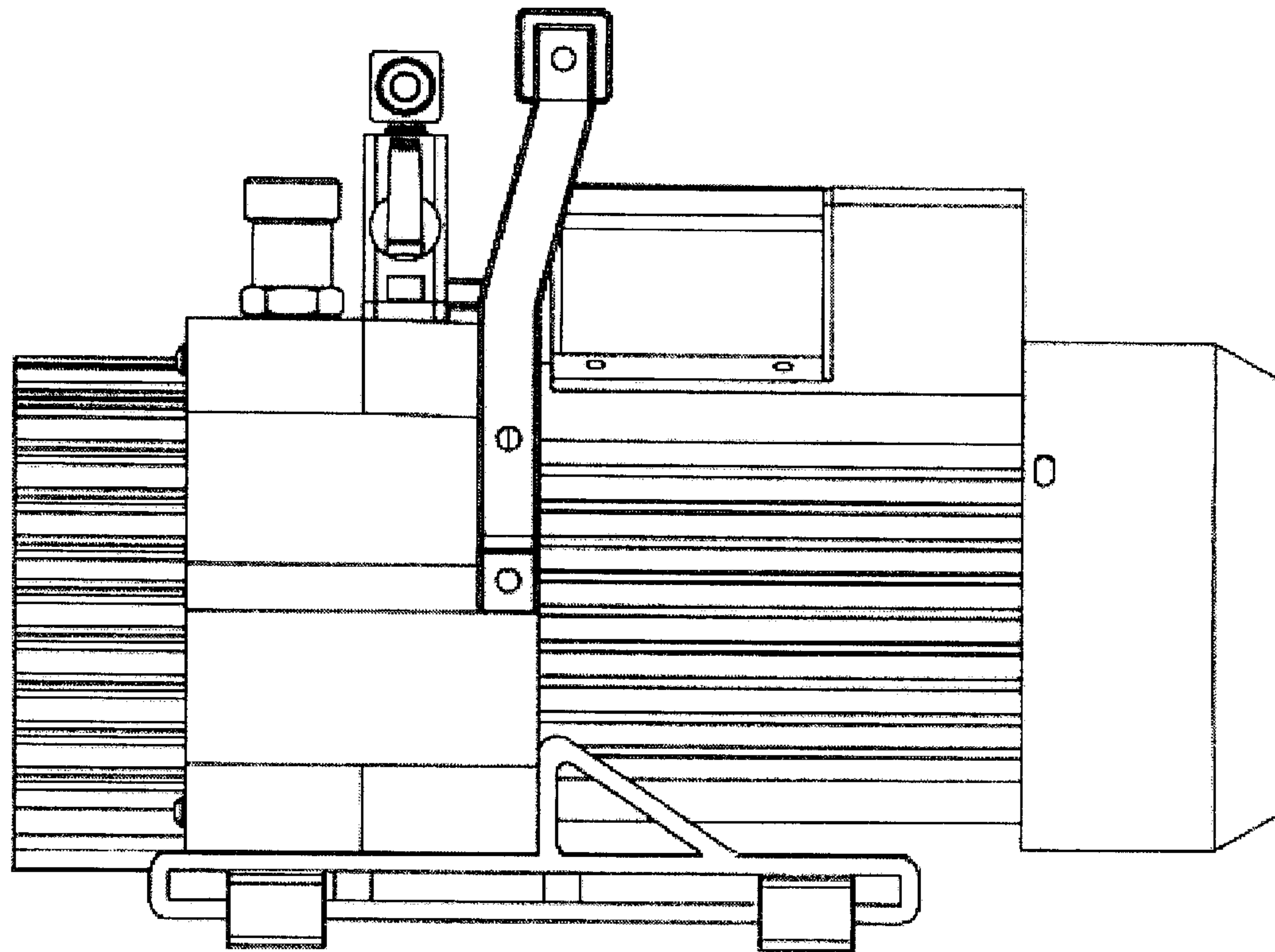


FIGURE 3

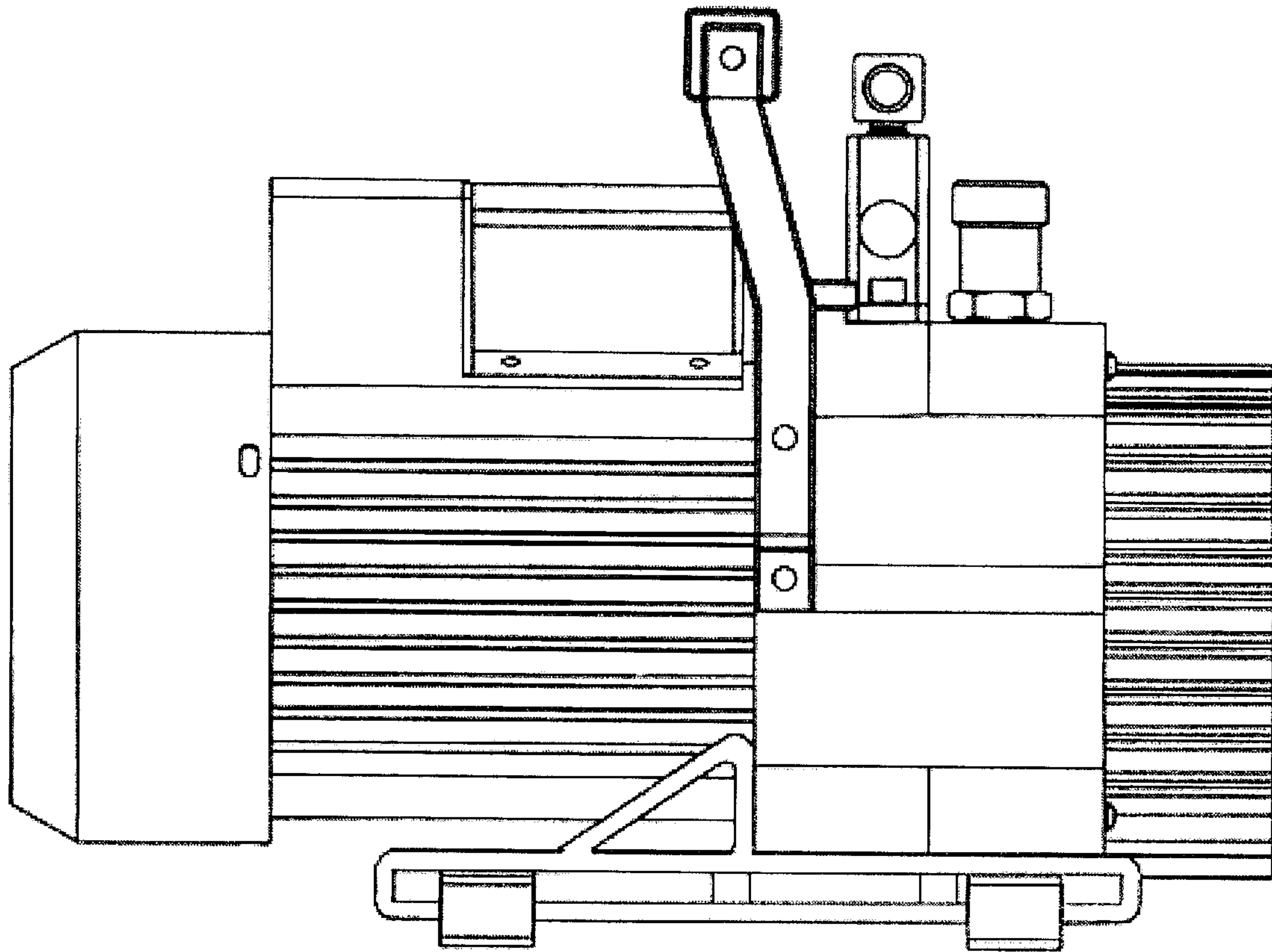


FIGURE 4

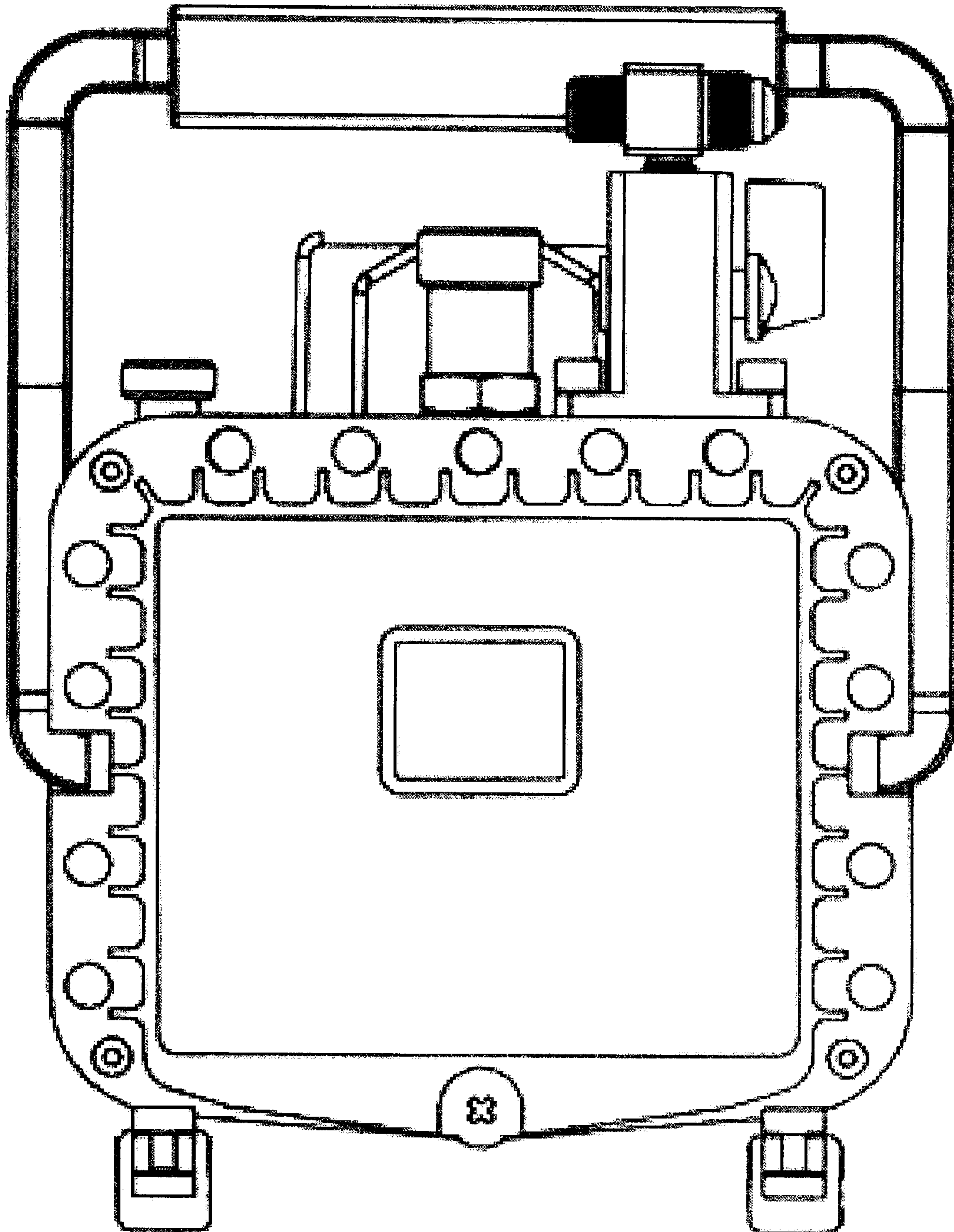


FIGURE 5

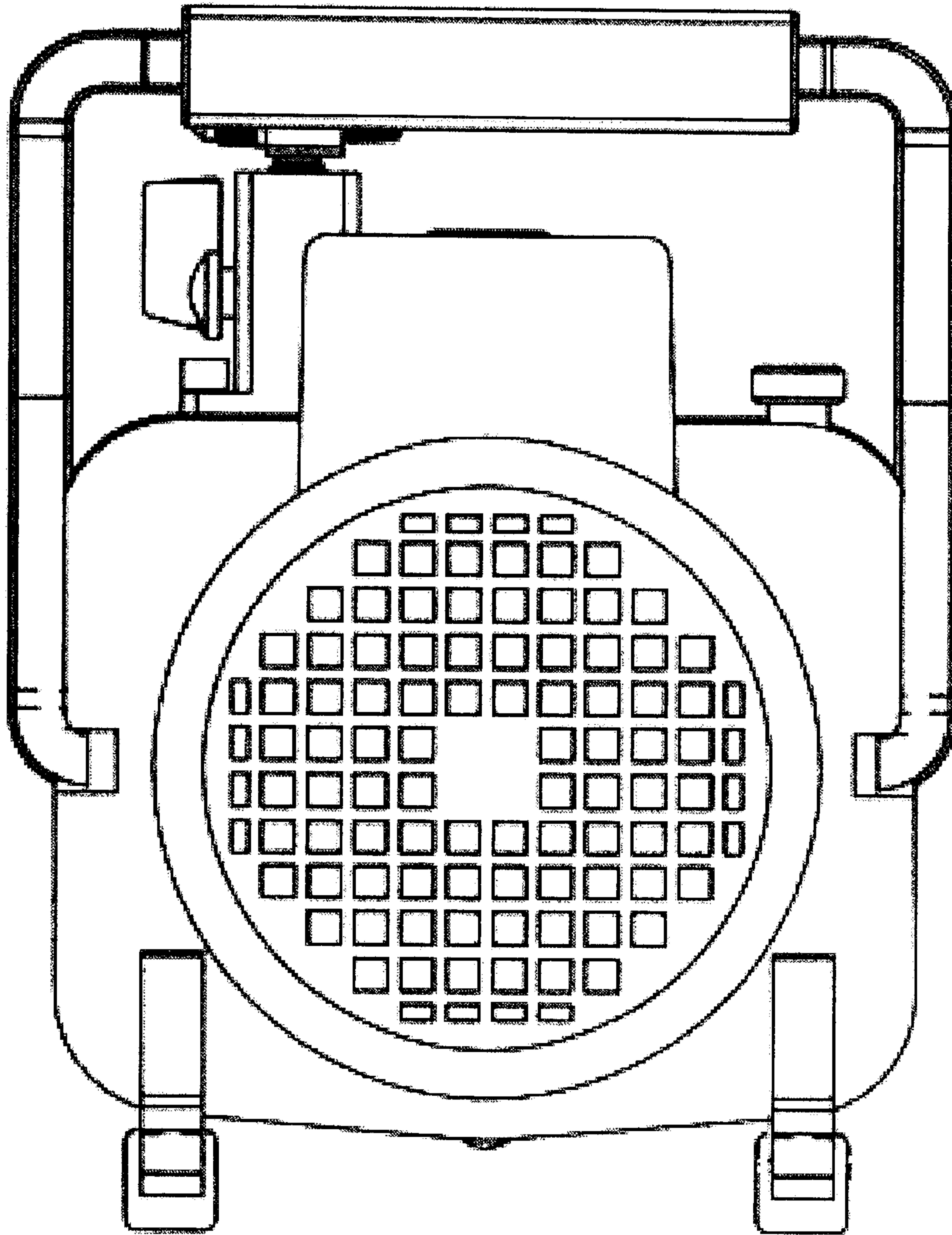


FIGURE 6



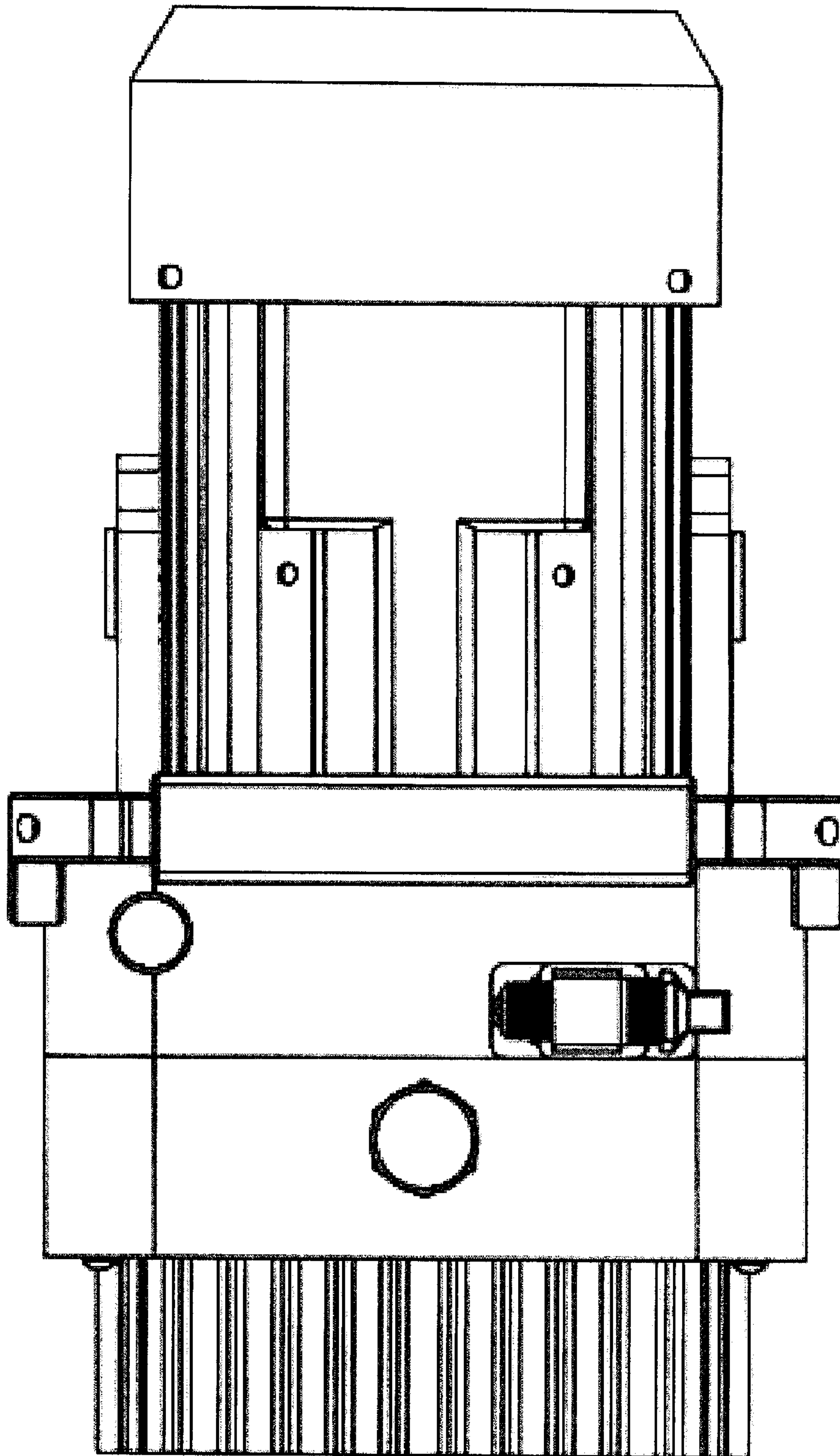


FIGURE 7



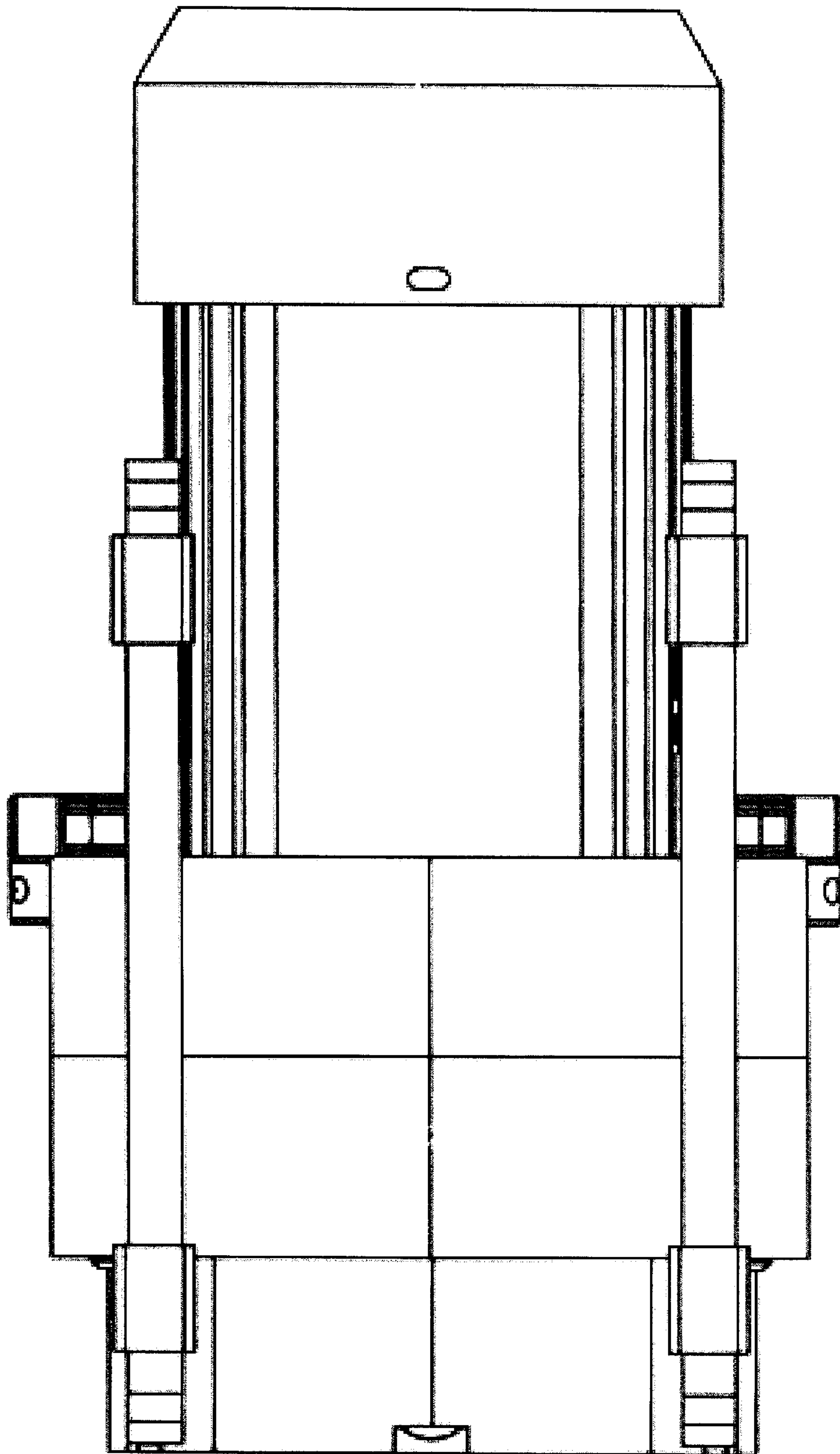


FIGURE 8