



US00D518067S

(12) **United States Design Patent**
Bao

(10) **Patent No.:** **US D518,067 S**

(45) **Date of Patent:** **** Mar. 28, 2006**

(54) **V-TWIN CRANKCASE SUPPORT BRIDGE**

D308,850 S * 6/1990 McGuire D12/317

(76) Inventor: **Frank W. Bao**, 4705 Miami Rd.,
Cincinnati, OH (US) 45243

* cited by examiner

Primary Examiner—Caron D. Veynar

Assistant Examiner—Maurice Stevens

(74) *Attorney, Agent, or Firm*—Neal O. Willmann

(**) Term: **14 Years**

(21) Appl. No.: **29/201,417**

(57) **CLAIM**

(22) Filed: **Mar. 16, 2004**

The ornamental design for a V-twin crankcase support bridge, as shown.

(51) **LOC (8) Cl.** **15-01**

DESCRIPTION

(52) **U.S. Cl.** **D15/5**

(58) **Field of Classification Search** D15/1-5;
123/196 R, 198 C, 198 E, 195 A, 195 C,
123/195 S; 181/204; 184/6.12, 6.25; D12/317
See application file for complete search history.

FIG. 1 is a front side view of a v-twin crankcase support bridge, showing my new design;

FIG. 2 is a left side elevation view thereof;

FIG. 3 is a right side elevation view thereof;

FIG. 4 is a top plan view thereof;

FIG. 5 is a bottom plan view thereof;

FIG. 6 is a rear elevation view thereof; and,

FIG. 7 is an elevated perspective view the bridge.

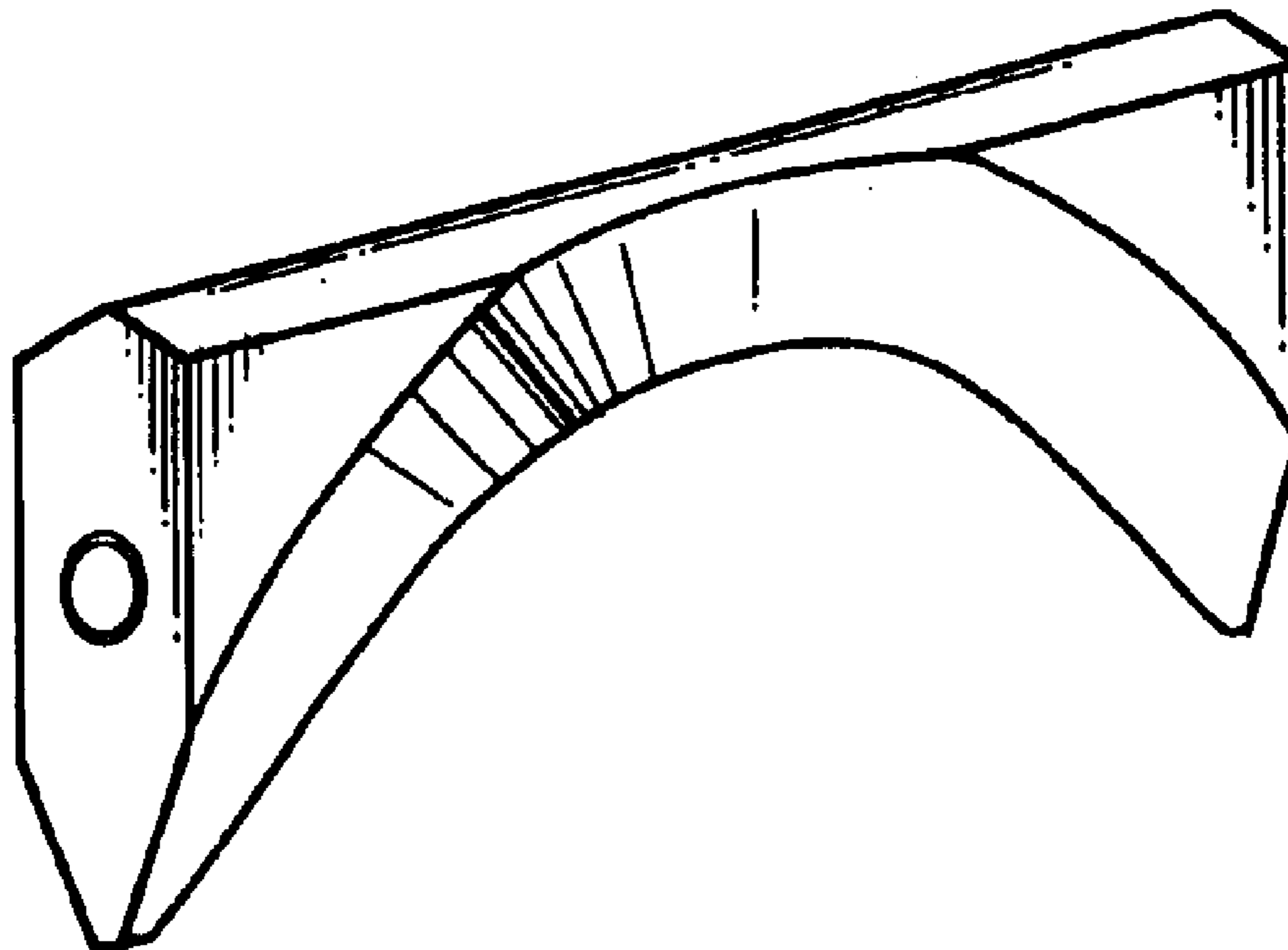
(56) **References Cited**

U.S. PATENT DOCUMENTS

4,423,707 A * 1/1984 Sihon et al. 123/195 R

4,474,541 A * 10/1984 Siewert 417/273

1 Claim, 1 Drawing Sheet



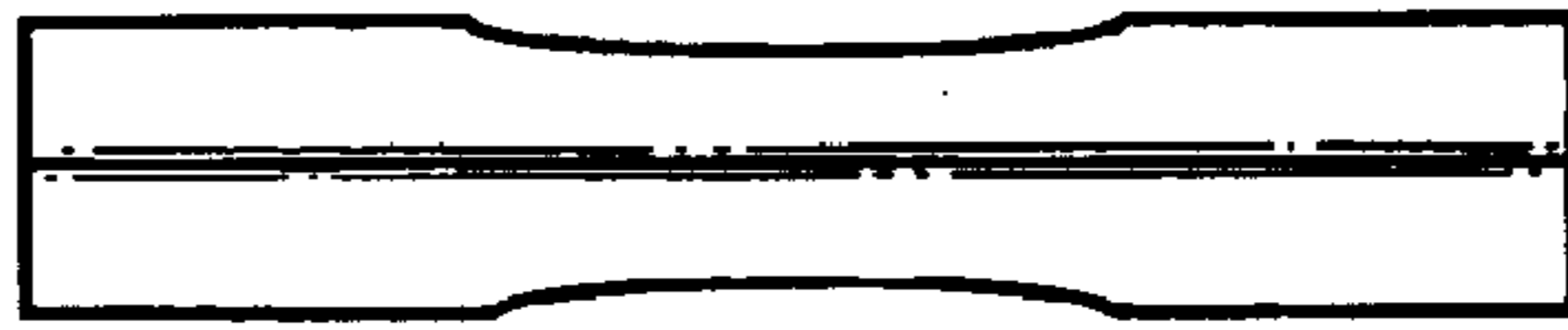


Fig. 4



Fig. 2

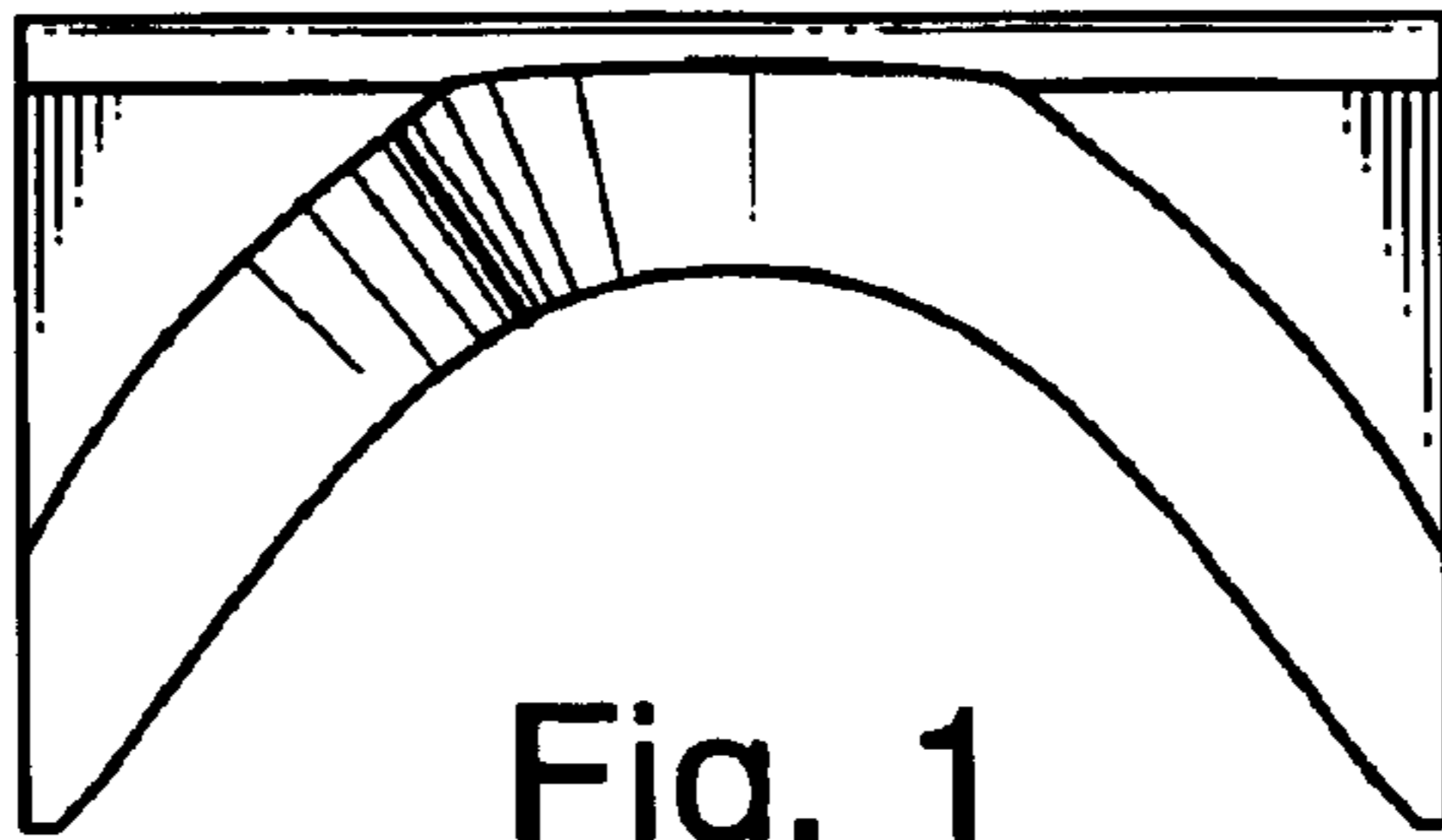


Fig. 1



Fig. 3

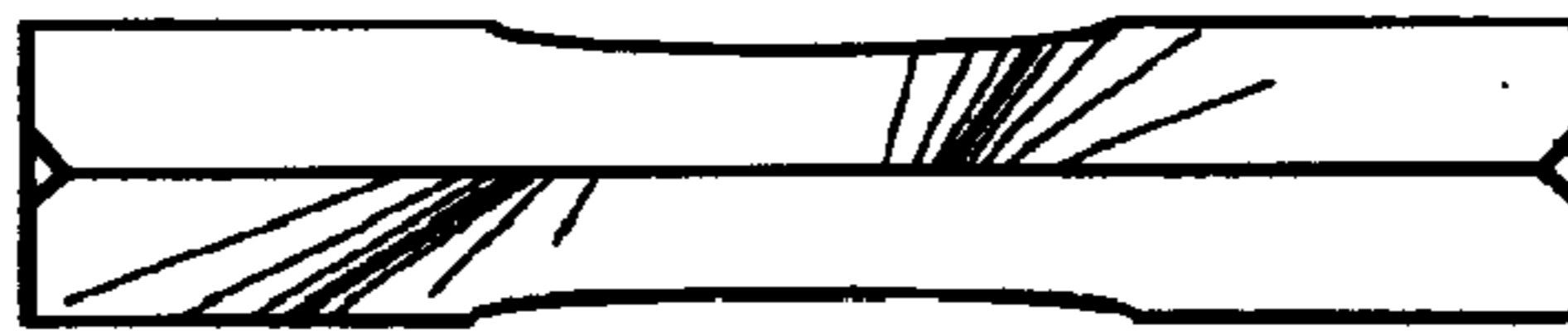


Fig. 5

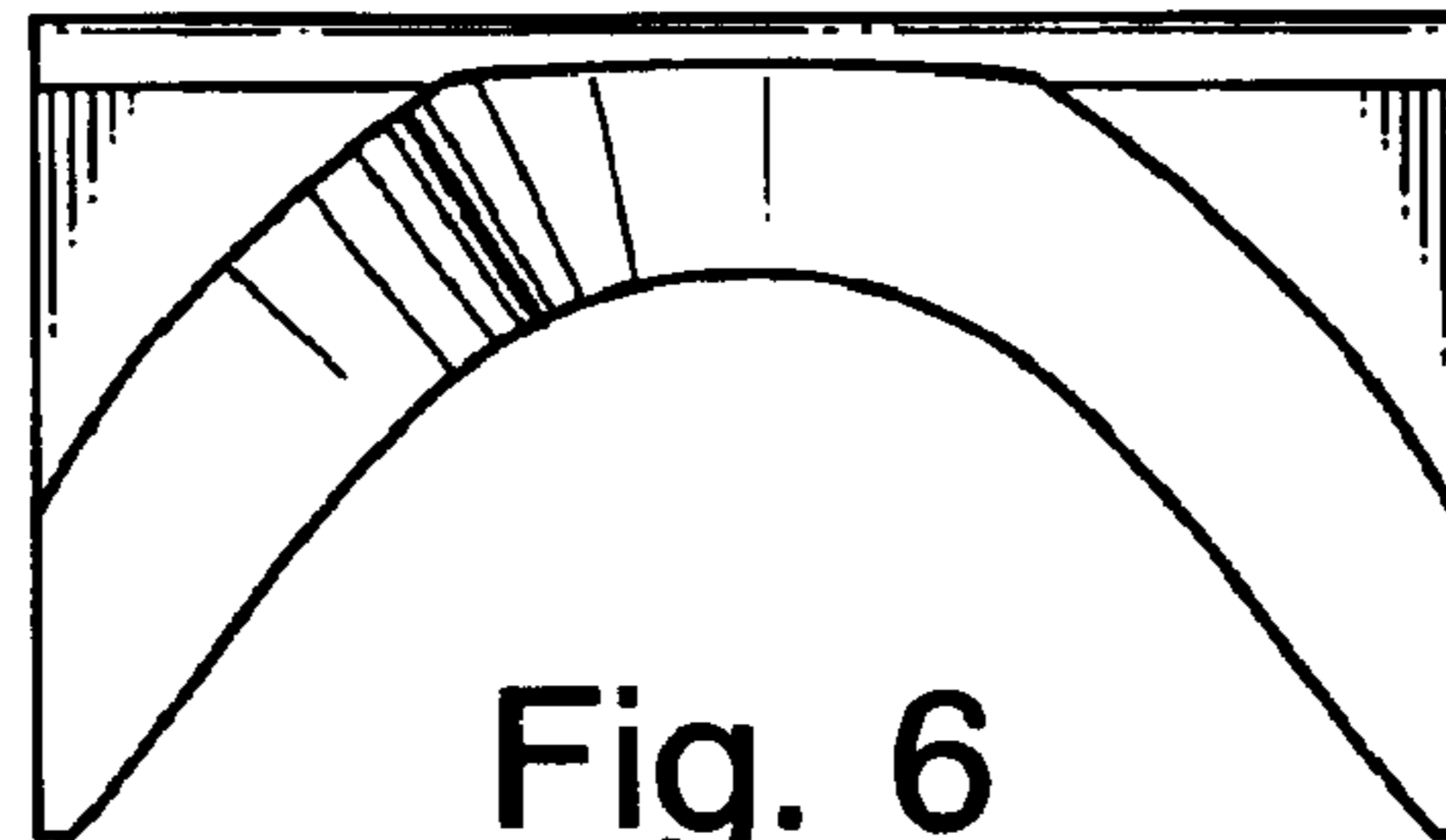


Fig. 6

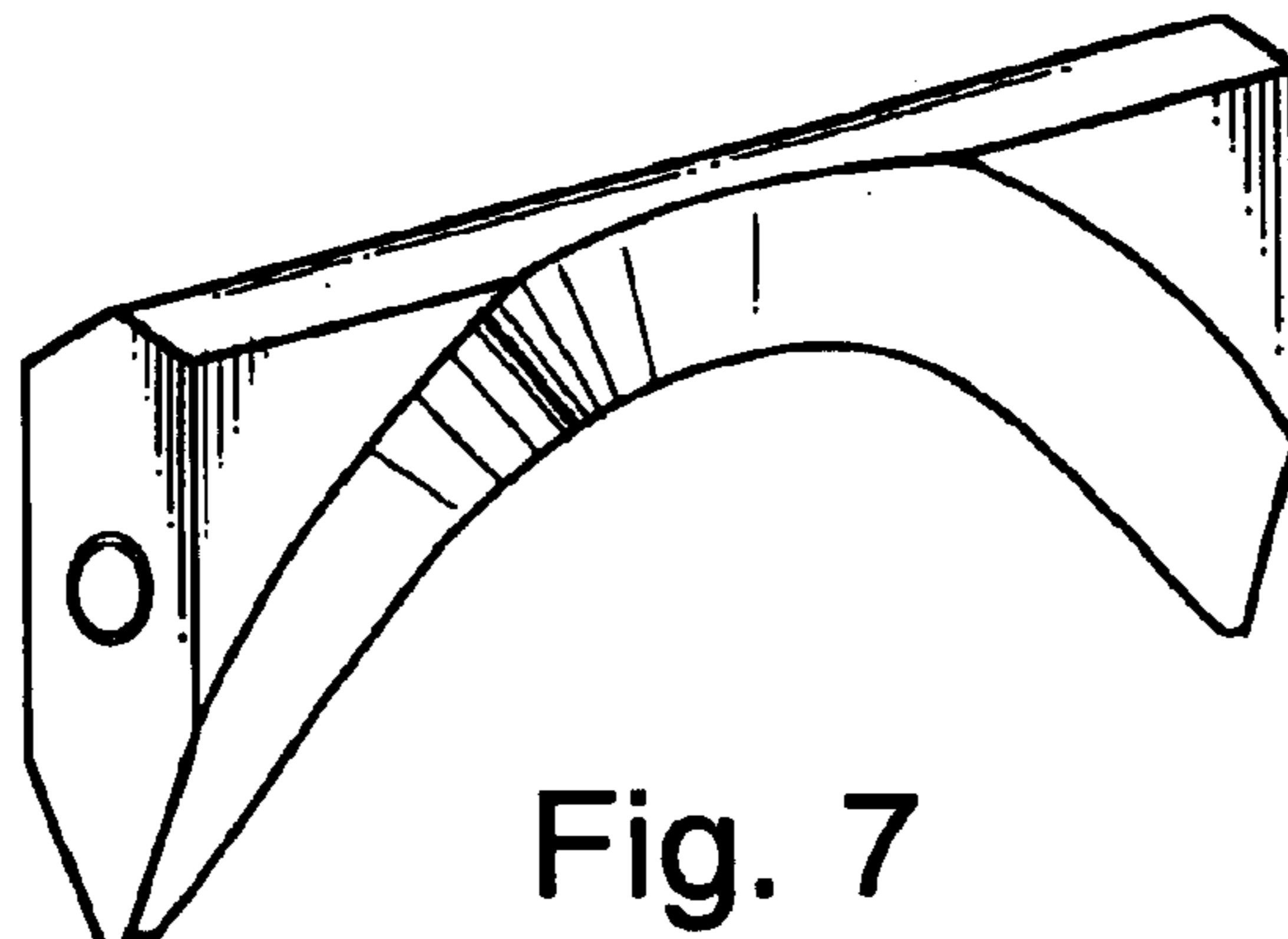


Fig. 7