



US00D518066S

(12) **United States Design Patent**
Morgan et al.

(10) **Patent No.:** **US D518,066 S**
(45) **Date of Patent:** **** Mar. 28, 2006**

(54) **UNDERWATER EXHAUST SYSTEM**

(75) Inventors: **William B. Morgan**, Santa Barbara, CA (US); **Connie L. Morgan**, Santa Barbara, CA (US); **Trent M. Schultz**, Goleta, CA (US); **Peter M. Ryan**, Orcutt, CA (US)

(73) Assignee: **Kirby Morgan Dive Systems, Inc.**, Santa Barbara, CA (US)

(**) Term: **14 Years**

(21) Appl. No.: **29/204,047**

(22) Filed: **Apr. 22, 2004**

(51) **LOC (8) Cl.** **15-01**

(52) **U.S. Cl.** **D15/4**

(58) **Field of Classification Search** D15/1-6;
440/32, 49, 53, 57, 900, 84, 88, 89, 89 R,
440/44, 88 J, 88 R, 89 C, 89 D; 60/312,
60/313, 323, 274, 324, 305, 298, 321; 63/310,
63/312, 313, 323

See application file for complete search history.

(56) **References Cited**

U.S. PATENT DOCUMENTS

D346,387 S * 4/1994 Cooper D15/4

6,644,024 B1 * 11/2003 Powers et al. 60/320
6,652,337 B1 * 11/2003 Logan et al. 440/88 J
6,783,413 B1 * 8/2004 Nakata et al. 440/89 R
6,840,038 B1 * 1/2005 Katayama et al. 60/312

* cited by examiner

Primary Examiner—Caron D. Veynar

Assistant Examiner—Maurice Stevens

(74) *Attorney, Agent, or Firm*—Cislo & Thomas LLP

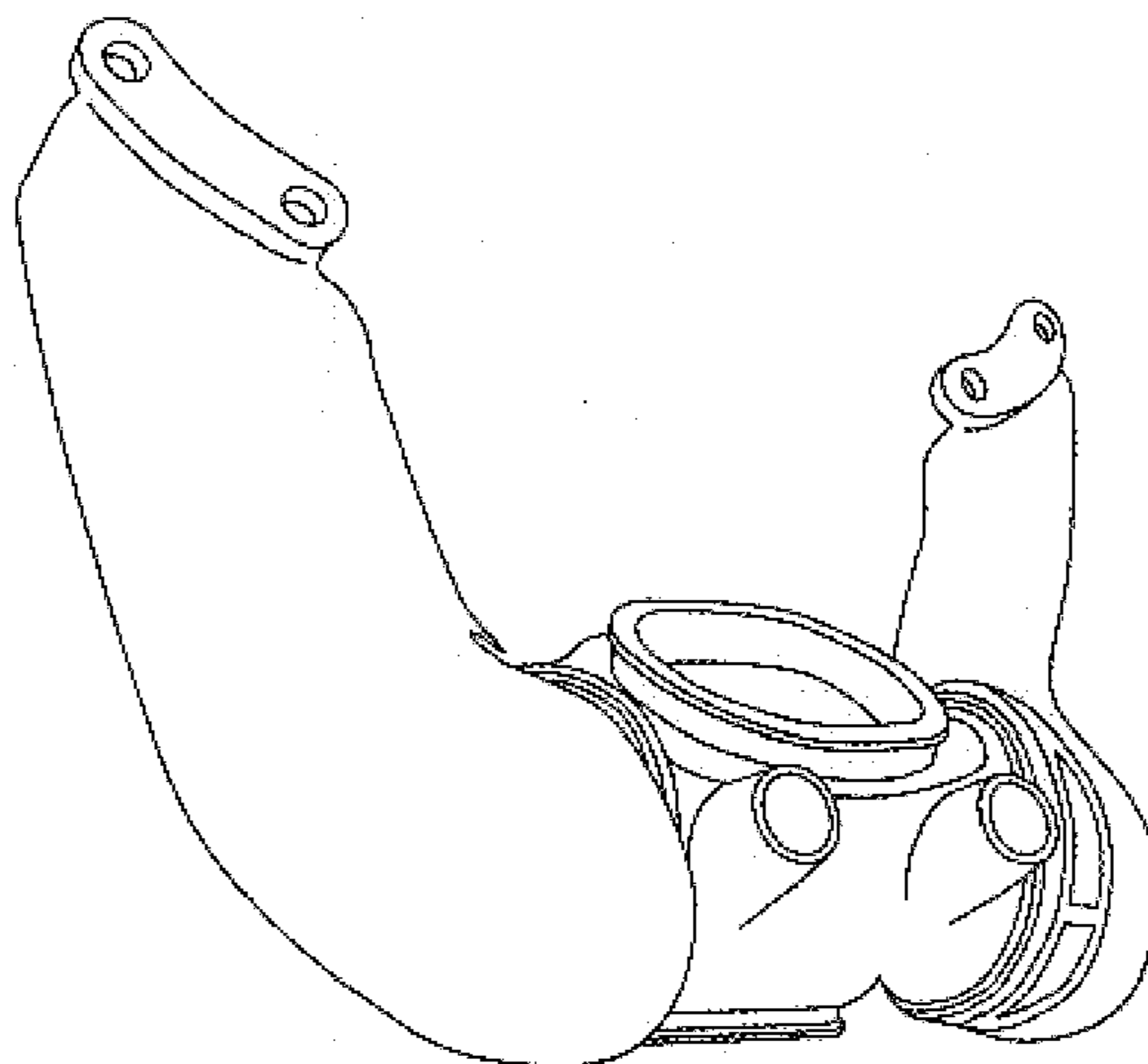
(57) **CLAIM**

The ornamental design for an underwater exhaust system, as shown and described.

DESCRIPTION

FIG. 1. Is a front view of our underwater exhaust system;
FIG. 2. Is a front perspective view of our underwater exhaust system;
FIG. 3. Is a right side view thereof with the left side view being a mirror image thereof;
FIG. 4. Is a back view thereof;
FIG. 5. Is a bottom view thereof; and,
FIG. 6. Is a top view thereof.

1 Claim, 6 Drawing Sheets



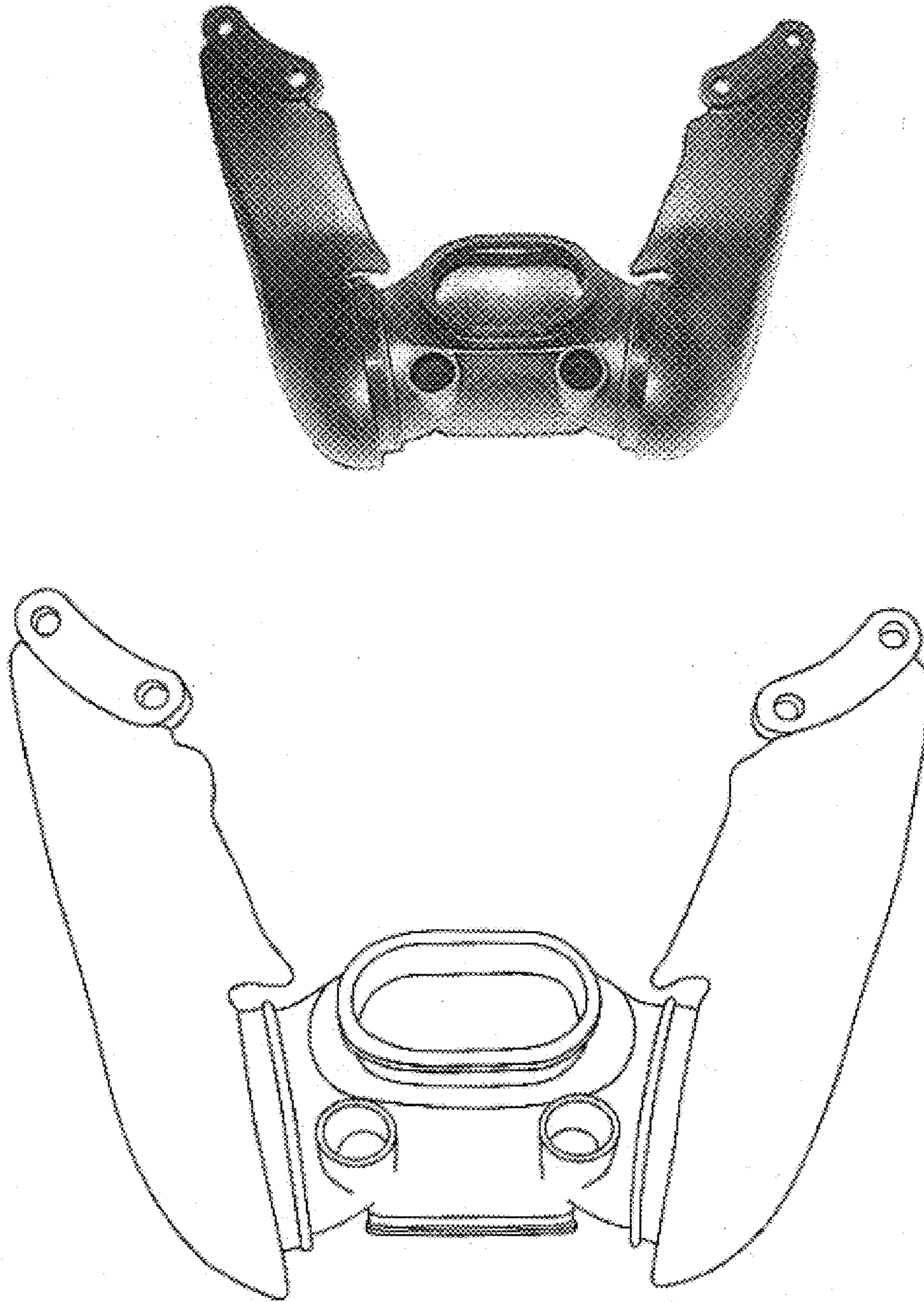


Fig. 1

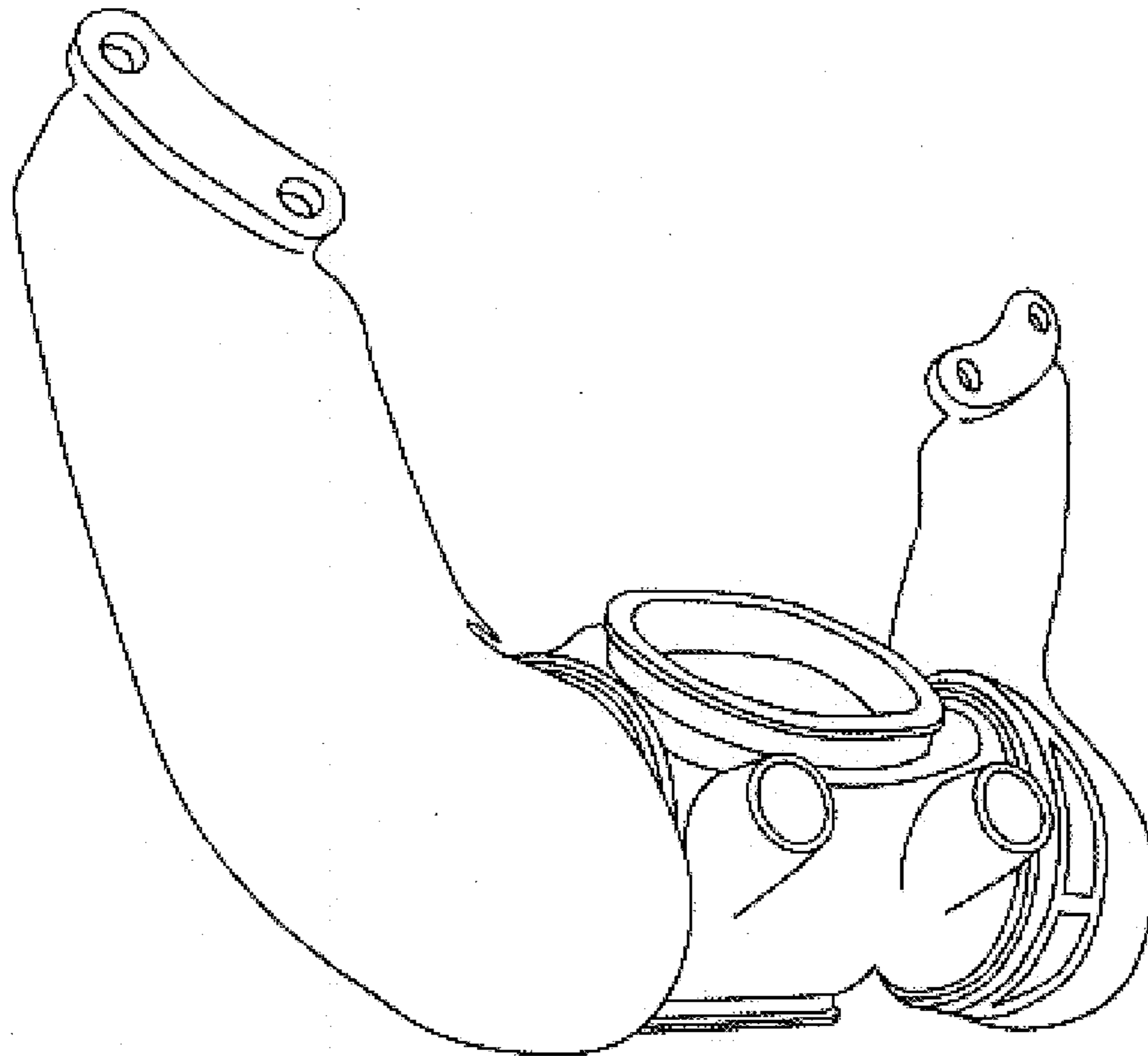
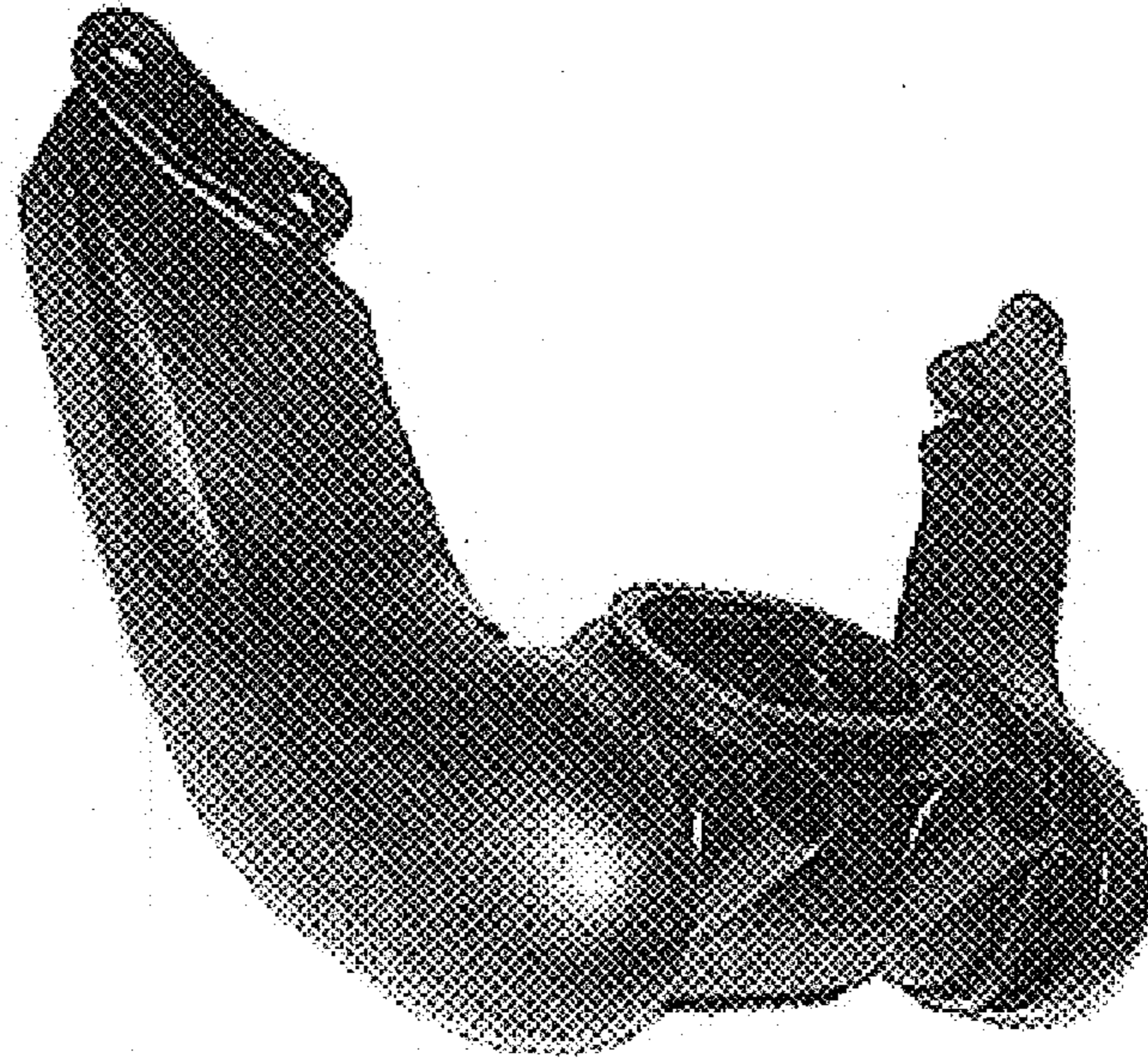


Fig. 2

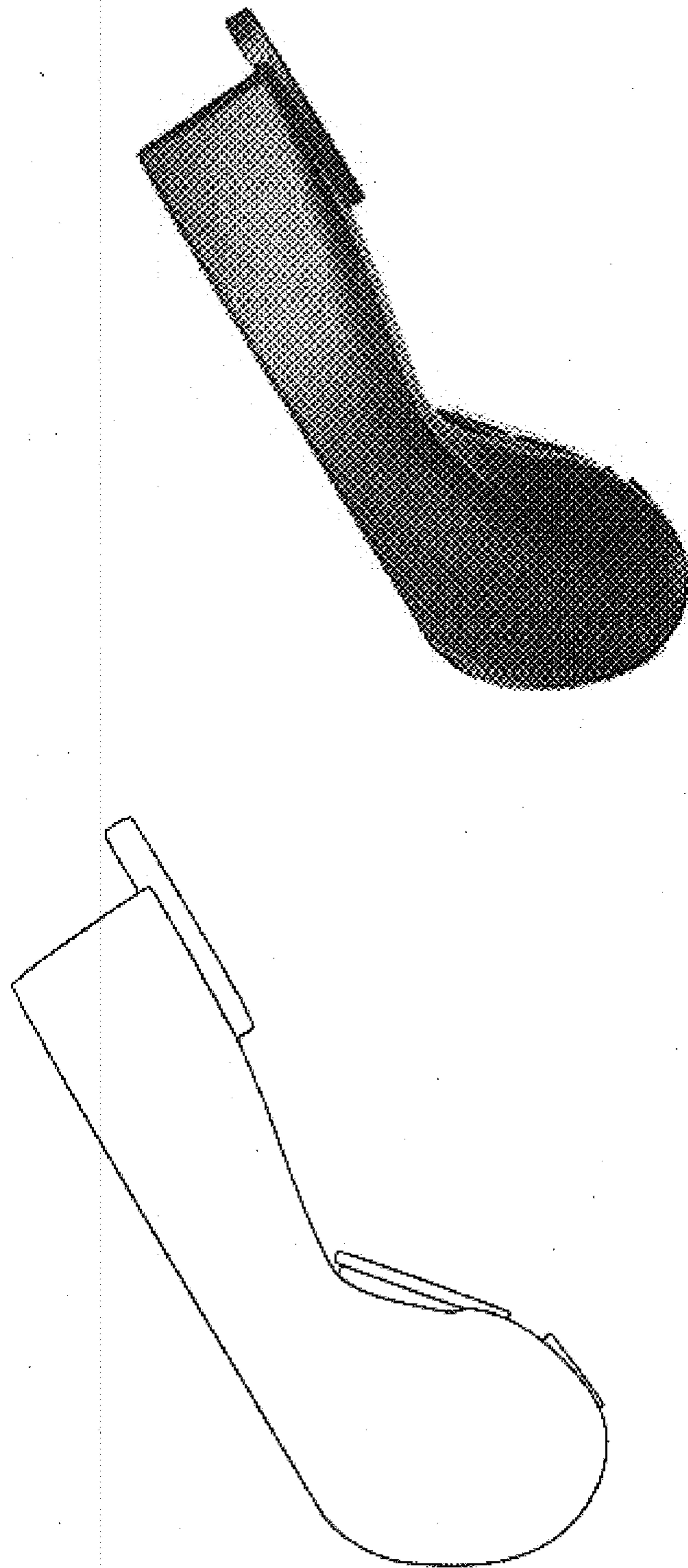


Fig. 3

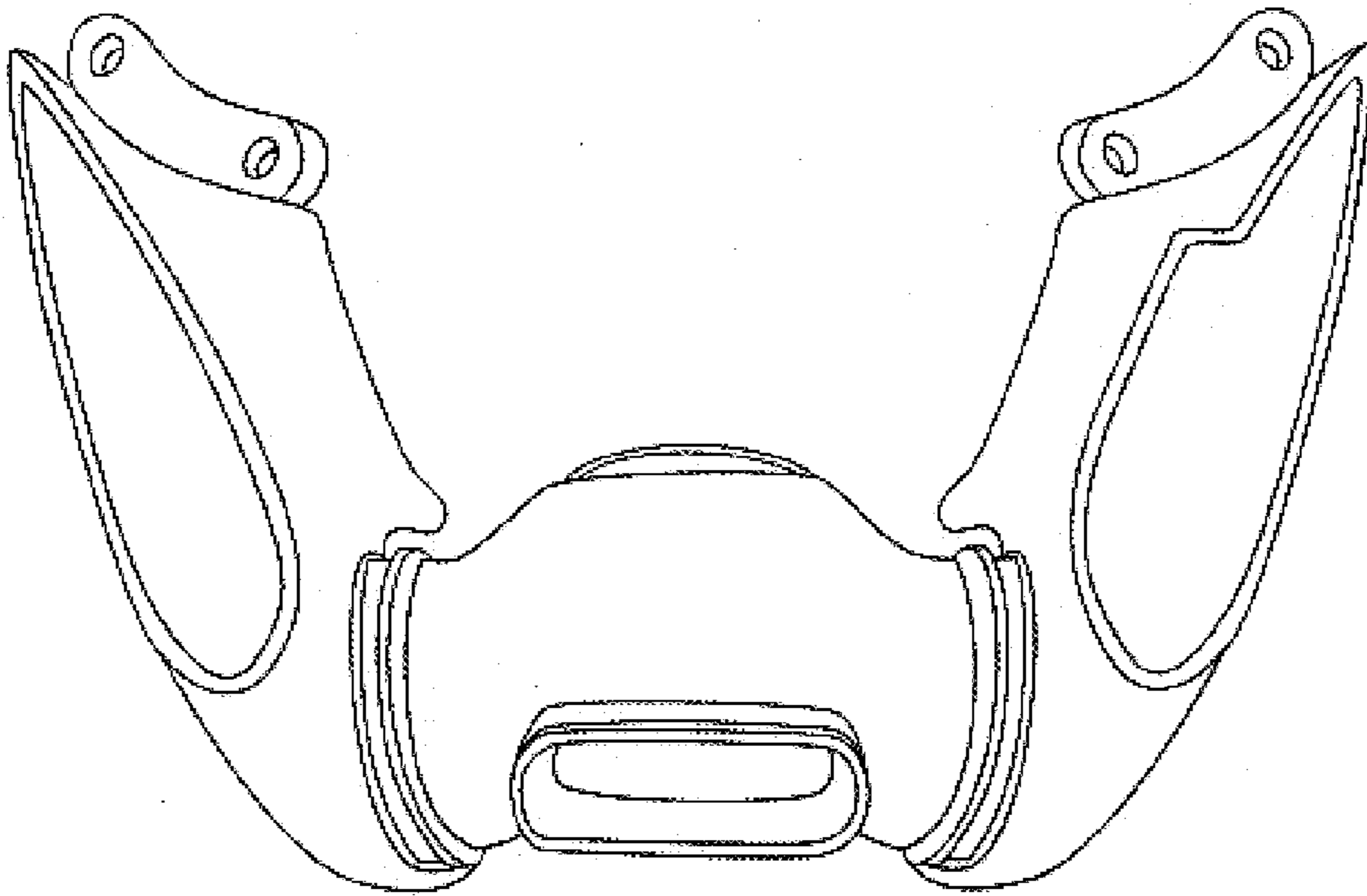
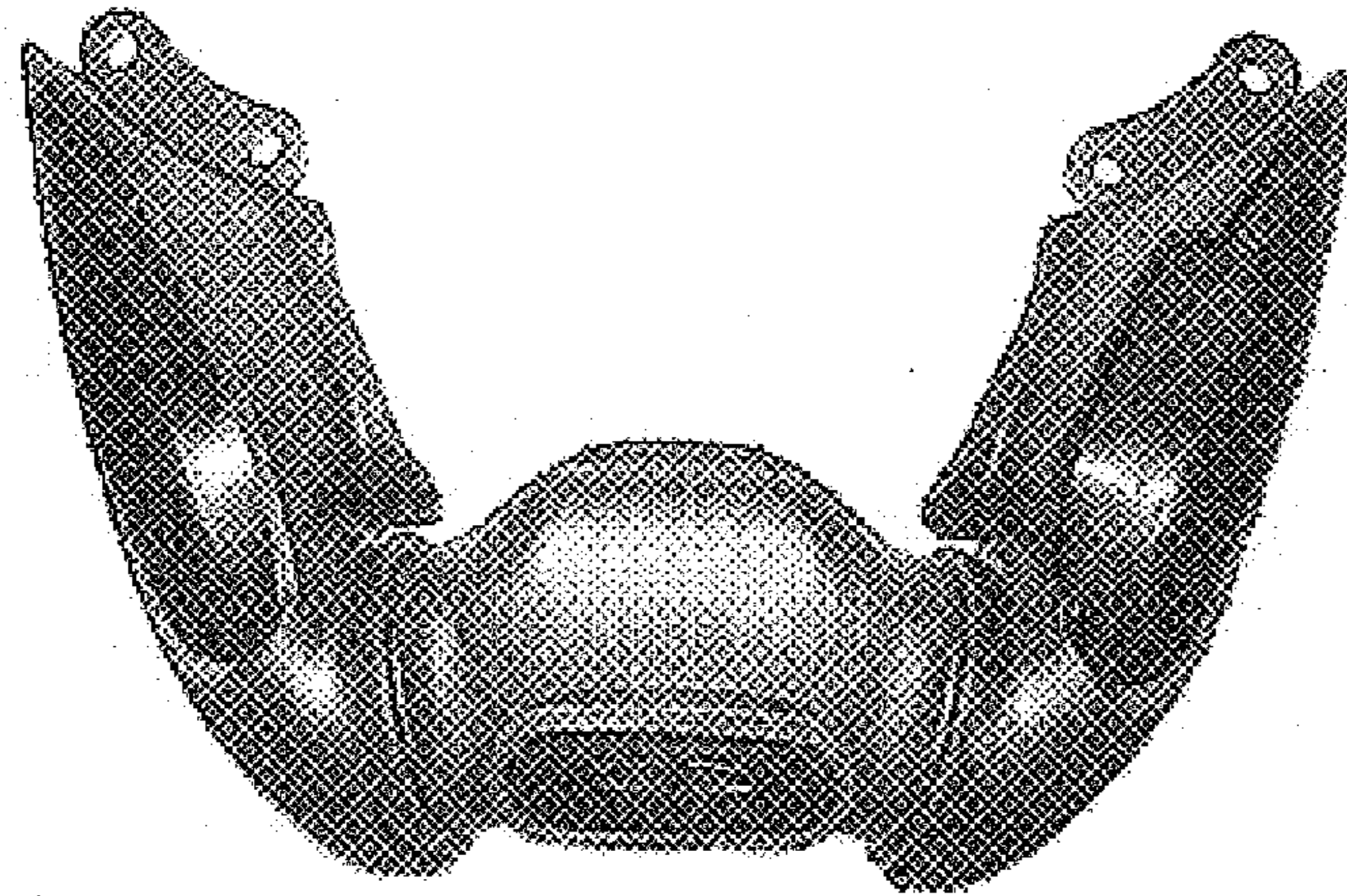


Fig. 4

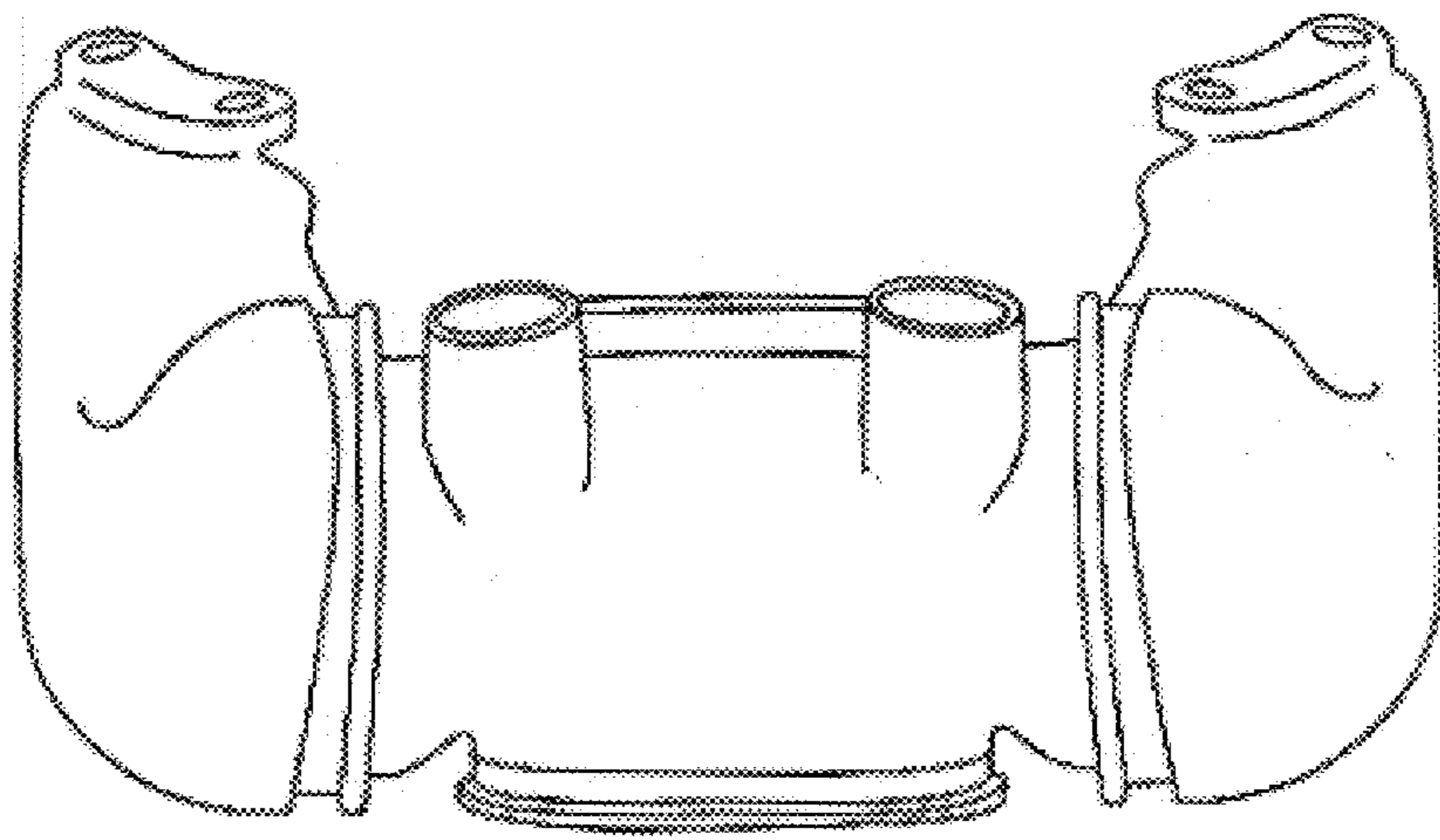
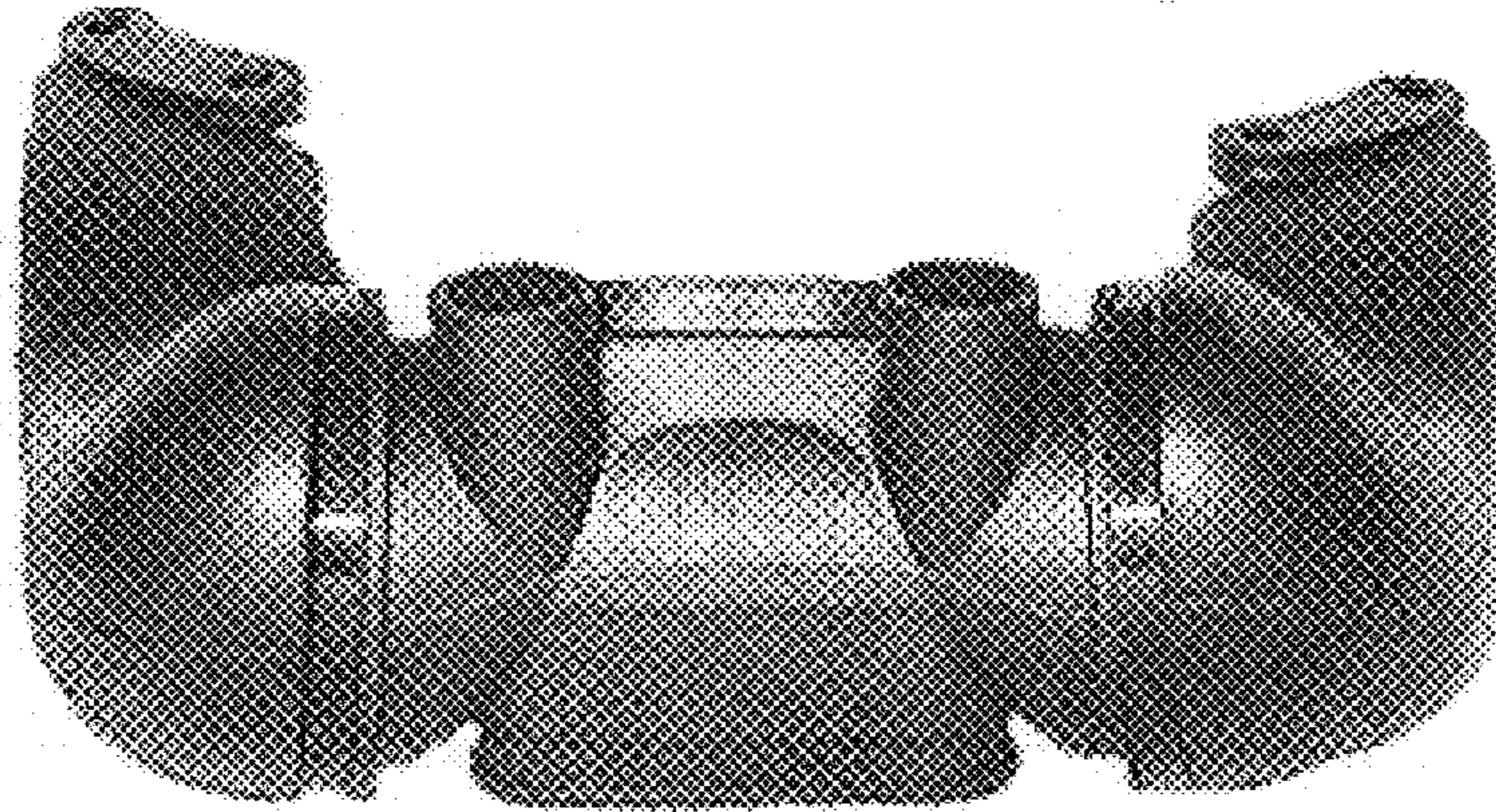


Fig. 5

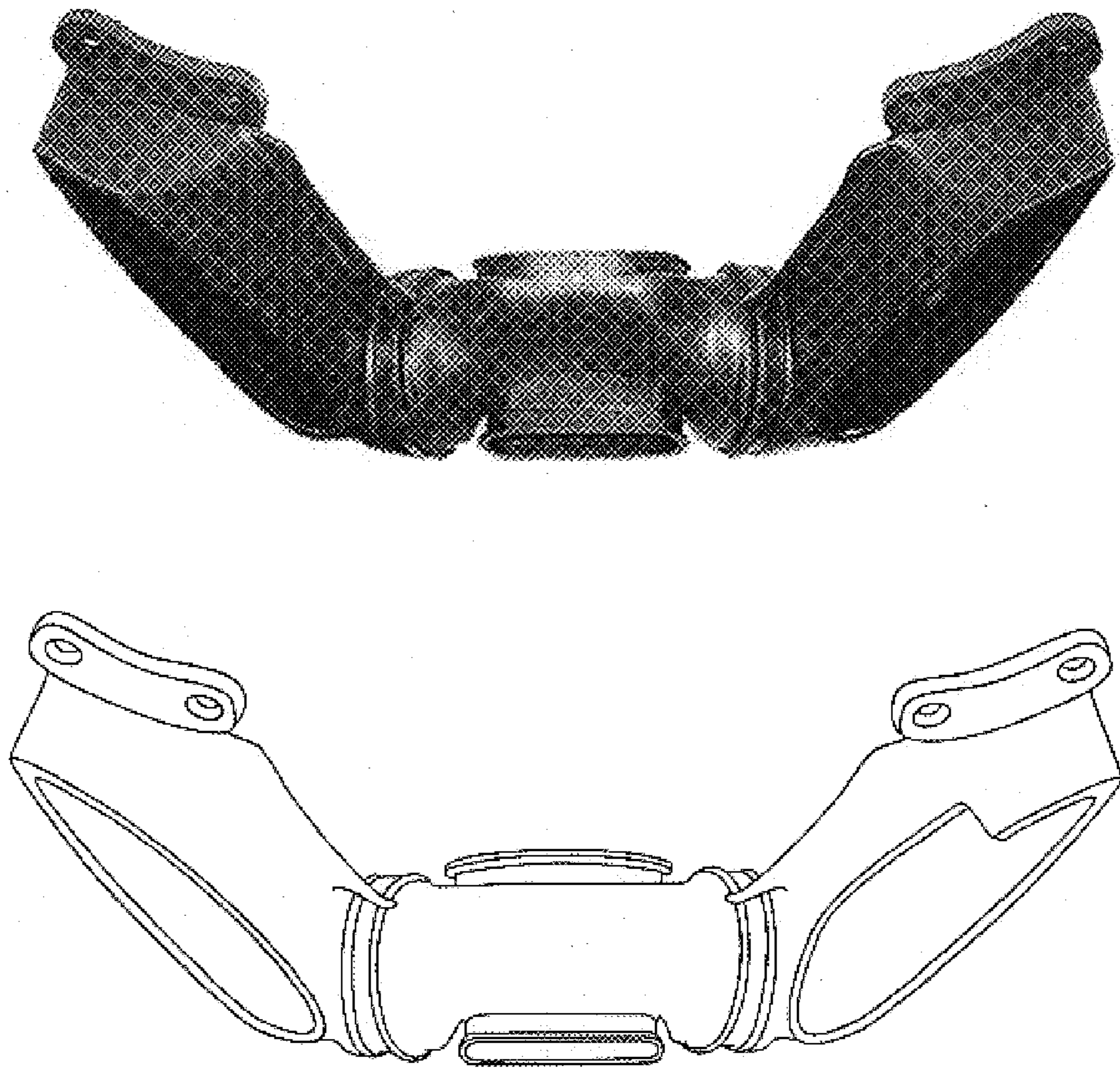


Fig. 6