

US00D518063S

(12) **United States Design Patent**  
**Piazza et al.**

(10) **Patent No.:** **US D518,063 S**  
(45) **Date of Patent:** **\*\* Mar. 28, 2006**

(54) **SUPPORT ARM FOR A DISPLAY**  
(75) Inventors: **Anthony Piazza**, Palo Alto, CA (US);  
**Steven L. Atkins**, Mountain View, CA  
(US); **James Yurchenco**, Palo Alto, CA  
(US); **John Smith**, San Francisco, CA  
(US); **Jonathan I. Kaplan**, Palo Alto,  
CA (US); **Paul Frey**, San Francisco,  
CA (US); **Mark Siminoff**, San Jose, CA  
(US)

(73) Assignee: **Steelcase Development Corporation**,  
Grand Rapids, MI (US)

(\*\*) Term: **14 Years**

(21) Appl. No.: **29/223,429**

(22) Filed: **Feb. 14, 2005**

(51) **LOC (8) Cl.** ..... **08-07**

(52) **U.S. Cl.** ..... **D14/452**

(58) **Field of Classification Search** ..... 248/274.1,  
248/276.1, 278.1, 282.1, 917, 280.11, 288.11,  
248/921, 122.1, 919, 279.1, 536, 516, 519,  
248/309.1, 145, 284.1, 314, 286.1, 281.11,  
248/123.11, 125.7, 291.1, 285.1; D14/452,  
D14/448, 451, 447; D8/363, 373, 349, 380,  
D8/355; D26/63, 140, 65; 312/7.2; 361/680-686;  
403/164, 117; 362/430, 427; D6/418, 567,  
D6/491, 330, 338

See application file for complete search history.

(56) **References Cited**

**U.S. PATENT DOCUMENTS**

D246,534 S \* 11/1977 Buckley ..... D24/177  
4,548,373 A \* 10/1985 Komura ..... 248/122.1  
4,836,486 A \* 6/1989 Vossoughi et al. .... 248/281.11  
D311,829 S \* 11/1990 Vossoughi ..... D6/418  
D323,323 S \* 1/1992 Klaebel ..... D14/452

D325,868 S \* 5/1992 Bartok ..... D8/380  
D363,492 S \* 10/1995 Brusing ..... D14/251  
D377,125 S \* 1/1997 Adamsson ..... D6/418  
5,609,316 A \* 3/1997 Tigliev ..... 248/123.11  
D391,946 S \* 3/1998 Rosen ..... D14/452  
5,923,528 A \* 7/1999 Lee ..... 361/681  
6,179,263 B1 \* 1/2001 Rosen et al. .... 248/278.1  
6,409,134 B1 \* 6/2002 Oddsen, Jr. .... 248/274.1  
2002/0011544 A1 \* 1/2002 Bosson ..... 248/121

\* cited by examiner

*Primary Examiner*—Alan P. Douglas  
*Assistant Examiner*—Susan Moon Lee

(74) *Attorney, Agent, or Firm*—Quarles & Brady LLP

(57) **CLAIM**

The ornamental design for a support arm for a display, as shown and described.

**DESCRIPTION**

In a preferred embodiment, the nature of this product is an adjustable support arm for a flat panel display for a computer.

FIG. 1 is a rear, right perspective view of a support arm for a display embodying our new design;

FIG. 2 is a front elevational view thereof;

FIG. 3 is a left side elevational view thereof;

FIG. 4 is a right side elevational view thereof;

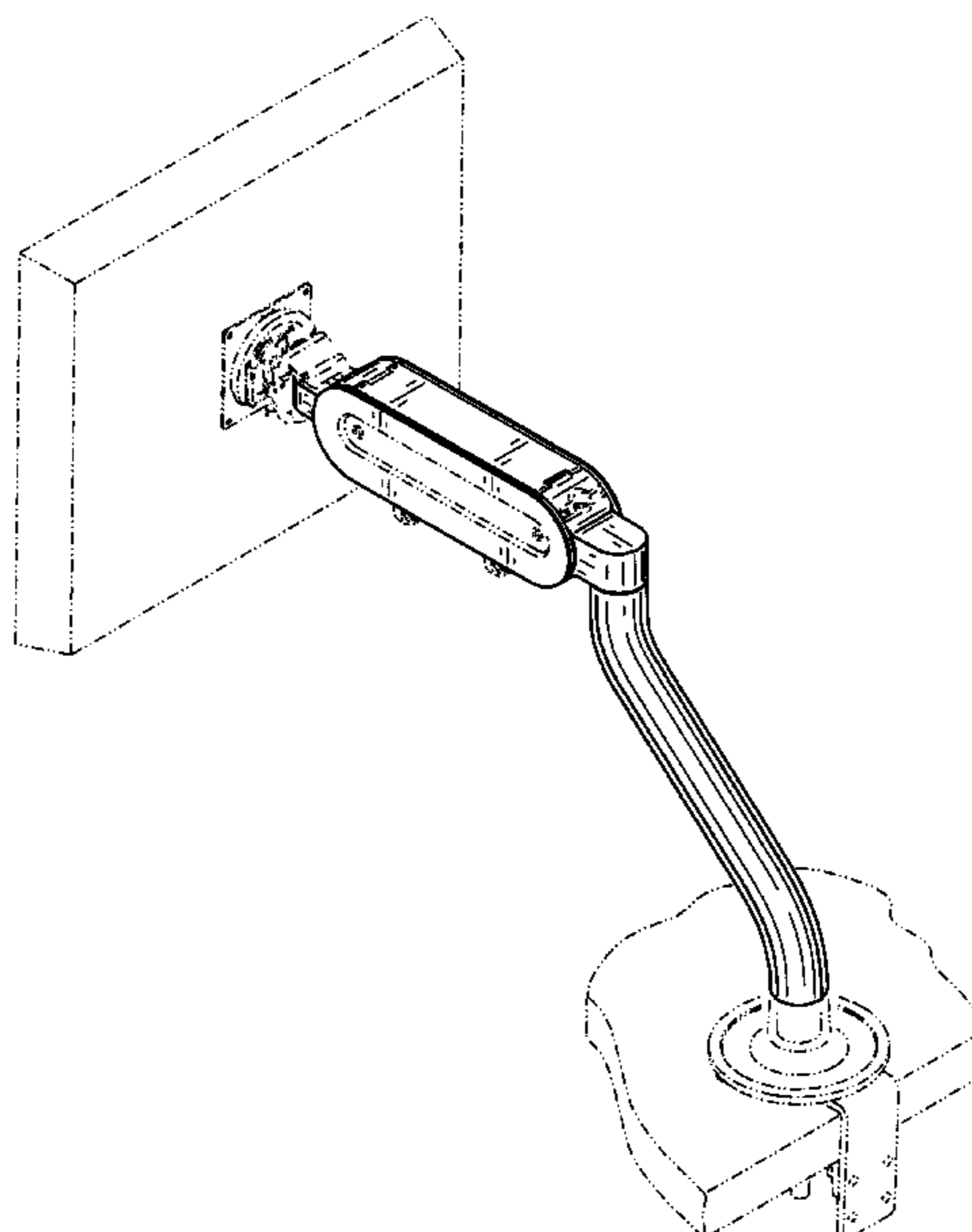
FIG. 5 is a rear elevational view thereof;

FIG. 6 is a top plan view thereof; and,

FIG. 7 is a bottom plan view thereof.

The broken line representations of a display in FIGS. 1 and 3-7, of display mounting structure in FIGS. 1 and 3-7, of recessed side wall areas in FIGS. 1, 3 and 4, of hooks in FIGS. 1-4 and 7, of an adjustment dial in FIGS. 1, 3, 4, 5 and 6, and of a table in FIGS. 1 and 6, are for the purpose of illustration only, and form no part of the claimed design.

**1 Claim, 4 Drawing Sheets**



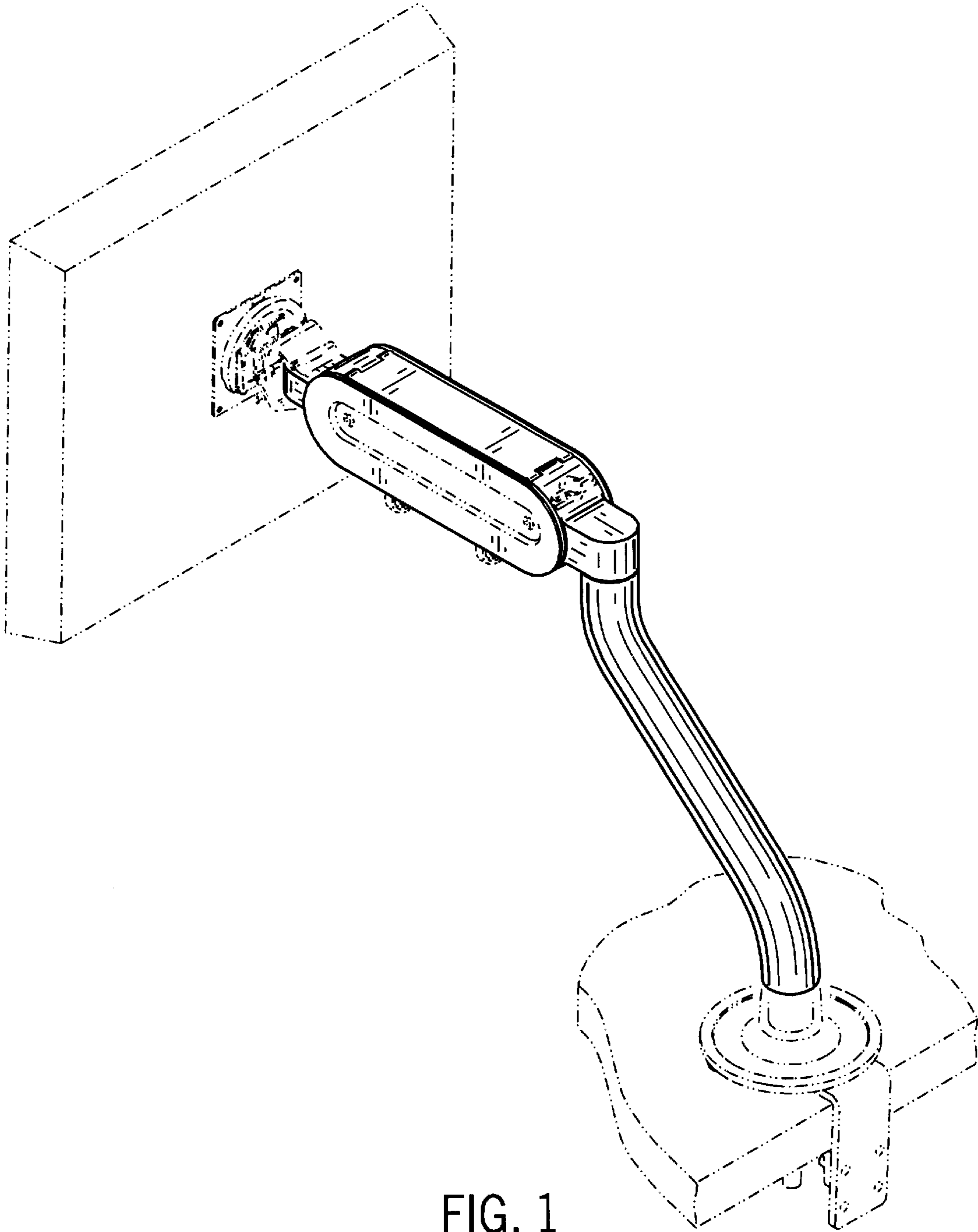


FIG. 1

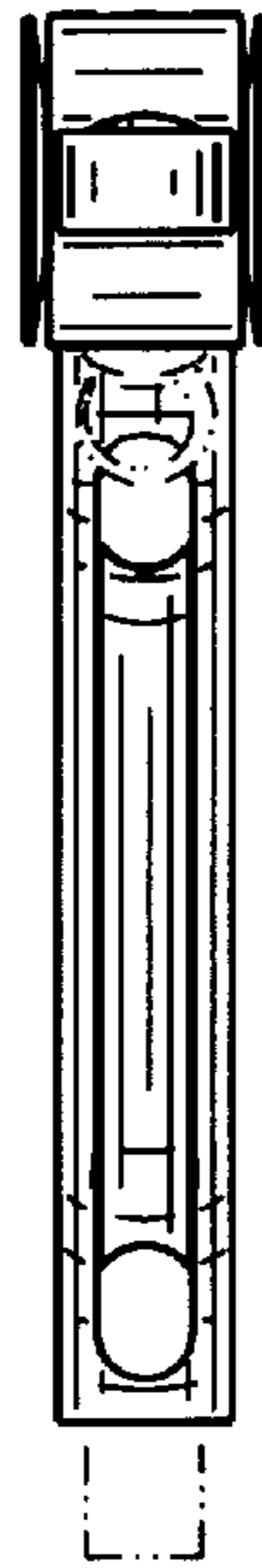


FIG. 2

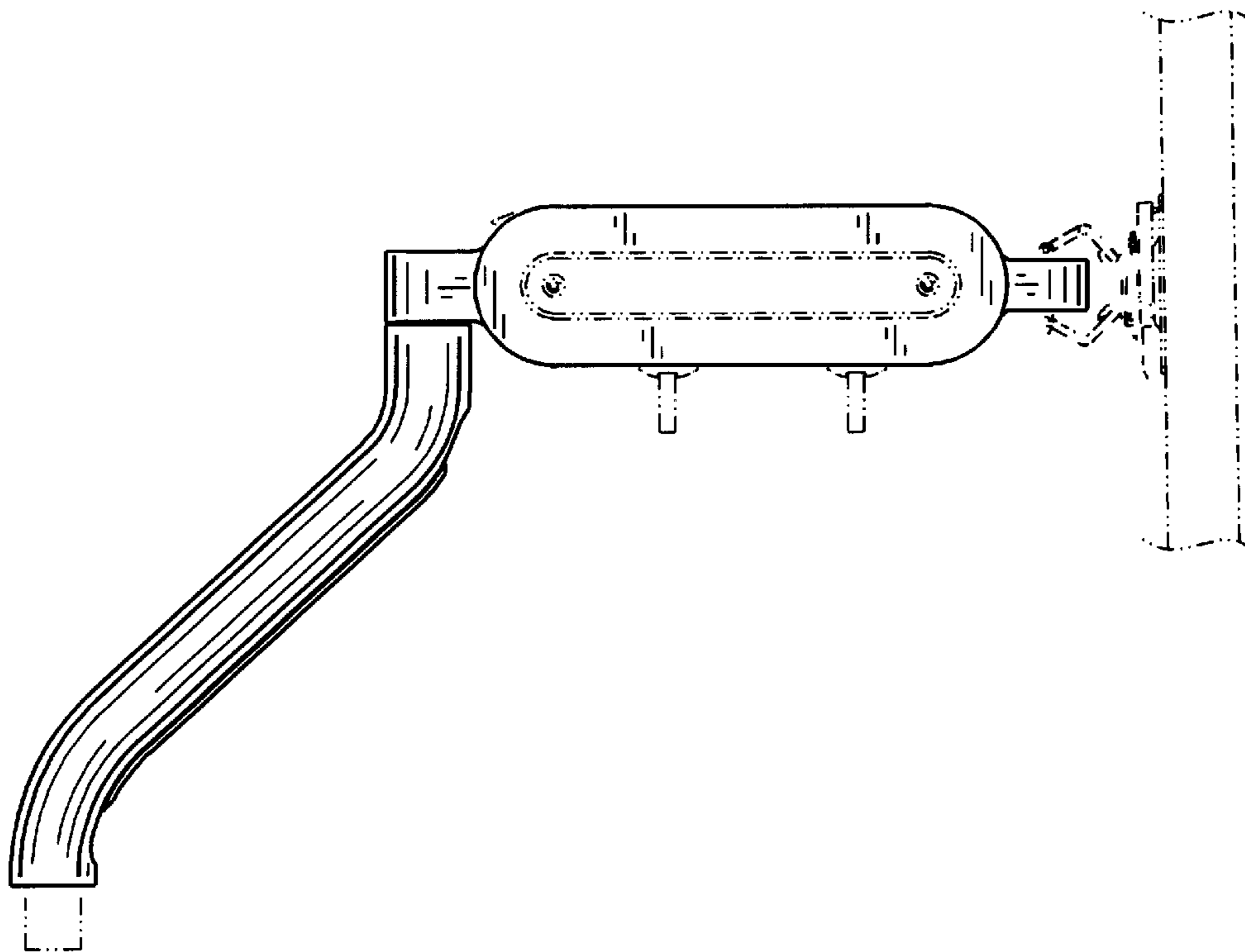


FIG. 3

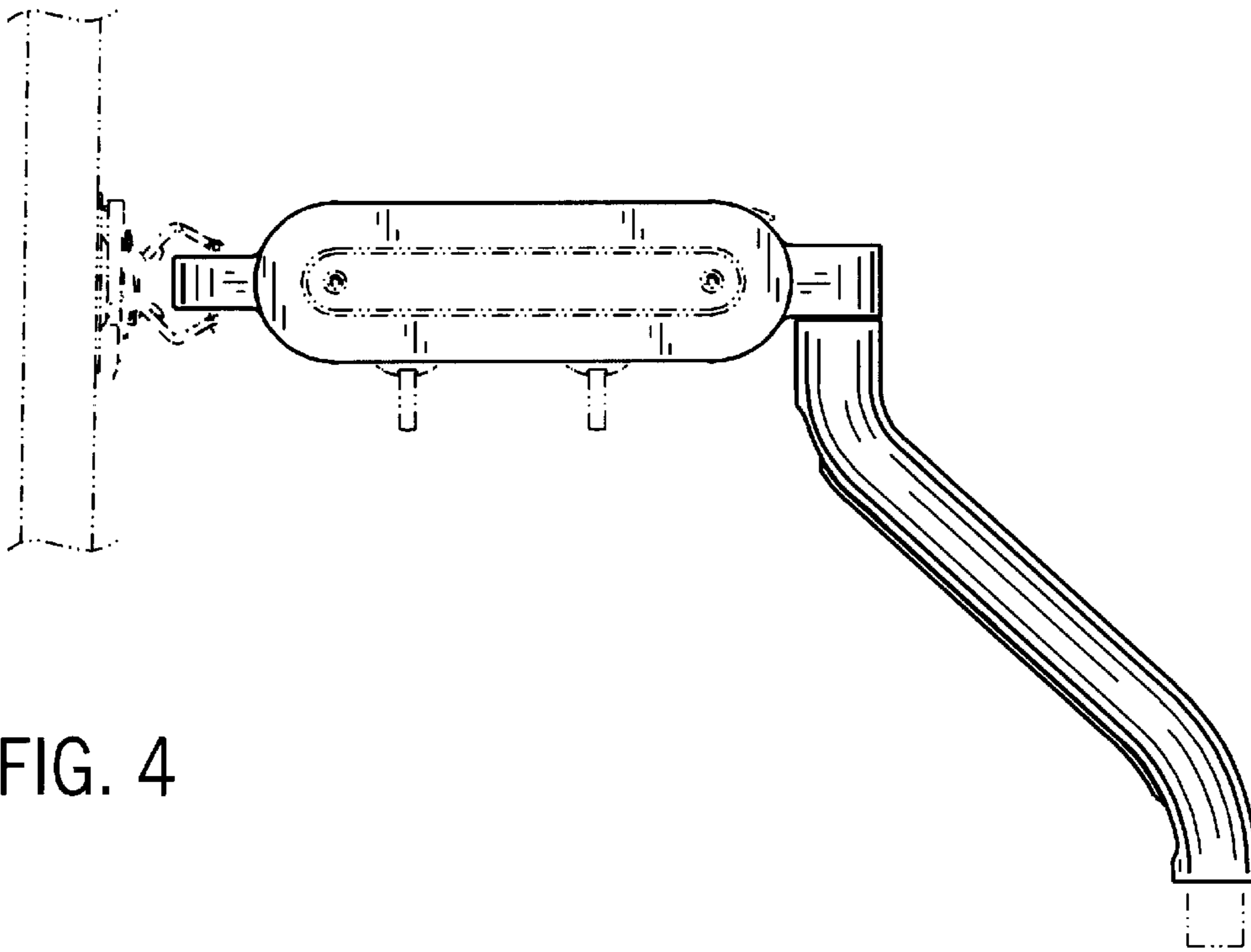


FIG. 4

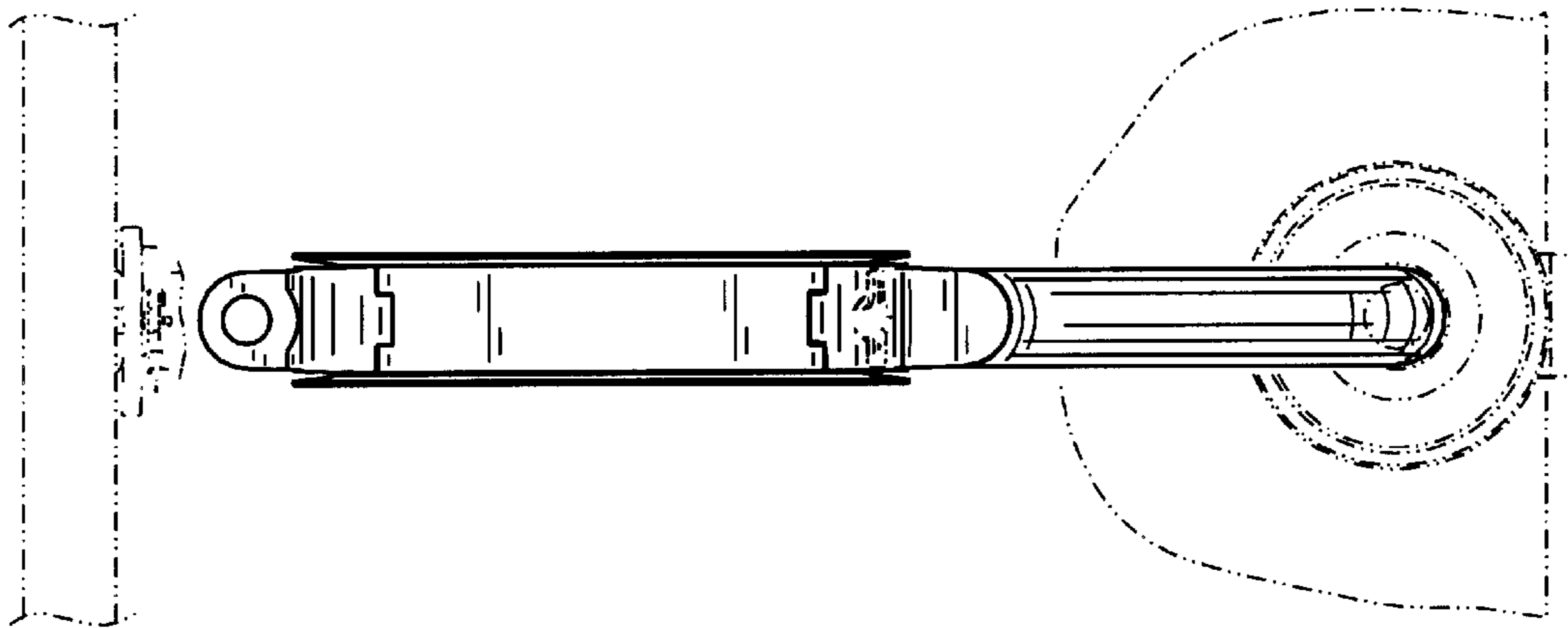


FIG. 6

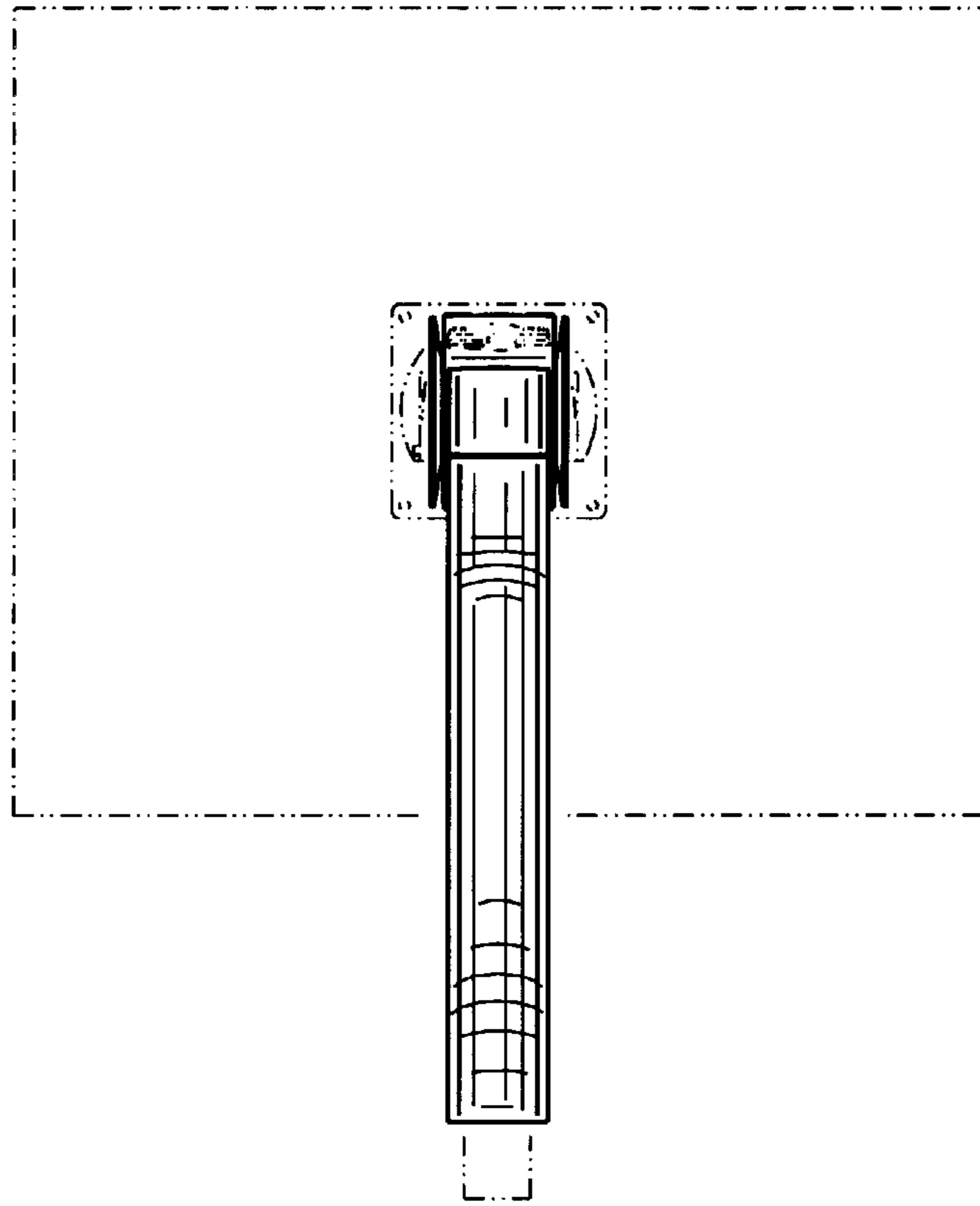


FIG. 5

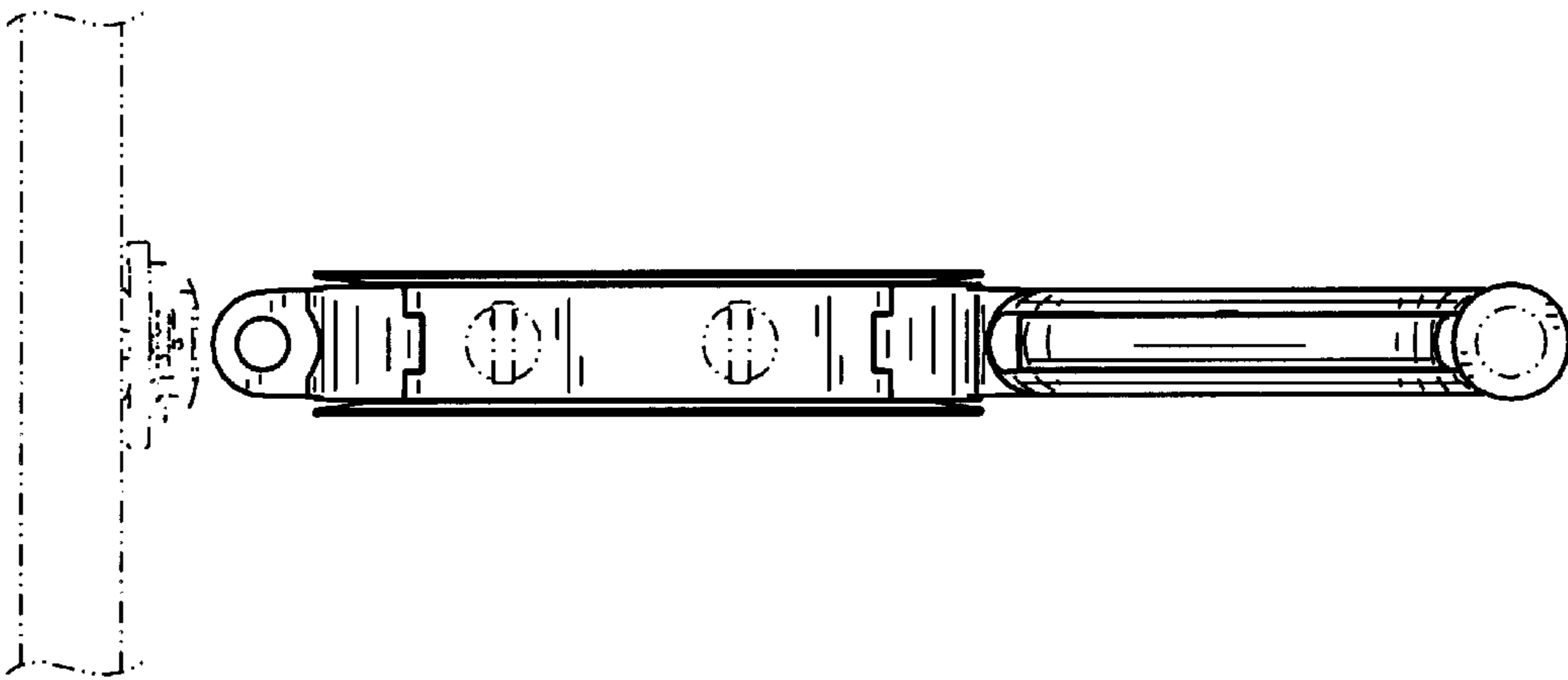


FIG. 7

UNITED STATES PATENT AND TRADEMARK OFFICE  
**CERTIFICATE OF CORRECTION**

PATENT NO. : Des. 518,063 S  
APPLICATION NO. : 29/223429  
DATED : March 28, 2006  
INVENTOR(S) : Anthony Piazza et al.

Page 1 of 1

It is certified that error appears in the above-identified patent and that said Letters Patent is hereby corrected as shown below:

TITLE PAGE,

In the Description, after “of an adjustment dial in FIGS. 1, 3, 4, 5 and 6,”

insert -- of a lower mounting pin in FIGS. 1-5 and 7, of table mounting structure in FIGS. 1 and 6, --.

Signed and Sealed this

Eleventh Day of July, 2006

A handwritten signature in black ink on a dotted background. The signature reads "Jon W. Dudas" in a cursive style.

JON W. DUDAS

*Director of the United States Patent and Trademark Office*