



US00D518050S

(12) **United States Design Patent**
Wood et al.

(10) **Patent No.:** **US D518,050 S**
(45) **Date of Patent:** **** Mar. 28, 2006**

(54) **LID AND HOUSING FOR A FINGERPRINT IMAGER**

D393,837 S * 4/1998 Umetsu et al. D14/384
D437,595 S * 2/2001 Chang et al. D14/351
D457,180 S * 5/2002 Gotham et al. D16/246

(75) Inventors: **Danny E. Wood**, Modesto, CA (US);
Waleed S. Haddad, San Francisco, CA (US);
Kevin McAllister, San Francisco, CA (US);
Melvin G. Wieting, Huron, SD (US)

* cited by examiner

(73) Assignee: **Vision R & D, Inc.**, Livermore, CA (US)

Primary Examiner—Freda S. Nunn
(74) *Attorney, Agent, or Firm*—Everitt Beers; John Nielsen;
McNichols Randick O’Dea & Tooliatos, LLP

(**) Term: **14 Years**

(57) **CLAIM**

(21) Appl. No.: **29/181,584**

The ornamental design for a lid and housing for a fingerprint imager, as shown and described.

(22) Filed: **May 12, 2003**

DESCRIPTION

(51) **LOC (8) Cl.** **14-02**

(52) **U.S. Cl.** **D14/384**

(58) **Field of Classification Search** D14/420,
D14/421, 383, 384, 351; 382/124–126; 283/68–70,
283/74, 75, 78; 250/556; D16/246
See application file for complete search history.

FIG. 1 is a front, angled, perspective view of the lid and housing design.

FIG. 2 is a rear, angled, perspective view of the lid and housing design; and,

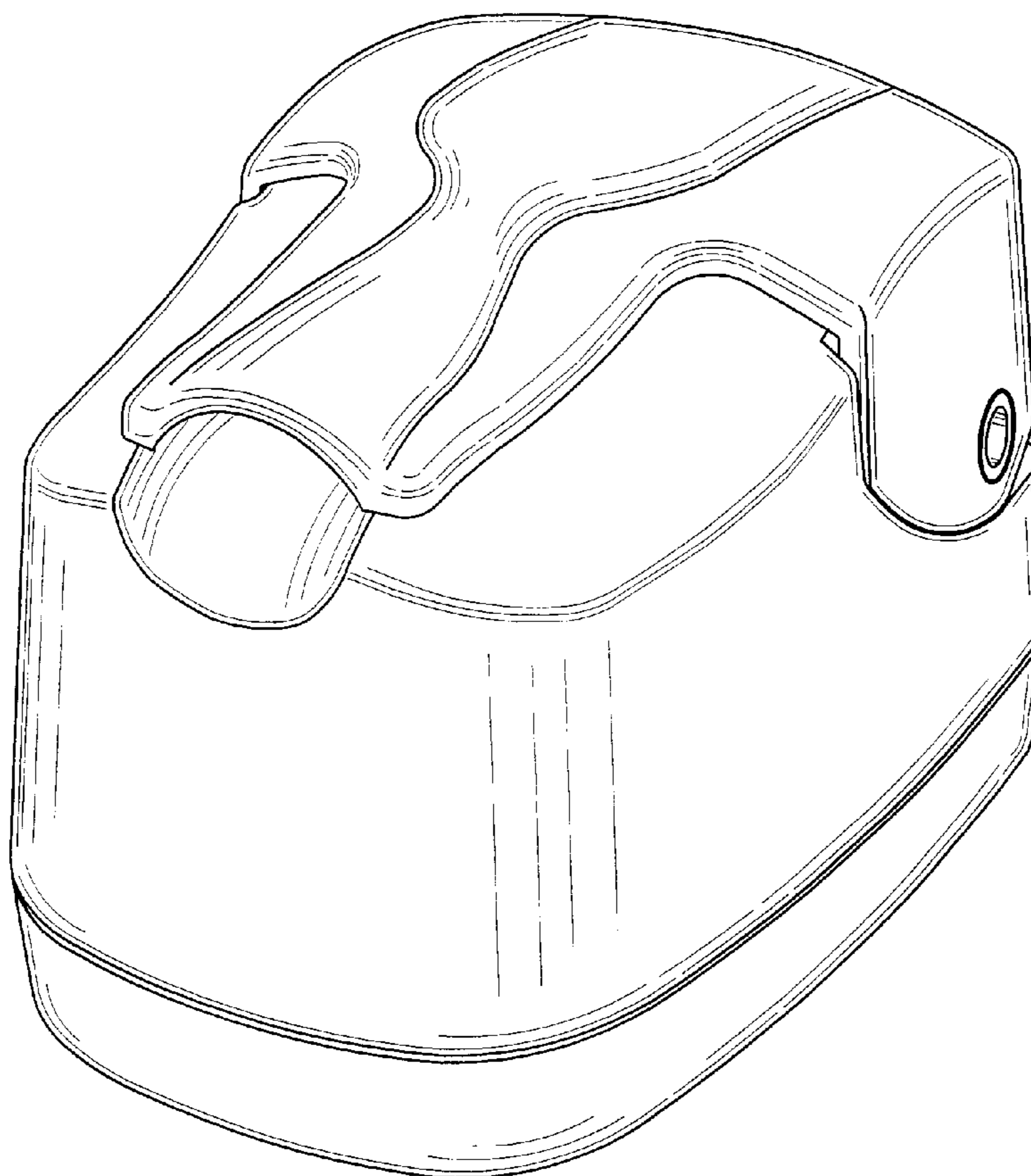
FIG. 3 is a rear view of the lid and housing design.

(56) **References Cited**

U.S. PATENT DOCUMENTS

D368,256 S * 3/1996 Stropkay et al. D14/420

1 Claim, 3 Drawing Sheets



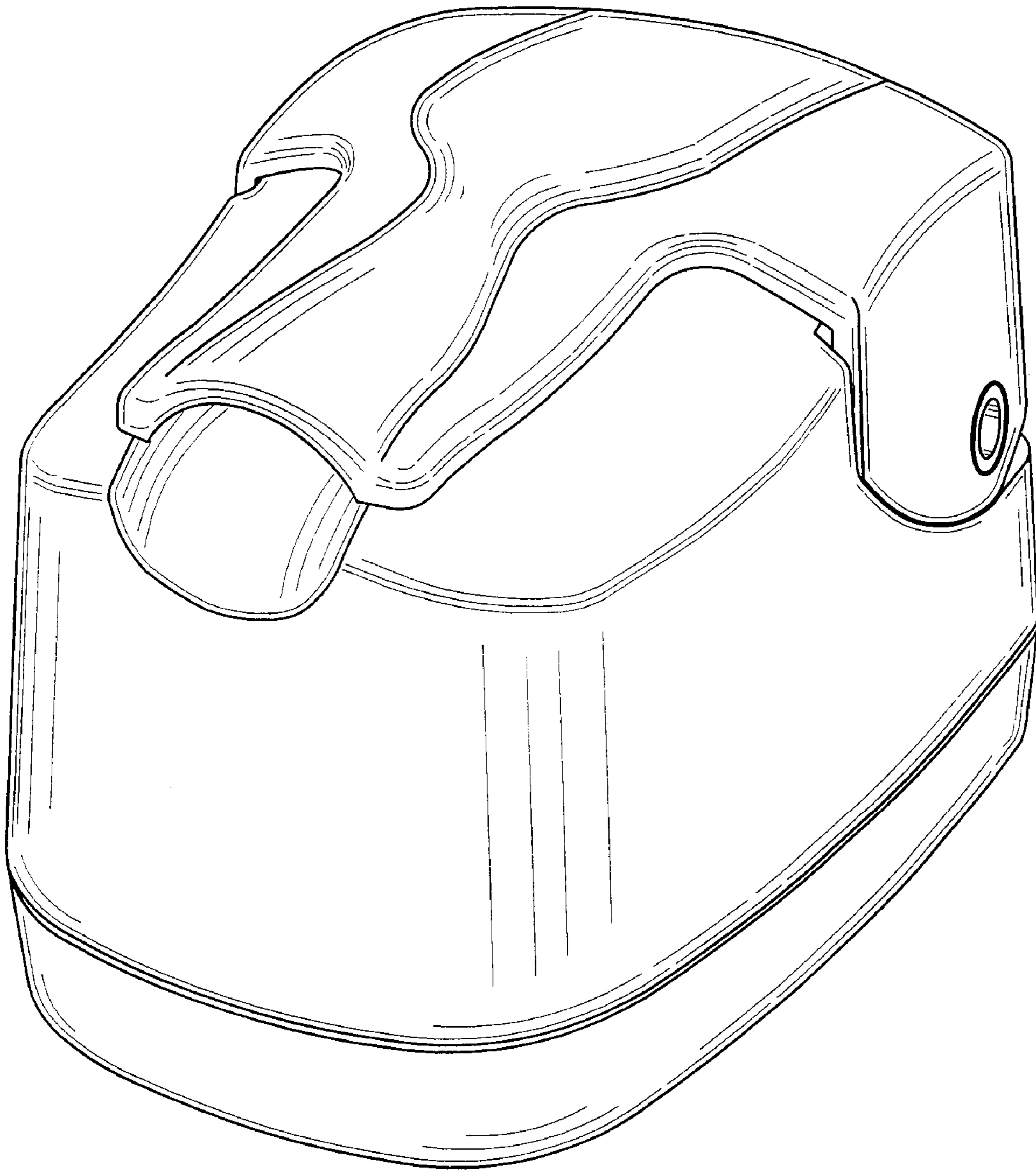


FIG. 1

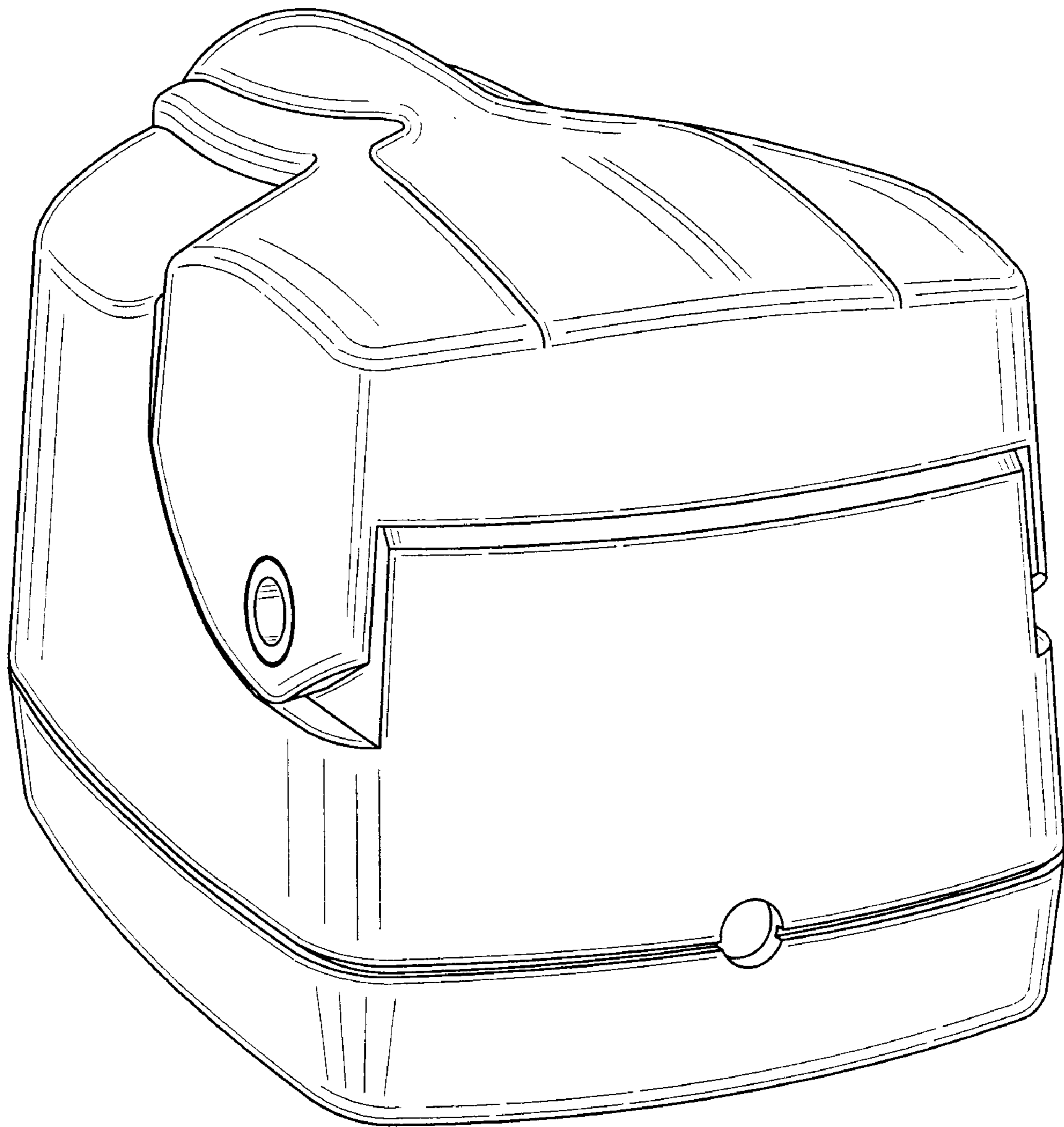


FIG. 2

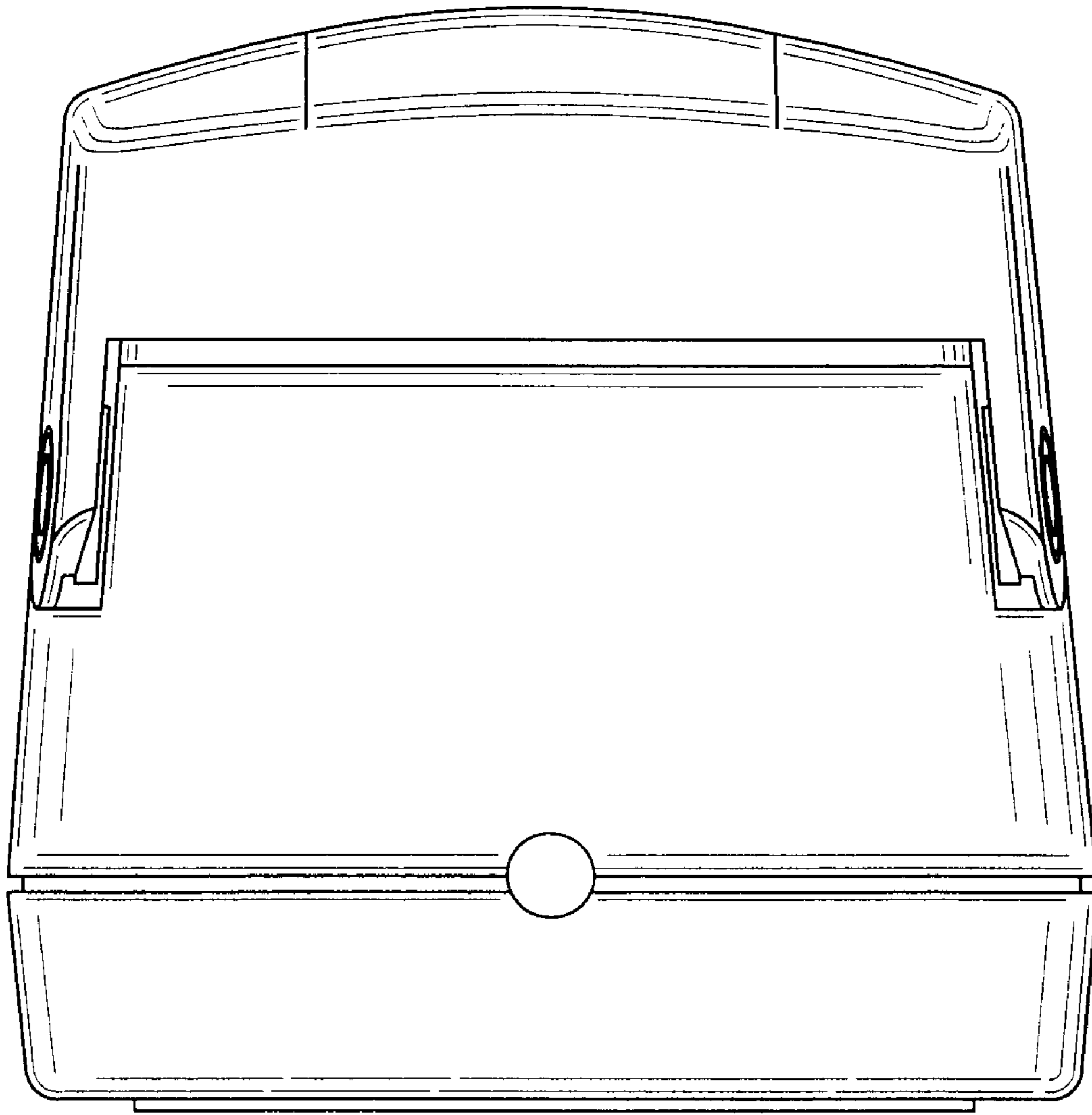


FIG. 3