



US00D518049S

(12) **United States Design Patent**
Depay

(10) **Patent No.:** **US D518,049 S**

(45) **Date of Patent:** **** Mar. 28, 2006**

(54) **LCD DISPLAY**

(75) Inventor: **Dean Depay**, San Jose, CA (US)

(73) Assignee: **Hewlett-Packard Development Company, L.P.**, Houston, TX (US)

(**) Term: **14 Years**

(21) Appl. No.: **29/226,115**

(22) Filed: **Mar. 23, 2005**

(51) **LOC (8) Cl.** **14-02**

(52) **U.S. Cl.** **D14/375**

(58) **Field of Classification Search** D14/371-375,
D14/125-129; 345/104, 156, 168, 173, 901-905;
348/180, 184, 325, 739; 248/917-924; 349/1,
349/2, 11, 62; 341/12

See application file for complete search history.

(56) **References Cited**

U.S. PATENT DOCUMENTS

- D416,549 S * 11/1999 Coster et al. D14/375
- D489,721 S * 5/2004 Peng et al. D14/371
- D496,046 S * 9/2004 Lo D14/375

* cited by examiner

Primary Examiner—Freda S. Nunn

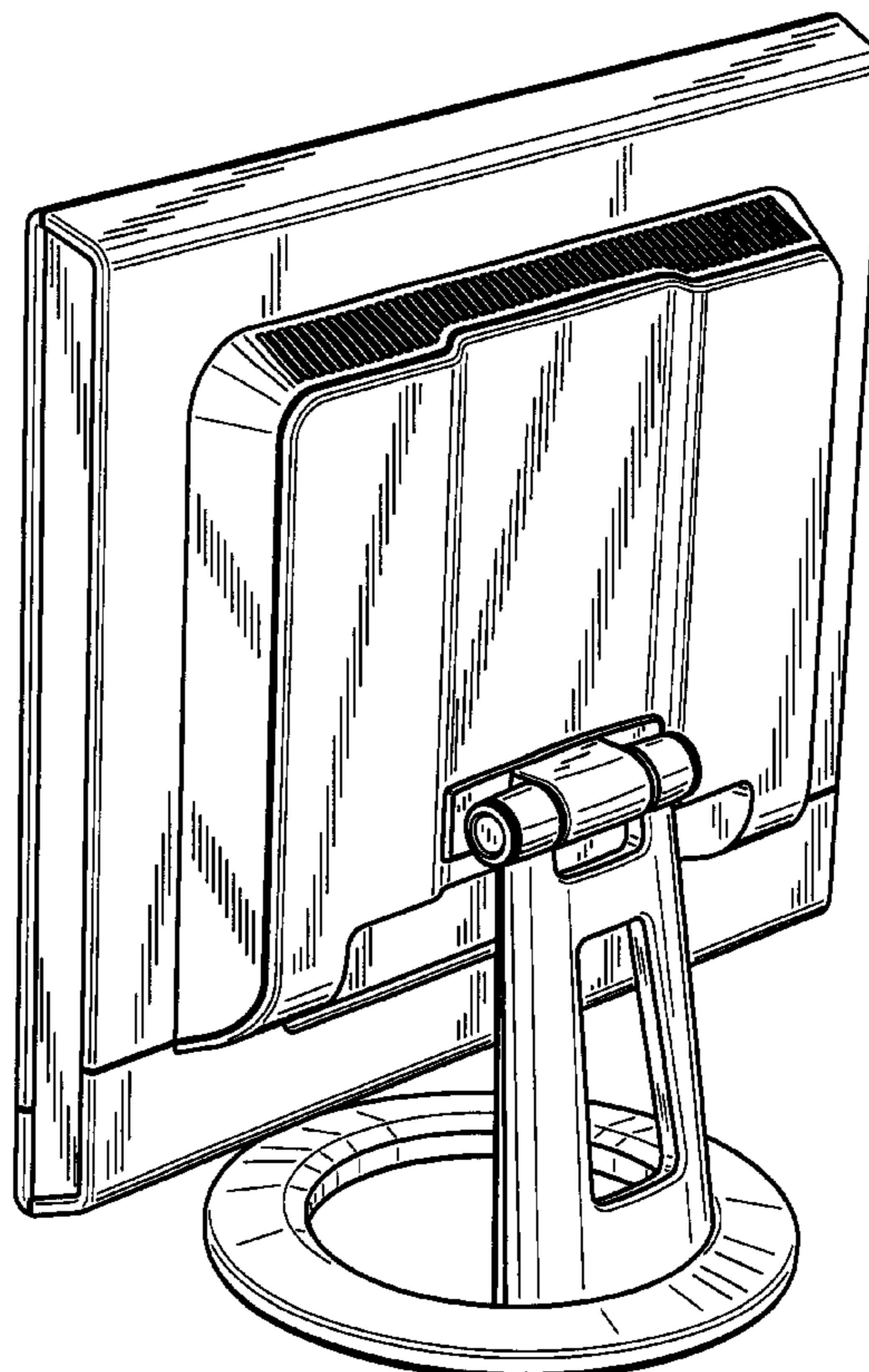
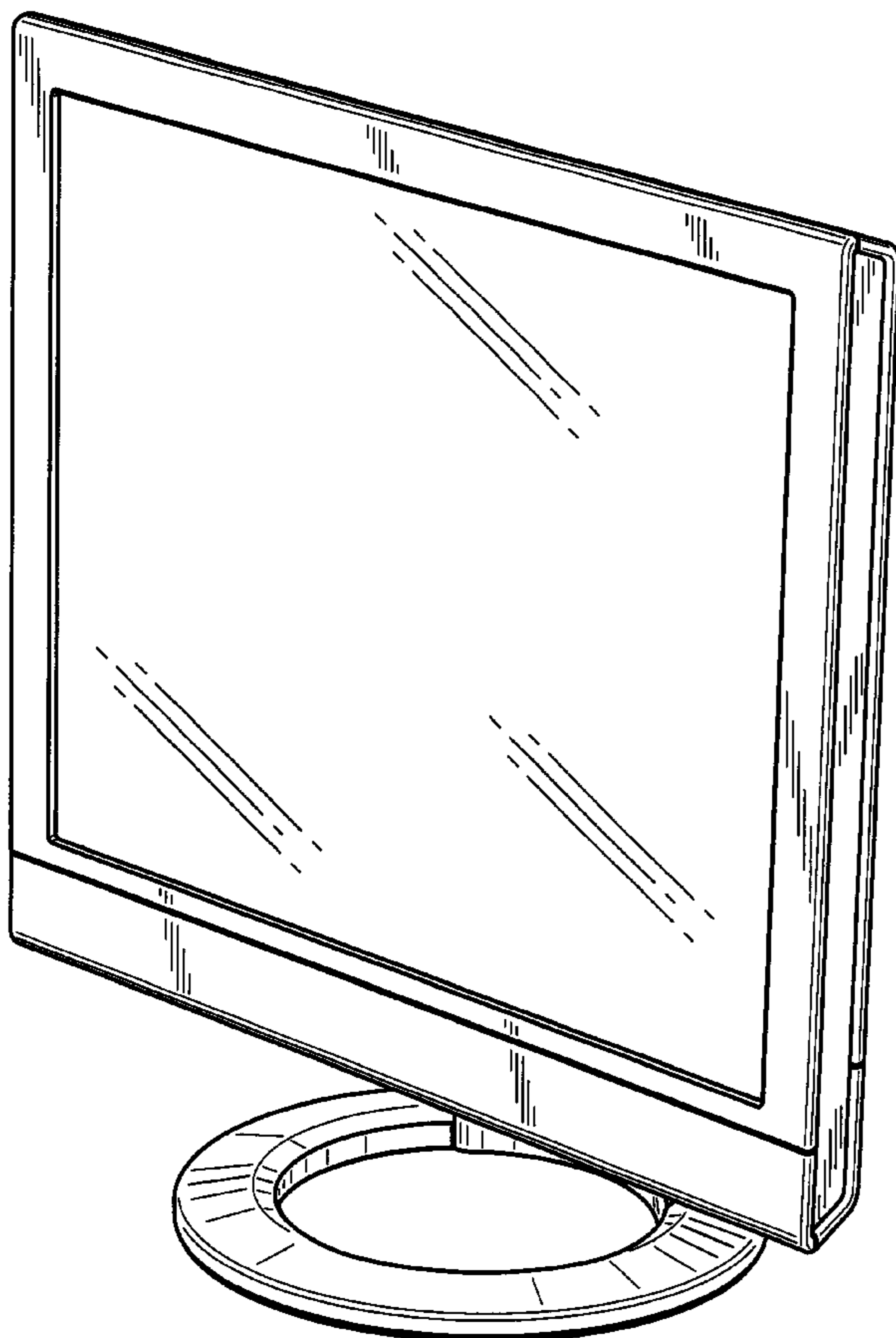
(57) **CLAIM**

We claim the ornamental design for a LCD display, as shown and described.

DESCRIPTION

FIG. 1 is an upper right front perspective view of a design for a LCD display in accordance with a first embodiment; FIG. 2 is an upper right rear perspective view thereof; FIG. 3 is a front elevational view thereof, wherein the areas shown in broken lines being depicted for illustrative purposes and do not form any part of the claimed design; FIG. 4 is a left side elevational view thereof, wherein the right side is a mirror image thereof, wherein the areas shown in broken lines being depicted for illustrative purposes and do not form any part of the claimed design; FIG. 5 is a rear elevational view thereof, wherein the areas shown in broken lines being depicted for illustrative purposes and do not form any part of the claimed design; FIG. 6 is a top plan view thereof; and, FIG. 7 is a bottom plan view thereof, wherein the areas shown in broken lines being depicted for illustrative purposes and do not form any part of the claimed design.

1 Claim, 5 Drawing Sheets



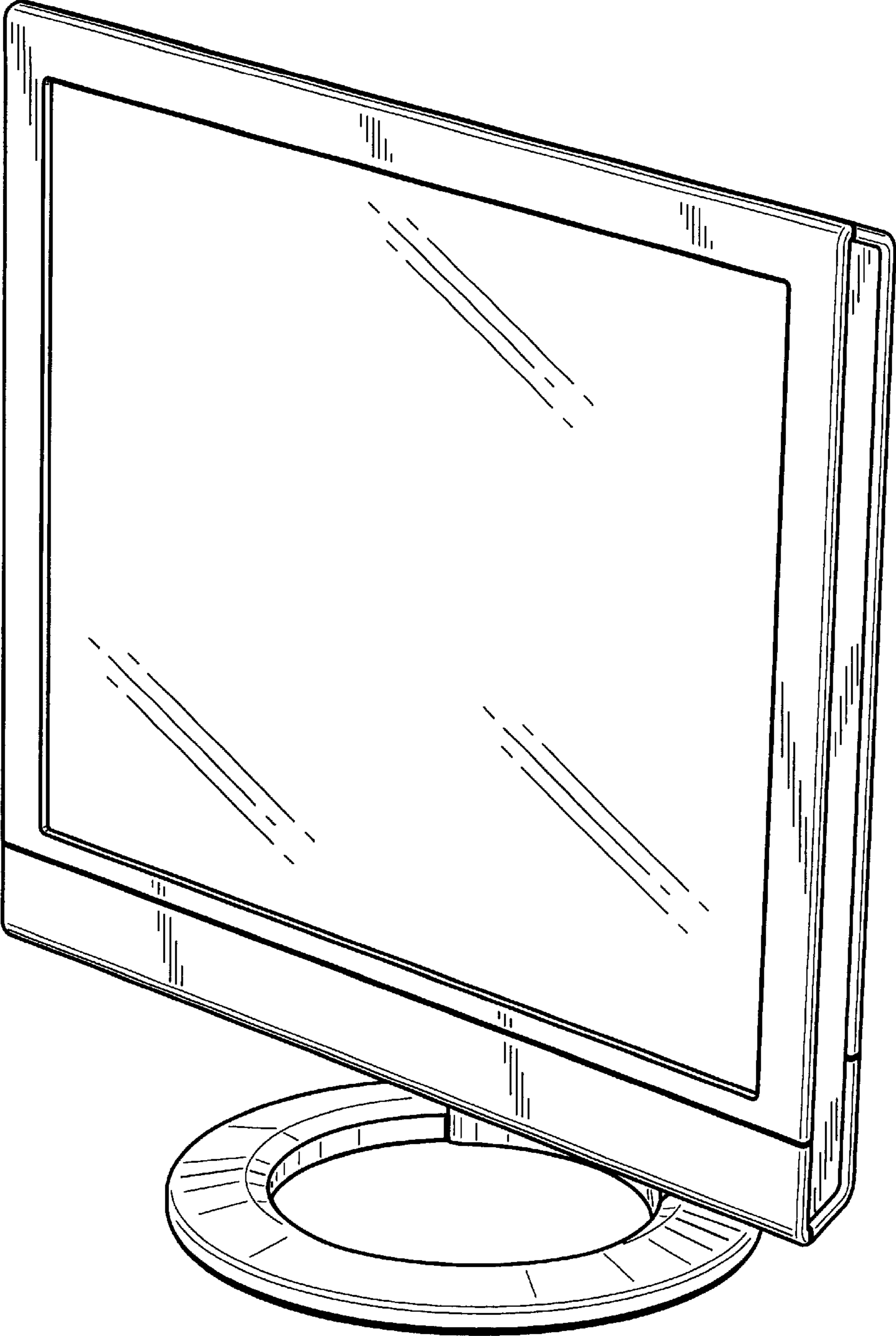


FIG. 1

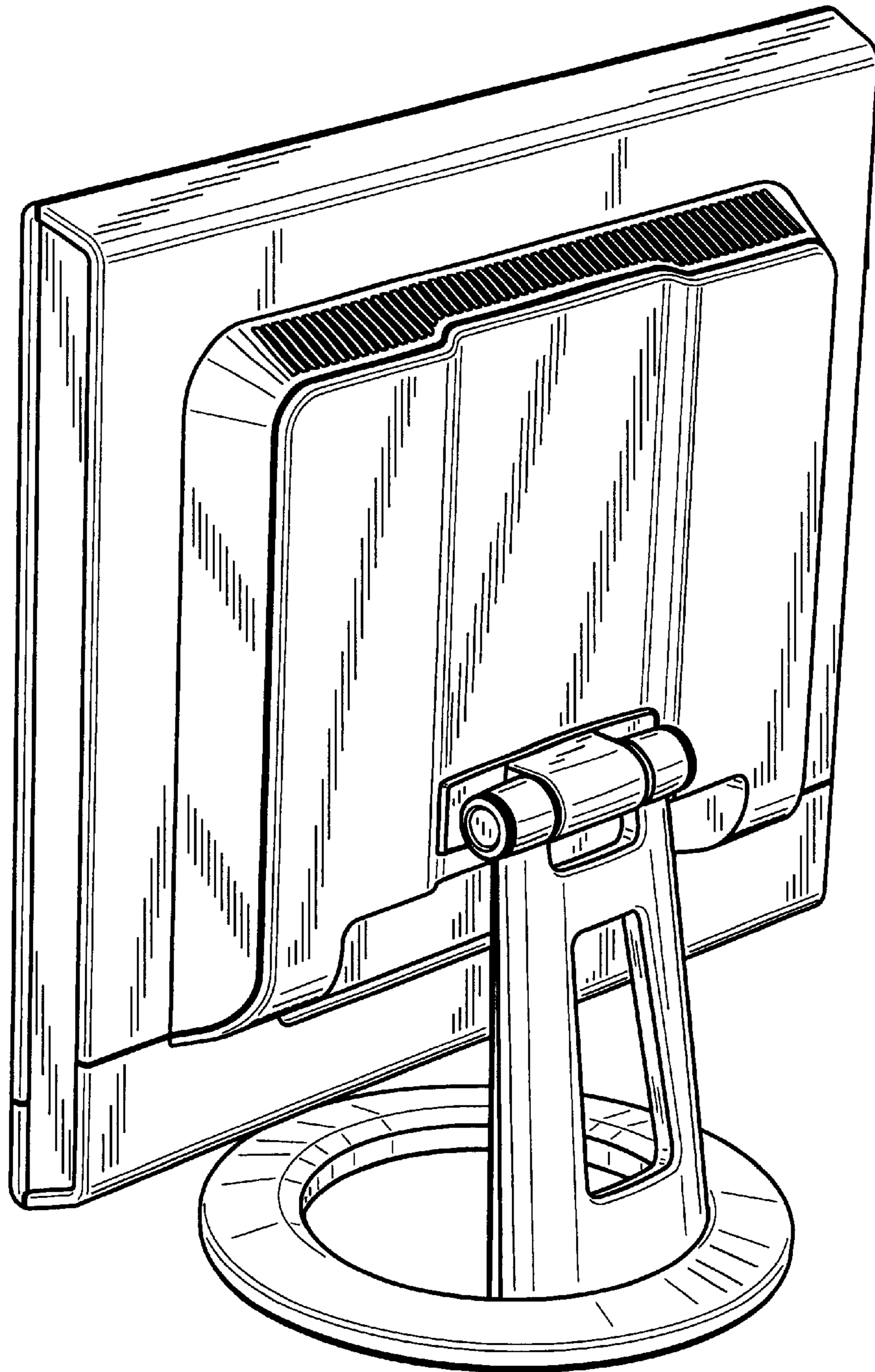


FIG. 2

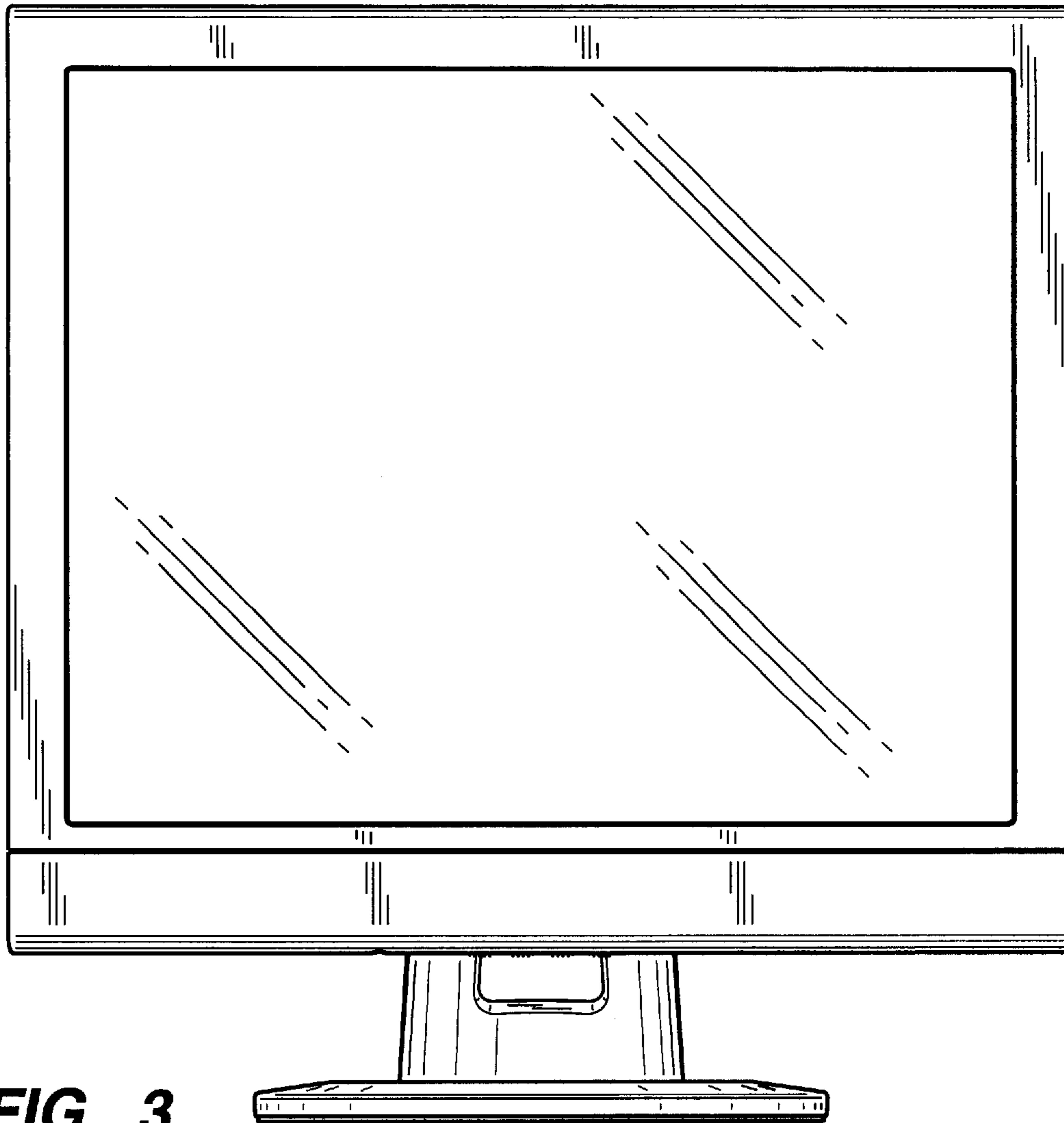


FIG._3

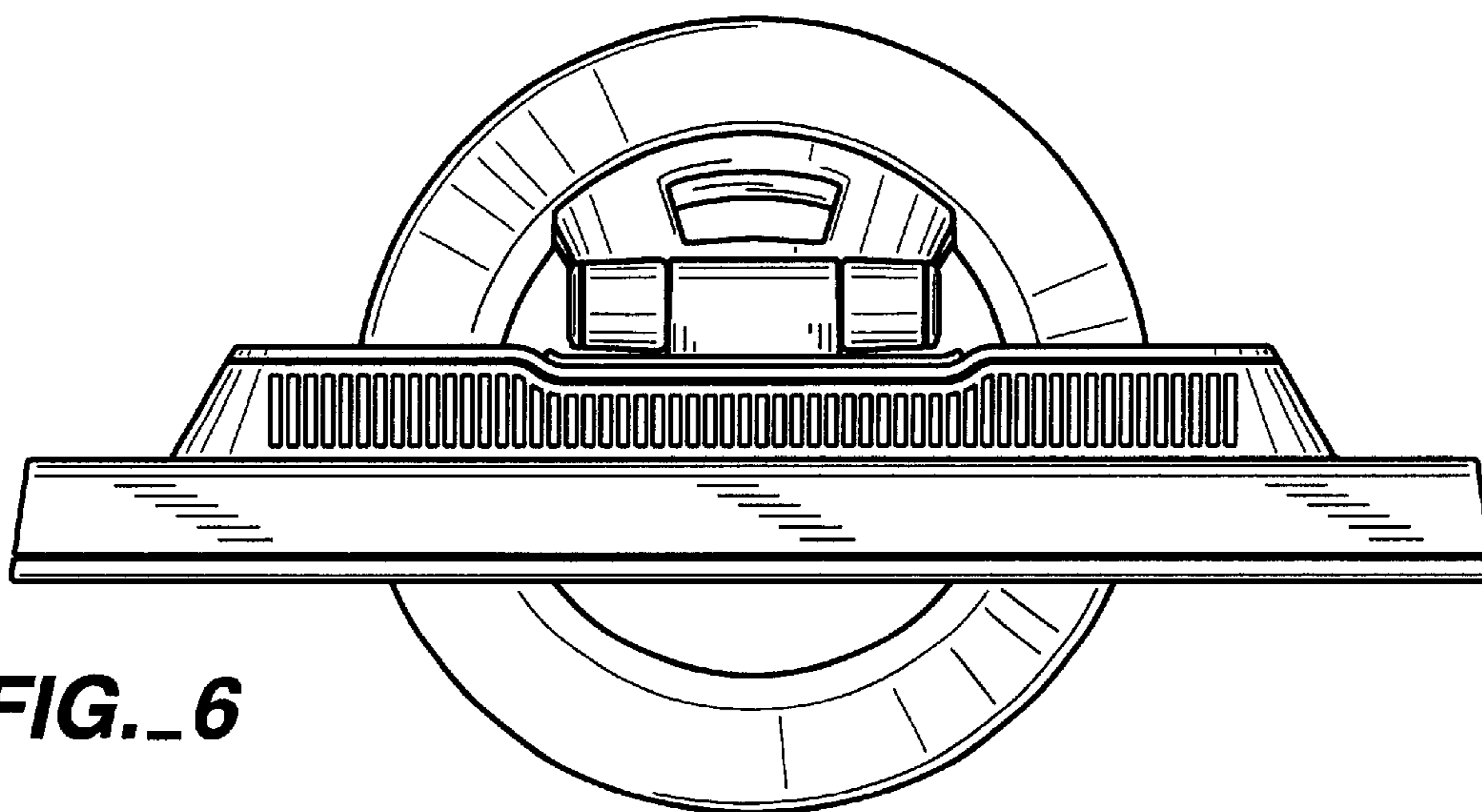


FIG._6

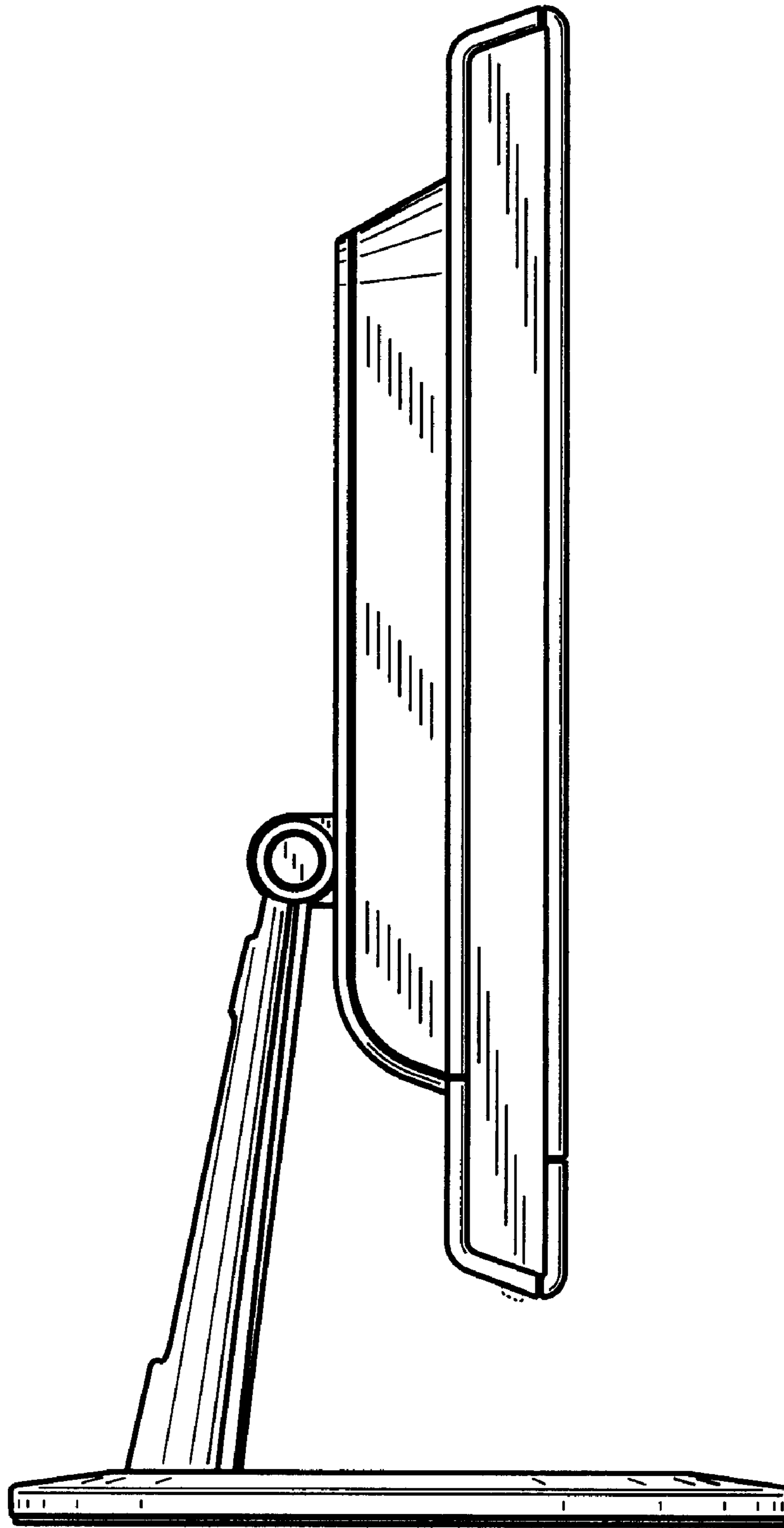


FIG. 4

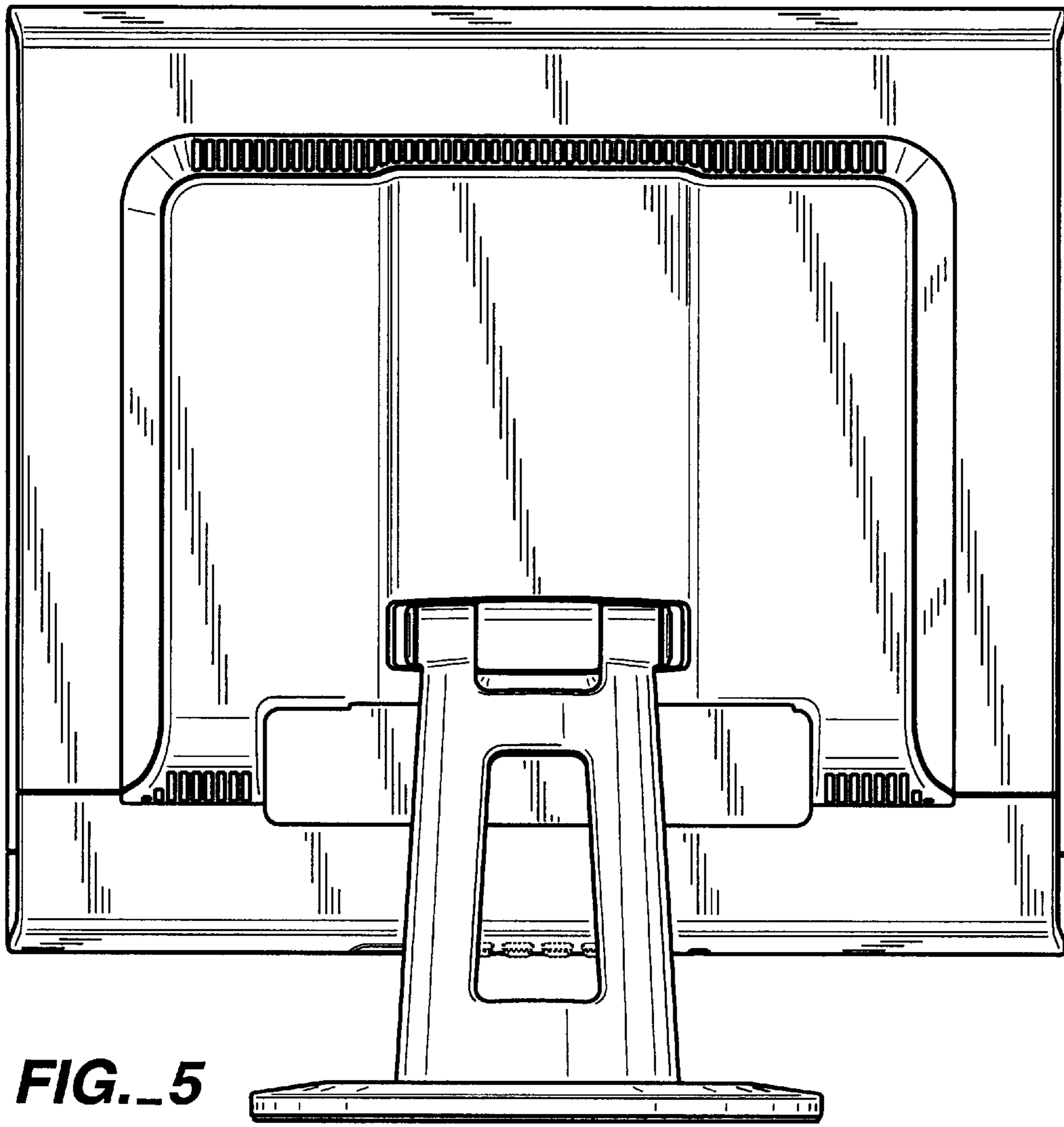


FIG. 5

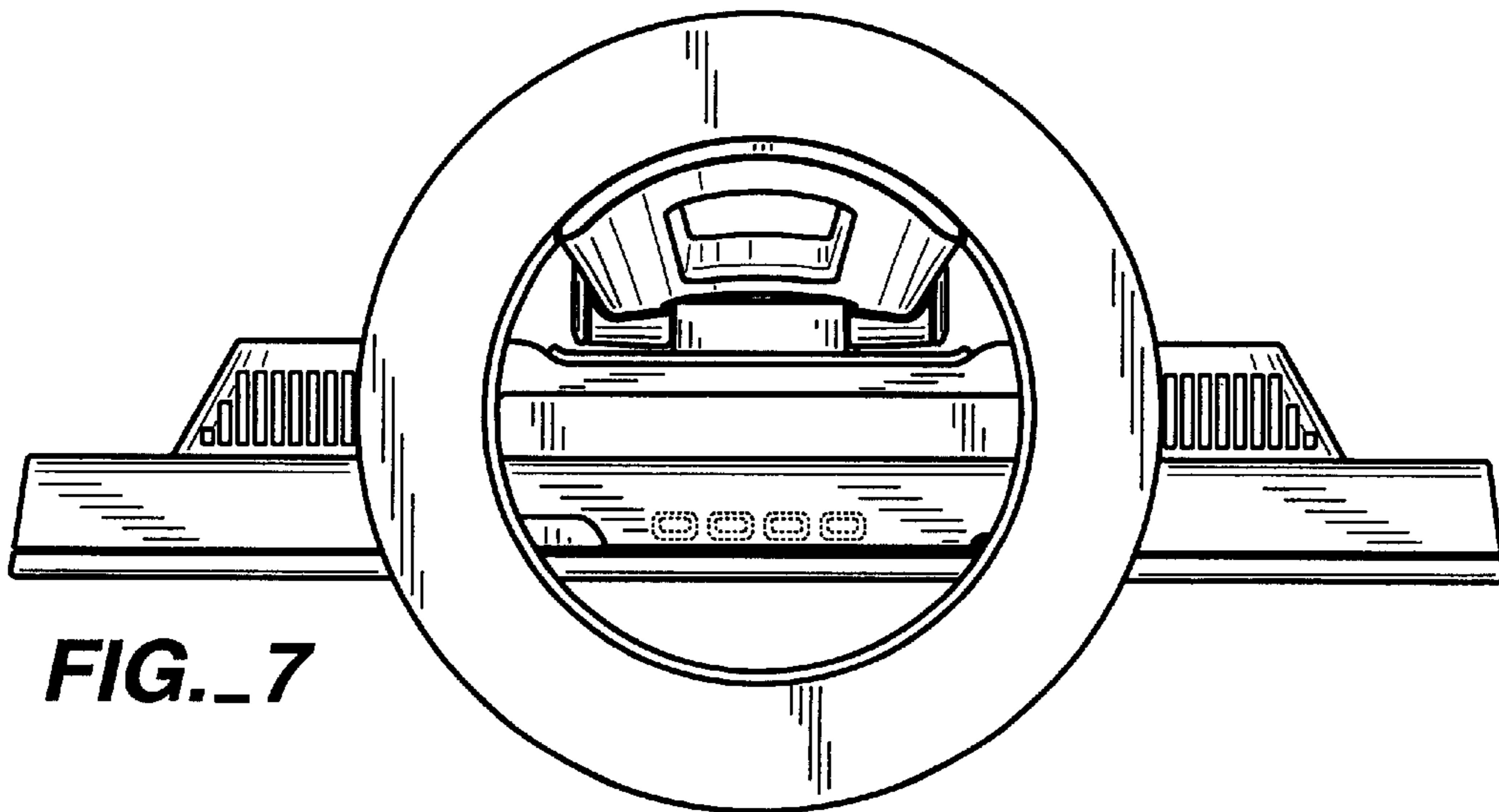


FIG. 7