



US00D518047S

(12) **United States Design Patent**
Gobrogge et al.

(10) **Patent No.:** **US D518,047 S**
(45) **Date of Patent:** **** Mar. 28, 2006**

(54) **HOUSING FOR A DISPLAY**

(75) Inventors: **Brian A. Gobrogge**, Ann Arbor, MI (US); **Troy L. Niehaus**, Canton, MI (US)

(73) Assignee: **Xerox Corporation**, Stamford, CT (US)

(**) Term: **14 Years**

(21) Appl. No.: **29/223,406**

(22) Filed: **Feb. 14, 2005**

(51) **LOC (8) Cl.** **14-02**

(52) **U.S. Cl.** **D14/375**

(58) **Field of Classification Search** D14/371-375, D14/125-129; 345/104, 156, 168, 173, 901-905, 345/174; 348/180, 184, 325, 739; 341/12; 349/1, 2, 11, 62; 248/917-924; 361/680-686
See application file for complete search history.

(56) **References Cited**

U.S. PATENT DOCUMENTS

D314,564 S * 2/1991 Grundstrom et al. D14/375
D387,040 S * 12/1997 Iino D14/375
6,067,082 A * 5/2000 Enmei 345/174

D439,901 S * 4/2001 Ono et al. D14/375
D481,727 S * 11/2003 Olson et al. D14/375
2003/0142469 A1 * 7/2003 Ponx 361/683
2004/0233620 A1 * 11/2004 Doczy et al. 361/680

* cited by examiner

Primary Examiner—Freda S. Nunn

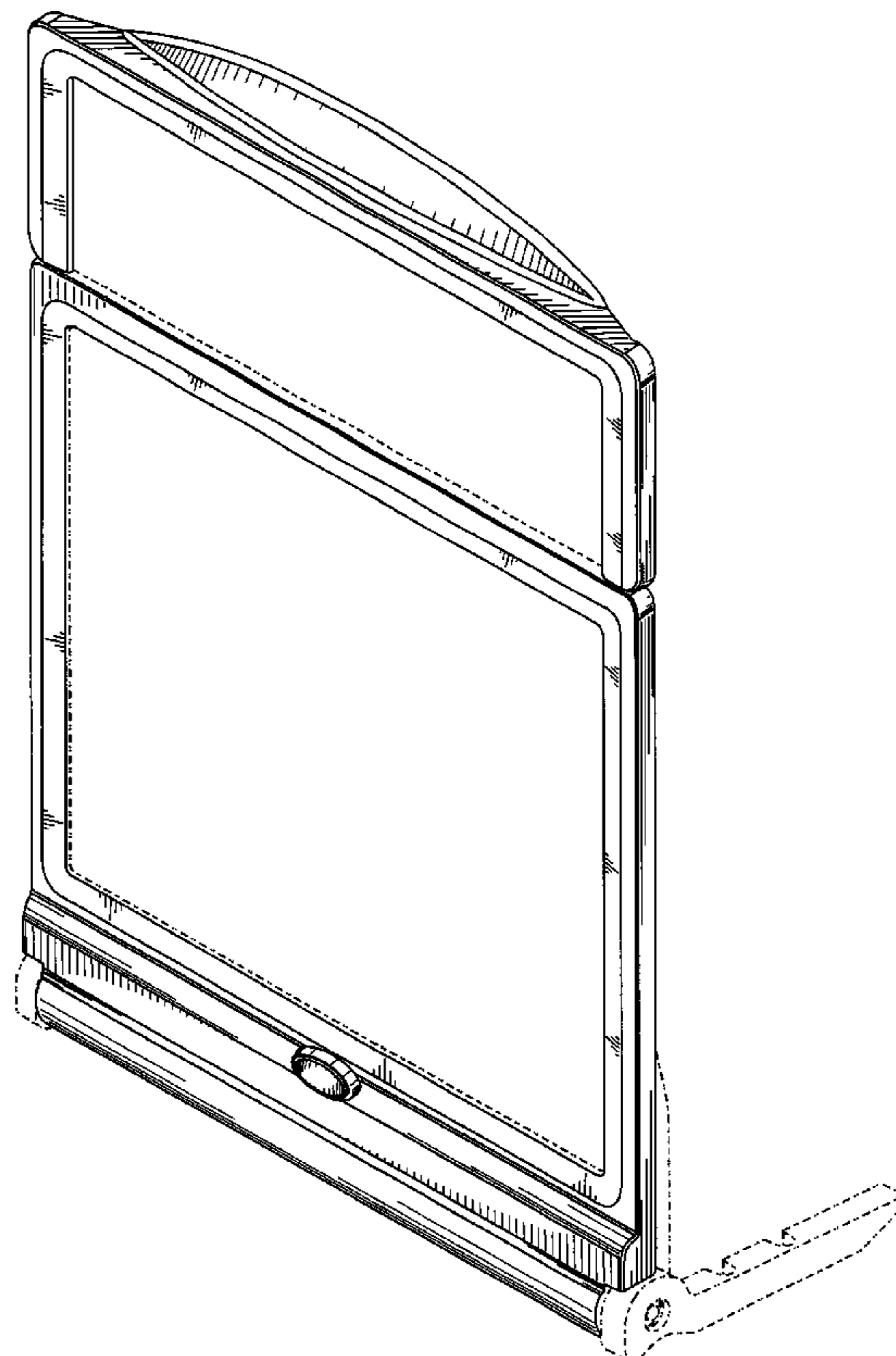
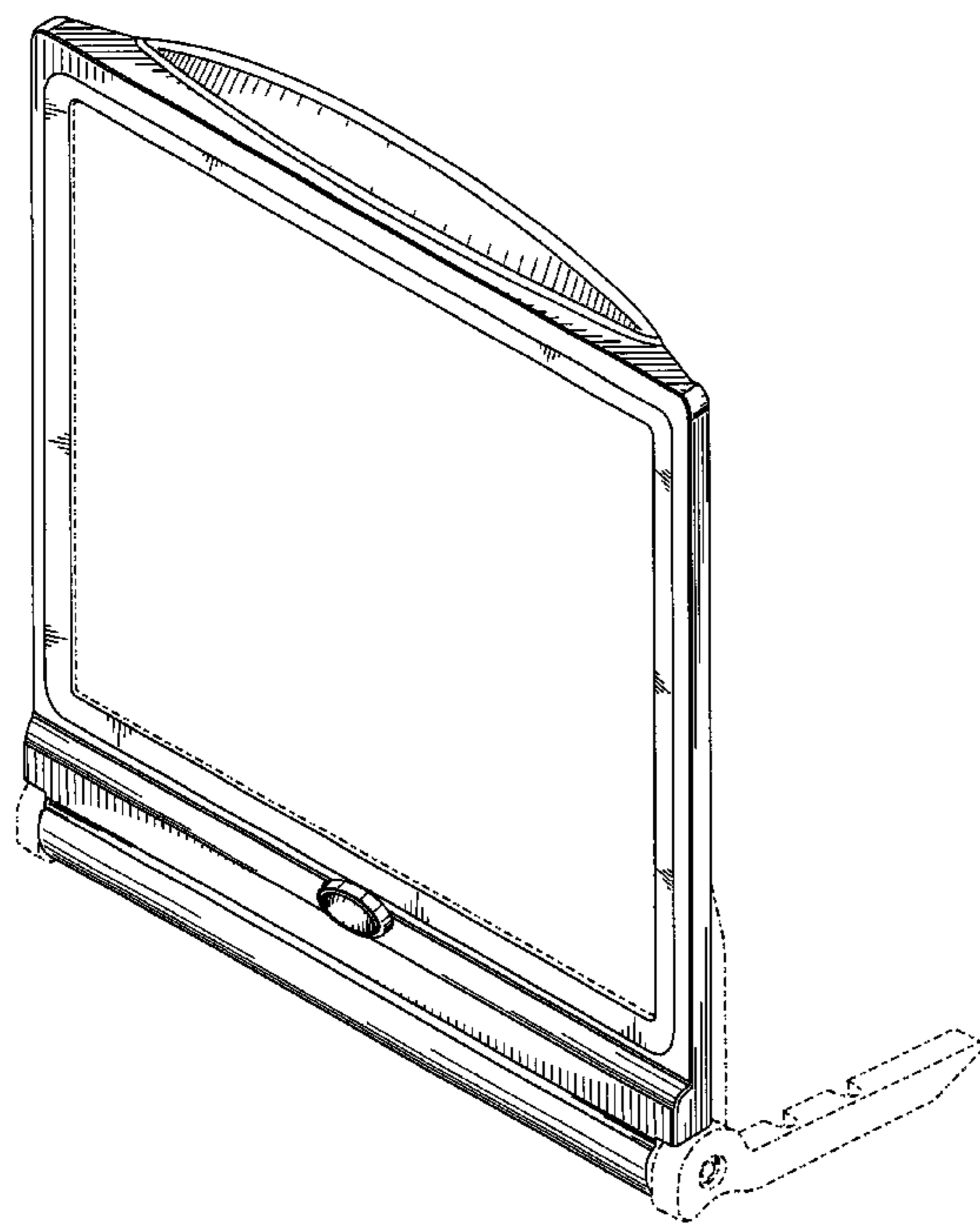
(57) **CLAIM**

The ornamental design for a housing for a display, as shown and described.

DESCRIPTION

FIG. 1 is a perspective view of a housing for a display illustrating the new design;
FIG. 2 is a front elevational view thereof;
FIG. 3 is a right side elevational view thereof;
FIG. 4 is a rear elevational view thereof;
FIG. 5 is a left side elevational view thereof;
FIG. 6 is a top plan view thereof;
FIG. 7 is a bottom plan view thereof; and,
FIG. 8 is a perspective view of a housing for a display illustrating a variation of the new design.
The broken lines are for illustrative purposes only and form no part of the claimed design.

1 Claim, 7 Drawing Sheets



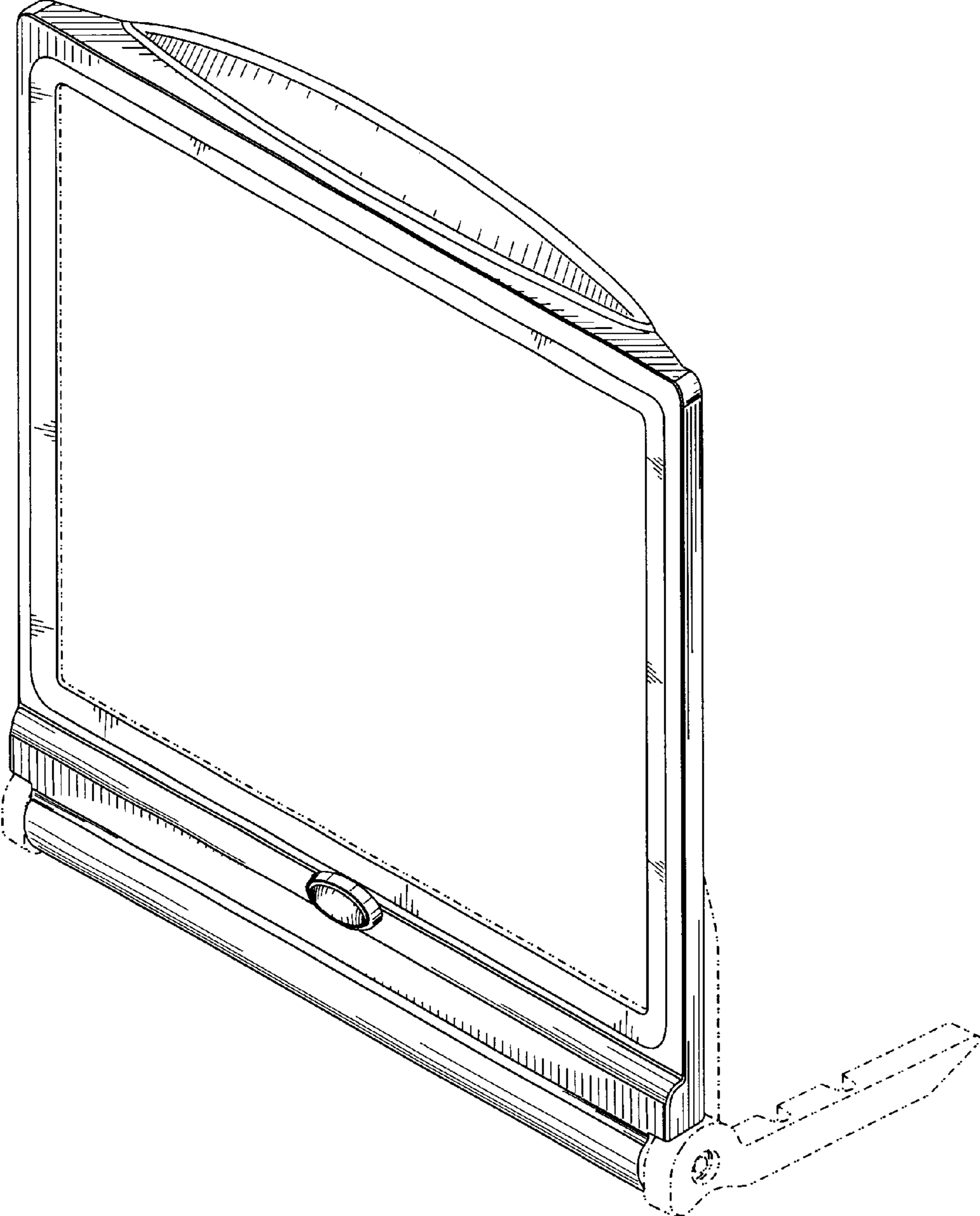


FIG. 1

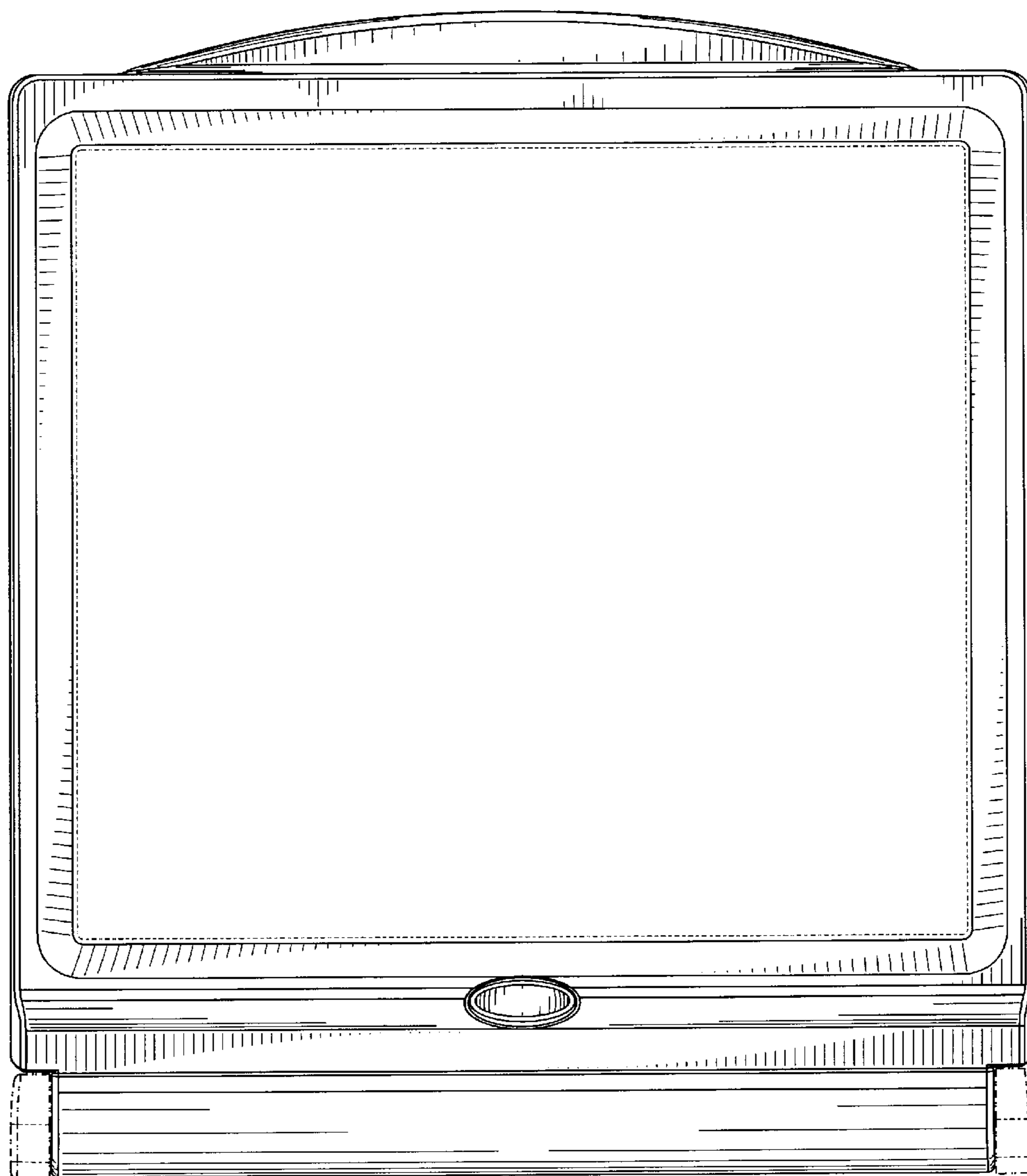


FIG. 2

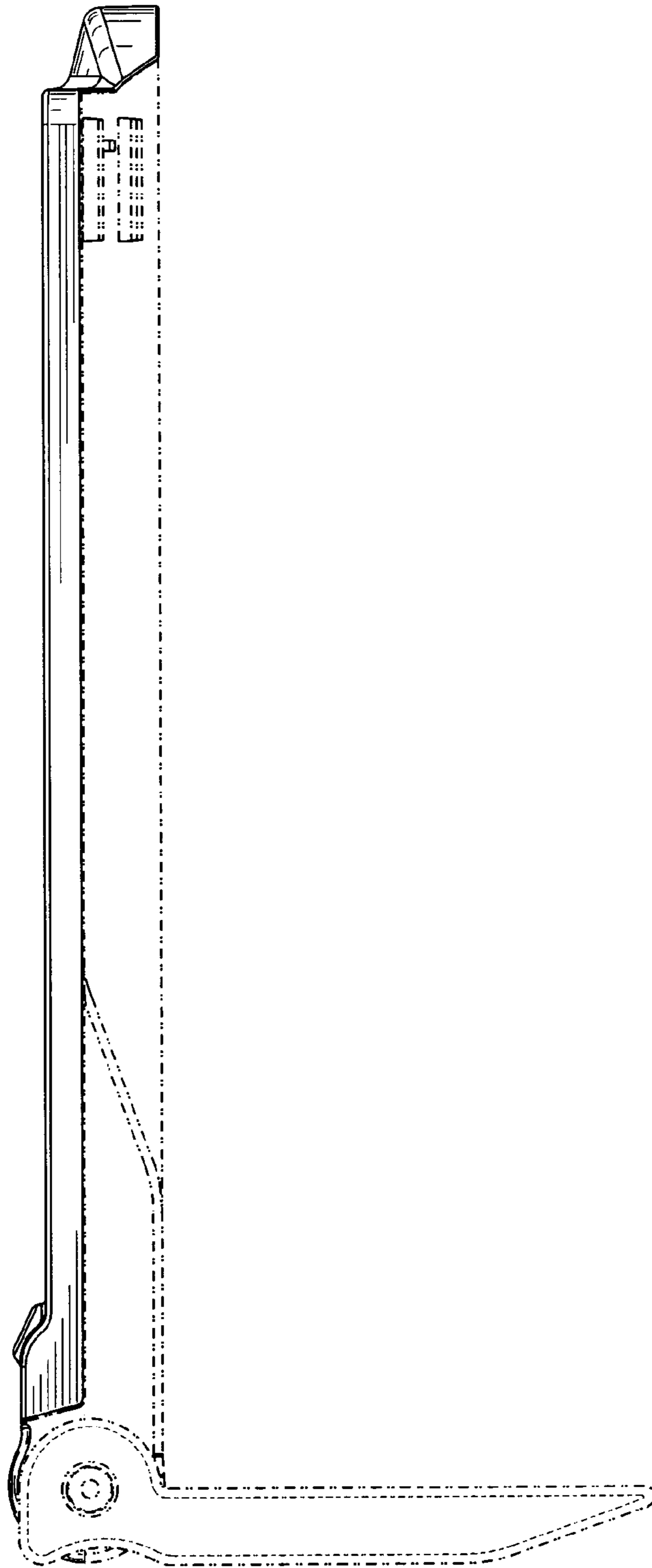


FIG. 3

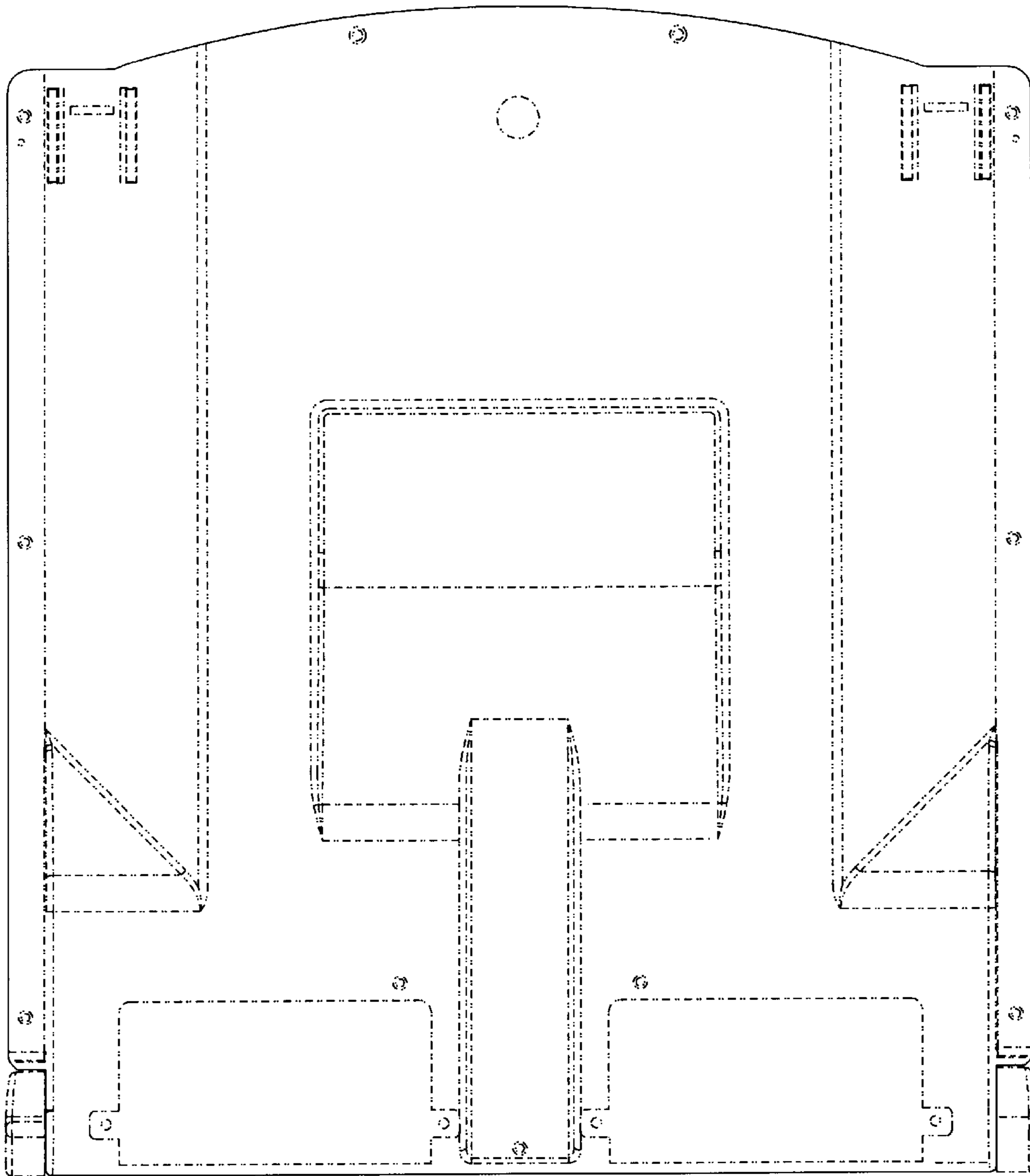


FIG. 4

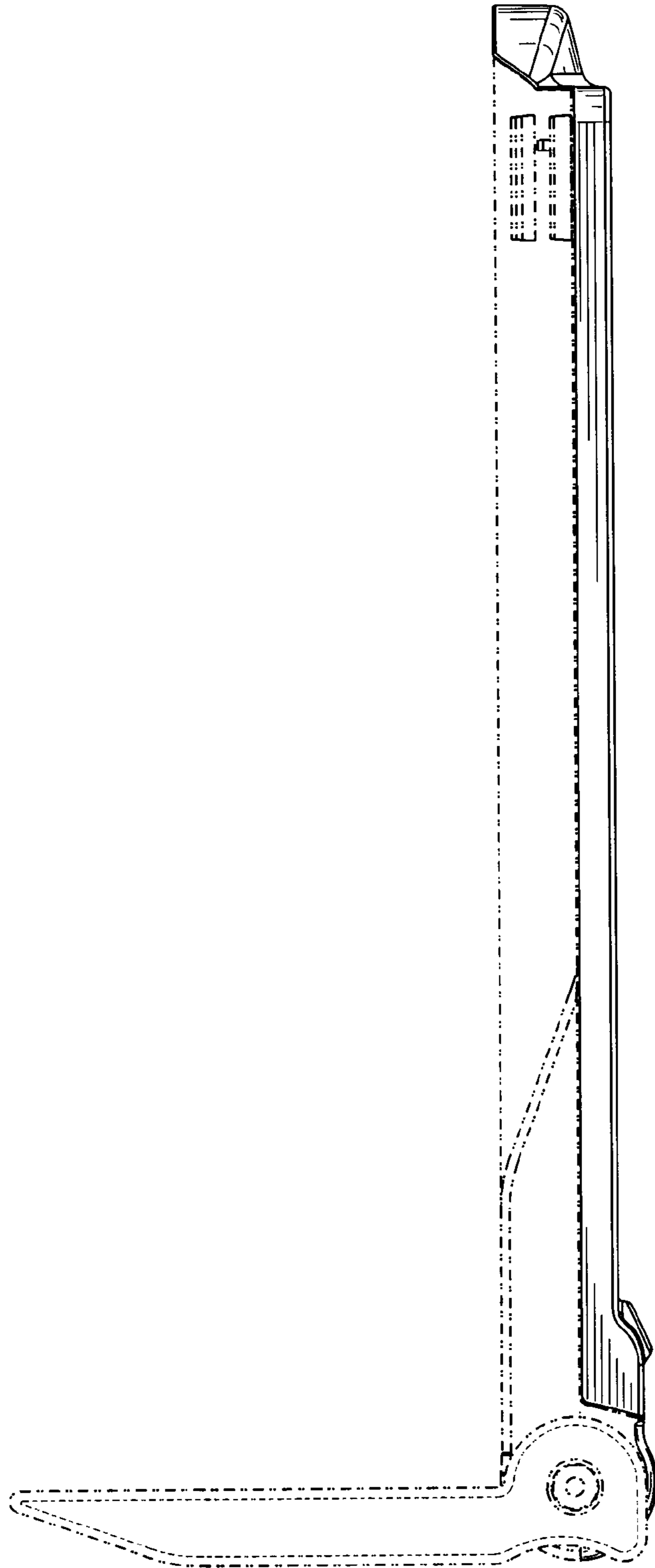


FIG. 5

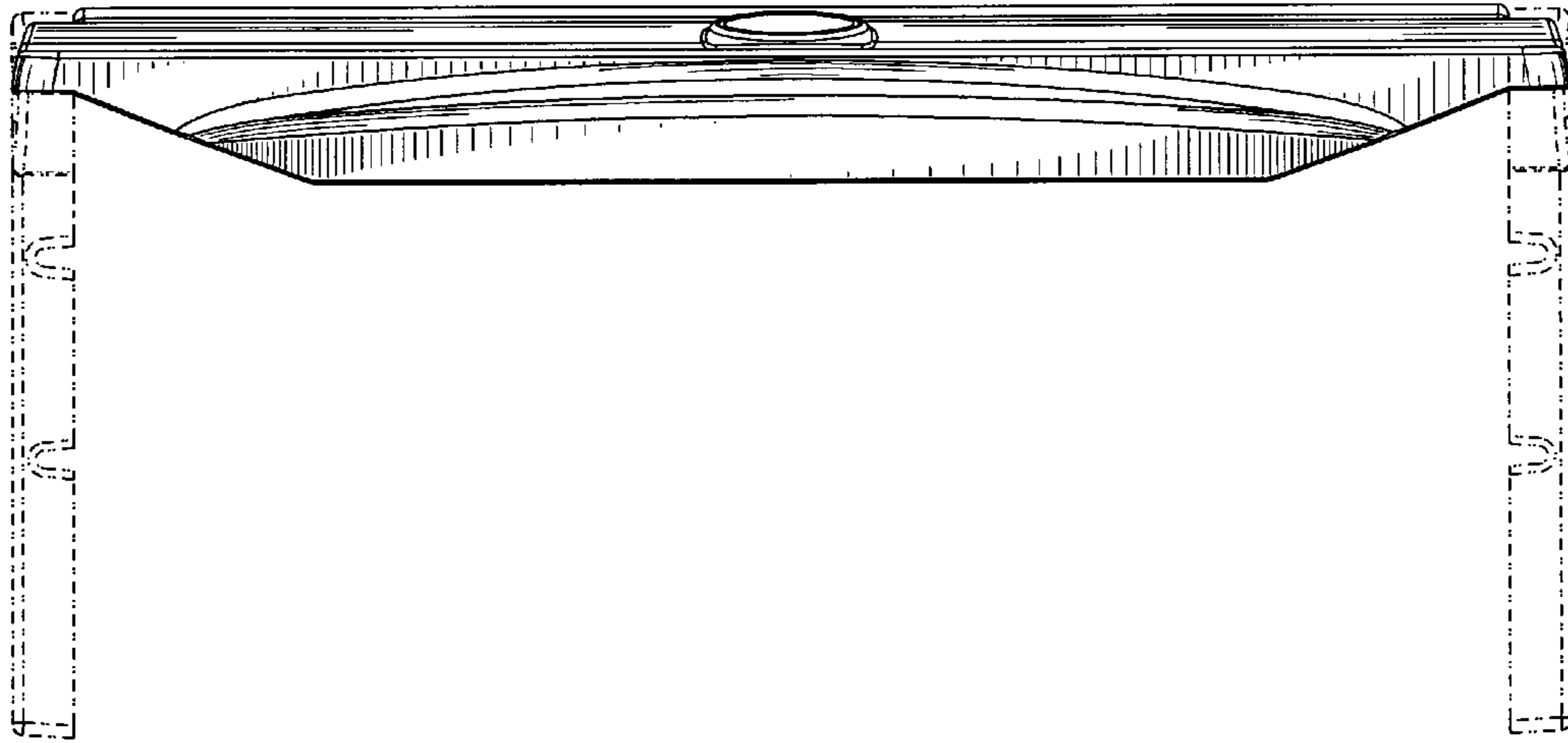


FIG. 6

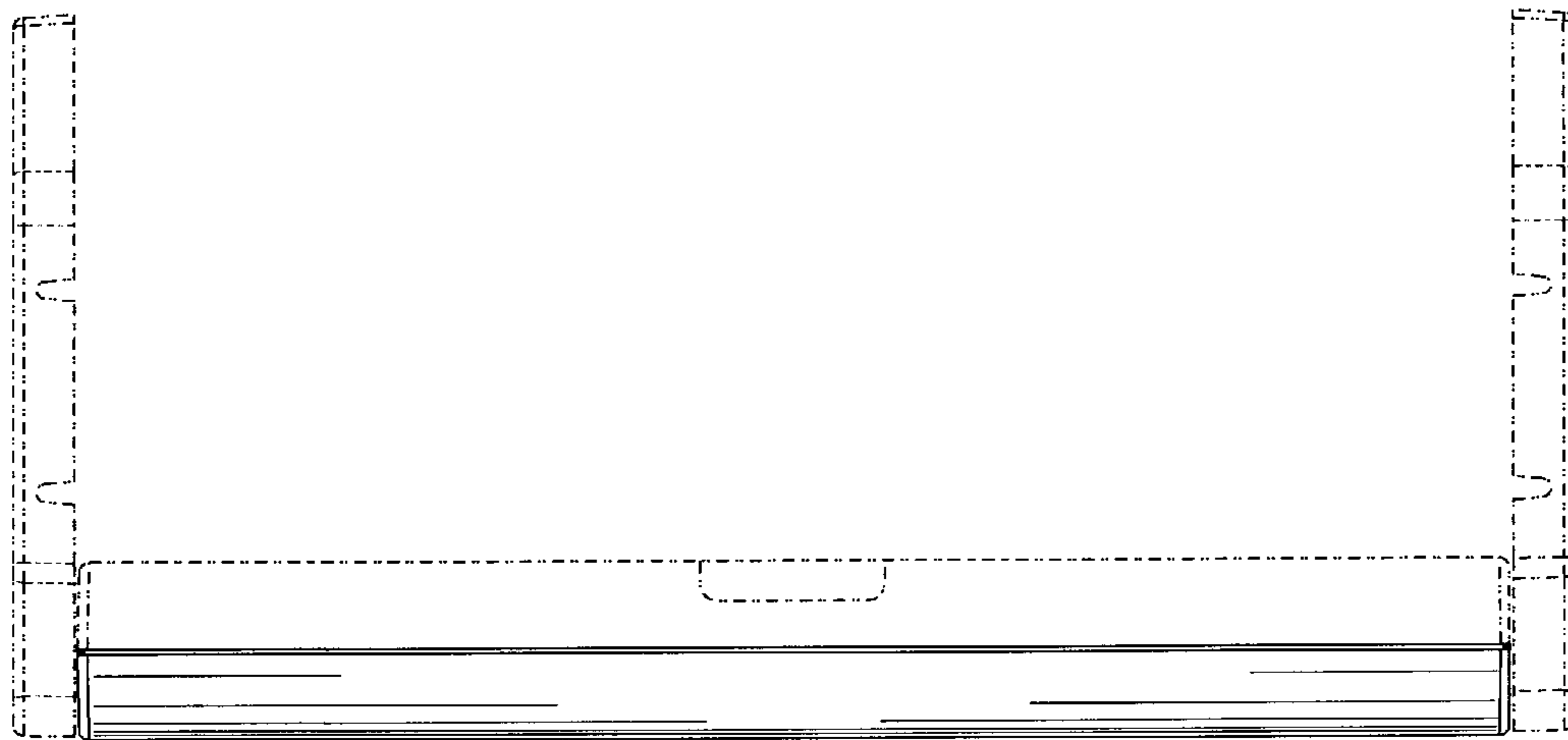


FIG. 7

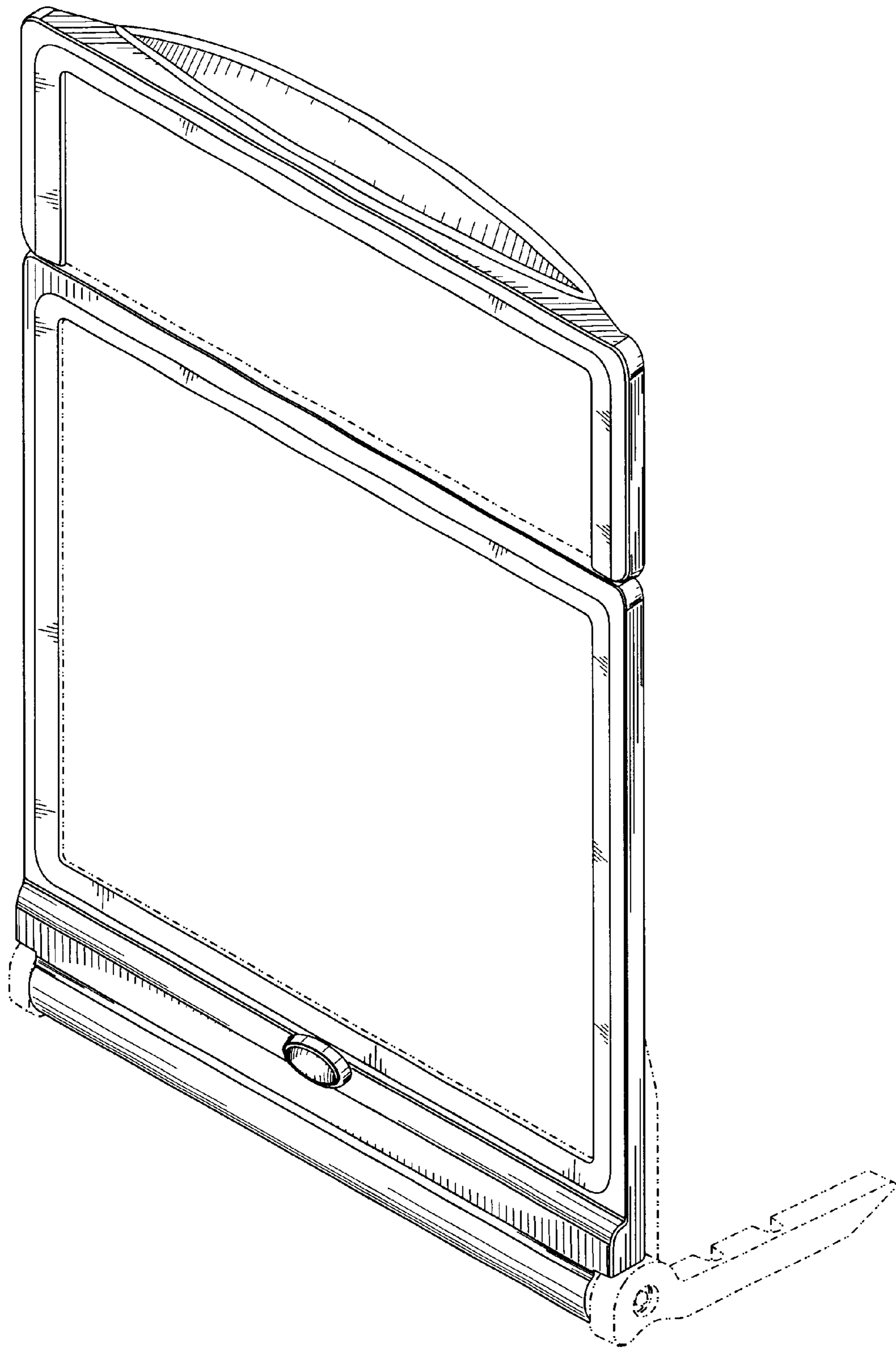


FIG. 8