



US00D518042S

(12) **United States Design Patent**  
**Kanayama**

(10) **Patent No.:** **US D518,042 S**  
(45) **Date of Patent:** **\*\* Mar. 28, 2006**

(54) **PERSONAL COMPUTER**

(75) Inventor: **Masaki Kanayama**, Tachikawa (JP)

(73) Assignee: **Fujitsu Limited**, Kawasaki (JP)

(\*\*) Term: **14 Years**

(21) Appl. No.: **29/223,445**

(22) Filed: **Feb. 15, 2005**

(30) **Foreign Application Priority Data**

Aug. 18, 2004 (JP) ..... 2004-024671

(51) **LOC (8) Cl.** ..... **14-02**

(52) **U.S. Cl.** ..... **D14/318**

(58) **Field of Classification Search** ..... D14/315-323;  
D18/1, 2, 7, 11; 235/145 A, 145 R; 341/22,  
341/23; 345/156, 168, 169, 172, 173; 361/680-686  
See application file for complete search history.

(56) **References Cited**

**U.S. PATENT DOCUMENTS**

6,067,224 A \* 5/2000 Nobuchi ..... 361/683  
D476,326 S \* 6/2003 Tanimura ..... D14/318  
D479,841 S \* 9/2003 Tago et al. .... D14/323  
2005/0018396 A1 \* 1/2005 Nakajima et al. .... 361/683  
2005/0041378 A1 \* 2/2005 Hamada et al. .... 361/680

**OTHER PUBLICATIONS**

Picture of Fujitsu Lifebook S7000; <http://store.shopfujitsu.com/fpc/Ecommerce/buildseriesbean.do?series=S7>, May 2004.

Picture of Sony Vaio B Series; [http://www.sonymstyle.com/is-bin/Intershop.efinity/eCS/Store/en/-/USD/SY\\_Browse-Catalog-Start;sid=f90ITtNQLNslcpHR0mMCRZxe7SDHJBPGwBw=?CategoryName=cpu\\_VaioNotebookComputer\\_B\\_Series&Dept=computers](http://www.sonymstyle.com/is-bin/Intershop.efinity/eCS/Store/en/-/USD/SY_Browse-Catalog-Start;sid=f90ITtNQLNslcpHR0mMCRZxe7SDHJBPGwBw=?CategoryName=cpu_VaioNotebookComputer_B_Series&Dept=computers), Sep. 2004.

Picture of IBM ThinkPad R Series; <http://www.131.ibm.com/webapp/wcs/stores/servlet/Category-Display?catalogid=-840&storeId=10000001&langId=-1&dualCurrid=1000073&categoryID=2302836>, Apr. 2004.

Picture of hp invent Dv1000 series; [http://www.shopping.hp.com/webapp/shopping/computer\\_series.do?series\\_name=dv1000\\_series&catLevel=2&category=notebooks/hp\\_pavillon&storeName=computer\\_store](http://www.shopping.hp.com/webapp/shopping/computer_series.do?series_name=dv1000_series&catLevel=2&category=notebooks/hp_pavillon&storeName=computer_store), Aug. 2004.

\* cited by examiner

*Primary Examiner*—Freda S. Nunn

(74) *Attorney, Agent, or Firm*—Staas & Halsey LLP

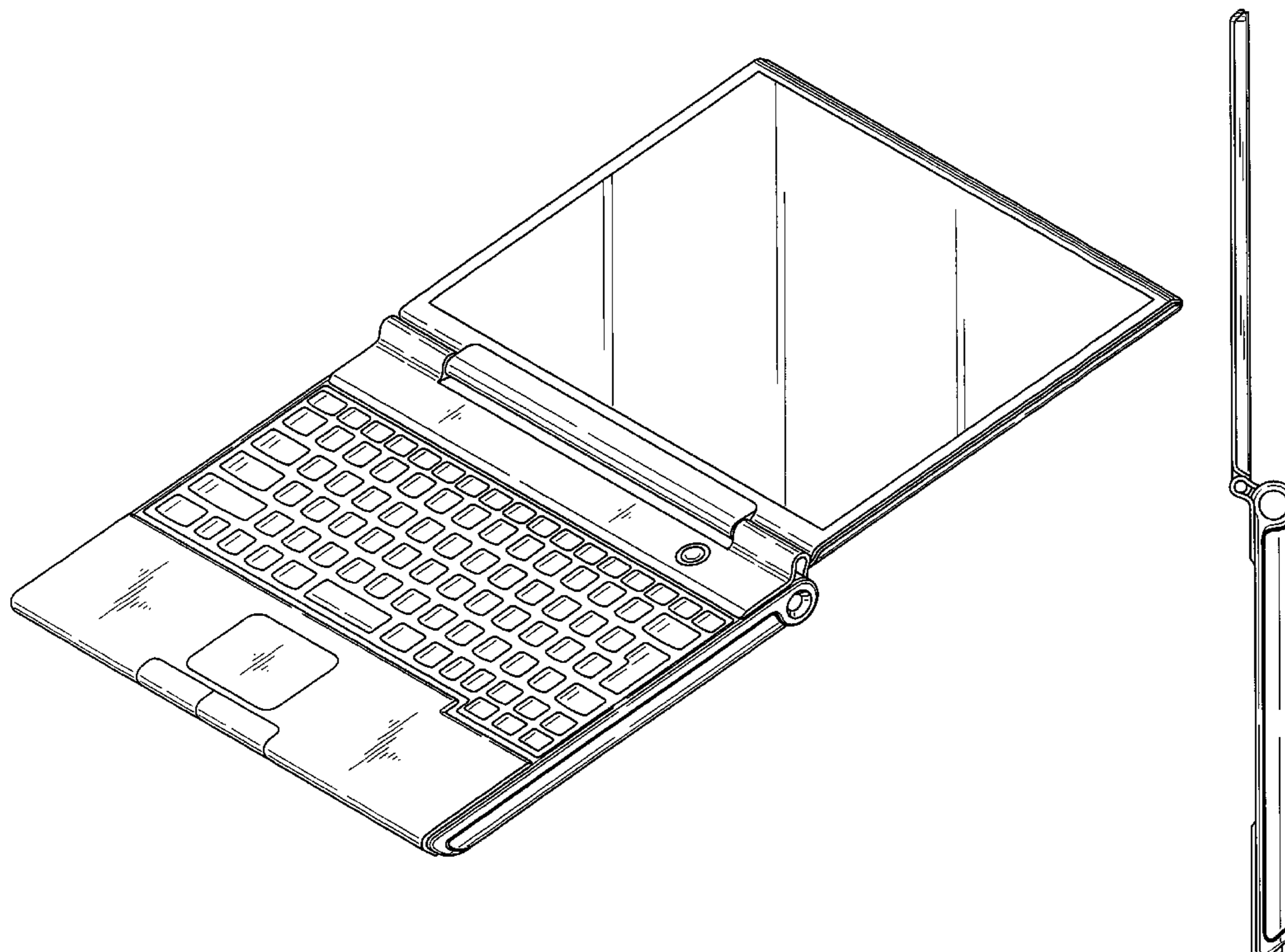
(57) **CLAIM**

The ornamental design for a personal computer, as shown and described.

**DESCRIPTION**

FIG. 1 is a perspective view of the front, bottom and right side of a personal computer showing my new design; FIG. 2 is a front view thereof; FIG. 3 is a rear view thereof; FIG. 4 is a top plan view thereof; FIG. 5 is a bottom view thereof; FIG. 6 is a left side view thereof; and, FIG. 7 is a right side view thereof.

**1 Claim, 5 Drawing Sheets**



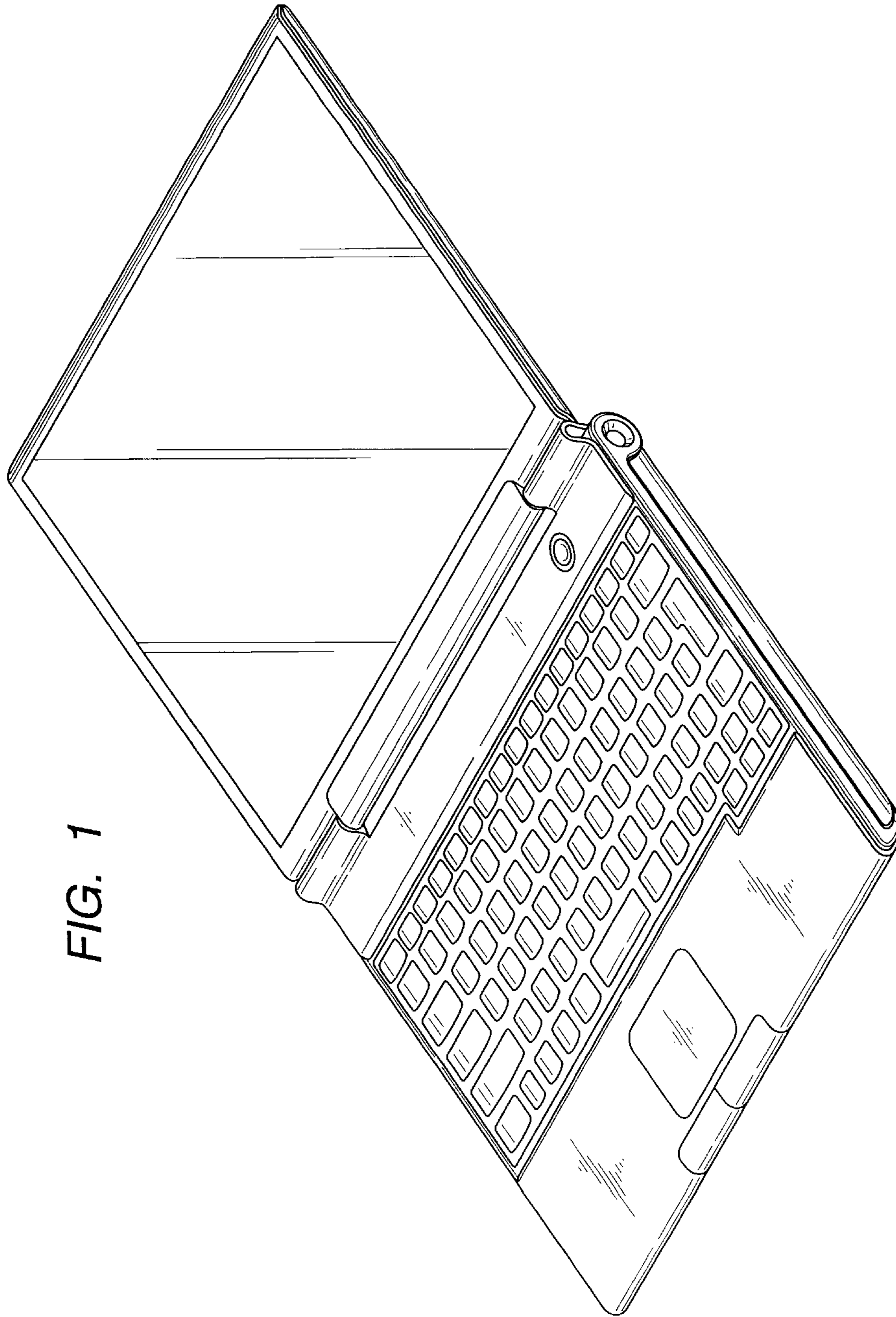
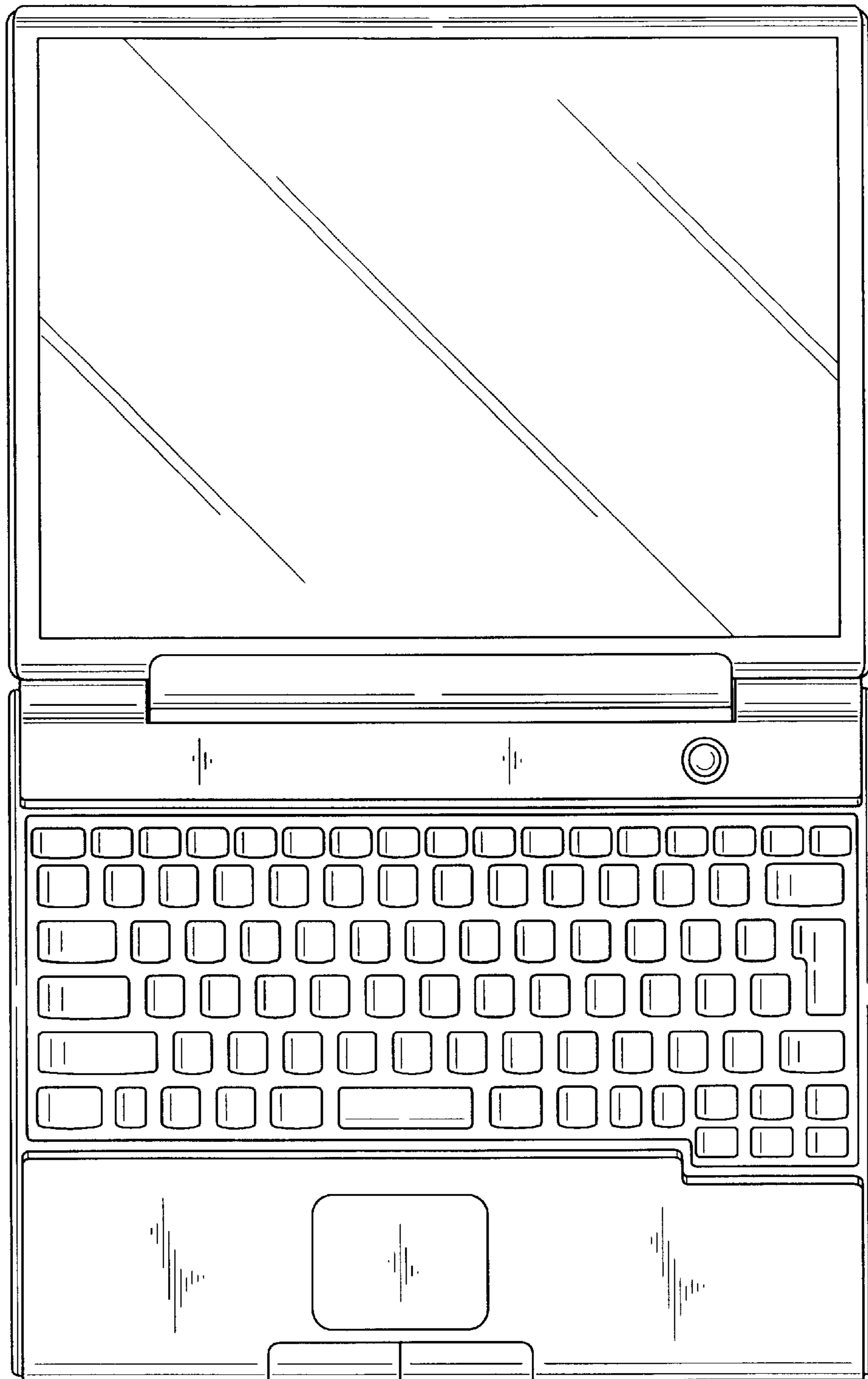
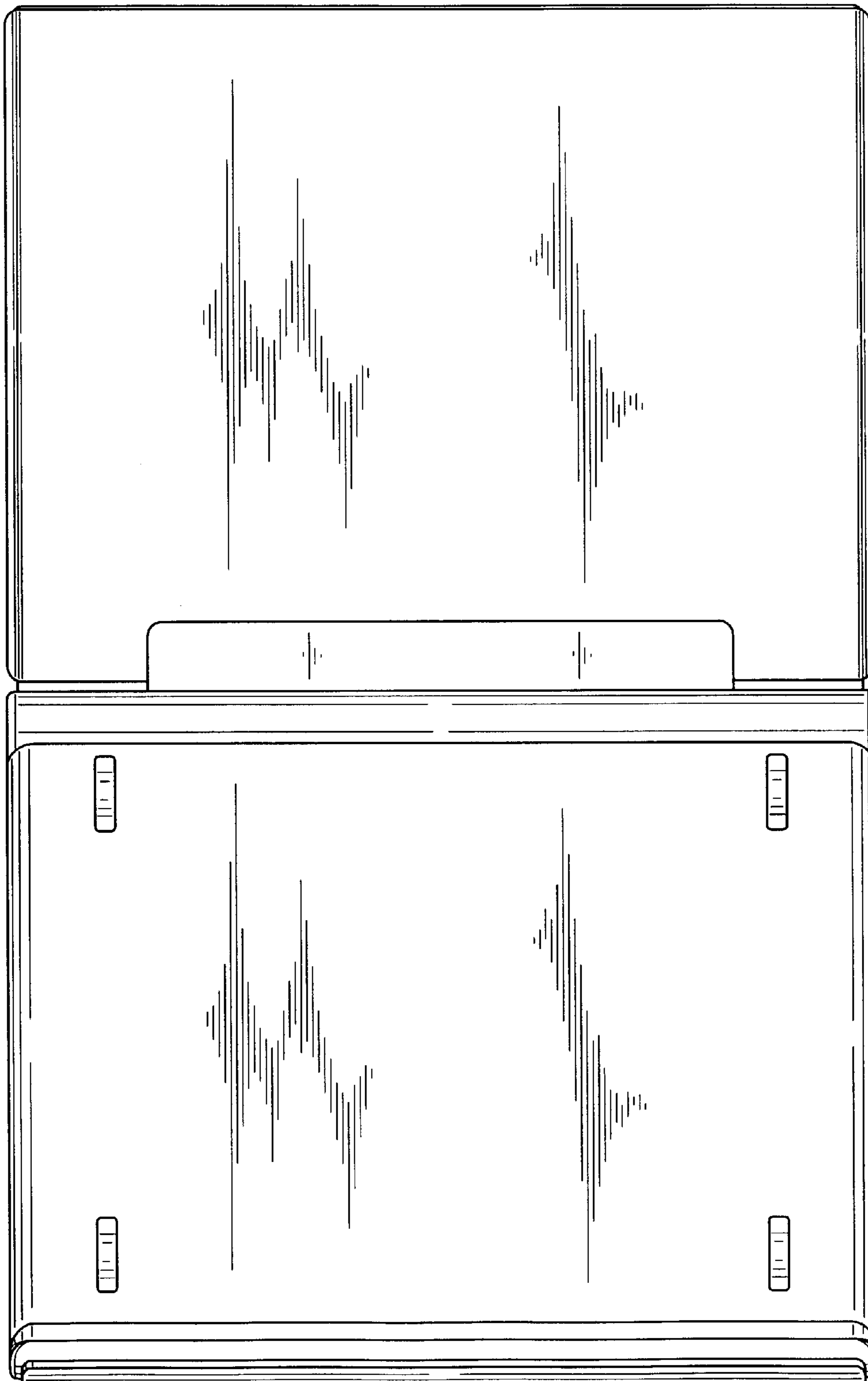


FIG. 1

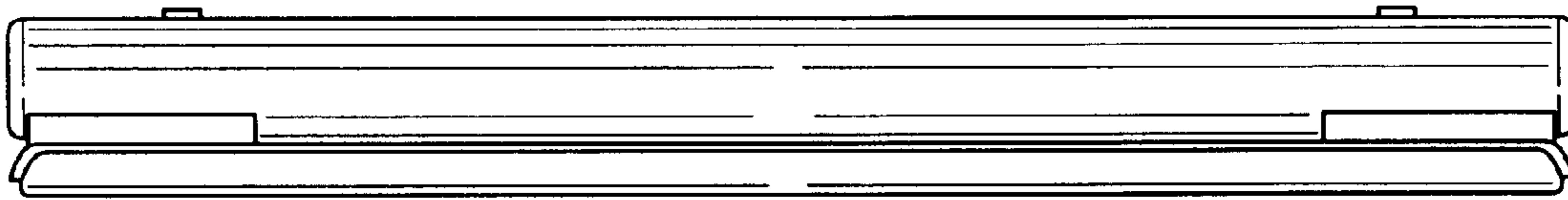
*FIG. 2*



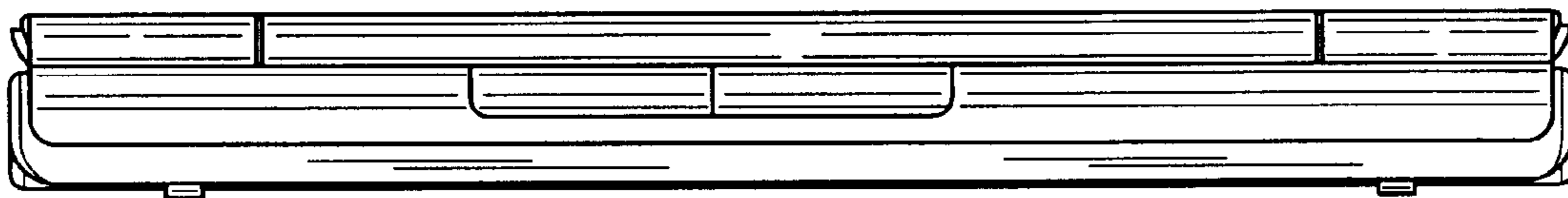
*FIG. 3*



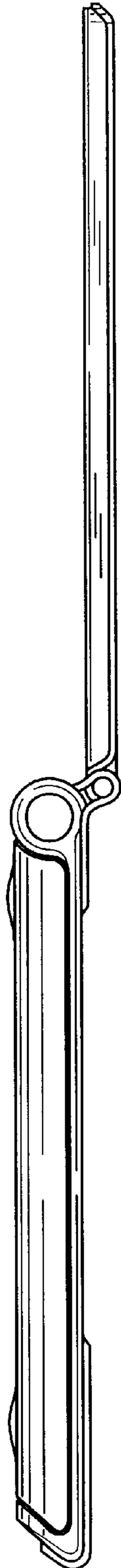
*FIG. 4*



*FIG. 5*



*FIG. 6*



*FIG. 7*

