



US00D518040S

(12) **United States Design Patent**
Tanimura

(10) **Patent No.:** **US D518,040 S**
(45) **Date of Patent:** **** Mar. 28, 2006**

(54) **COMPUTER**

(75) Inventor: **Yoichi Tanimura**, Nara-ken (JP)

(73) Assignee: **Sharp Kabushiki Kaisha**, Osaka (JP)

(**) Term: **14 Years**

(21) Appl. No.: **29/223,947**

(22) Filed: **Feb. 24, 2005**

(30) **Foreign Application Priority Data**

Sep. 28, 2004 (JP) 2004-029212

(51) **LOC (8) Cl.** **14-02**

(52) **U.S. Cl.** **D14/300; D14/348; D14/368**

(58) **Field of Classification Search** D14/348,
D14/356, 361-368; D13/162, 184, 199; 312/223.1,
312/223.3; 360/99.01-99.12; 361/680-686,
361/690-696

See application file for complete search history.

(56) **References Cited**

U.S. PATENT DOCUMENTS

5,363,273 A * 11/1994 Ma 361/686

D356,784 S * 3/1995 Hill et al. D14/362
D370,668 S * 6/1996 Hirose D14/368
D387,740 S * 12/1997 Kondo D14/368
6,741,467 B1 * 5/2004 Coglitore et al. 361/687

* cited by examiner

Primary Examiner—Freda S. Nunn

(74) *Attorney, Agent, or Firm*—Nixon & Vanderhye P.C.

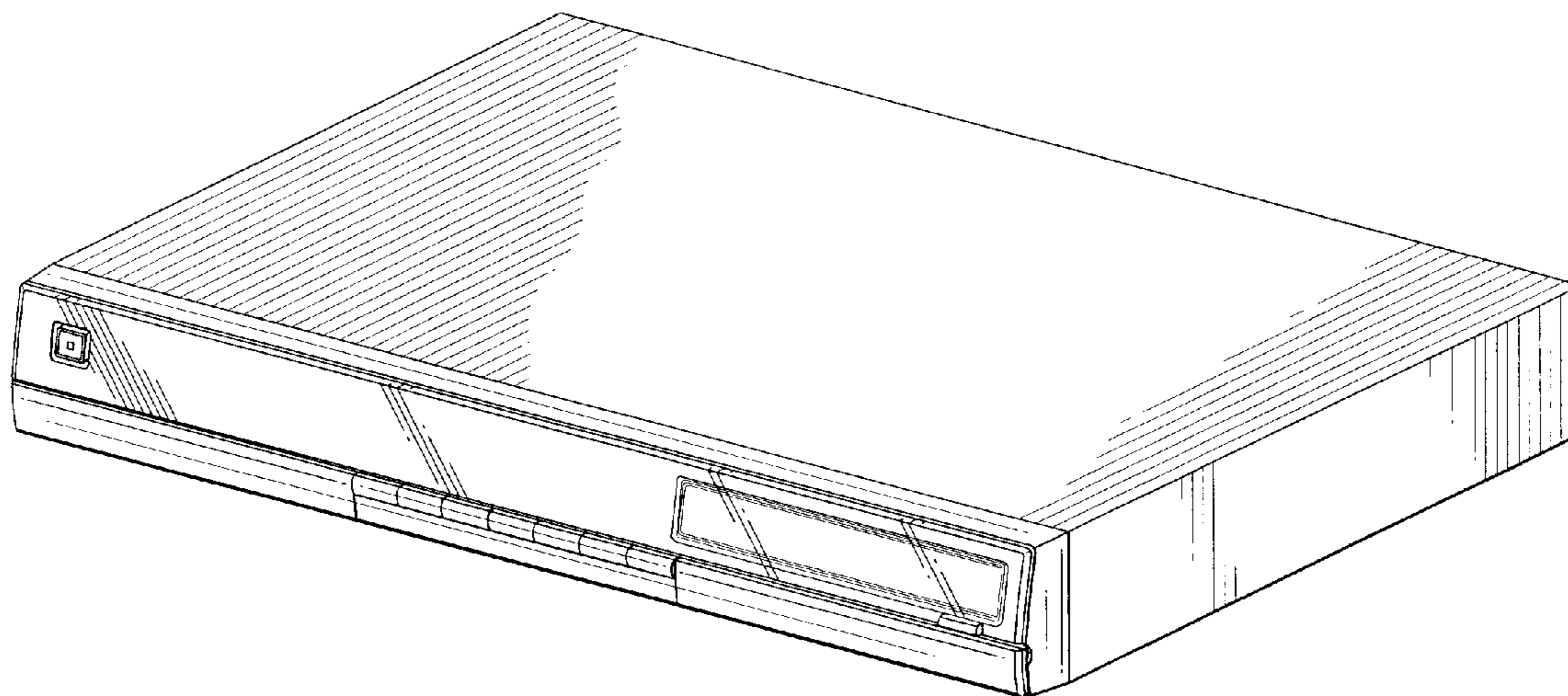
(57) **CLAIM**

The ornamental design for a “computer,” as shown and described.

DESCRIPTION

FIG. 1 is a top, front and right side perspective view of a computer according to my design;
FIG. 2 is a front elevational view thereof;
FIG. 3 is a rear elevational view thereof;
FIG. 4 is a top plan view thereof;
FIG. 5 is a bottom plan view thereof;
FIG. 6 is a right side elevational view thereof; and,
FIG. 7 is a left side elevational view thereof.

1 Claim, 5 Drawing Sheets



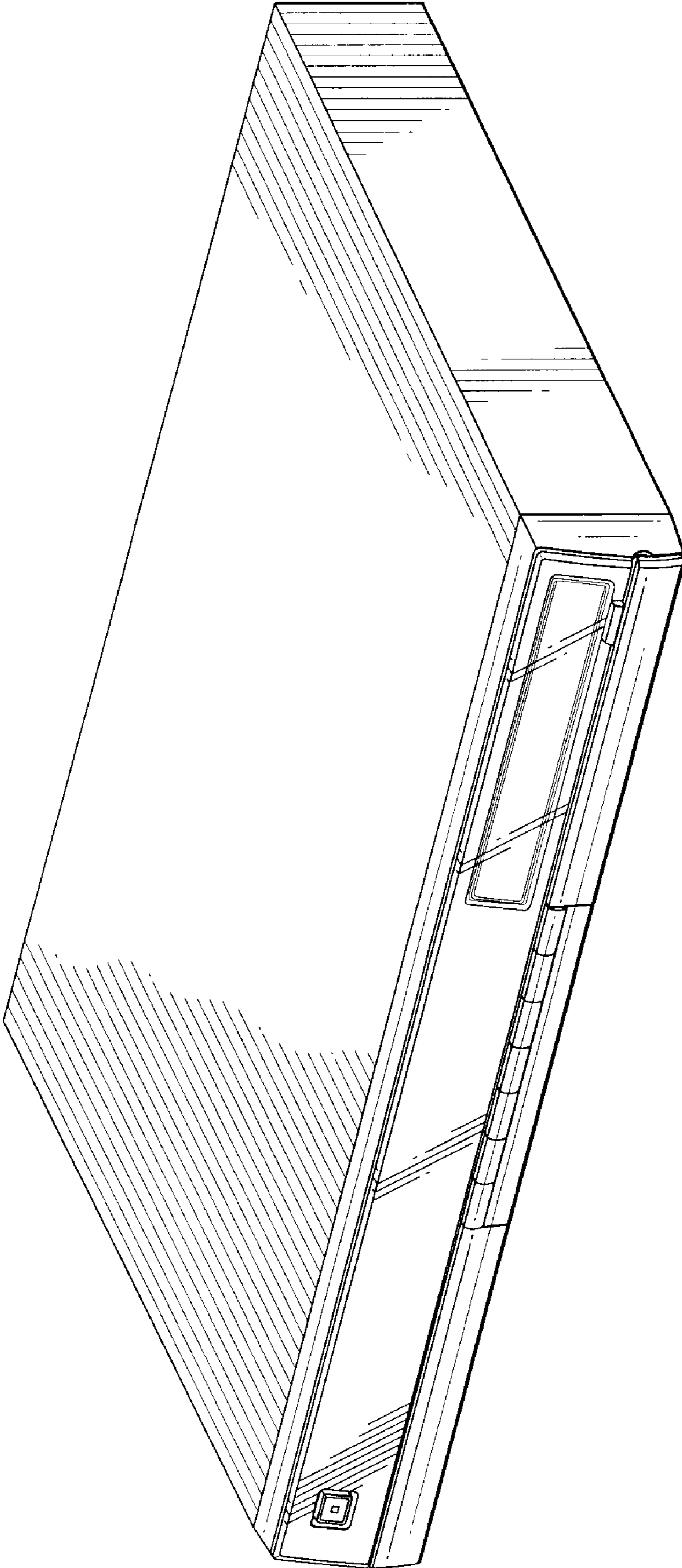


Fig. 1

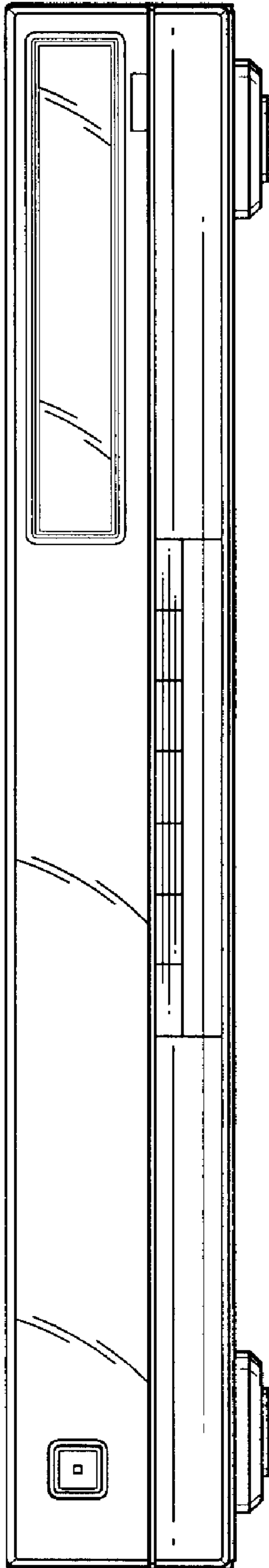


Fig. 2

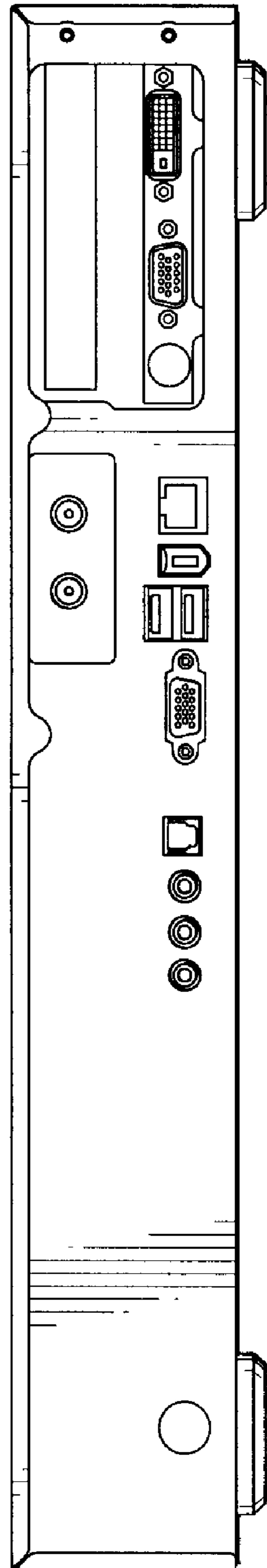


Fig. 3

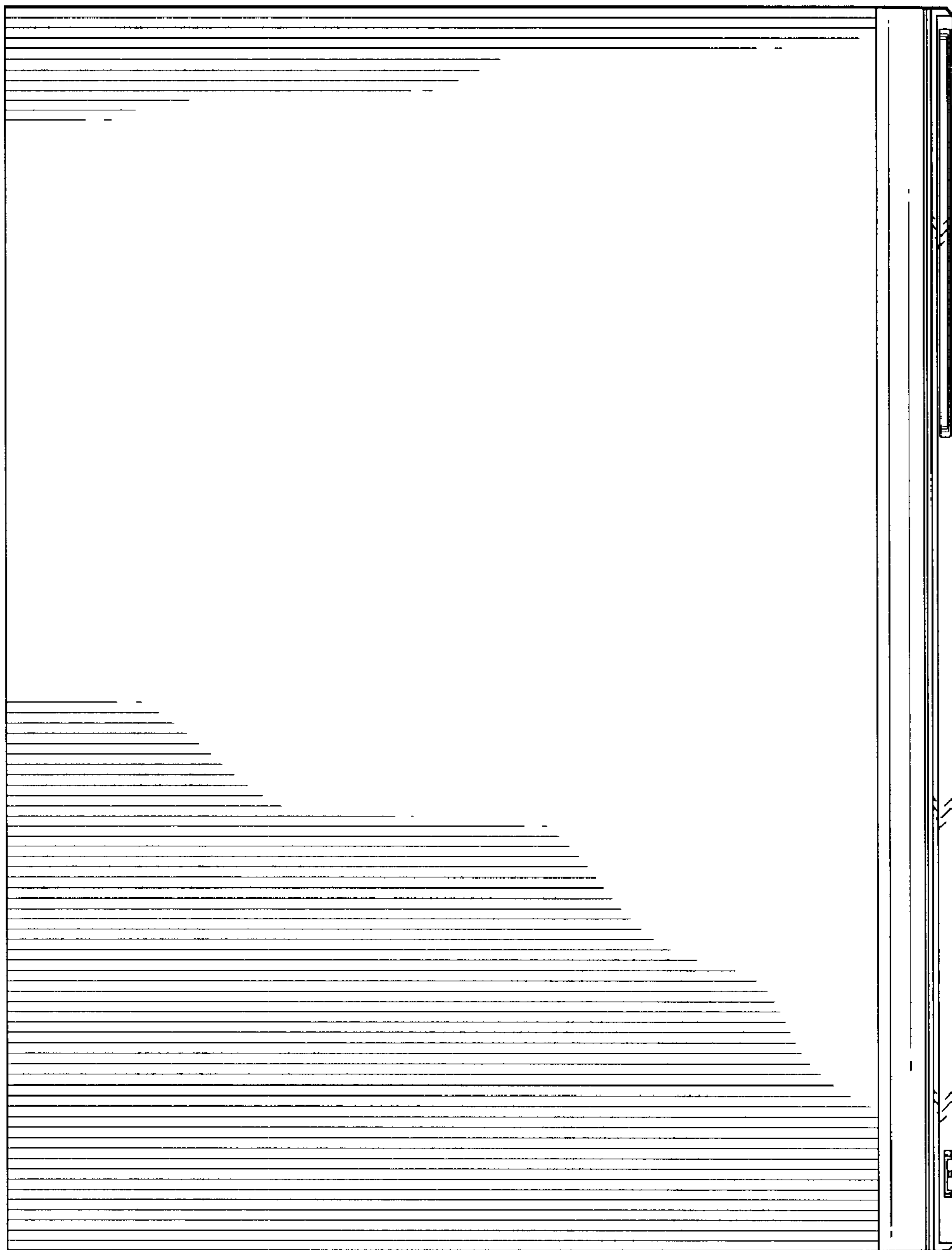


Fig. 4

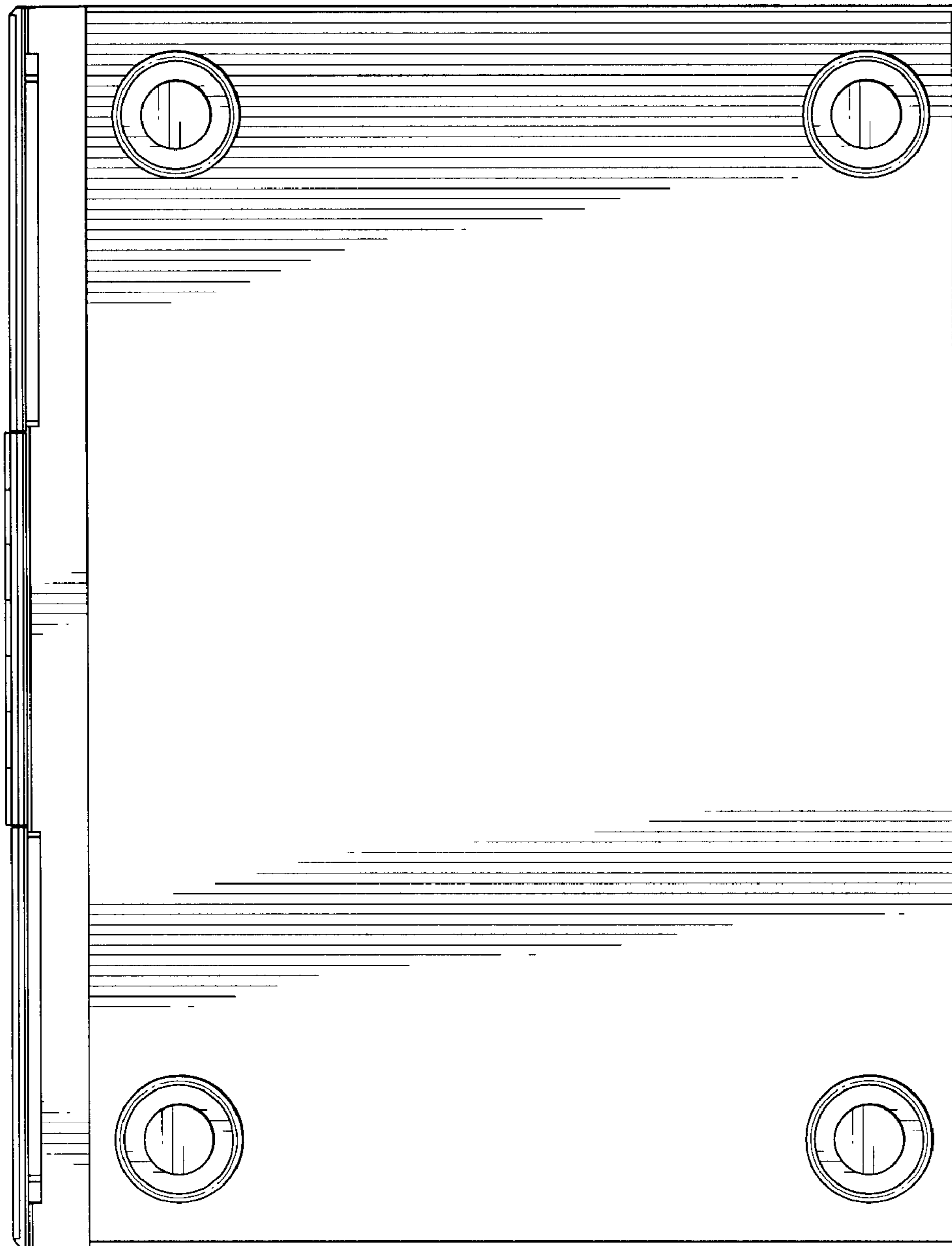


Fig. 5

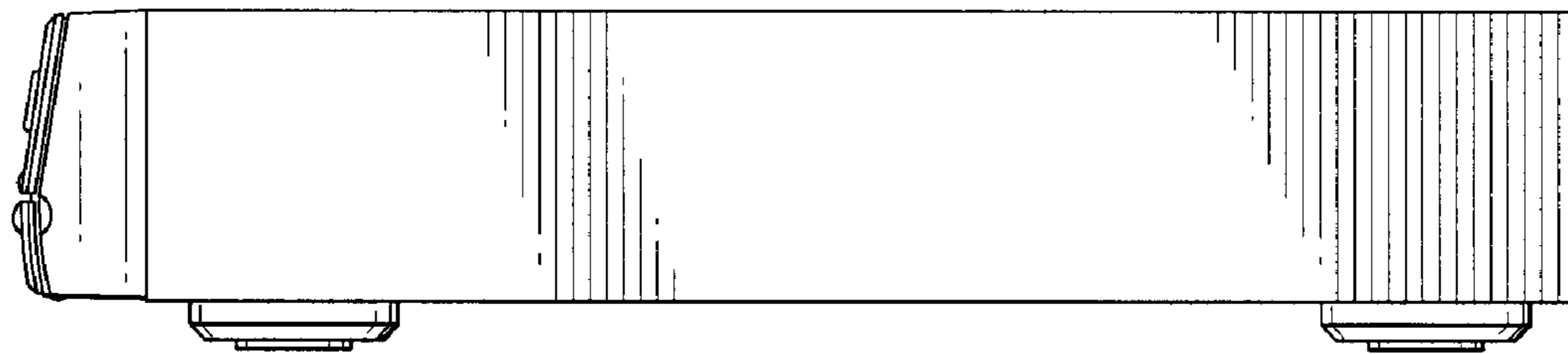


Fig. 6

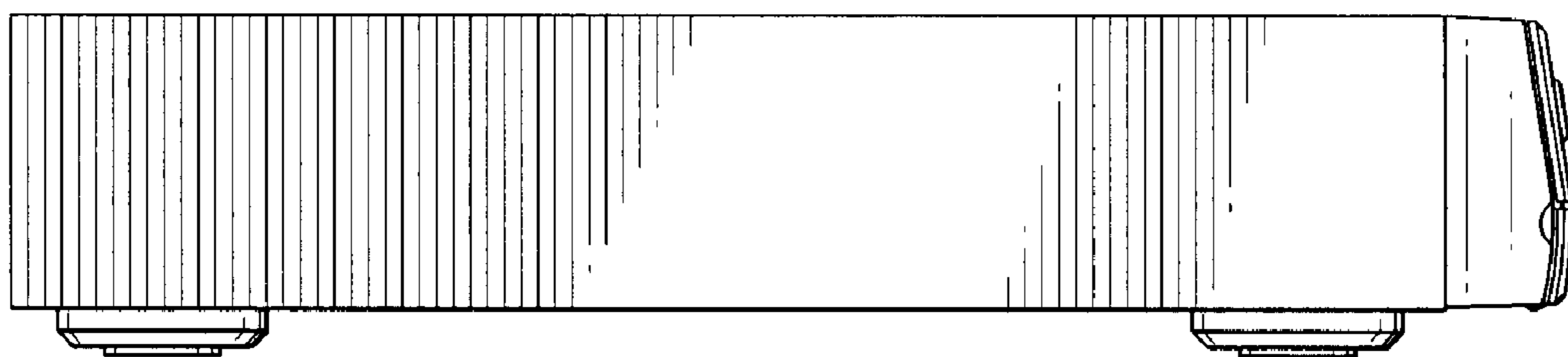


Fig. 7