



US00D518038S

(12) **United States Design Patent**
Aono et al.

(10) **Patent No.: US D518,038 S**
(45) **Date of Patent: ** Mar. 28, 2006**

(54) **COMBINED DIGITAL AUDIO DISC PLAYER,
RADIO AND TELEVISION TUNER AND
AUTOMOTIVE NAVIGATION SYSTEM**

D454,882 S * 3/2002 Jung D14/450
D507,193 S * 7/2005 Owaki et al. D10/65
2005/0187704 A1 * 8/2005 Peters 701/201

(75) Inventors: **Tetsuaki Aono**, Kobe (JP); **Kaede
Motoyama**, Kobe (JP)

FOREIGN PATENT DOCUMENTS

JP 1134044 2/2002

(73) Assignee: **Fujitsu Ten Limited** (JP)

* cited by examiner

(**) Term: **14 Years**

Primary Examiner—Cathron C. Brooks

Assistant Examiner—Austin Murphy

(21) Appl. No.: **29/202,518**

(74) *Attorney, Agent, or Firm*—SAIDMAN DesignLaw
Group

(22) Filed: **Mar. 31, 2004**

(57) **CLAIM**

(51) **LOC (8) Cl.** **14-01**

The ornamental design for a combined digital audio disc
player, radio and television tuner and automotive navigation
system, as shown and described.

(52) **U.S. Cl.** **D14/258**

(58) **Field of Classification Search** D14/445,
D14/444, 450, 126, 443, 441, 258, 257, 240,
D14/188, 137, 136; D13/184; D10/113, 65;
455/90.2, 348, 347; 361/814; 340/430; 342/357.1;
701/206, 209

DESCRIPTION

See application file for complete search history.

FIG. 1 is a front perspective view of a combined digital
audio disc player, radio and television tuner and automotive
navigation system showing our new design;

(56) **References Cited**

U.S. PATENT DOCUMENTS

D291,086 S * 7/1987 Price D14/450
D366,220 S * 1/1996 Sakamoto D10/65
D389,757 S * 1/1998 Nishimura et al. D10/65
D417,456 S * 12/1999 Kulla D14/258
D427,591 S * 7/2000 Burghoff et al. D14/258
D430,048 S * 8/2000 Hoofnagle et al. D10/78
D430,562 S * 9/2000 Richards D14/258
D438,849 S * 3/2001 Adachi et al. D14/126
D443,255 S * 6/2001 Lavelle et al. D14/126
D444,146 S * 6/2001 Weiland et al. D14/258
D445,043 S * 7/2001 Bendinelli D10/65
D449,049 S * 10/2001 Seeley et al. D14/450

FIG. 2 is a front view thereof;

FIG. 3 is a left side elevational view thereof, the right side
elevational view thereof being a mirror image of the left side
view;

FIG. 4 is a top plan view thereof;

FIG. 5 is a bottom plan view thereof;

FIG. 6 is a top plan view in open position thereof;

FIG. 7 is a front view in open position thereof; and,

FIG. 8 is a left side view showing the front panel opening
half.

The broken lines shown in the drawings form no part of the
claimed design.

1 Claim, 5 Drawing Sheets

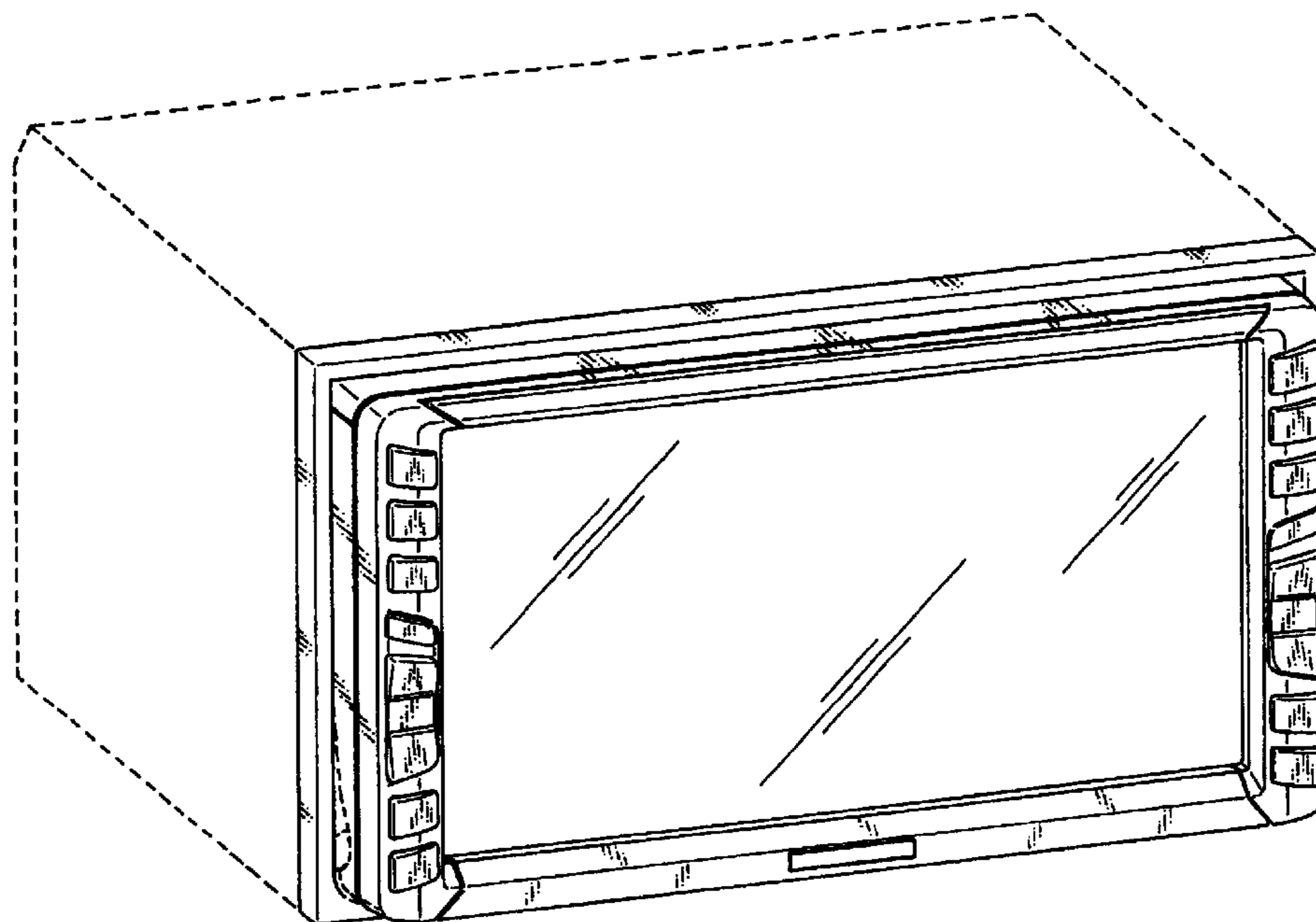


Fig. 1

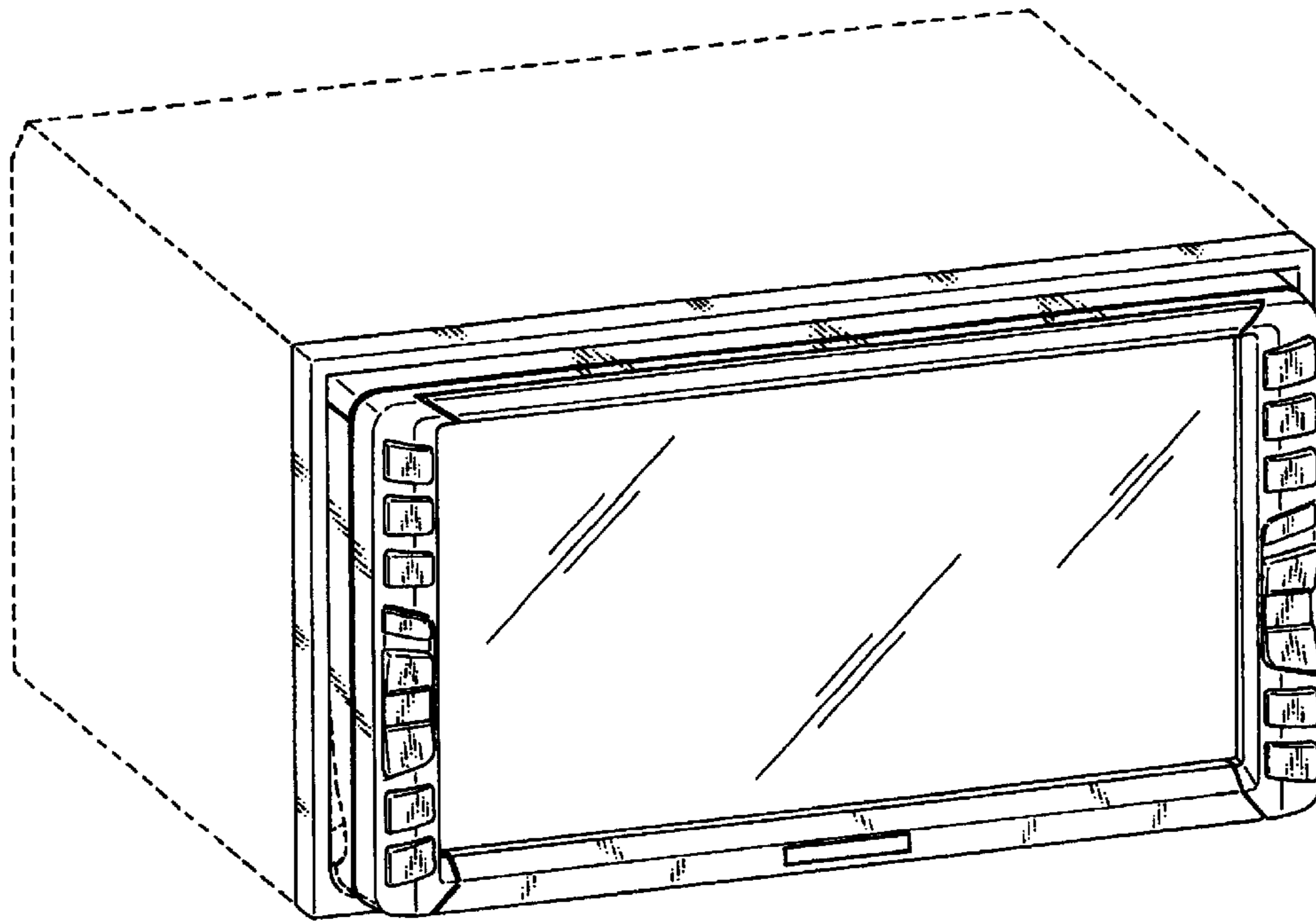


Fig. 2

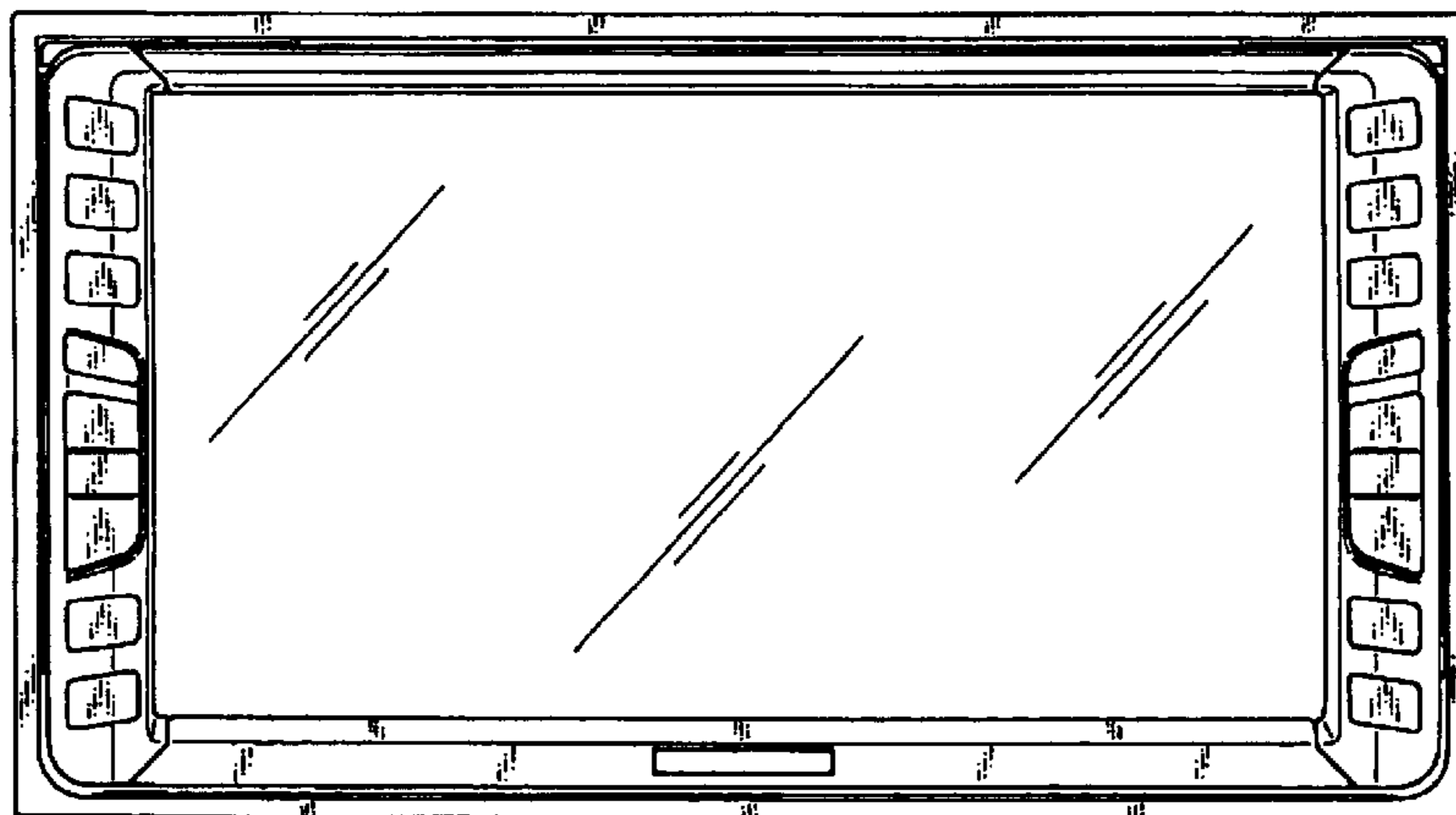


Fig.3

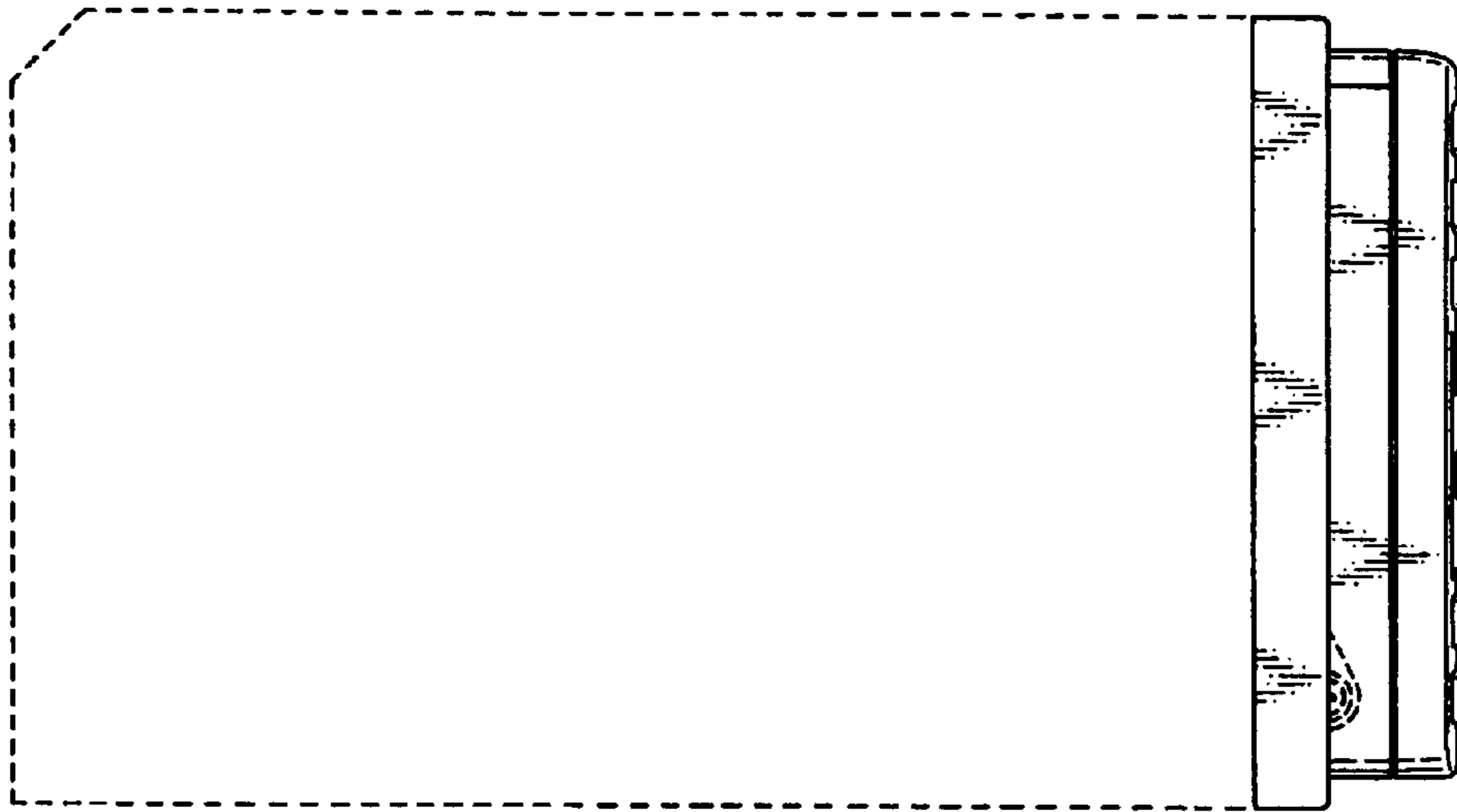


Fig.4

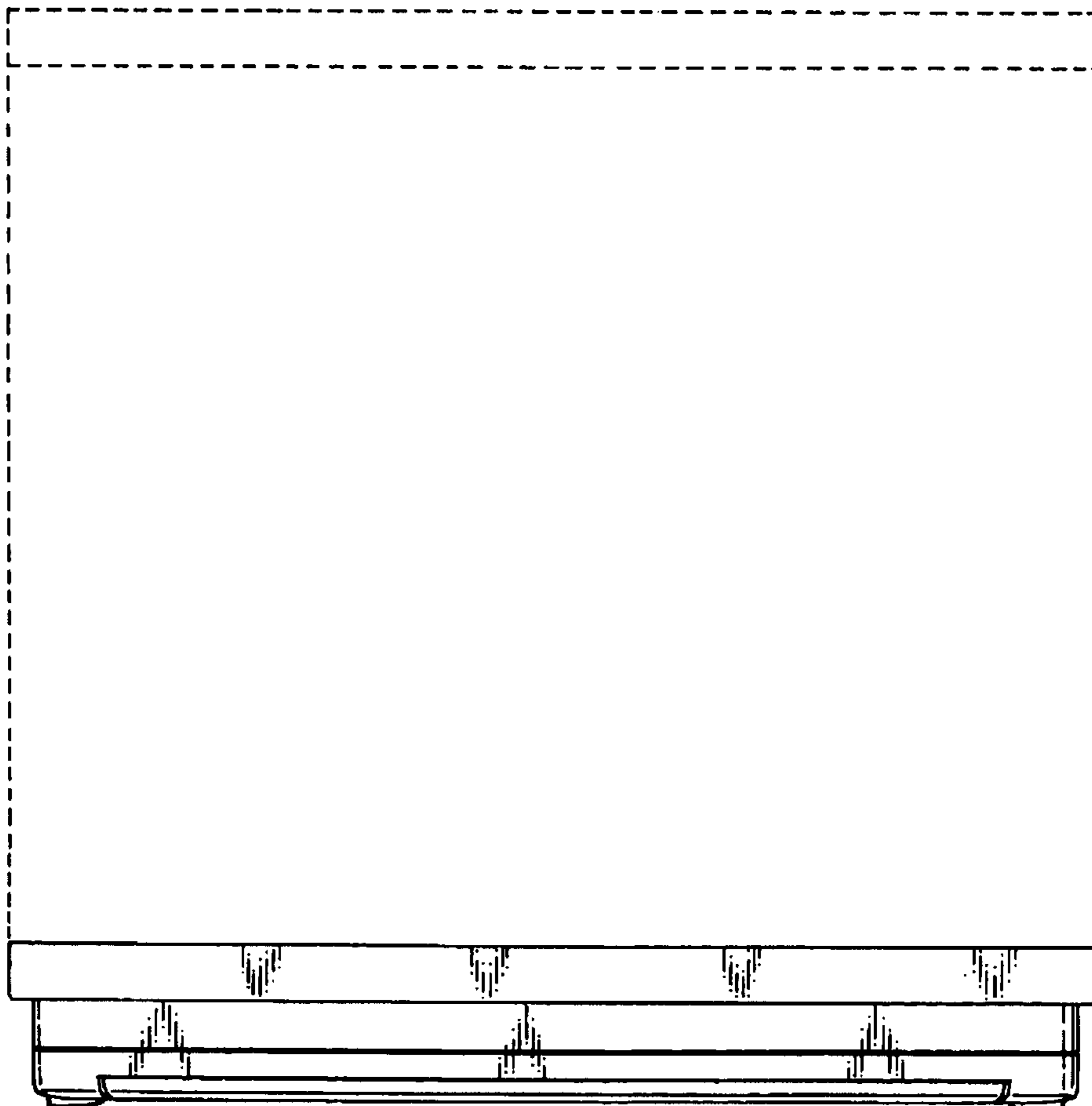


Fig.5

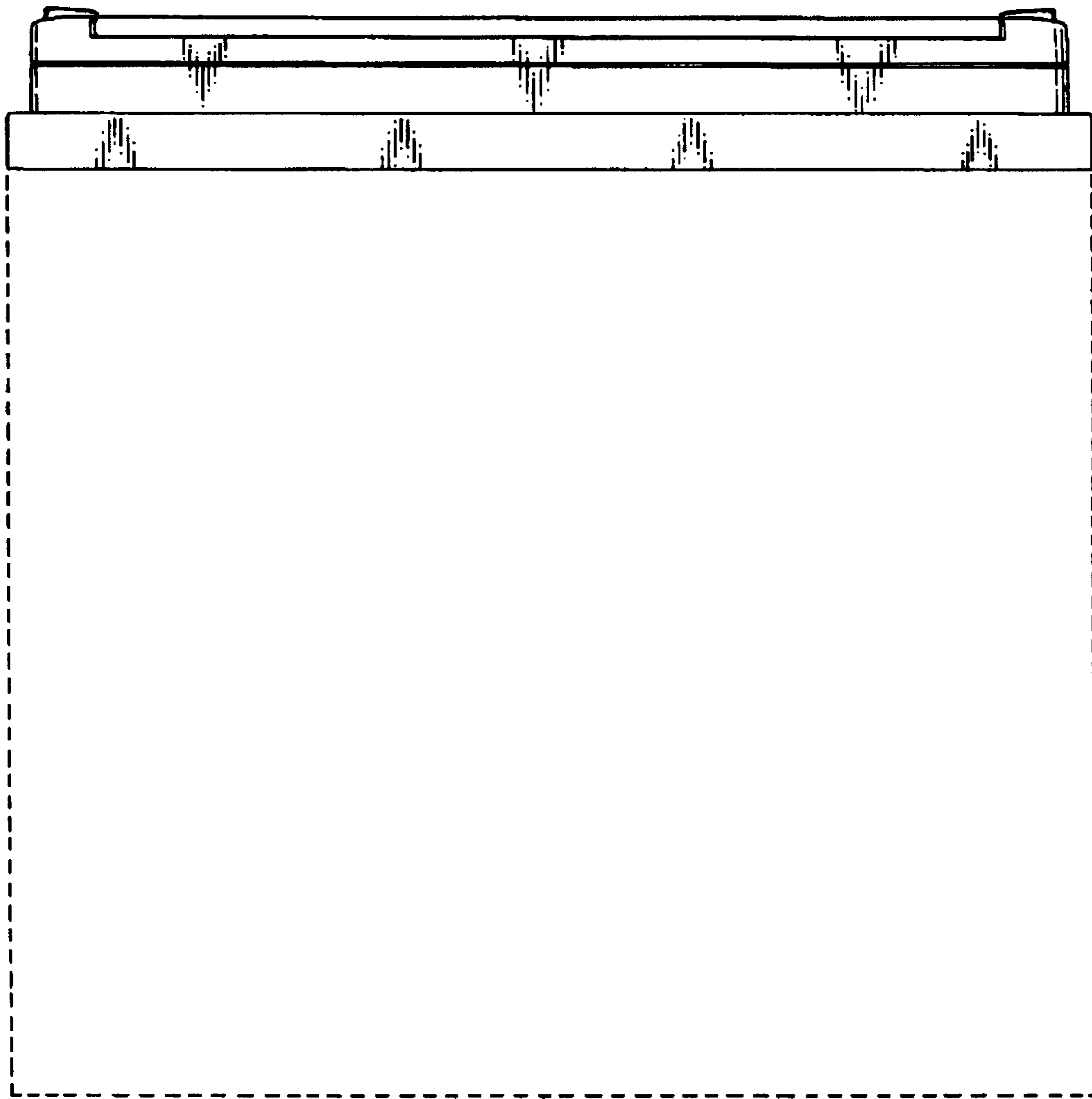


Fig.6

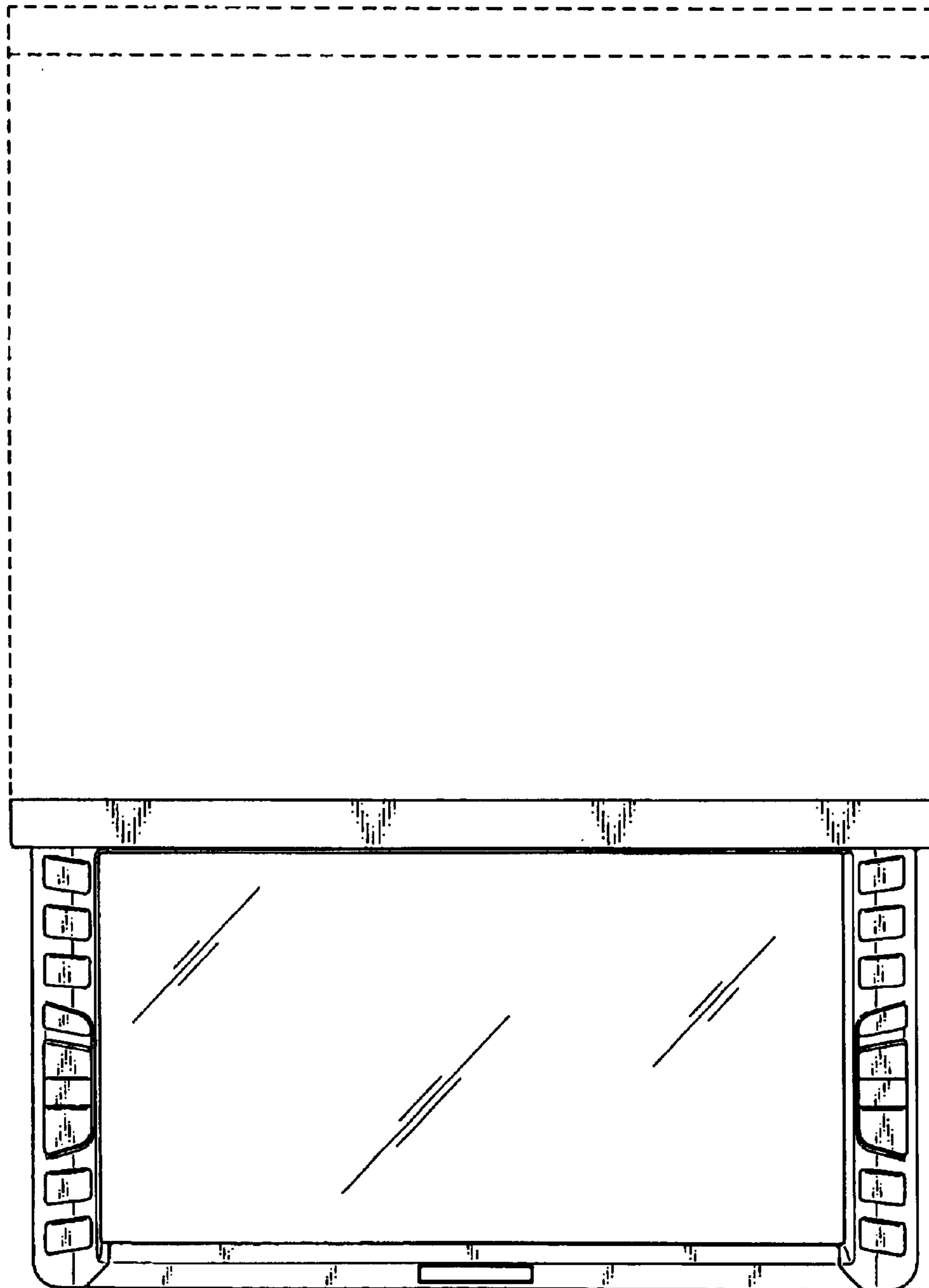


Fig.7

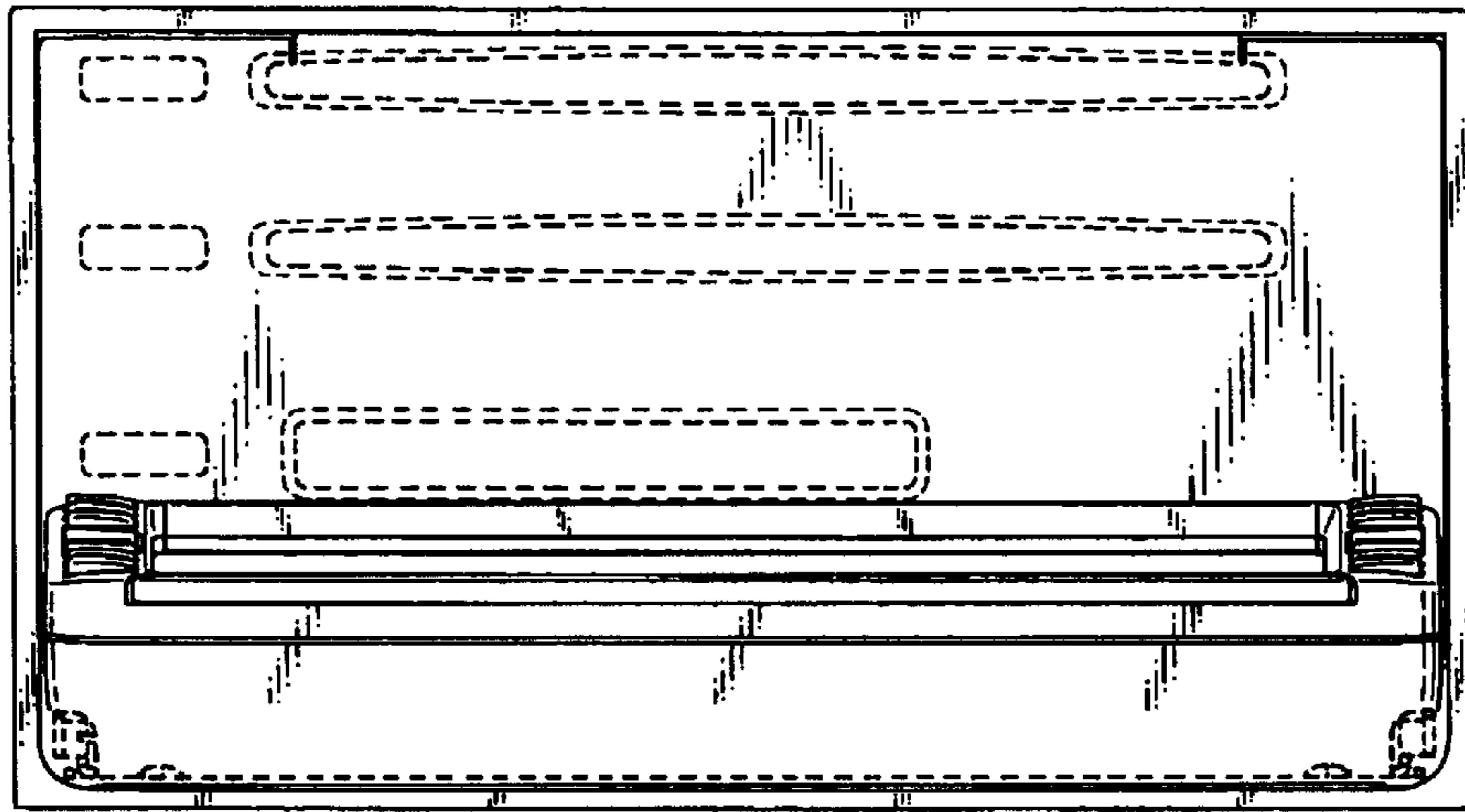


Fig.8

