



US00D518033S

(12) **United States Design Patent**
Lee

(10) **Patent No.:** **US D518,033 S**
(45) **Date of Patent:** **** Mar. 28, 2006**

(54) **BASE CRADLE FOR A COMMUNICATIONS HEADSET**

(75) Inventor: **Barry Lee**, Santa Cruz, CA (US)

(73) Assignee: **Plantronics, Inc.**, Santa Cruz, CA (US)

(**) Term: **14 Years**

(21) Appl. No.: **29/216,816**

(22) Filed: **Nov. 9, 2004**

(51) **LOC (8) Cl.** **14-01**

(52) **U.S. Cl.** **D14/224**

(58) **Field of Classification Search** D14/217,
D14/221, 224, 229, 149, 155, 251, 253, 168;
381/183, 187, 188, 430; 379/428, 433-440,
379/454-455, 446-447; 455/575.9

See application file for complete search history.

(56) **References Cited**

U.S. PATENT DOCUMENTS

D343,841 S	*	2/1994	Hon et al.	D14/251
D353,371 S	*	12/1994	Delhaes	D14/149
D355,913 S	*	2/1995	Chong	D14/168
5,867,773 A	*	2/1999	Mareno et al.	455/575.9

D433,005 S	*	10/2000	McGugan	D14/155
6,141,417 A	*	10/2000	Lopez et al.	379/446
D455,418 S	*	4/2002	Schmidt et al.	D14/224
D461,794 S	*	8/2002	Polito et al.	D14/224
D462,950 S	*	9/2002	Waffensmith et al.	D14/251
D496,029 S	*	9/2004	Skulley et al.	D14/224

* cited by examiner

Primary Examiner—Paula A. Greene

(74) *Attorney, Agent, or Firm*—Peter Hsieh

(57) **CLAIM**

The ornamental design for a base cradle for a communications headset, as shown and described.

DESCRIPTION

FIG. 1 is an upper front left perspective view of a base cradle for a communications headset.

FIG. 2 is a front elevational view of the base cradle.

FIG. 3 is a right side elevational view of the base cradle.

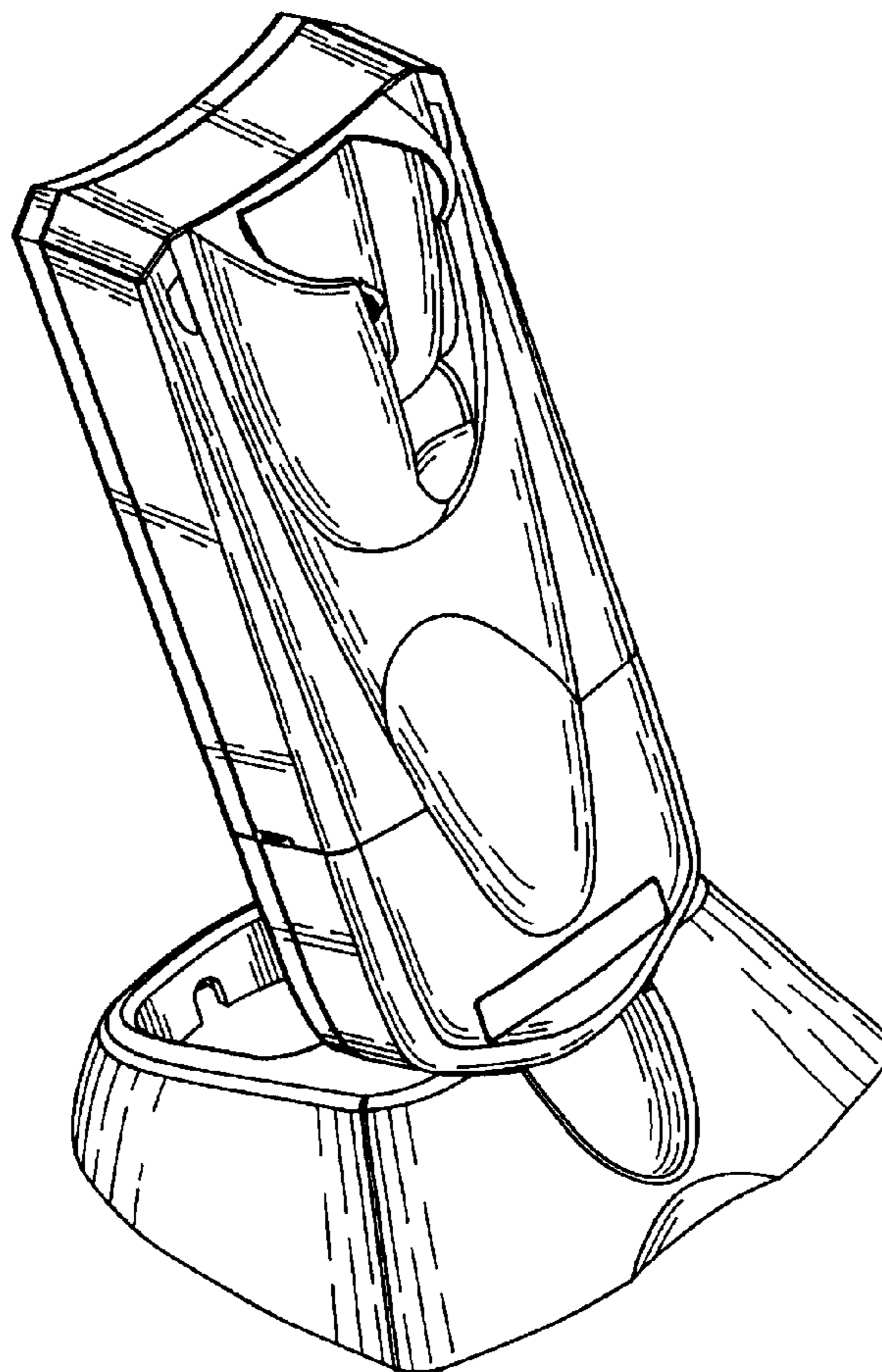
FIG. 4 is a left side elevational view of the base cradle.

FIG. 5 is a rear elevational view of the base cradle.

FIG. 6 is a bottom plan view of the base cradle; and,

FIG. 7 is a top plan view of the base cradle.

1 Claim, 2 Drawing Sheets



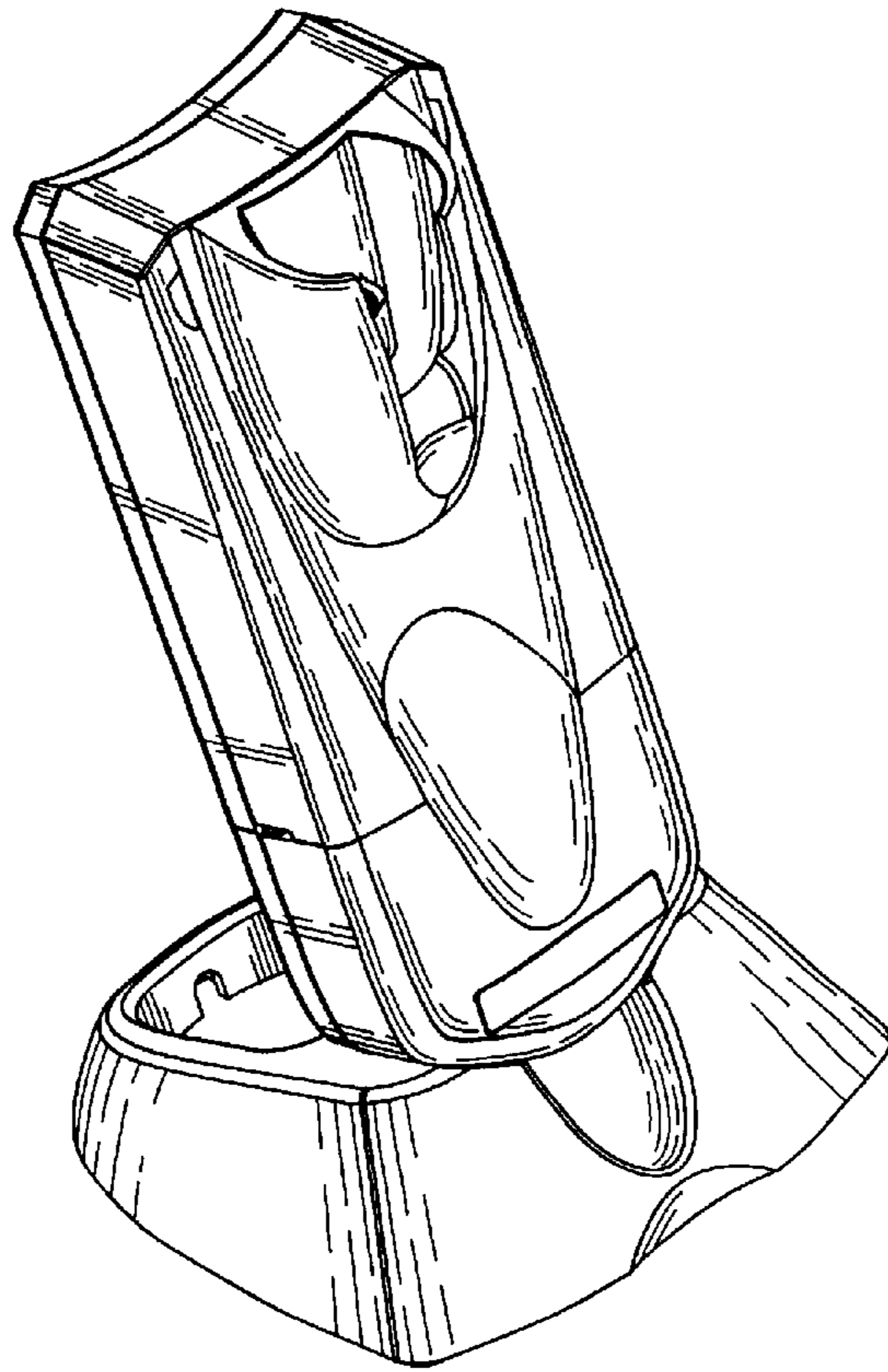


FIG. 1

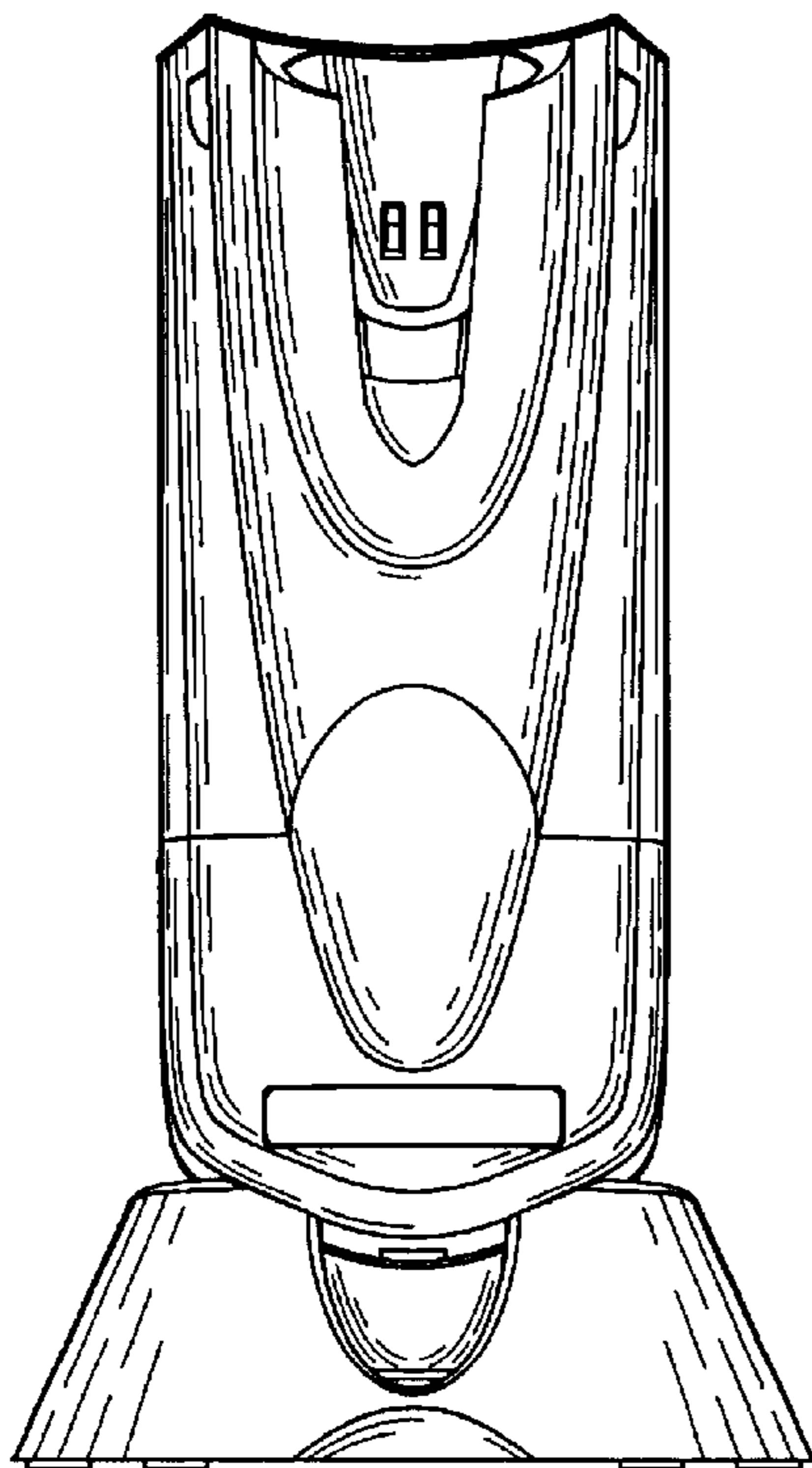


FIG. 2

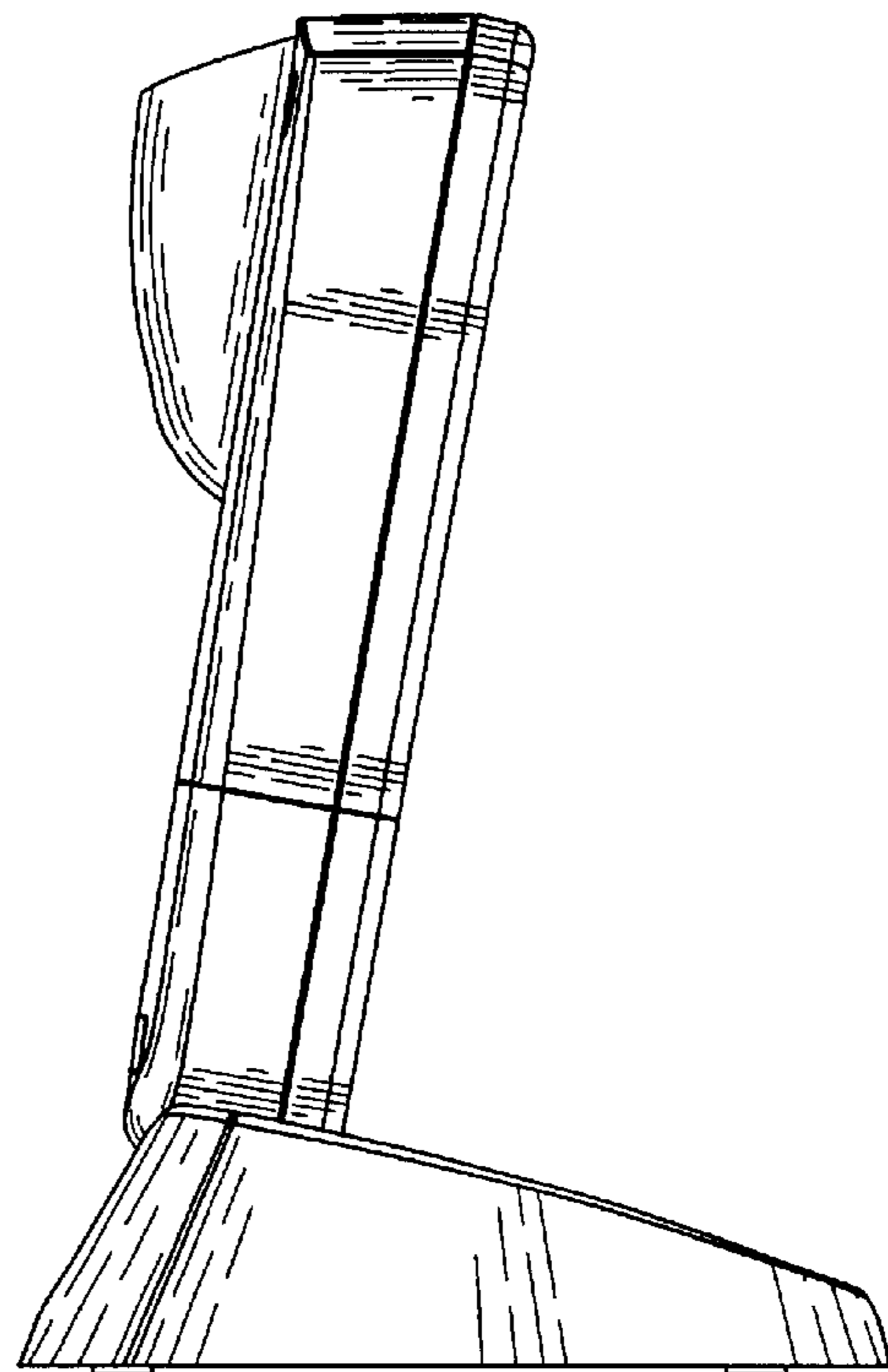


FIG. 3

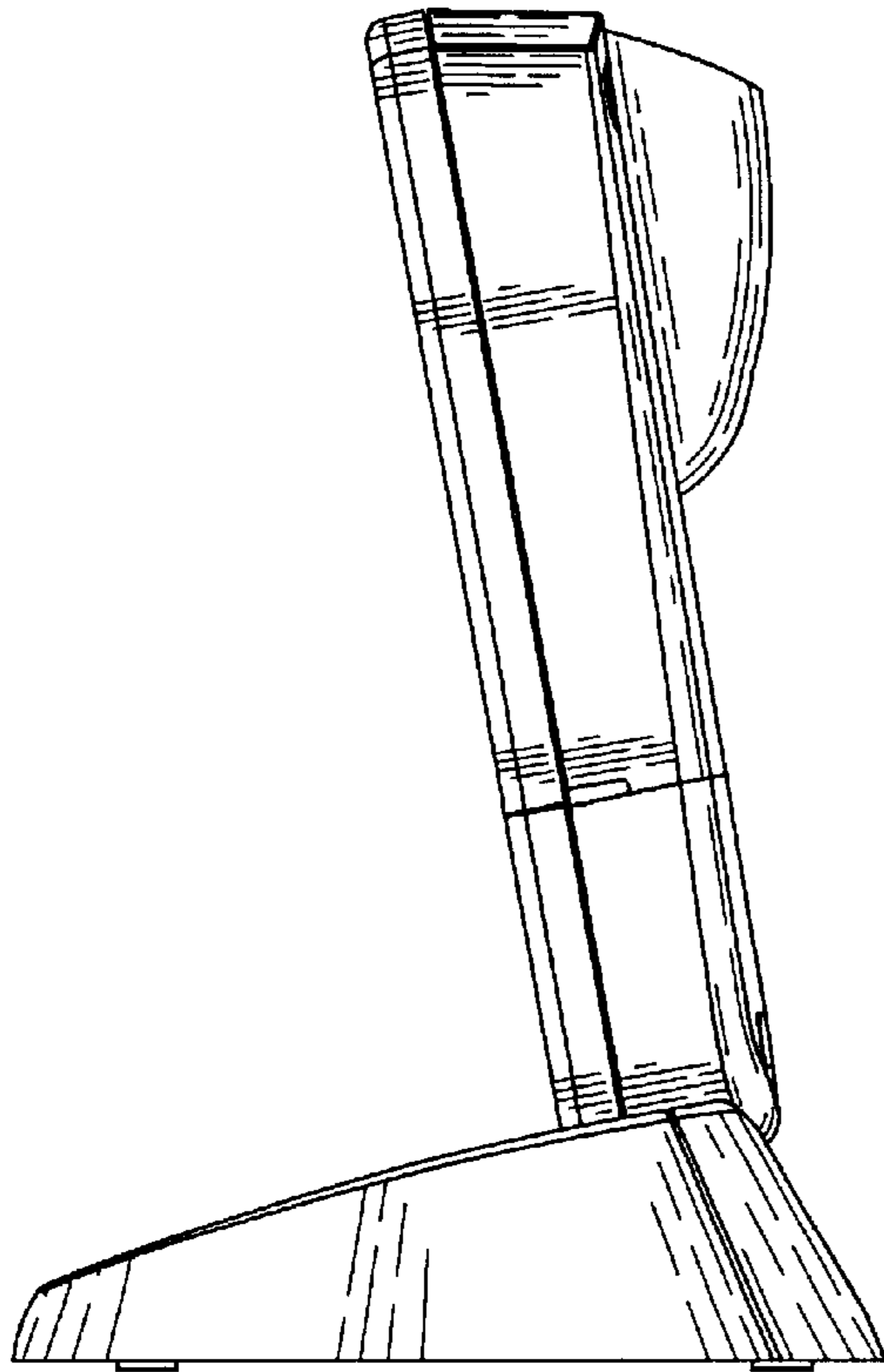


FIG. 4

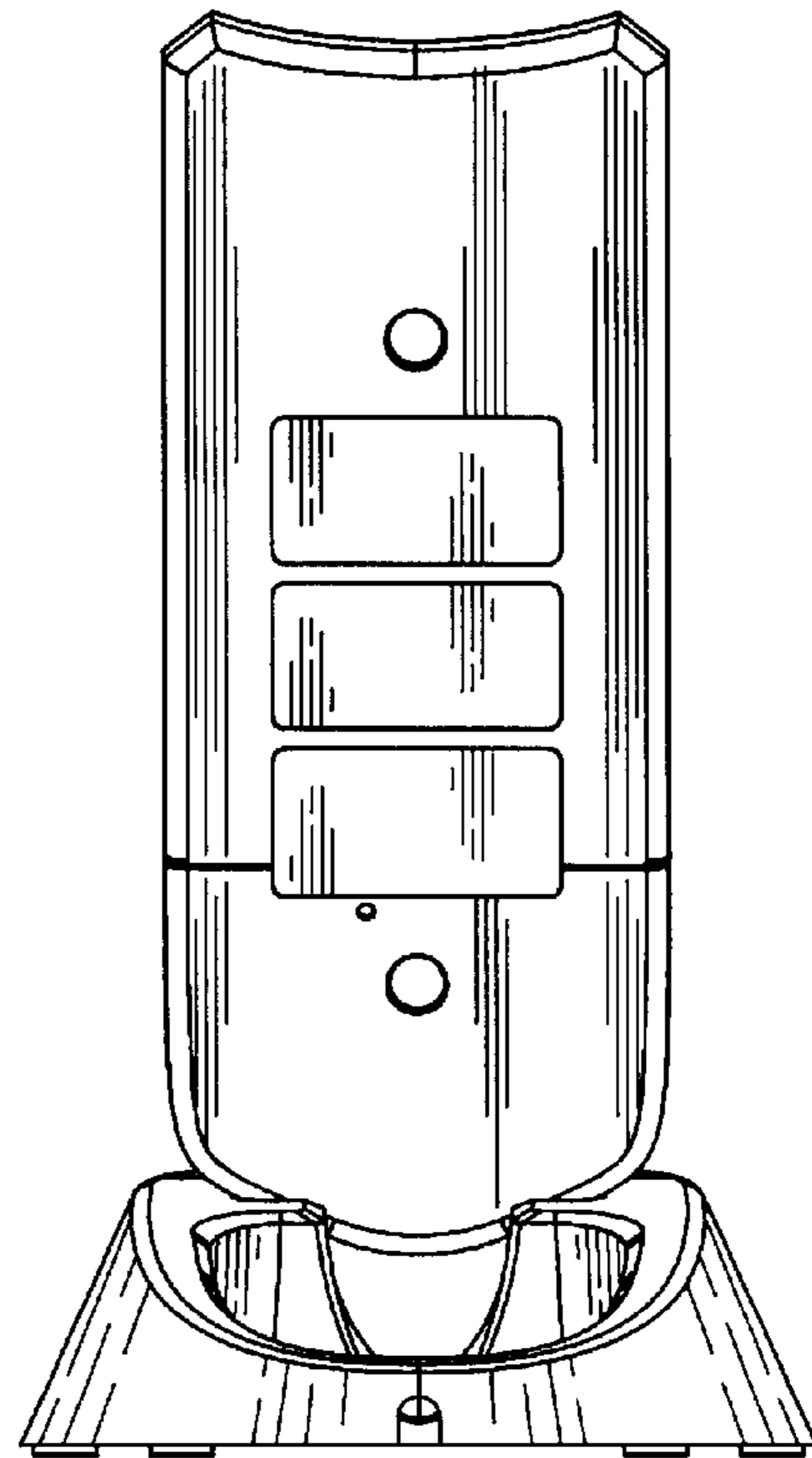


FIG. 5

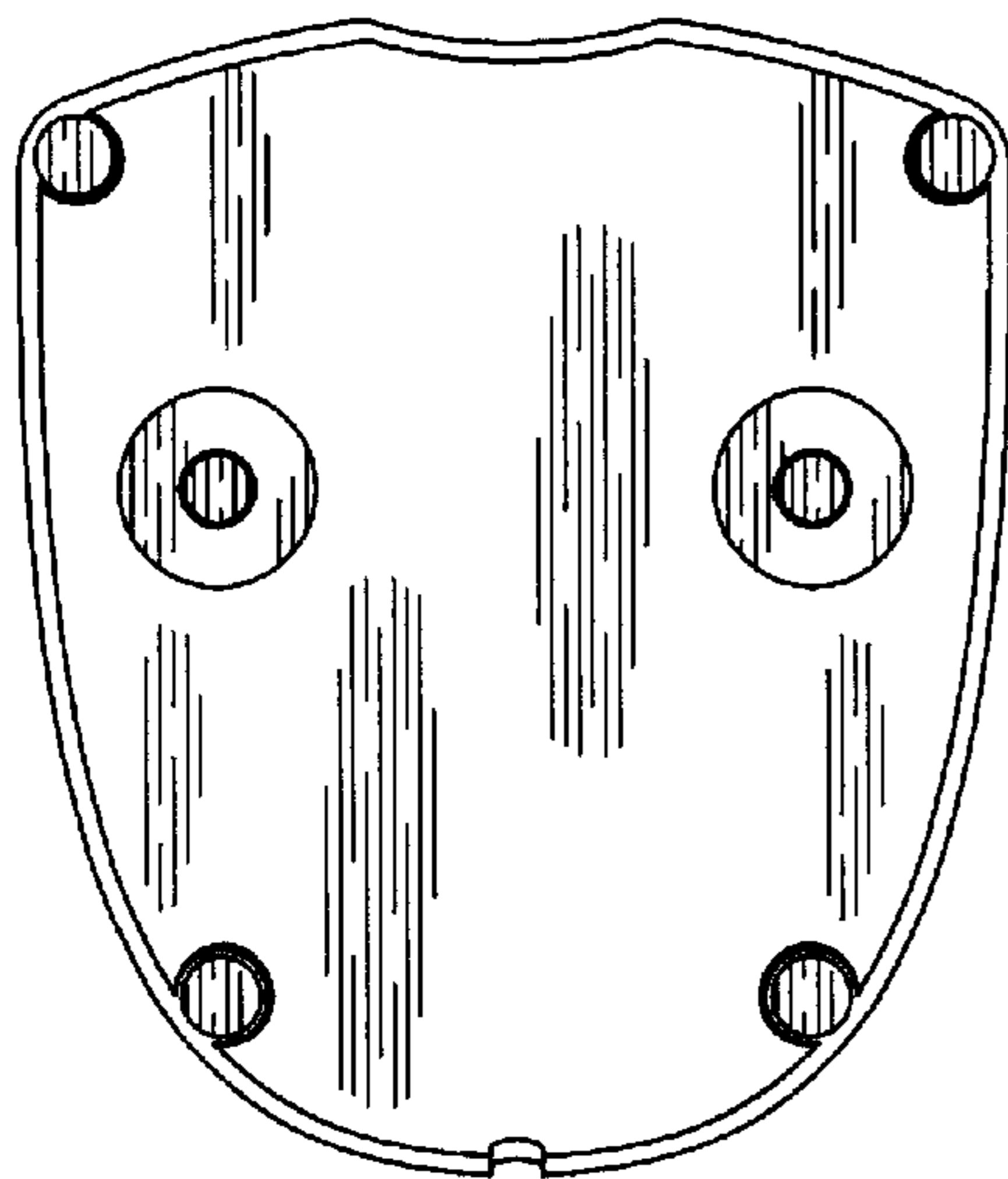


FIG. 6

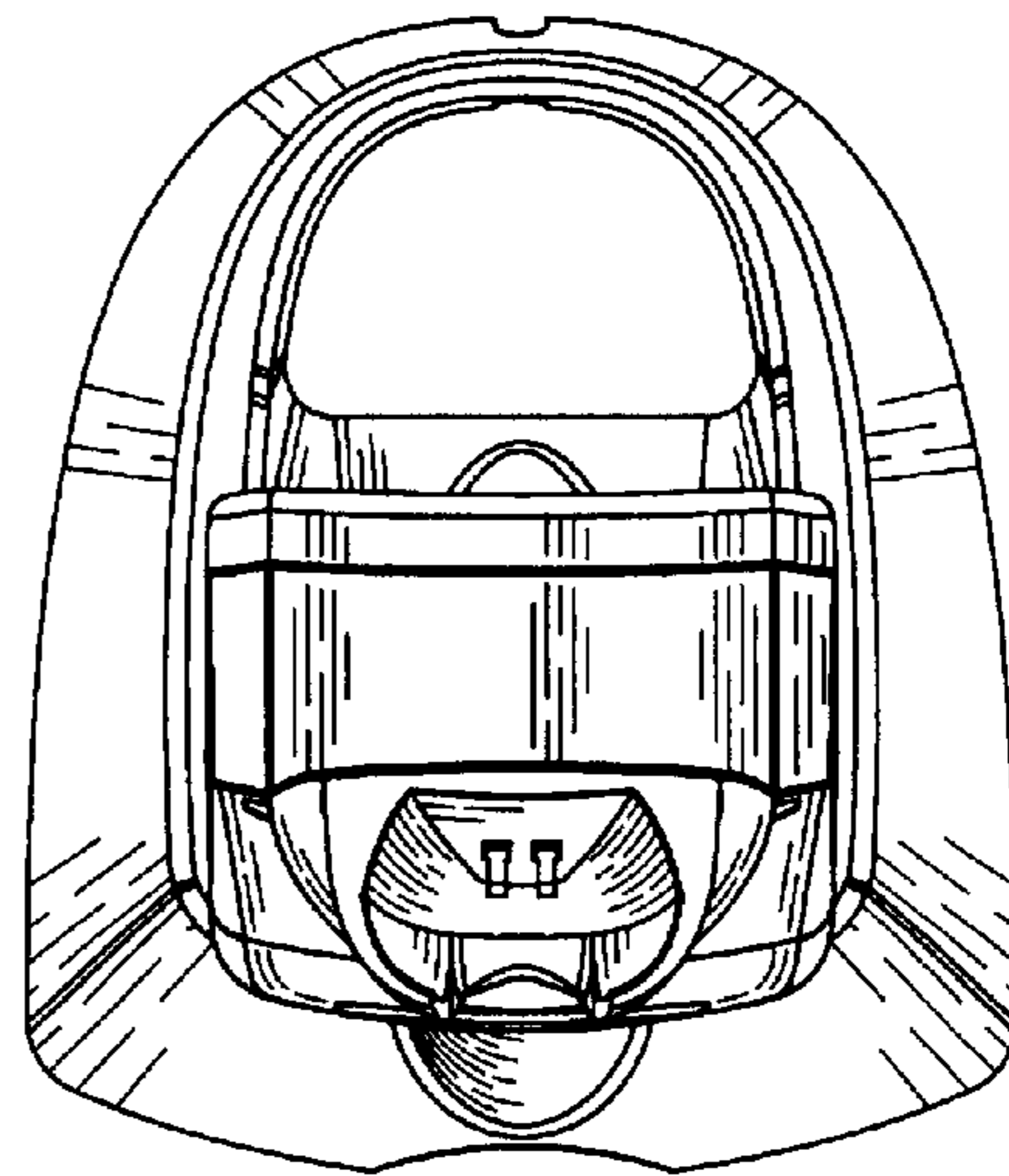


FIG. 7