



US00D518031S

(12) **United States Design Patent**  
**Wu**

(10) **Patent No.:** **US D518,031 S**  
(45) **Date of Patent:** **\*\* Mar. 28, 2006**

(54) **REMOTE CONTROL**

(75) Inventor: **Chun-Ting Wu**, Hsinchu (TW)  
(73) Assignee: **Lite-on It Corporation**, Hsinchu (TW)  
(\*\*) Term: **14 Years**

(21) Appl. No.: **29/234,403**  
(22) Filed: **Jul. 18, 2005**

**Related U.S. Application Data**

(63) Continuation-in-part of application No. 29/186,756, filed on Jul. 21, 2003.

(30) **Foreign Application Priority Data**

May 30, 2003 (CN) ..... 92303370

(51) **LOC (8) Cl.** ..... **14-03**  
(52) **U.S. Cl.** ..... **D14/218**  
(58) **Field of Classification Search** ..... D14/174,  
D14/217, 218, 137-139, 151, 191-193, 299,  
D14/167, 168; D13/168, 162-164; D21/512-517,  
D21/566; D10/104, 106; 455/352-355, 151.1-151.4,  
455/128, 347, 90.3; 348/114, 734  
See application file for complete search history.

(56) **References Cited**

U.S. PATENT DOCUMENTS

D384,940 S \* 10/1997 Kono et al. .... D13/168  
D392,641 S \* 3/1998 Fenner ..... D14/218  
D478,568 S \* 8/2003 Hussaini et al. .... D14/218

\* cited by examiner

*Primary Examiner*—Louis S. Zarfes  
*Assistant Examiner*—John Windmuller  
(74) *Attorney, Agent, or Firm*—Thomas, Kayden,  
Horstemeyer & Risley

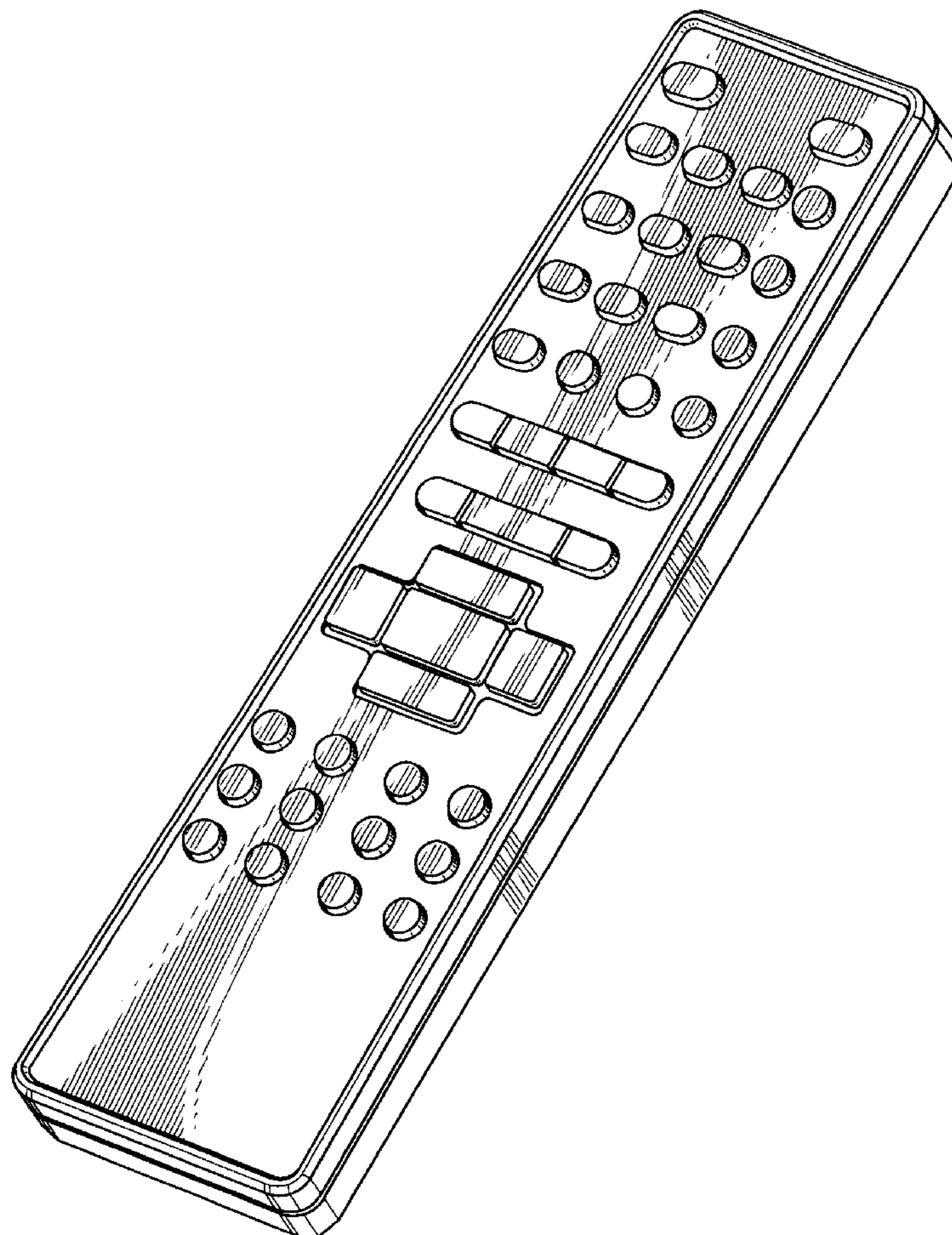
(57) **CLAIM**

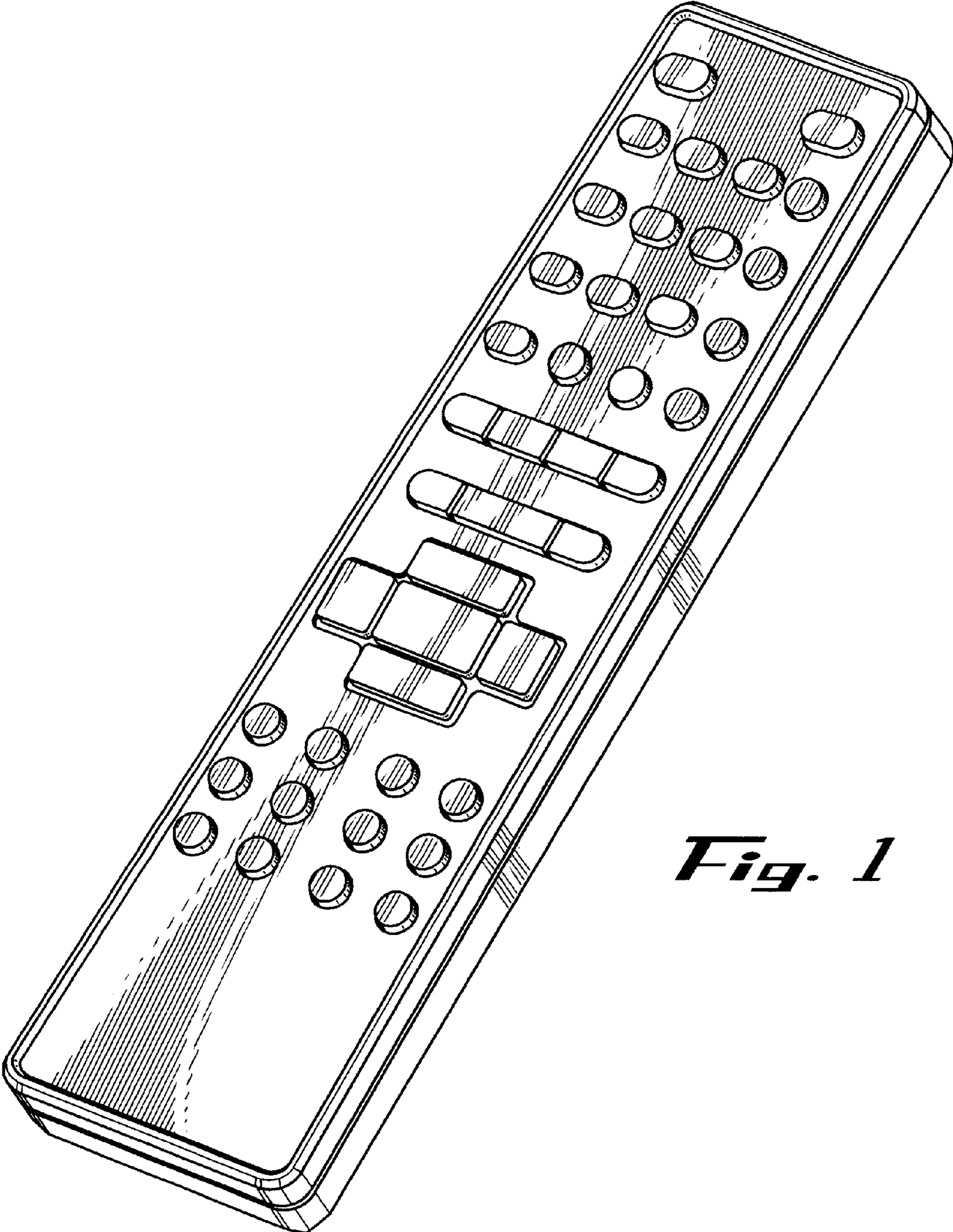
The ornamental design for a remote control, as shown.

**DESCRIPTION**

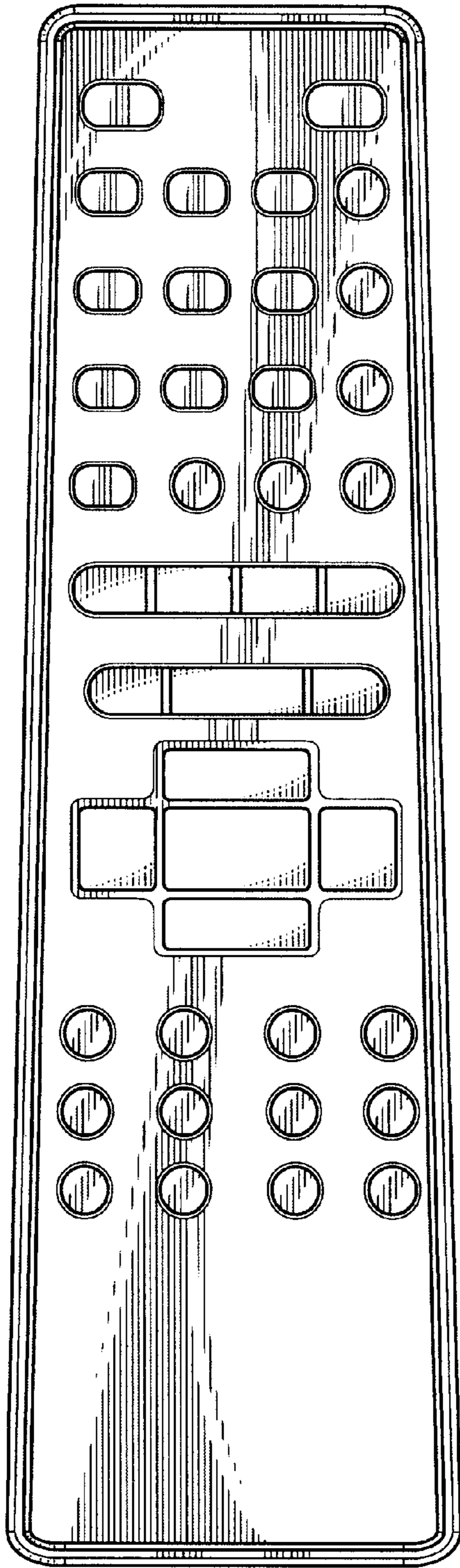
FIG. 1 is a perspective view of view of a remote control showing my new design;  
FIG. 2 is a front elevational view thereof;  
FIG. 3 is a rear elevational view thereof;  
FIG. 4 is a right side elevational view thereof;  
FIG. 5 is a left side elevational view thereof;  
FIG. 6 is a top plan view thereof; and,  
FIG. 7 is a bottom plan view thereof.

**1 Claim, 4 Drawing Sheets**

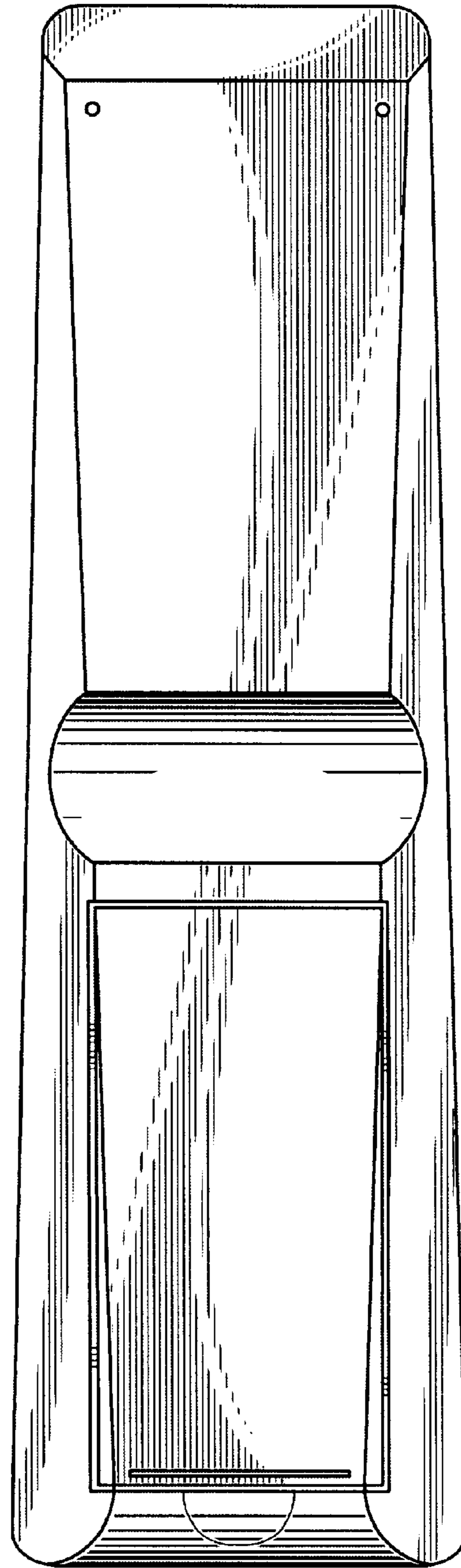




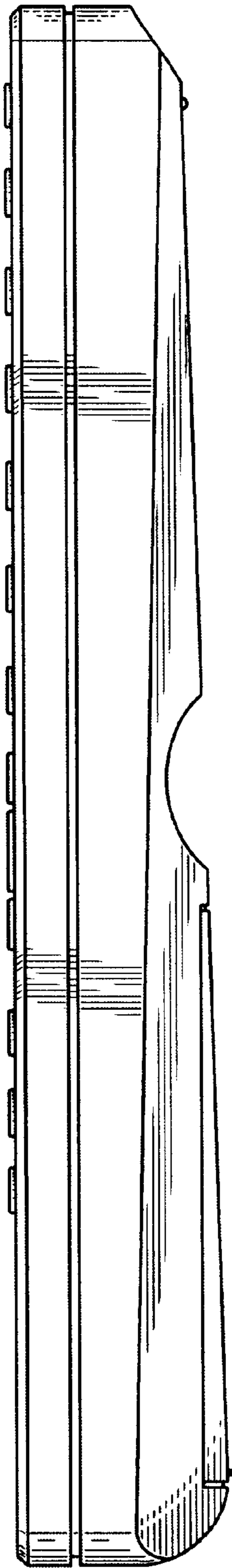
*Fig. 1*



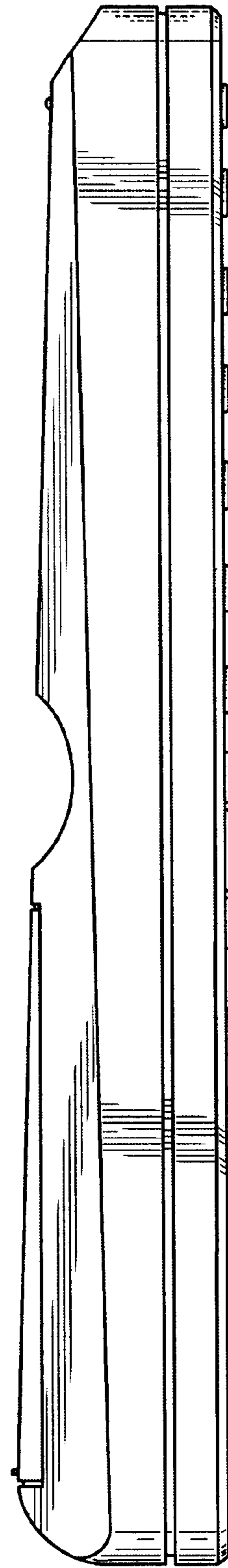
*Fig. 2*



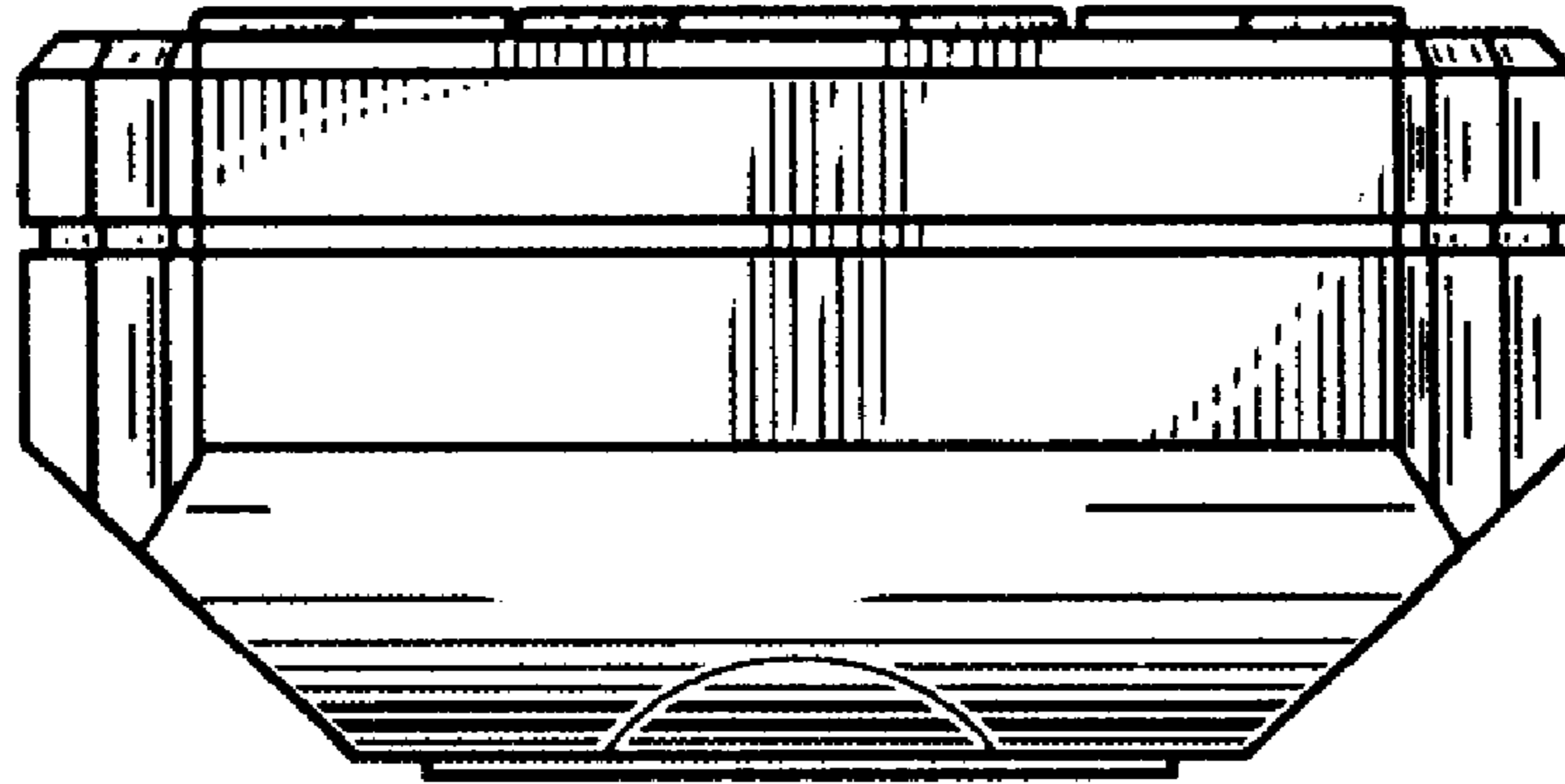
*Fig. 3*



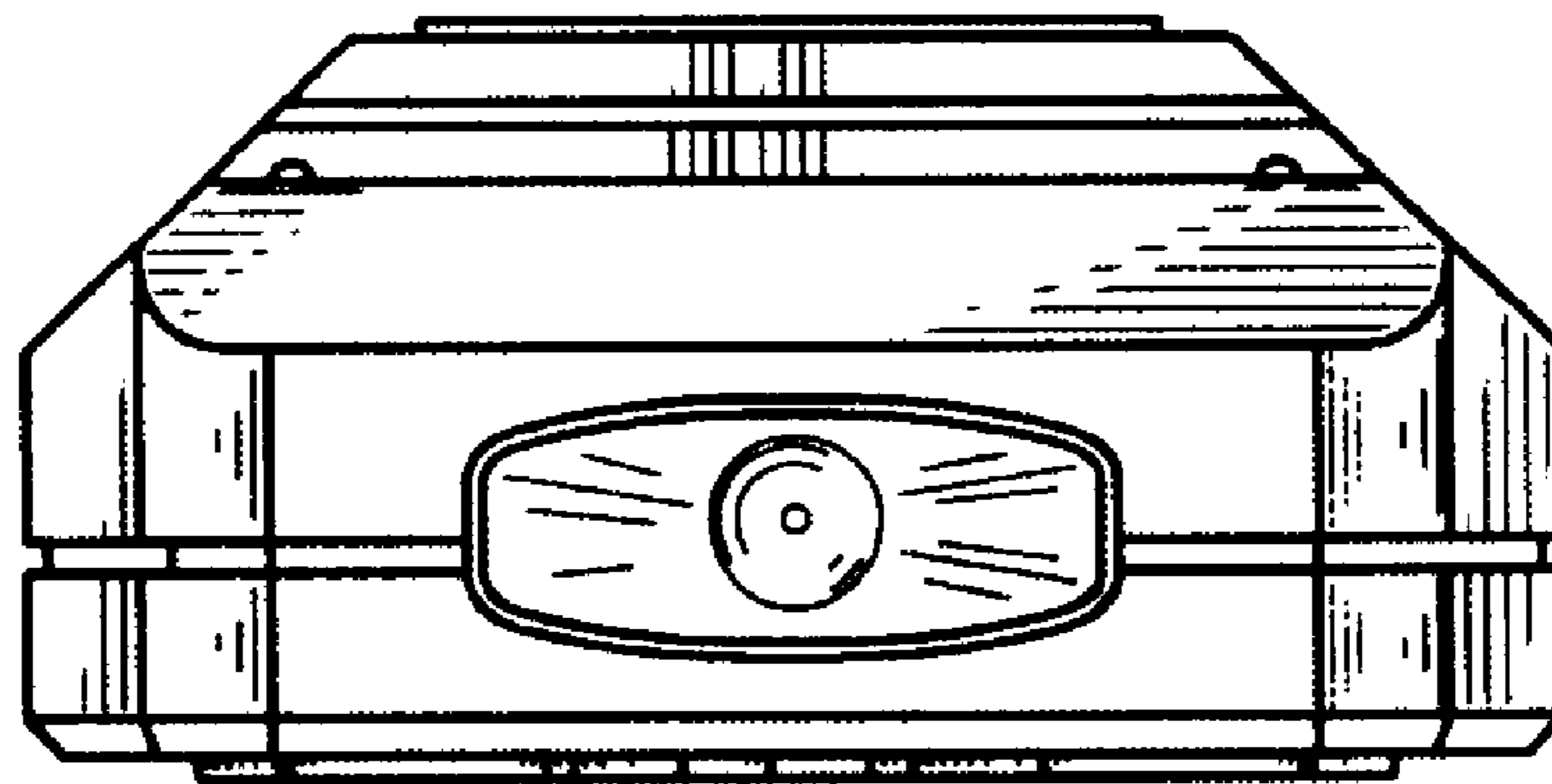
*Fig. 4*



*Fig. 5*



*Fig. 6*



*Fig. 7*