



US00D518030S

(12) **United States Design Patent**  
**Lin**

(10) **Patent No.:** **US D518,030 S**  
(45) **Date of Patent:** **\*\* Mar. 28, 2006**

(54) **REMOTE CONTROL UNIT FOR A  
MULTIMEDIA DEVICE REMOTE CONTROL  
SYSTEM**

D463,404 S \* 9/2002 Sadatsuki ..... D14/218  
D496,004 S \* 9/2004 Borsboom ..... D13/168  
D497,882 S \* 11/2004 Huang ..... D13/168

(75) Inventor: **John Lin**, Pacific Palisades, CA (US)

\* cited by examiner

(73) Assignee: **Ten Ventures Inc.**, Pacific Palisades,  
CA (US)

*Primary Examiner*—Louis S. Zarfaz

*Assistant Examiner*—John Windmuller

(\*\*) Term: **14 Years**

(74) *Attorney, Agent, or Firm*—Jeffer, Mangels, Butler &  
Marmaro LLP

(21) Appl. No.: **29/207,558**

(57) **CLAIM**

(22) Filed: **Jun. 14, 2004**

The ornamental design for a remote control unit for a  
multimedia device remote control system, as shown and  
described.

(51) **LOC (8) Cl.** ..... **14-03**

(52) **U.S. Cl.** ..... **D14/218**

(58) **Field of Classification Search** ..... D14/174,  
D14/217, 218, 137–139, 151, 191–193, 299,  
D14/167, 168; D13/168, 162–164; D21/512–517,  
D21/566; D10/104, 106; 455/352–355, 151.1–151.4,  
455/128, 347, 90.3; 348/114, 734  
See application file for complete search history.

**DESCRIPTION**

FIG. 1 is a bottom plan view of a remote control unit for a  
multimedia device remote control system showing my new  
design;

FIG. 2 is a rear elevational view thereof;

FIG. 3 is a top plan view thereof;

FIG. 4 is a front elevational view thereof; and,

FIG. 5 is a left side elevational view thereof, the right side  
elevational view being a mirror image thereof.

The broken lines shown in the figures form no part of the  
claimed design.

(56) **References Cited**

**U.S. PATENT DOCUMENTS**

D325,582 S \* 4/1992 Emmons et al. .... D14/218  
D382,307 S \* 8/1997 Sharpe et al. .... D21/405  
D418,837 S \* 1/2000 Ishii ..... D14/218

**1 Claim, 1 Drawing Sheet**

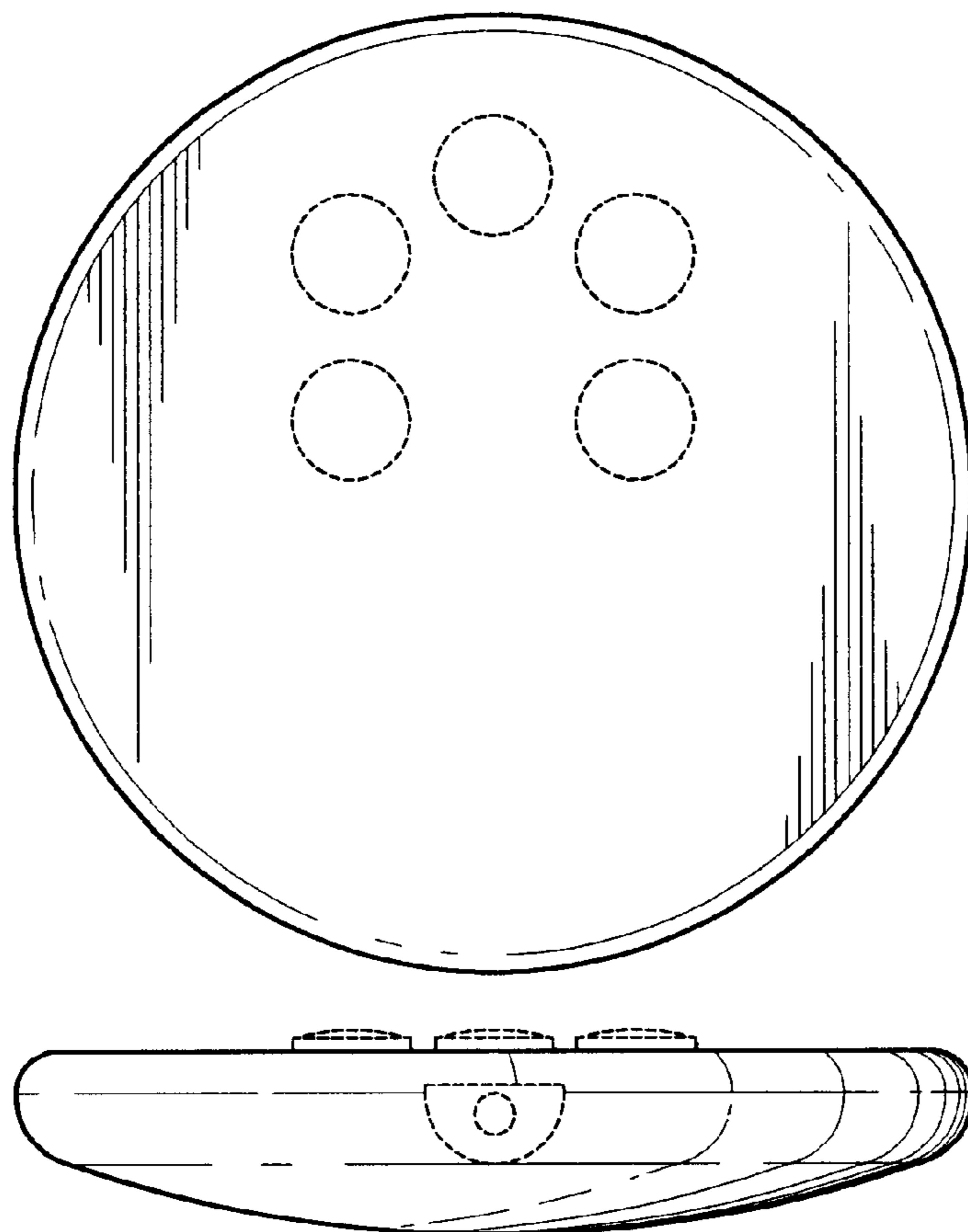


FIG. 1

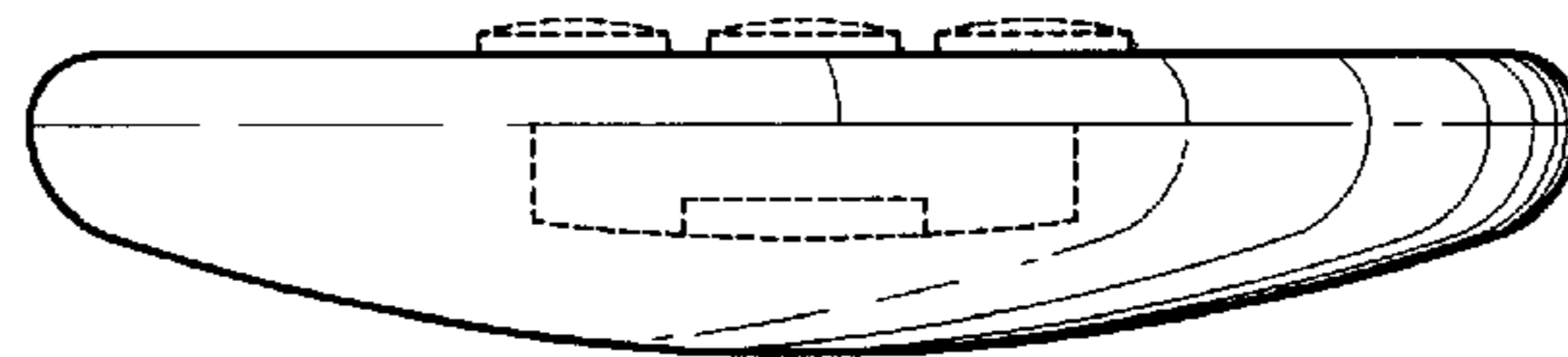
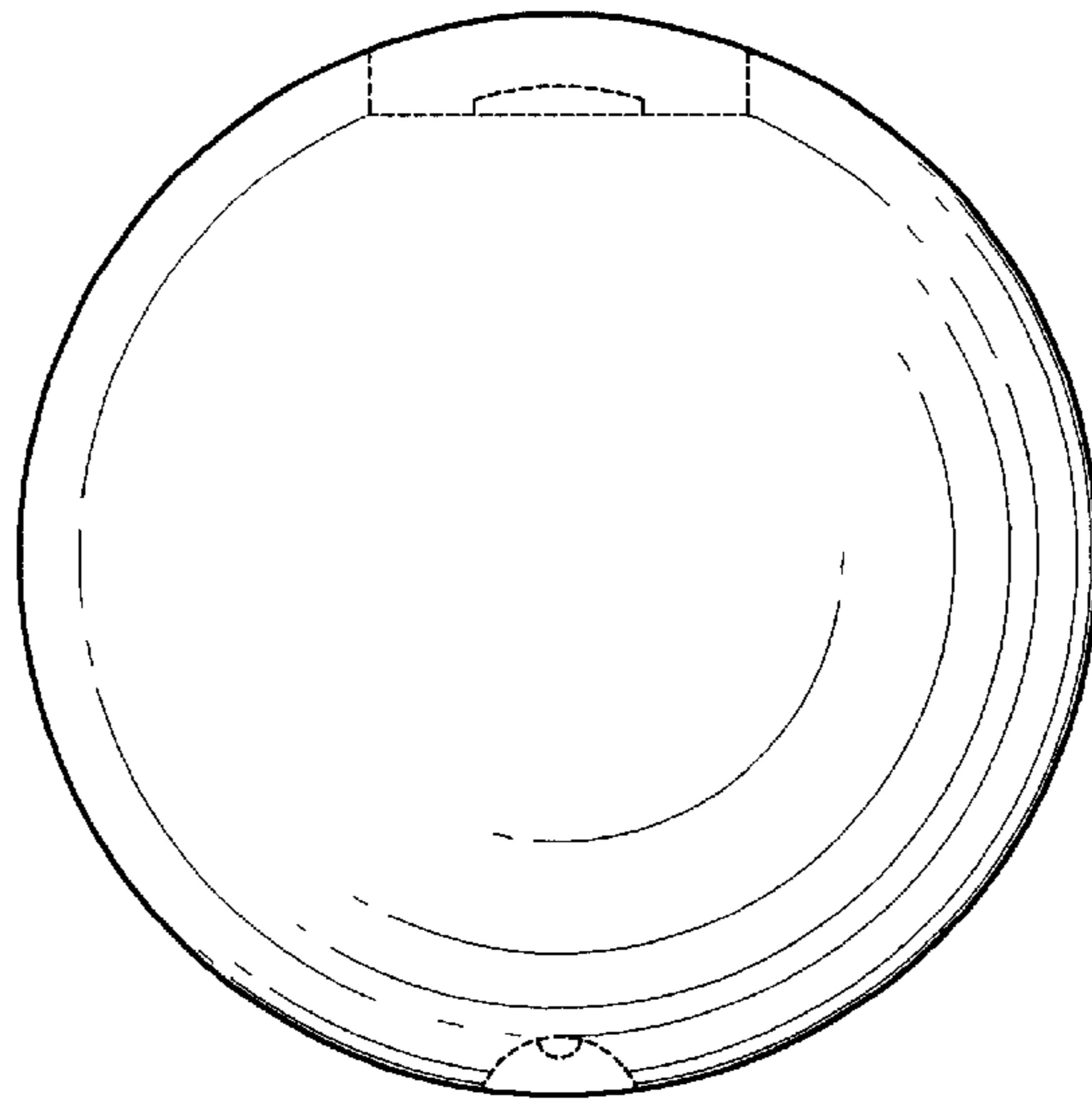


FIG. 2

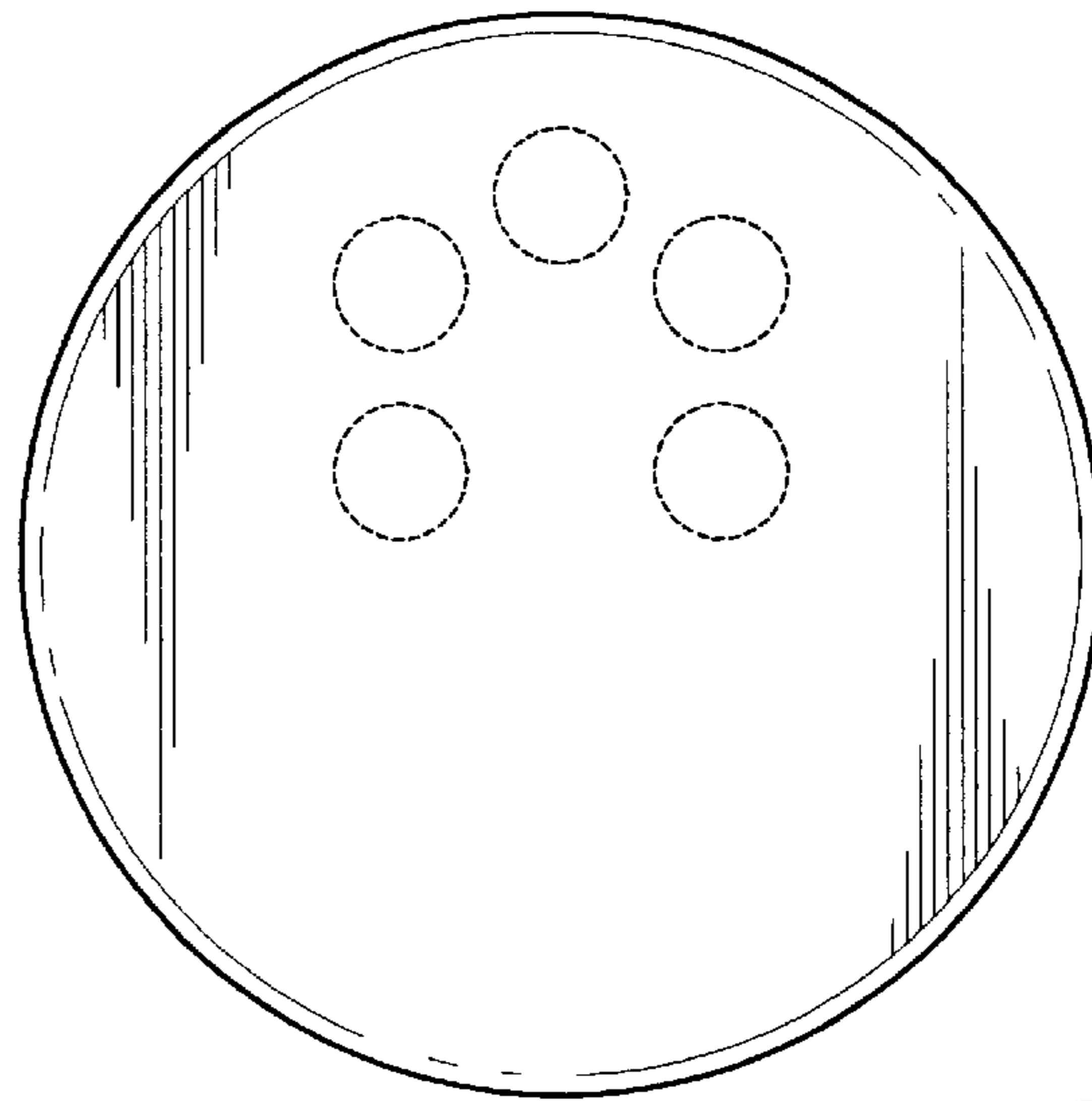


FIG. 3

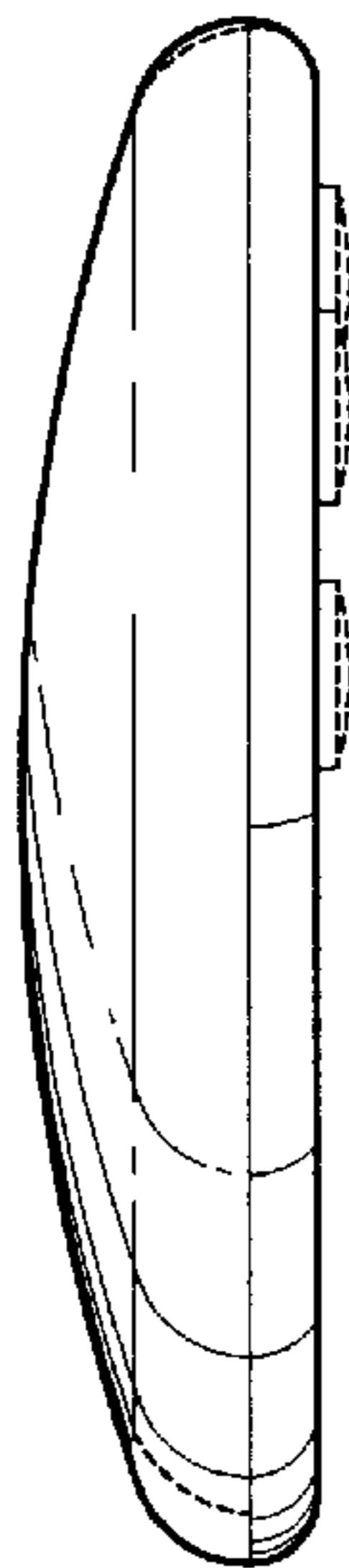


FIG. 5

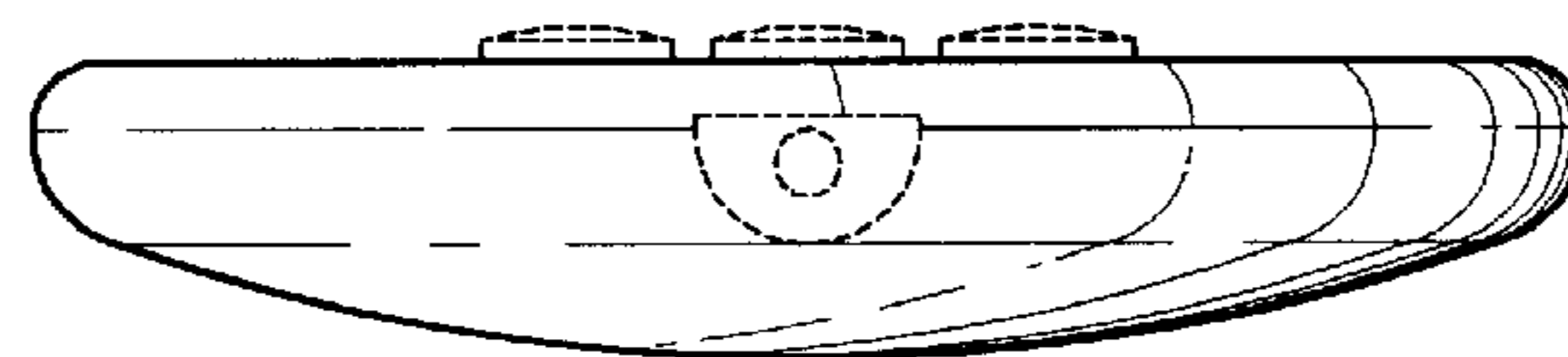


FIG. 4