



US00D518029S

(12) **United States Design Patent**
Tsang

(10) **Patent No.:** **US D518,029 S**

(45) **Date of Patent:** **** Mar. 28, 2006**

(54) **SPEAKER**

(75) Inventor: **Kwong Chit Tsang**, Hong Kong (HK)

(73) Assignee: **Beans Electronics Ltd.**, Hong Kong (HK)

(**) Term: **14 Years**

(21) Appl. No.: **29/213,410**

(22) Filed: **Sep. 15, 2004**

(51) **LOC (8) Cl.** **14-01**

(52) **U.S. Cl.** **D14/216**

(58) **Field of Classification Search** D14/204,
D14/207, 209-216, 356; 181/143-144, 147-148,
181/150, 157, 198-199, 151, 153; 381/300-302,
381/306, 333, 345, 361-364, 386-388, 332,
381/336

See application file for complete search history.

(56) **References Cited**

U.S. PATENT DOCUMENTS

4,756,382 A * 7/1988 Hudson, III 181/156
D305,893 S * 2/1990 Maloney D14/215
D319,243 S * 8/1991 Yamakawa D14/216

5,319,164 A * 6/1994 Shen 181/150
D472,543 S * 4/2003 Shintani D14/211
D480,069 S * 9/2003 Carbone et al. D14/216
D484,492 S * 12/2003 Welker et al. D14/216

* cited by examiner

Primary Examiner—Nanda Bondade

(74) *Attorney, Agent, or Firm*—Merchant & Gould P.C.

(57) **CLAIM**

The ornamental design for a speaker, as shown and described.

DESCRIPTION

FIG. 1 is a rear perspective view of a speaker showing my new design;

FIG. 2 is a front view thereof;

FIG. 3 is a rear view thereof;

FIG. 4 is a left side view thereof;

FIG. 5 is a right side view thereof;

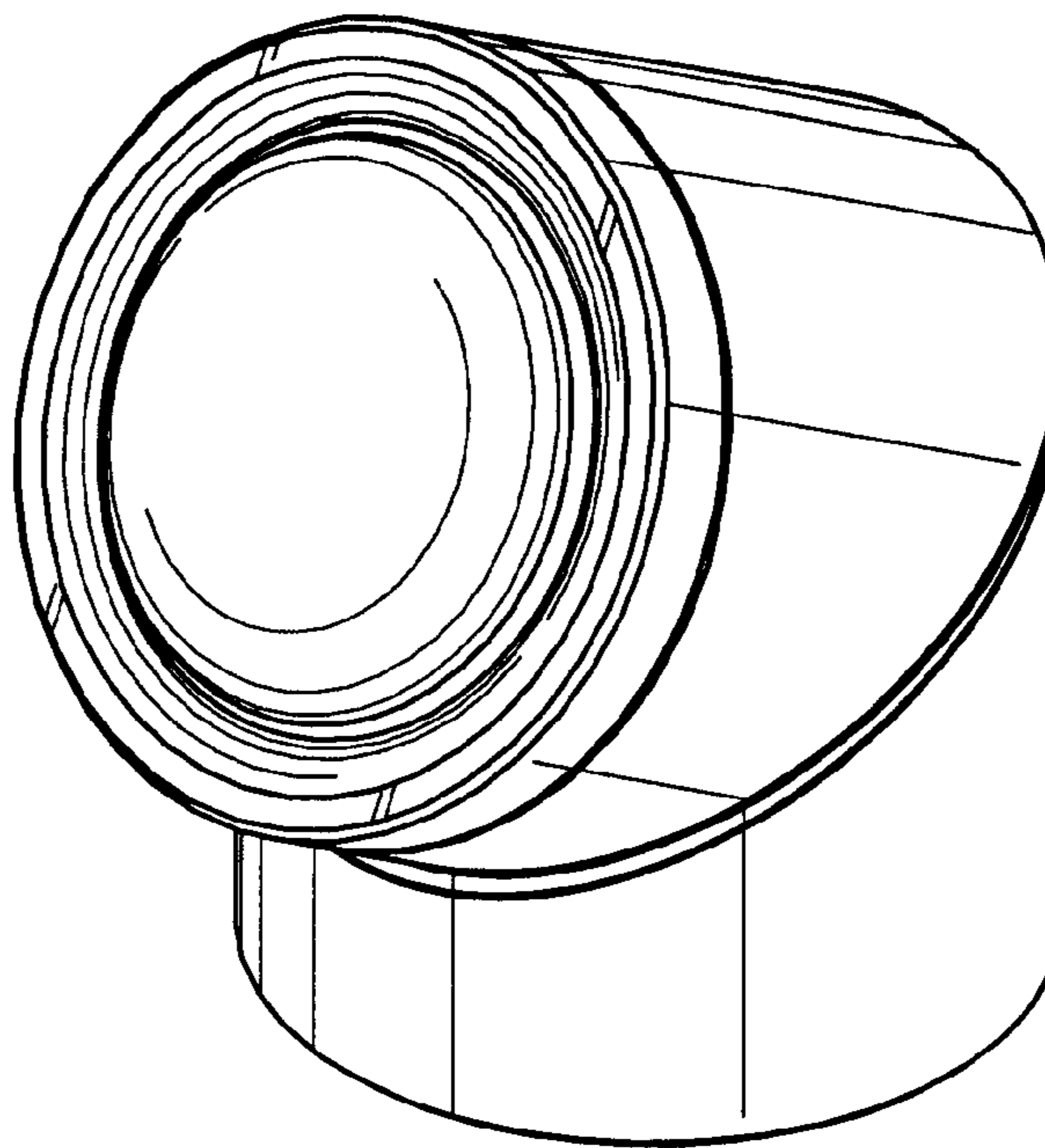
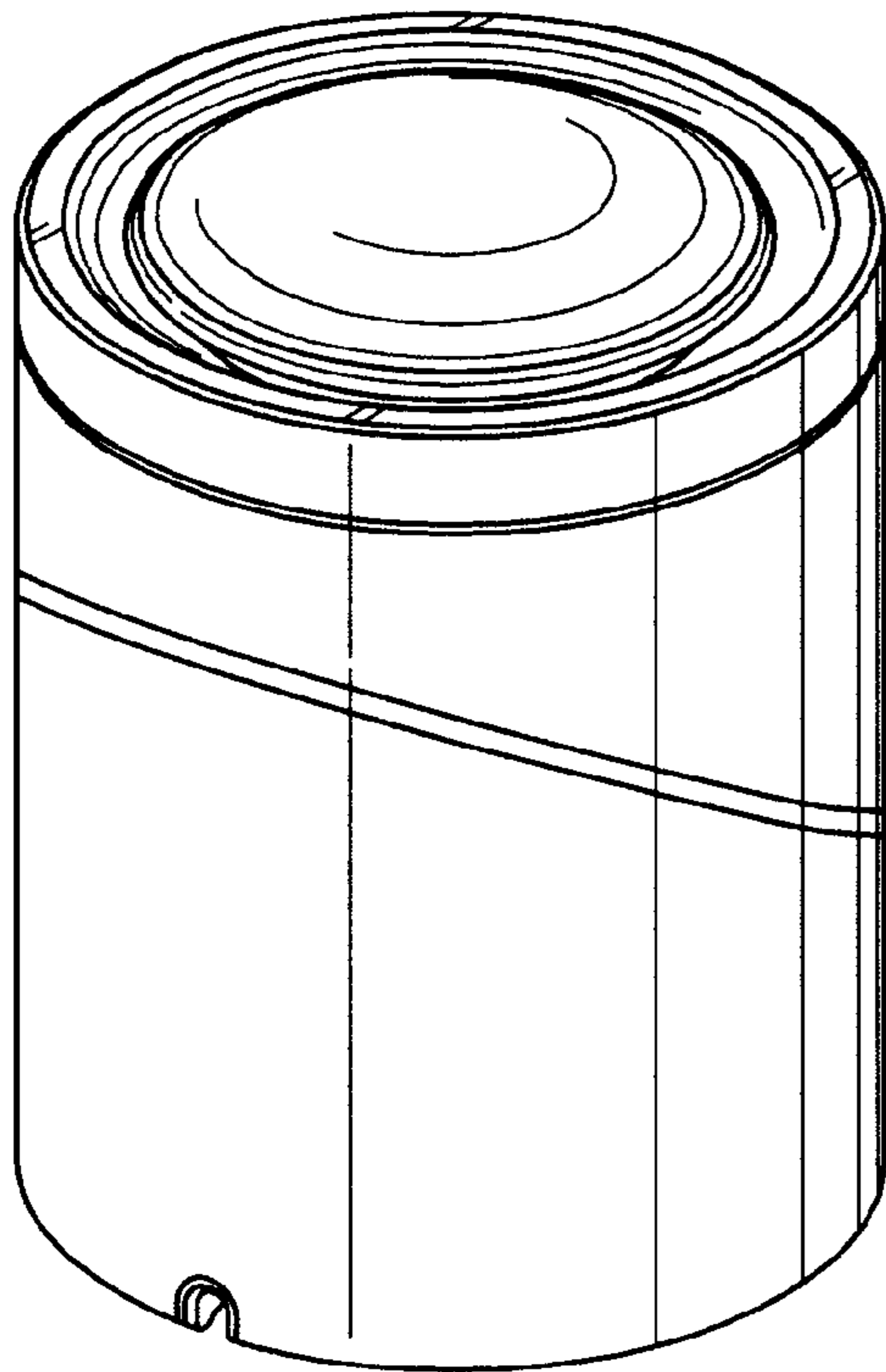
FIG. 6 is a top view thereof;

FIG. 7 is a bottom view thereof;

FIG. 8 is a front perspective view in alternative position thereof; and,

FIG. 9 is a rear perspective view in alternative position.

1 Claim, 5 Drawing Sheets



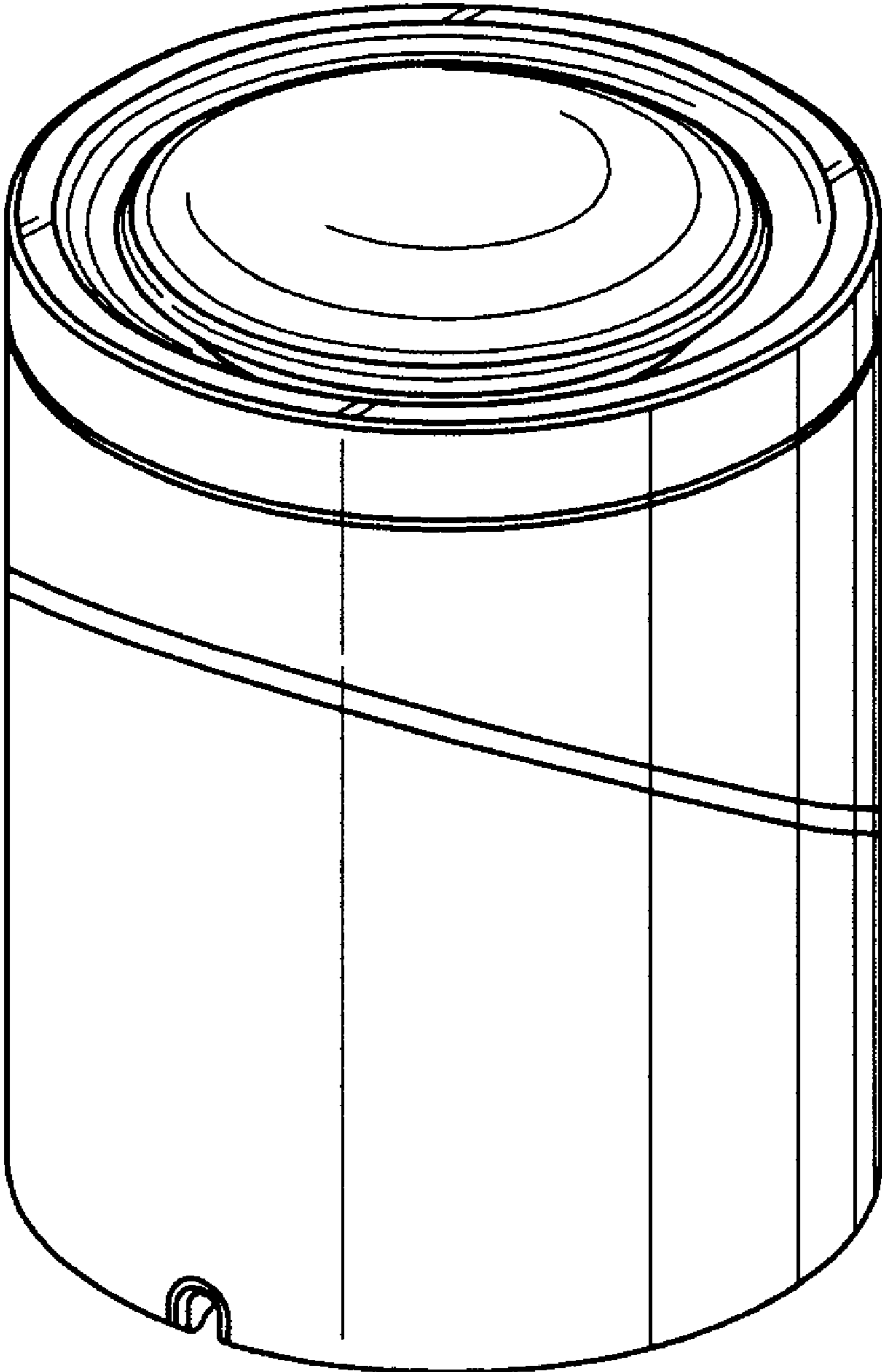


FIG. 1

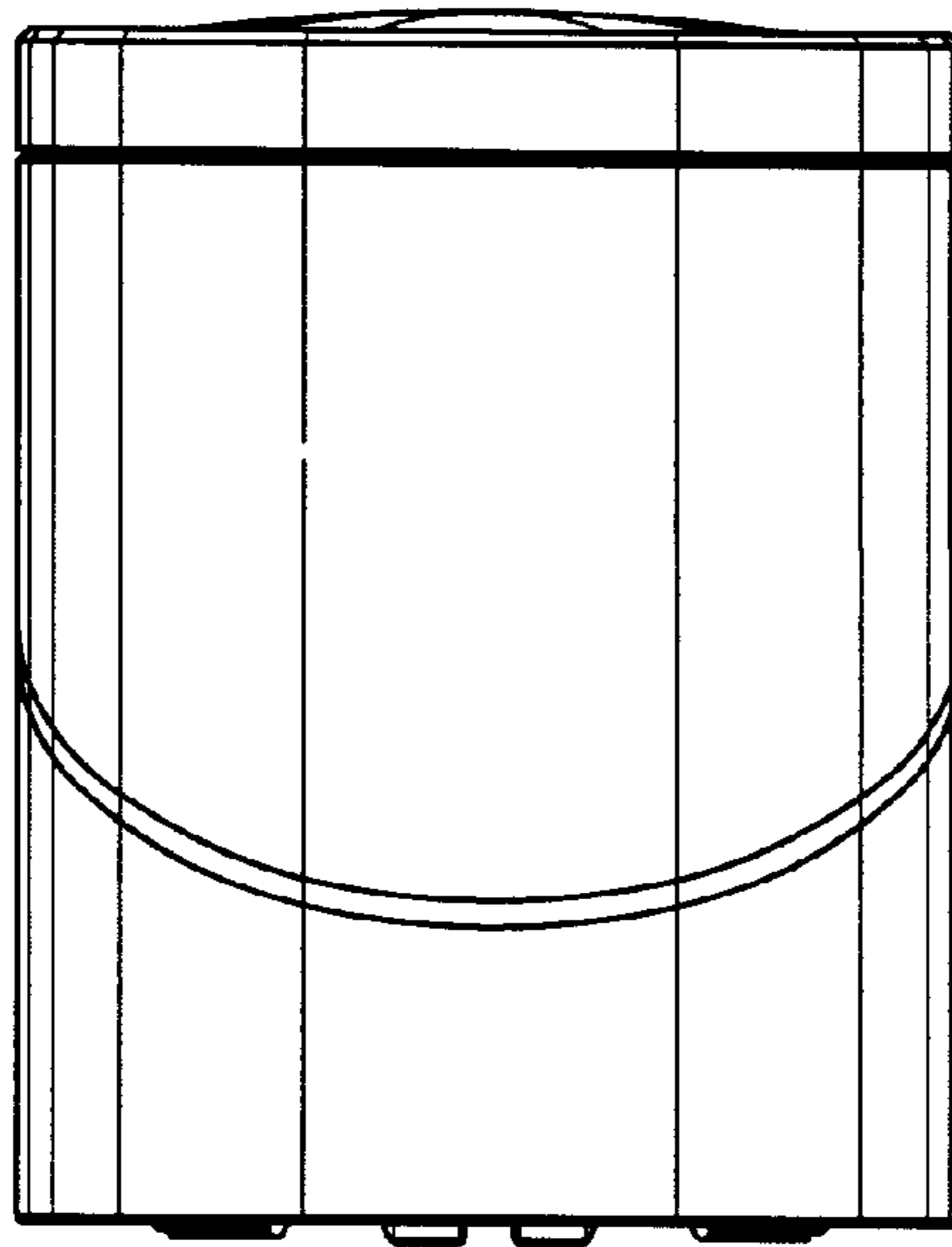


FIG. 2

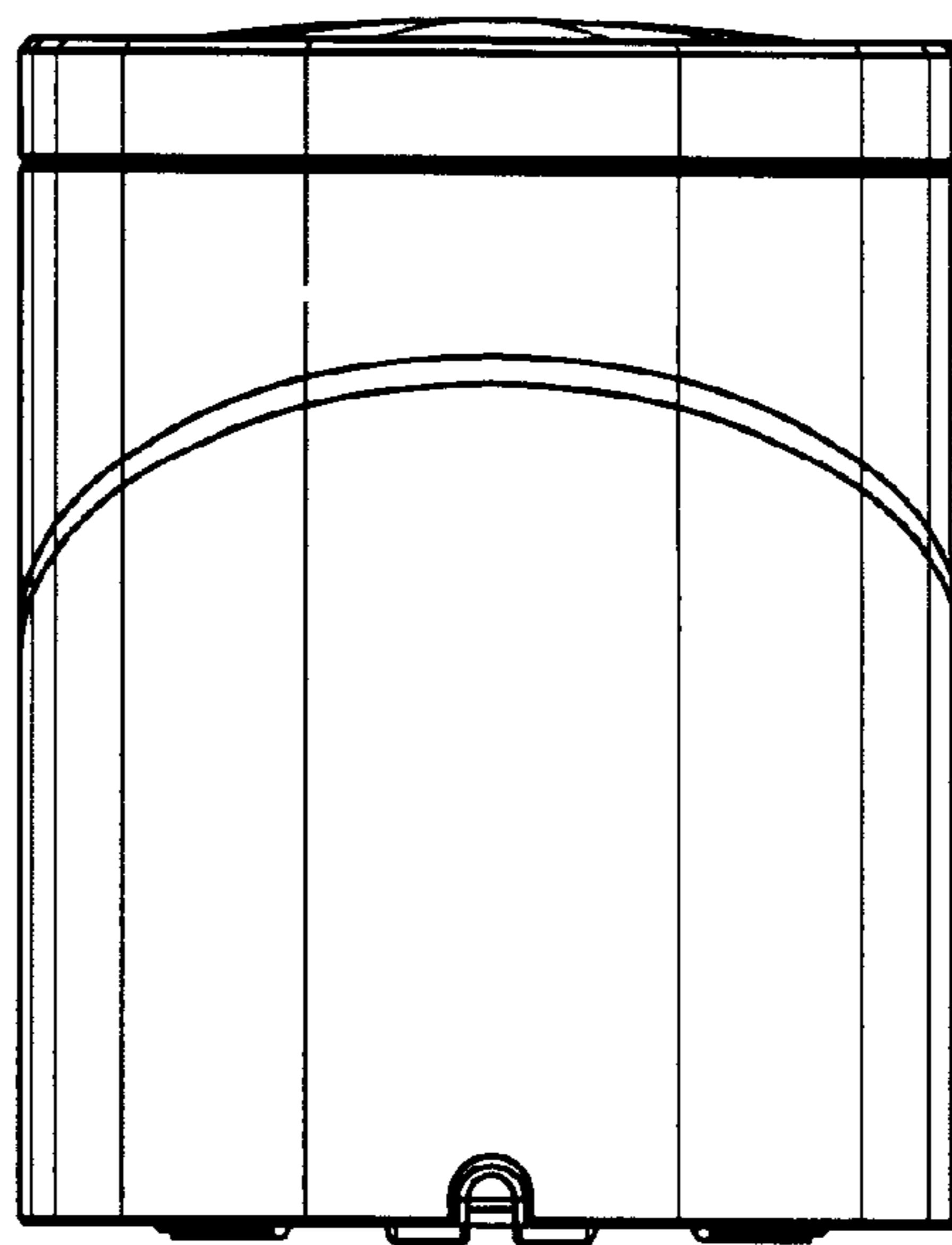


FIG. 3

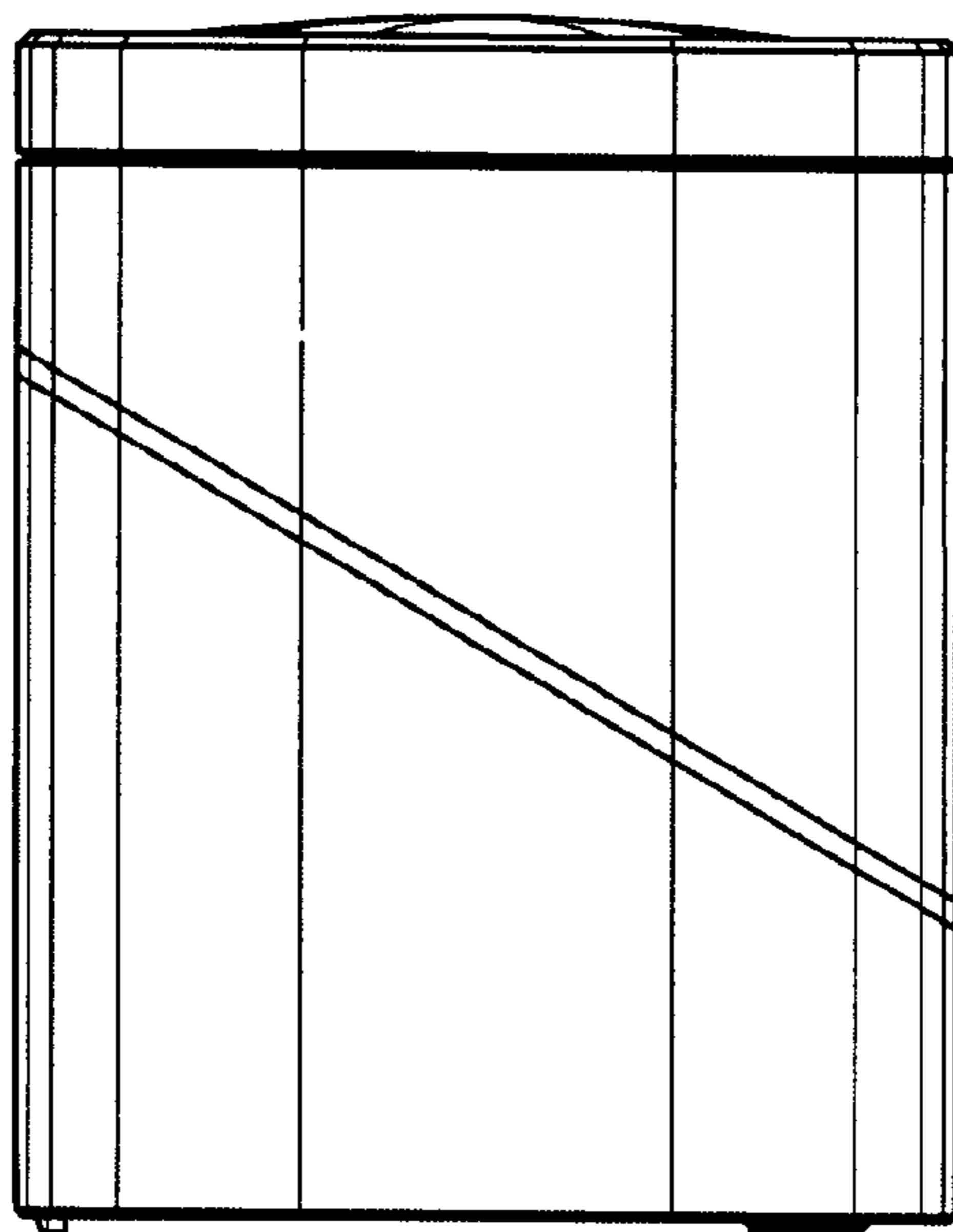


FIG. 4

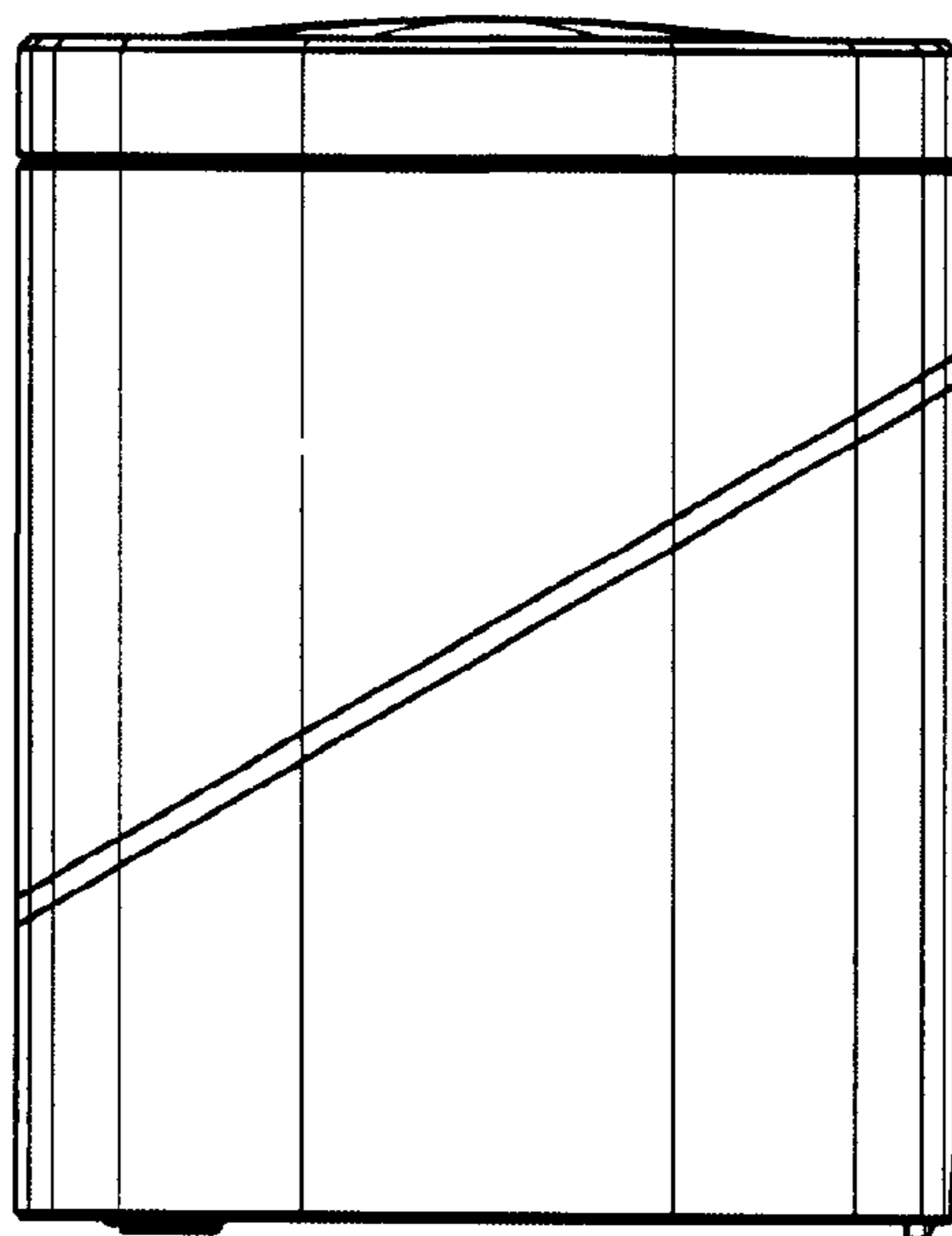


FIG. 5

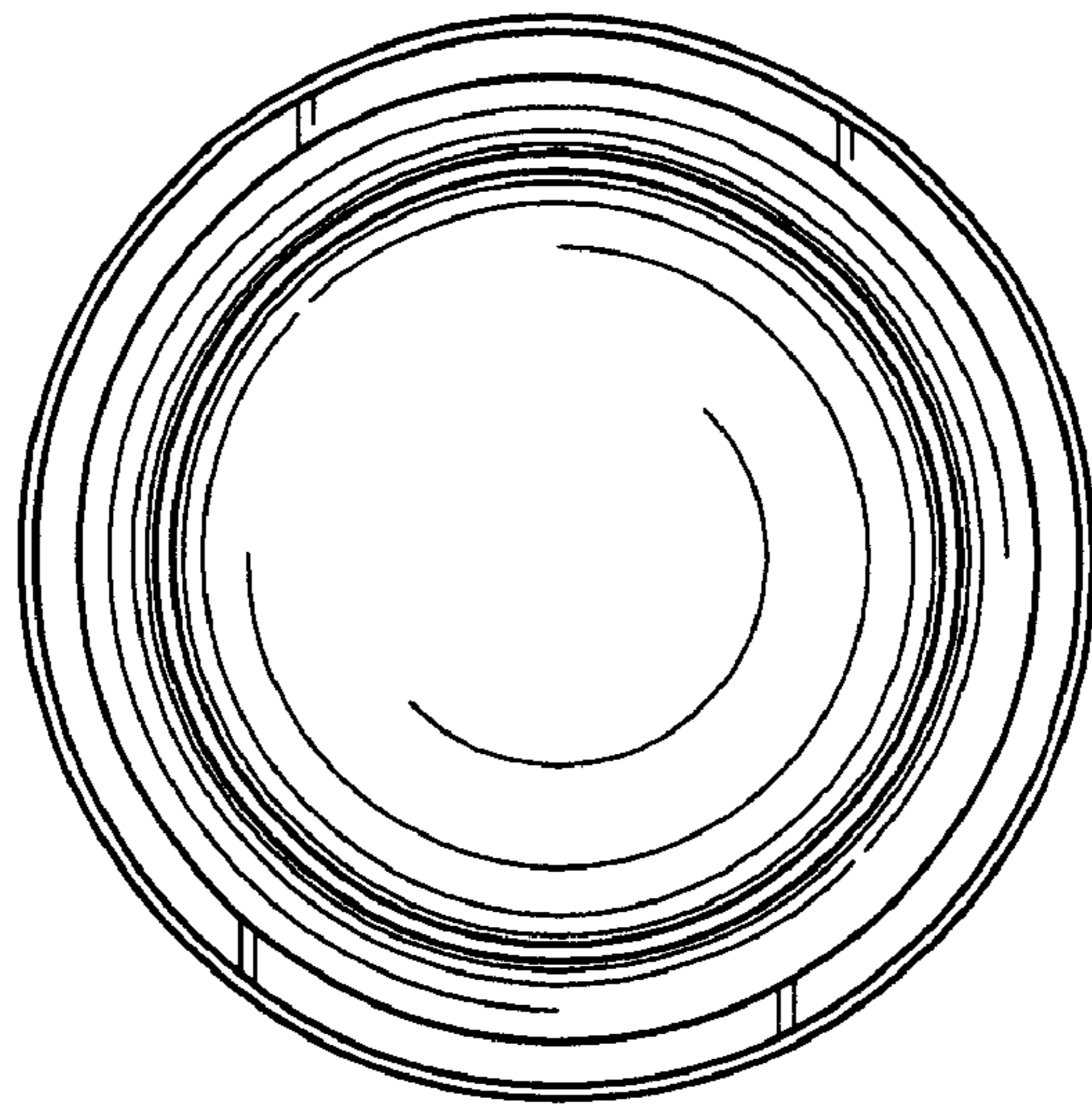


FIG. 6

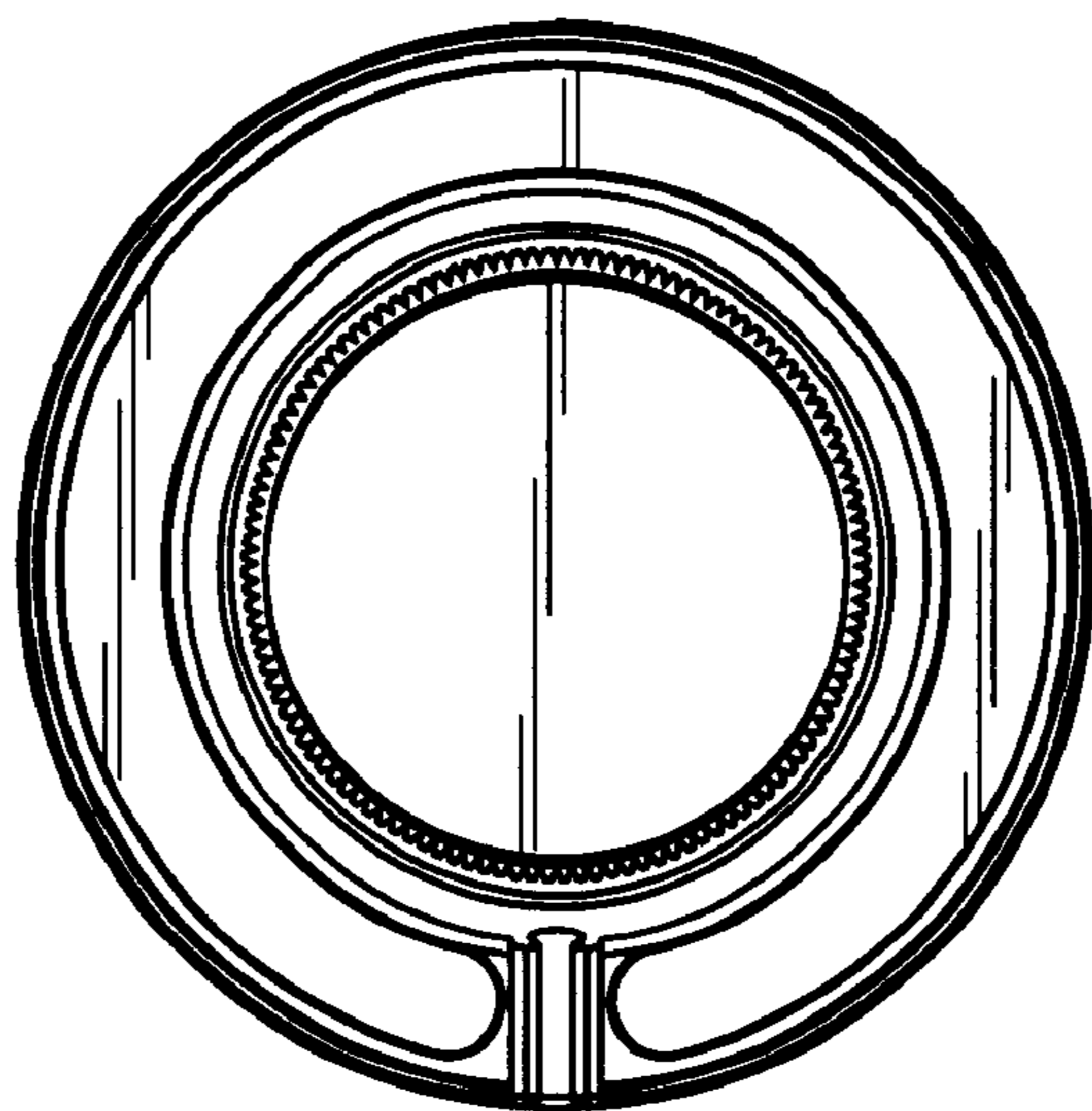


FIG. 7

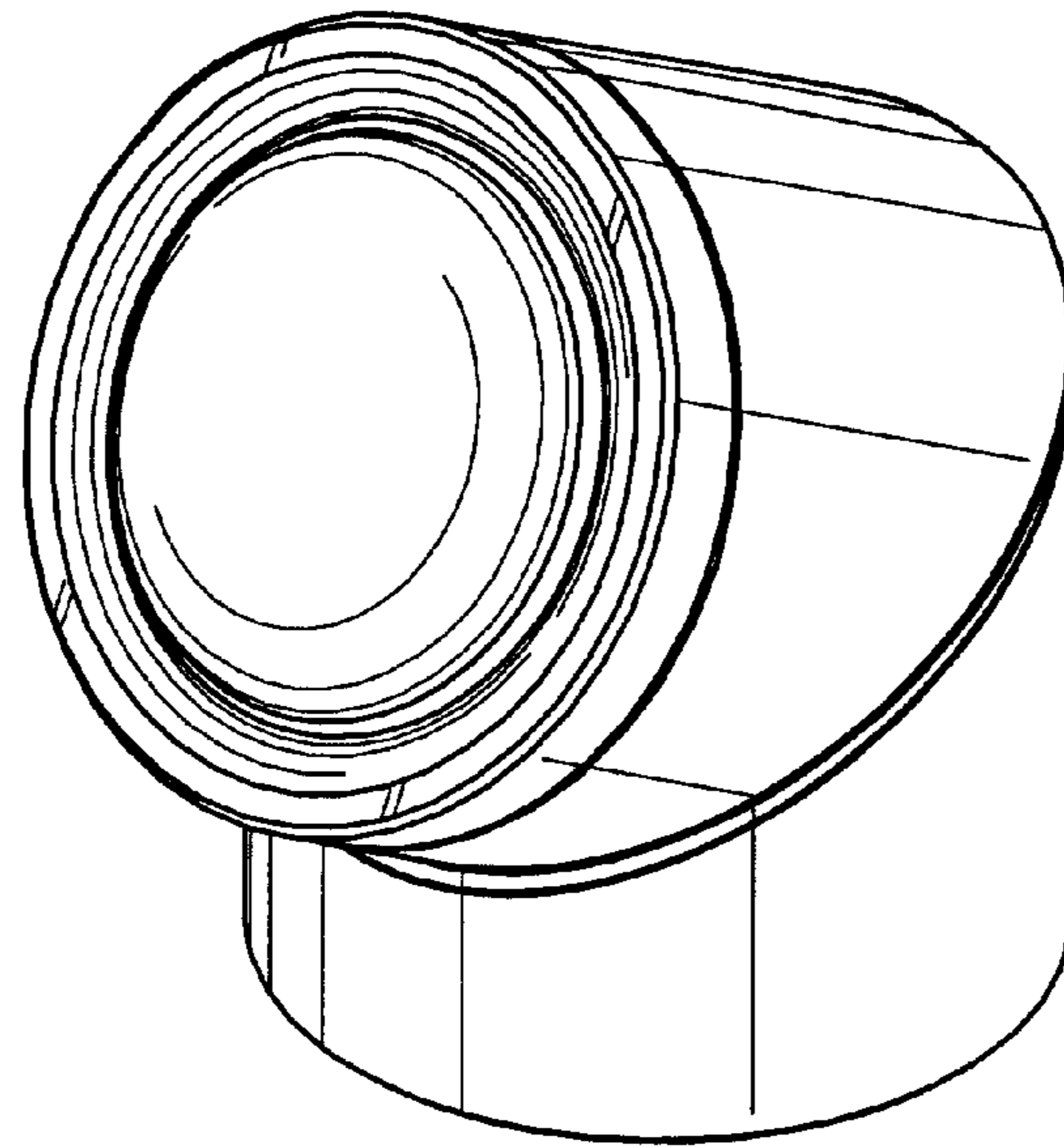


FIG. 8

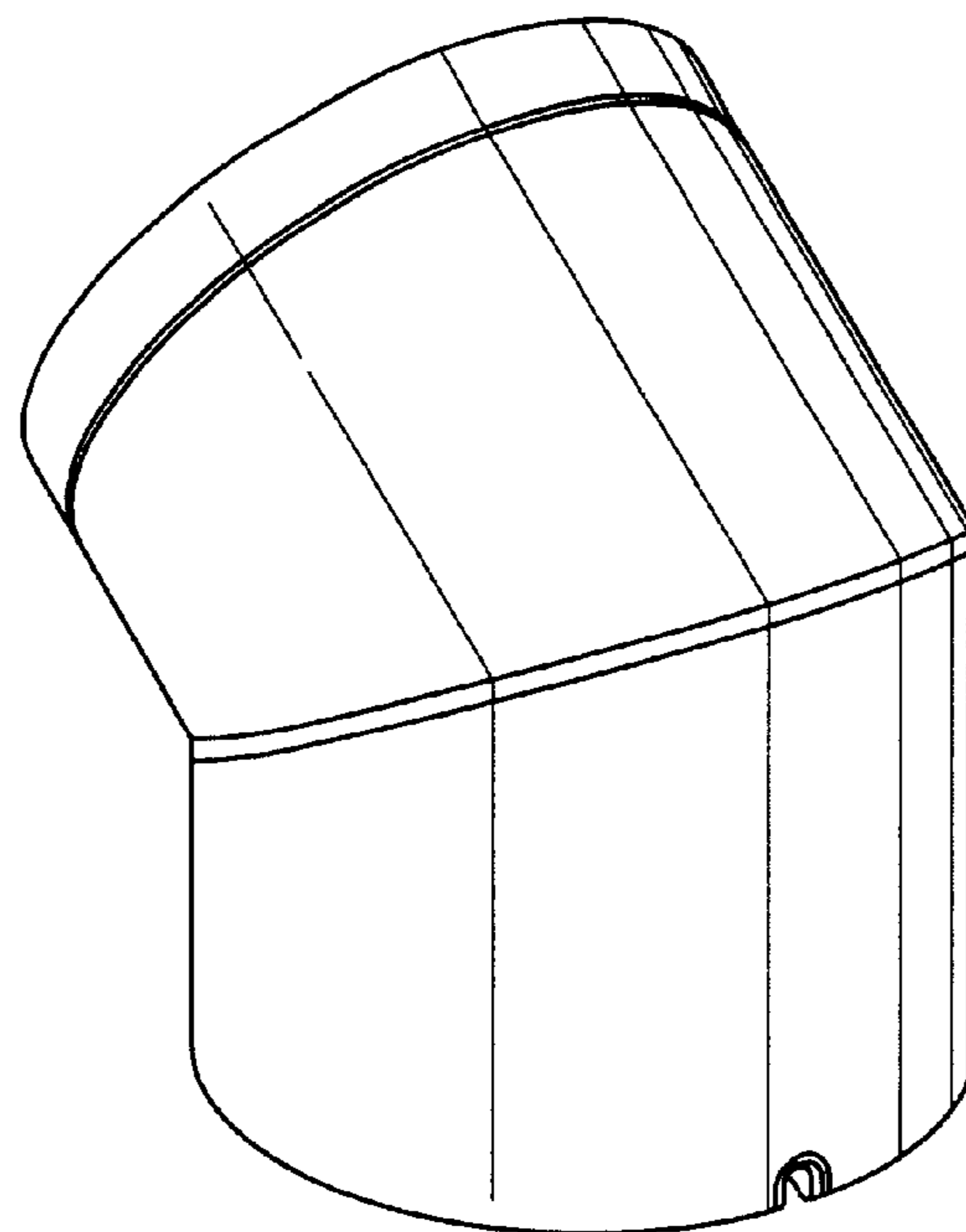


FIG. 9