



US00D518028S

(12) **United States Design Patent**
Halsall et al.

(10) **Patent No.:** **US D518,028 S**

(45) **Date of Patent:** **** Mar. 28, 2006**

(54) **LOUDSPEAKER**

(75) Inventors: **Stephen Halsall**, Tonbridge Wells
(GB); **Philip Jeffrey Anthony**, Ashford
(GB)

(73) Assignee: **GP Acoustic (U.K.) Ltd.**, Crawley
(GB)

(**) **Term:** **14 Years**

(21) Appl. No.: **29/205,361**

(22) Filed: **May 13, 2004**

(30) **Foreign Application Priority Data**

May 7, 2004 (GB) 3017219

(51) **LOC (8) Cl.** **14-01**

(52) **U.S. Cl.** **D14/216**

(58) **Field of Classification Search** D14/204,
D14/207, 209–216, 356; 181/143–144, 147–148,
181/150, 157, 198–199, 151, 153; 381/300–302,
381/306, 333, 345, 361–364, 386–388, 332,
381/336

See application file for complete search history.

(56) **References Cited**

U.S. PATENT DOCUMENTS

2,949,163 A * 8/1960 Friedman 181/199

5,033,093 A * 7/1991 Tardo 181/157
D356,568 S * 3/1995 Ichikawa D14/209
6,504,938 B1 * 1/2003 Anderson et al. 381/335
D475,992 S * 6/2003 Tomotaro D14/216

* cited by examiner

Primary Examiner—Nanda Bondade

(74) *Attorney, Agent, or Firm*—Kenneth L. Sherman, Esq.;
Myers, Dawes, Andras & Sherman, LLP

(57) **CLAIM**

We claim the ornamental design for a loudspeaker, substantially as shown and described.

DESCRIPTION

FIG. 1 is a rear perspective view of loudspeaker showing our new design;

FIG. 2 is a plan view thereof;

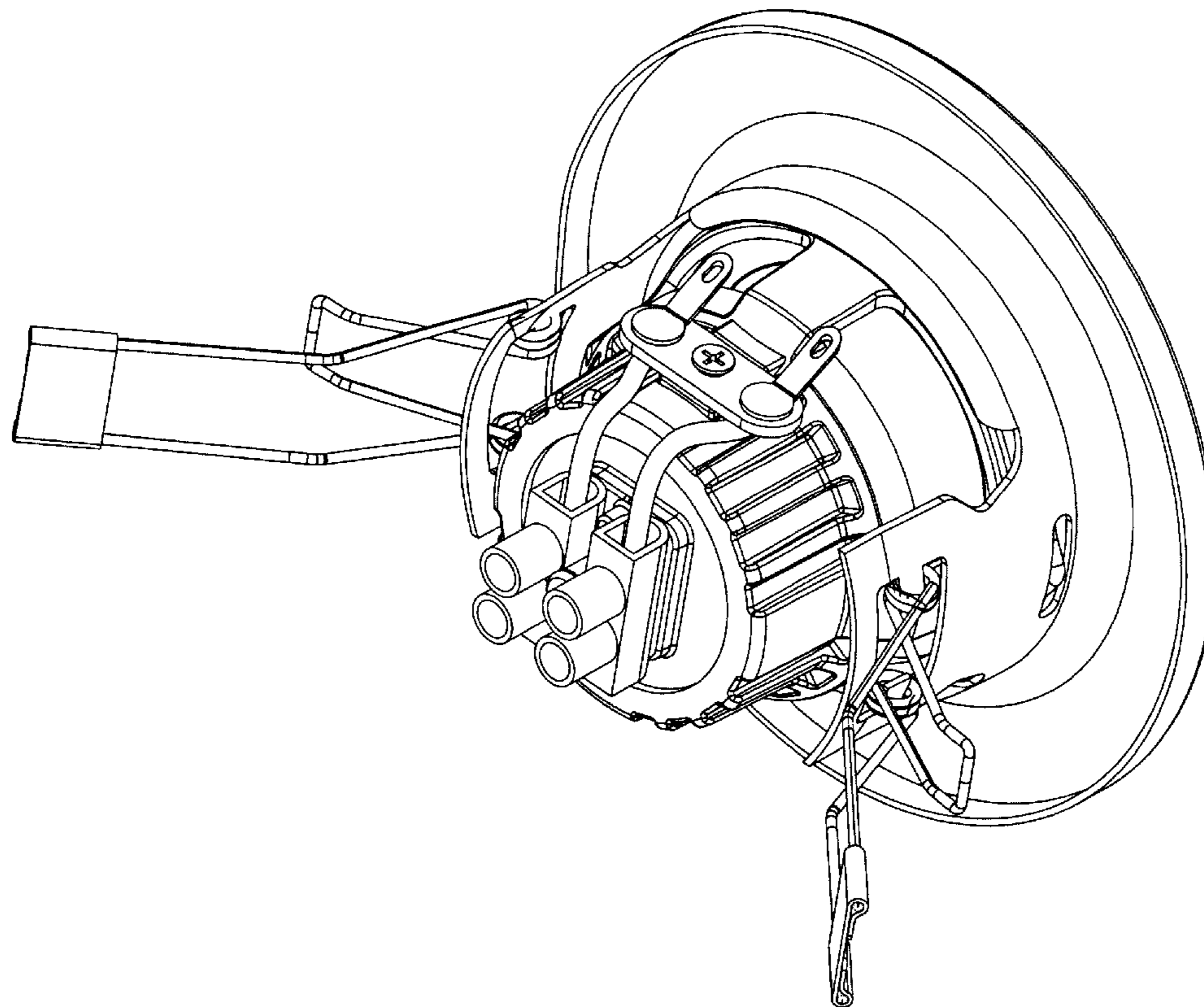
FIG. 3 is a front perspective view thereof;

FIG. 4 is a rear view thereof;

FIG. 5 is a side view thereof; and,

FIG. 6 is a front view thereof.

1 Claim, 6 Drawing Sheets



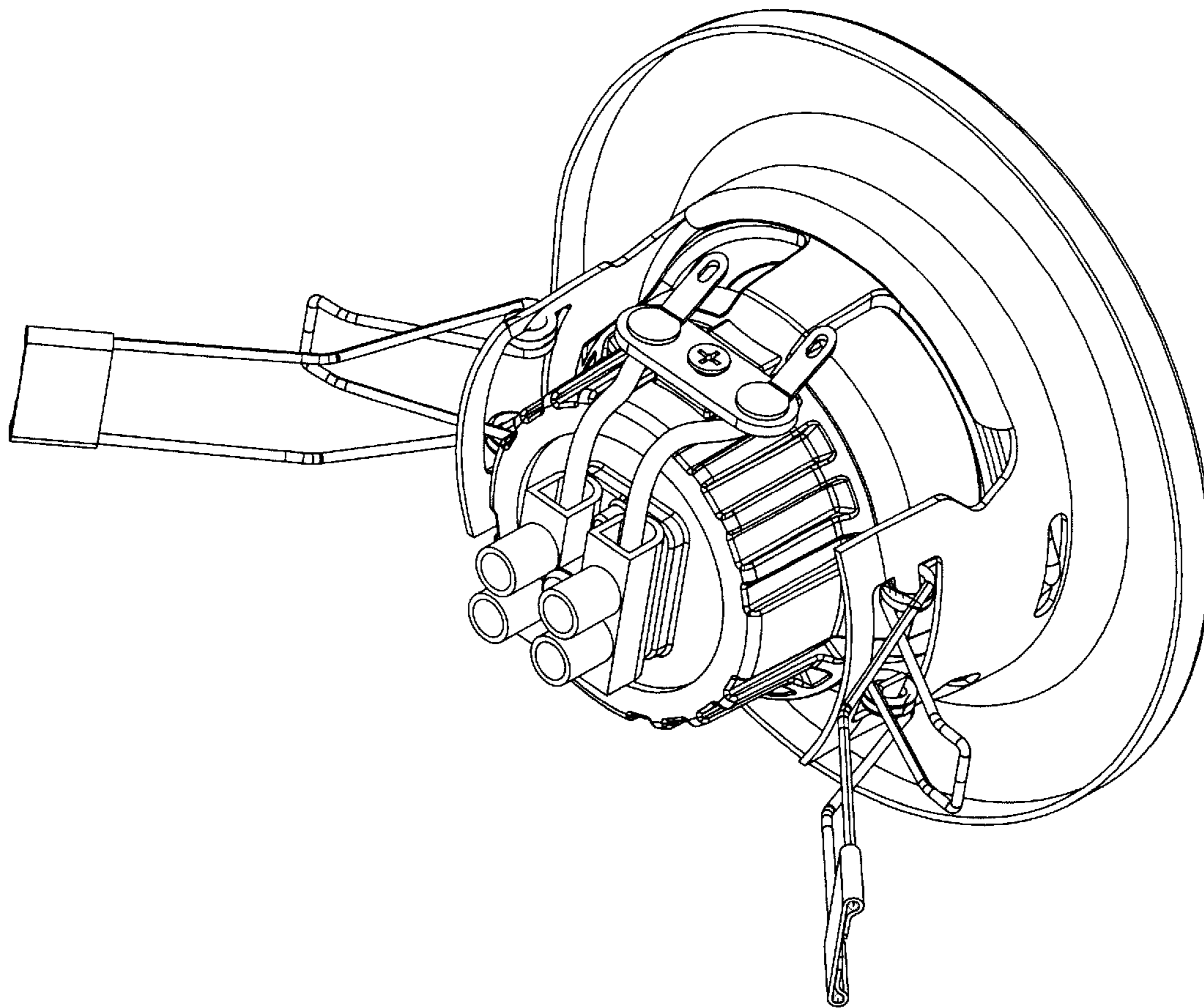


FIG. 1

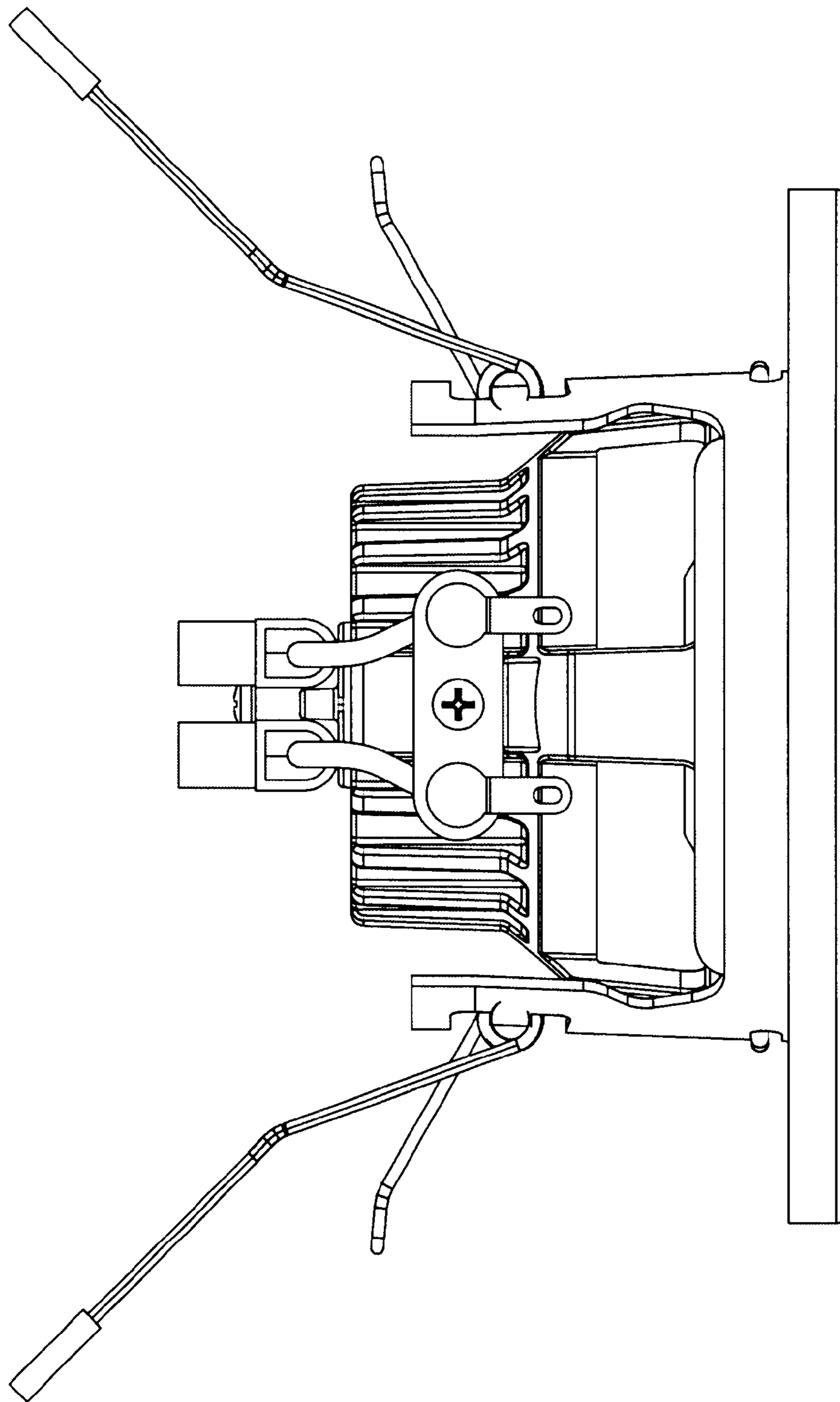


FIG. 2

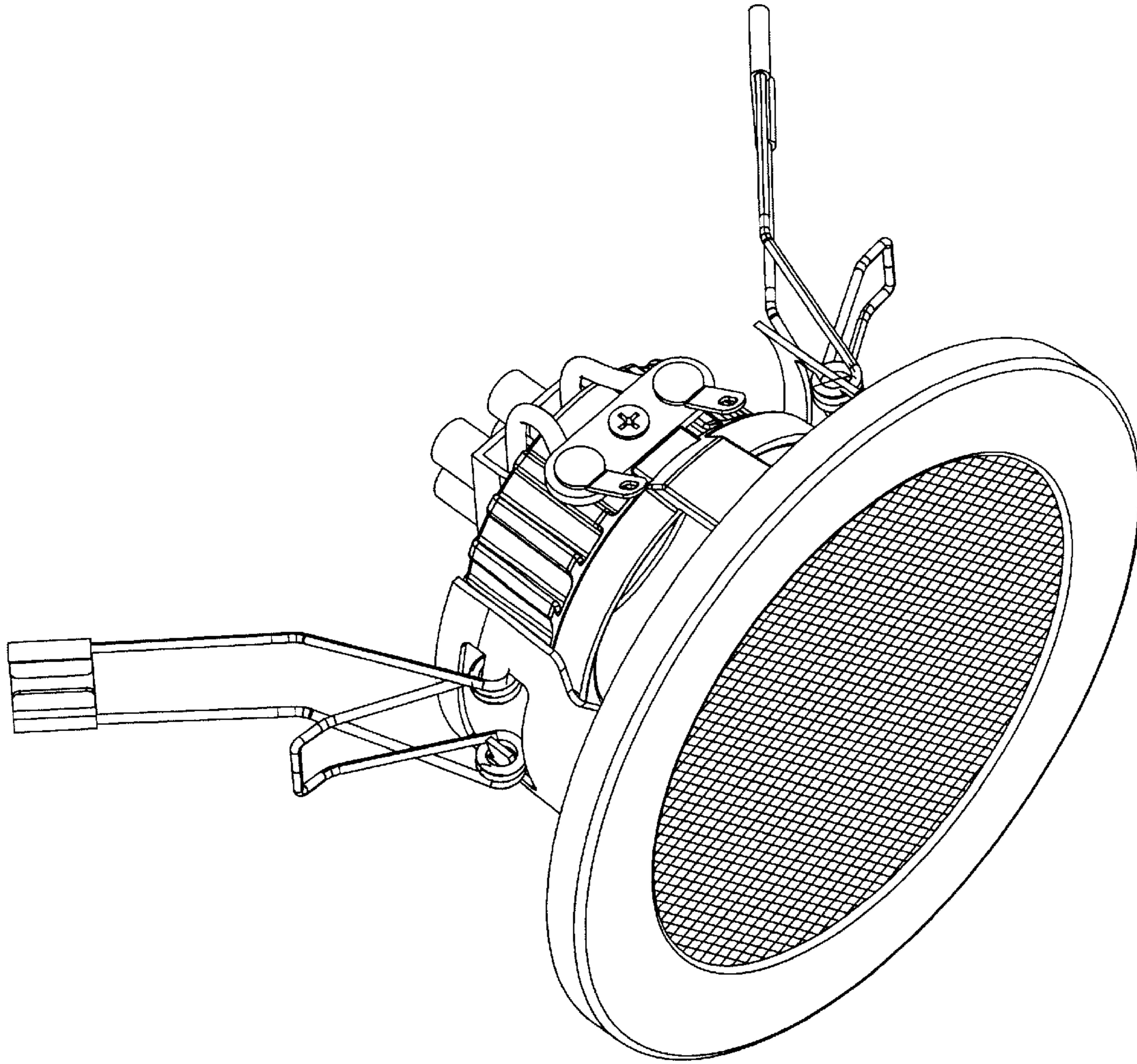


FIG. 3

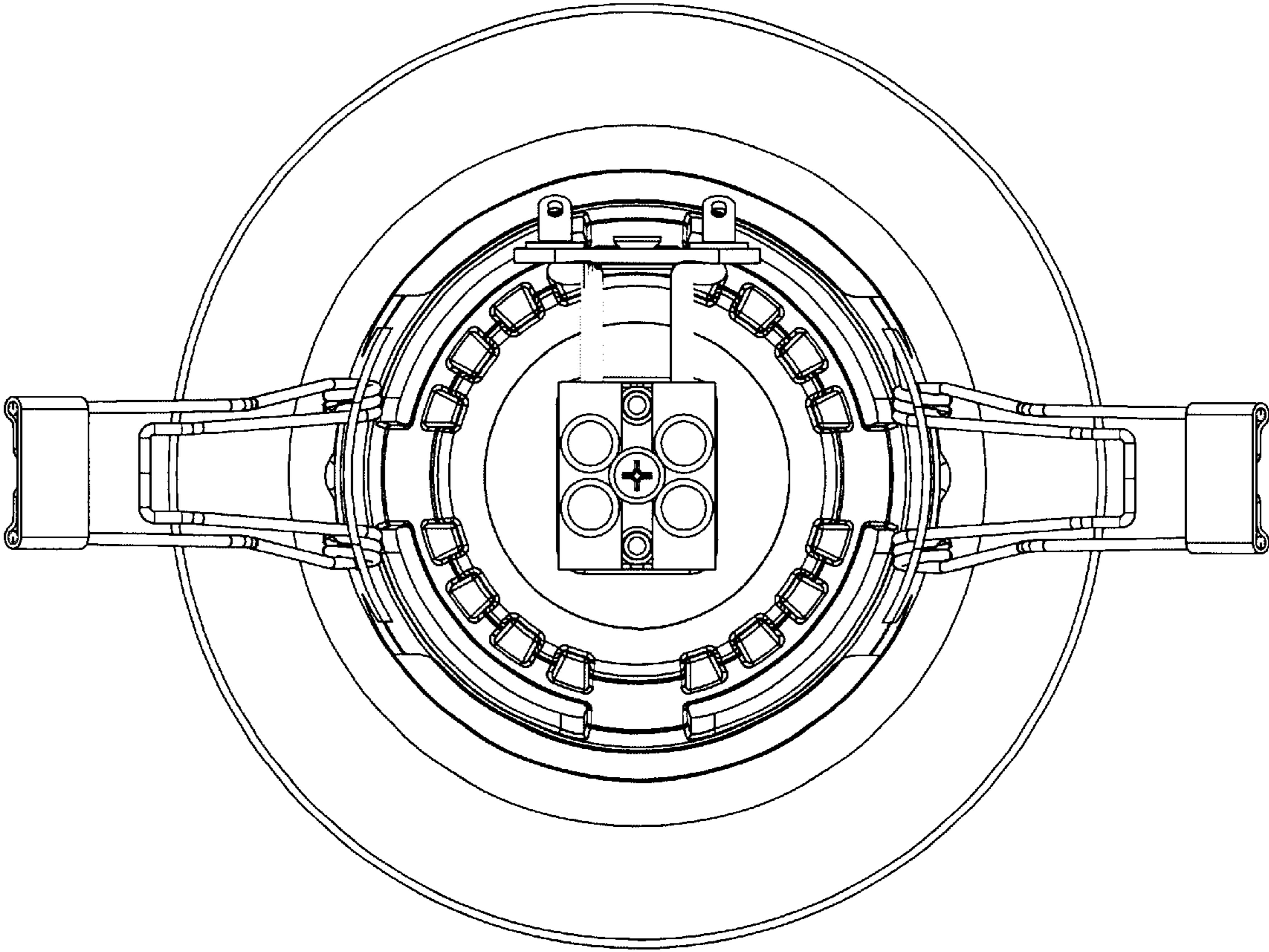


FIG. 4

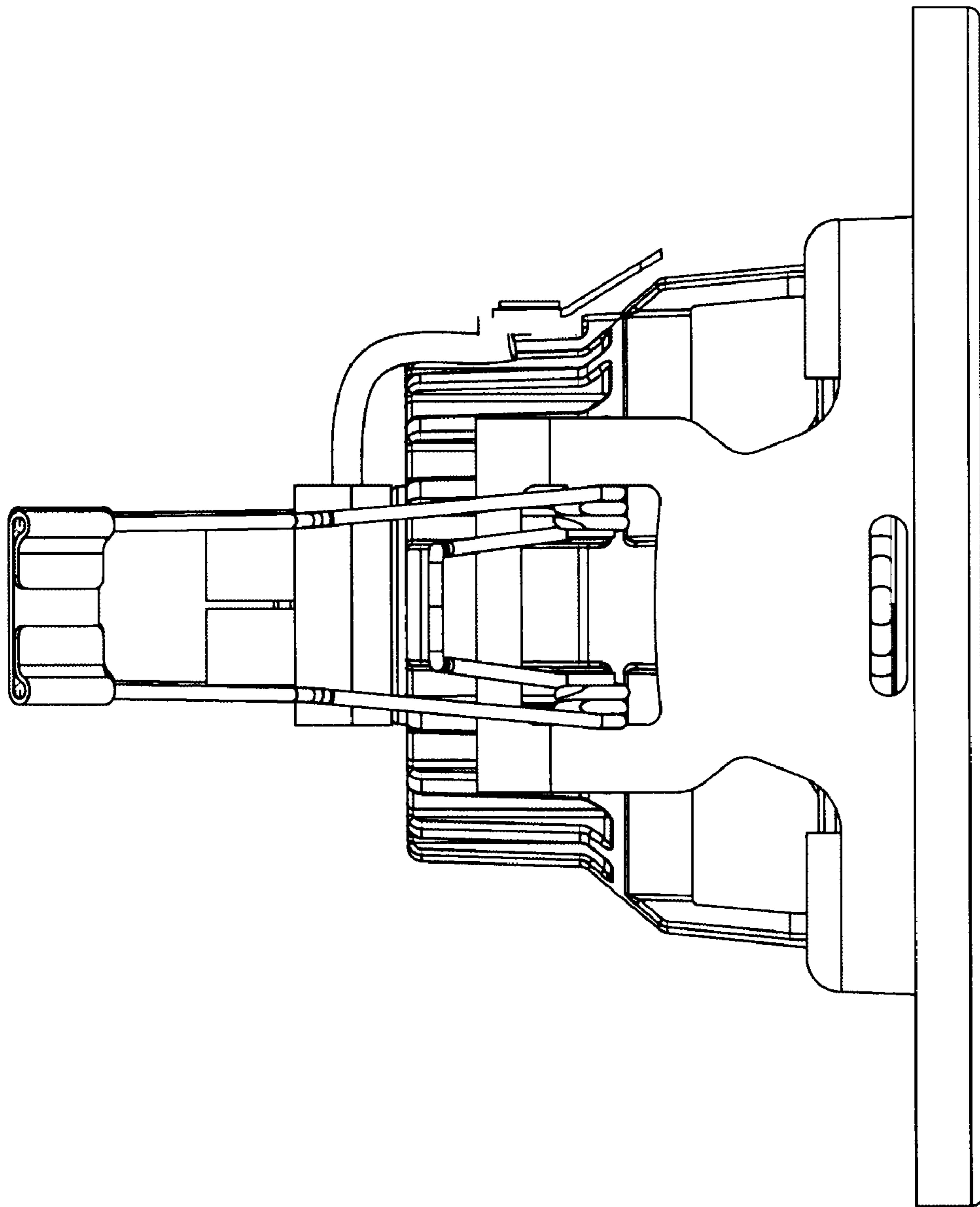


FIG. 5

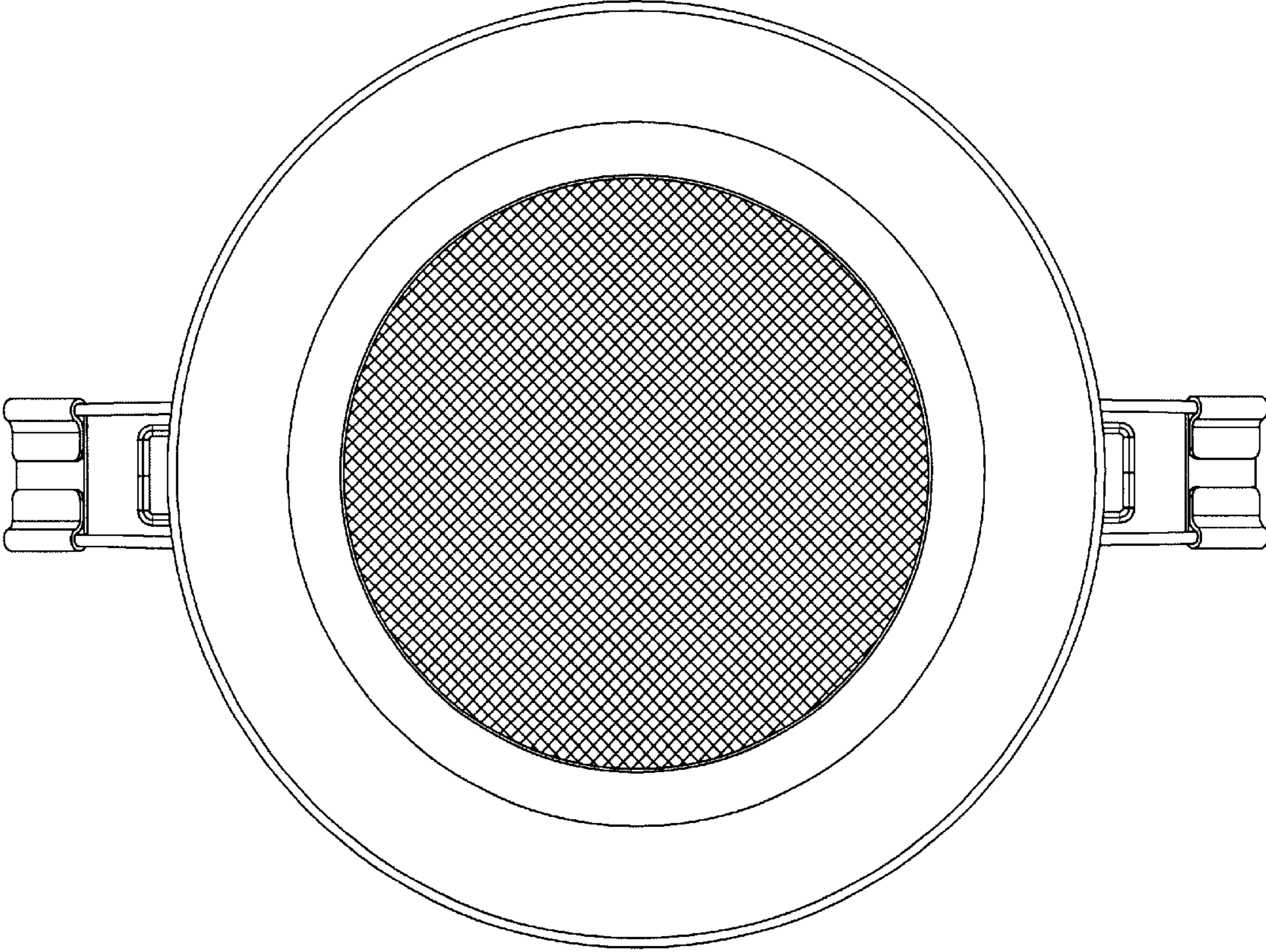


FIG. 6

UNITED STATES PATENT AND TRADEMARK OFFICE
CERTIFICATE OF CORRECTION

PATENT NO. : Des. 518,028 S
APPLICATION NO. : 29/205361
DATED : March 28, 2006
INVENTOR(S) : Stephan Hallsall and Philip Jeffrey Anthony

Page 1 of 1

It is certified that error appears in the above-identified patent and that said Letters Patent is hereby corrected as shown below:

Title Page Item 75: "Tonbridge," should be corrected to instead read "Turnbridge"

Title Page Item 73 "GP Acoustics (U.K.) Ltd.," should be corrected to instead read "GP Acoustics (UK) Limited"

Signed and Sealed this

Nineteenth Day of September, 2006

A handwritten signature in black ink on a light gray dotted background. The signature reads "Jon W. Dudas" in a cursive, stylized script.

JON W. DUDAS

Director of the United States Patent and Trademark Office

UNITED STATES PATENT AND TRADEMARK OFFICE
CERTIFICATE OF CORRECTION

PATENT NO. : Des. 518,028 S
APPLICATION NO. : 29/205361
DATED : March 28, 2006
INVENTOR(S) : Stephen Halsall and Philip Jeffrey Anthony

Page 1 of 1

It is certified that error appears in the above-identified patent and that said Letters Patent is hereby corrected as shown below:

Title Page, Item (75) "Turnbridge," should be corrected to instead read --Tunbridge--

Signed and Sealed this

Twentieth Day of February, 2007

A handwritten signature in black ink on a dotted background. The signature reads "Jon W. Dudas" in a cursive style.

JON W. DUDAS

Director of the United States Patent and Trademark Office