



US00D518027S

(12) **United States Design Patent**  
**Halsall**

(10) **Patent No.:** **US D518,027 S**

(45) **Date of Patent:** **\*\* Mar. 28, 2006**

(54) **LOUDSPEAKER**

(75) Inventor: **Stephen Halsall**, Tonbridge Wells (GB)

(73) Assignee: **GP Acoustics (U.K.) Ltd.**, Crawley (GB)

(\*\*) Term: **14 Years**

(21) Appl. No.: **29/205,356**

(22) Filed: **May 13, 2004**

(30) **Foreign Application Priority Data**

Nov. 13, 2003 (GB) ..... 3015189

(51) **LOC (8) Cl.** ..... **14-01**

(52) **U.S. Cl.** ..... **D14/216**

(58) **Field of Classification Search** ..... D14/204,  
D14/207, 209-216, 356; 181/143-144, 147-148,  
181/150, 157, 198-199, 151, 153; 381/300-302,  
381/306, 333, 345, 361-364, 386-388, 332,  
381/336

See application file for complete search history.

(56) **References Cited**

**U.S. PATENT DOCUMENTS**

D225,069 S \* 11/1972 May ..... D14/216

D400,884 S \* 11/1998 Christie, II ..... D14/216  
D432,118 S \* 10/2000 Honnert ..... D14/216  
D475,992 S \* 6/2003 Tomotaro ..... D14/216  
D476,313 S \* 6/2003 Rivera ..... D14/216  
6,661,902 B1 \* 12/2003 Ziegler et al. .... 381/386

\* cited by examiner

*Primary Examiner*—Nanda Bondade

(74) *Attorney, Agent, or Firm*—Kenneth L. Sherman, Esq.;  
Myers, Dawes, Andras & Sherman, LLP

(57) **CLAIM**

I claim the ornamental design for a loudspeaker, substantially as shown and described.

**DESCRIPTION**

FIG. 1 is a rear perspective view of a loudspeaker showing my new design;

FIG. 2 is a plan view thereof;

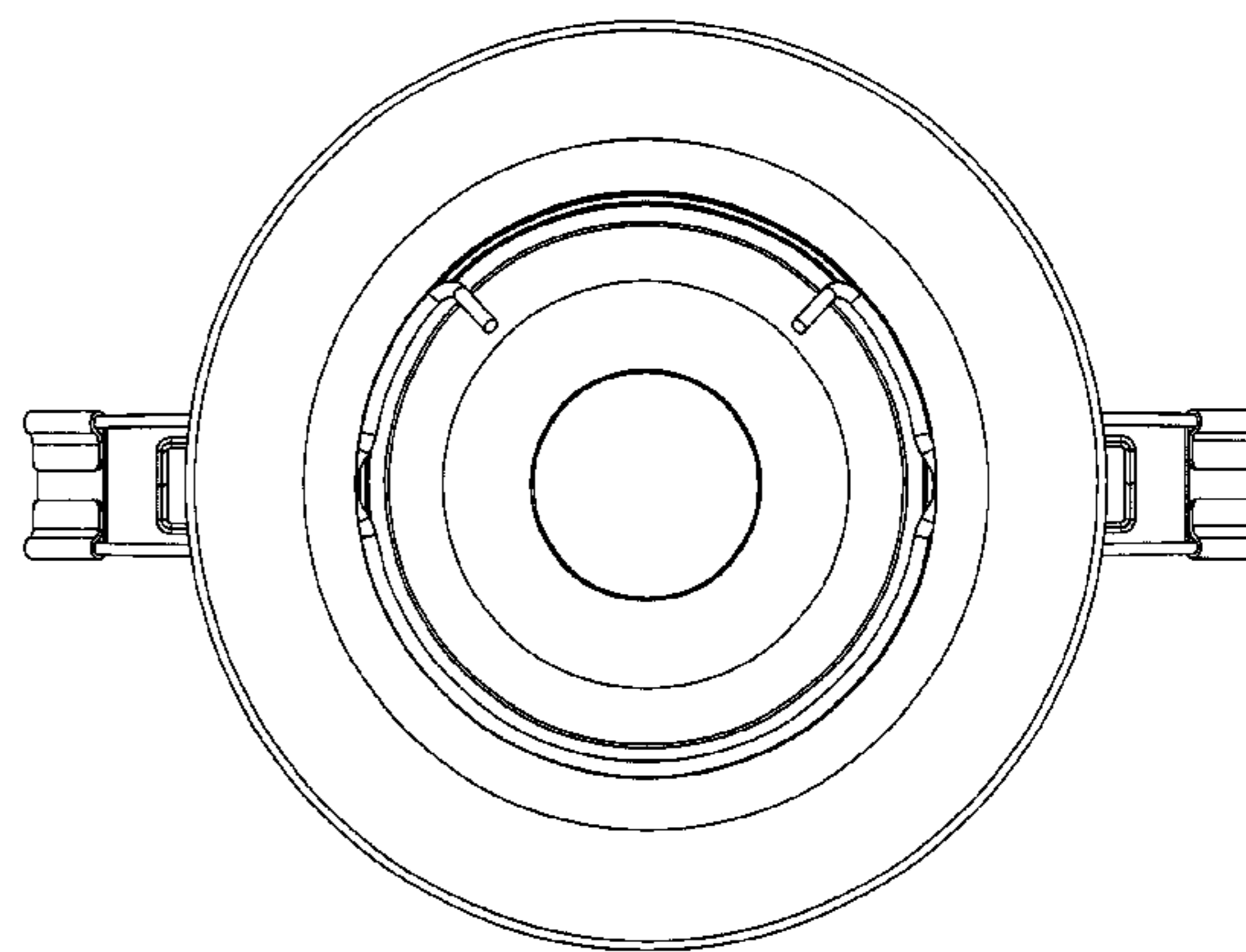
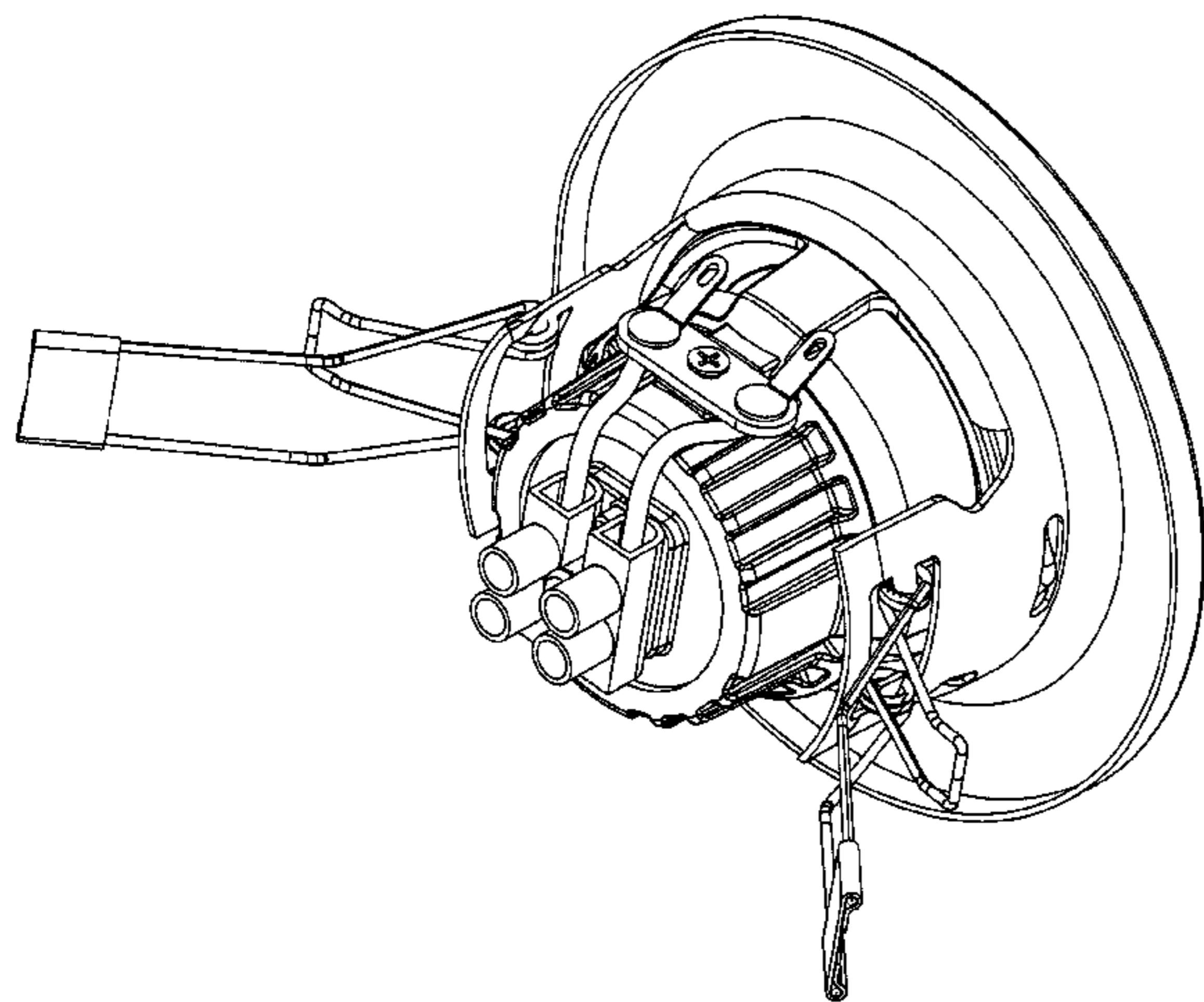
FIG. 3 is a front perspective view thereof;

FIG. 4 is a rear view thereof;

FIG. 5 is a side view thereof; and,

FIG. 6 is a front view thereof.

**1 Claim, 6 Drawing Sheets**



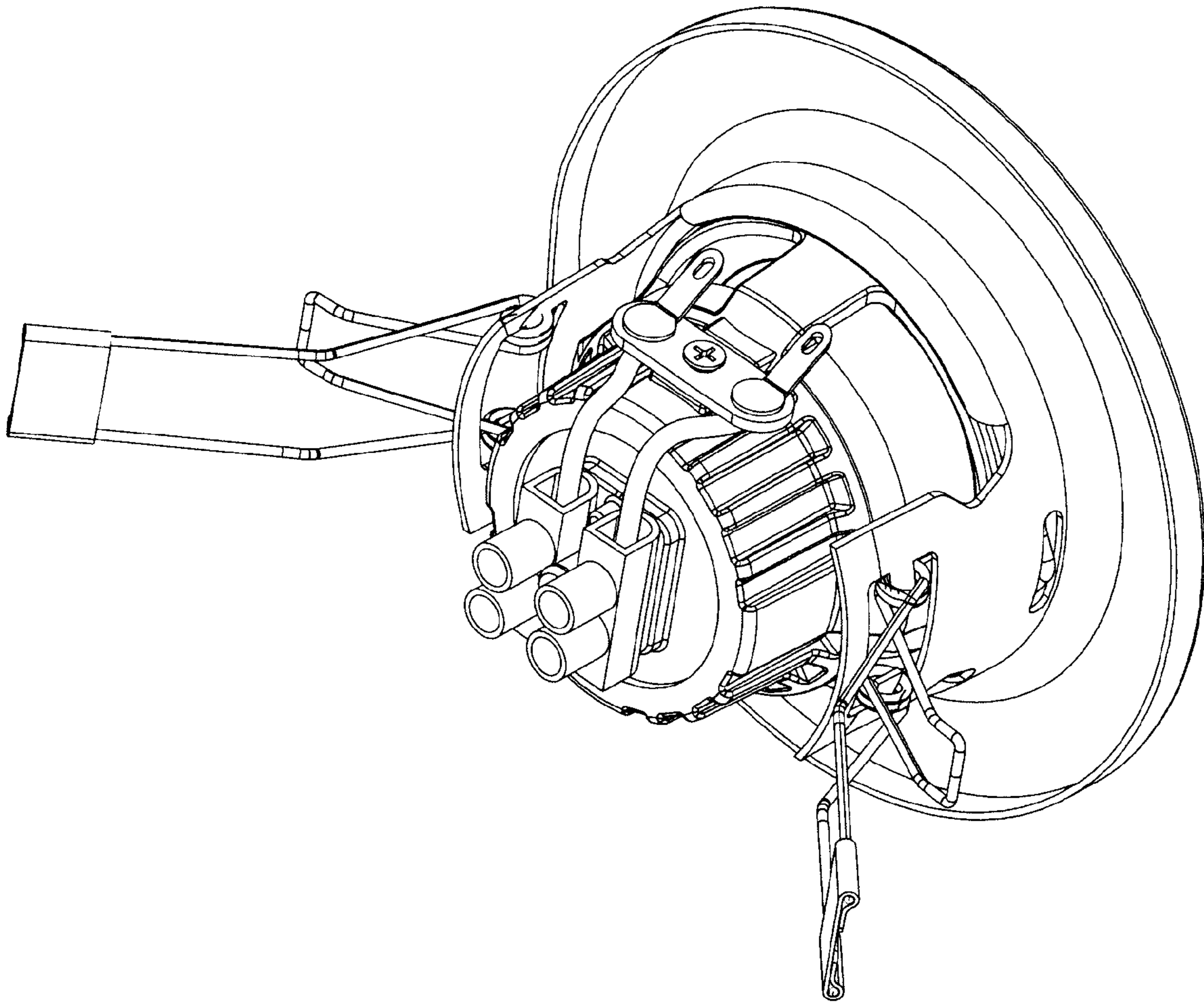


FIG. 1

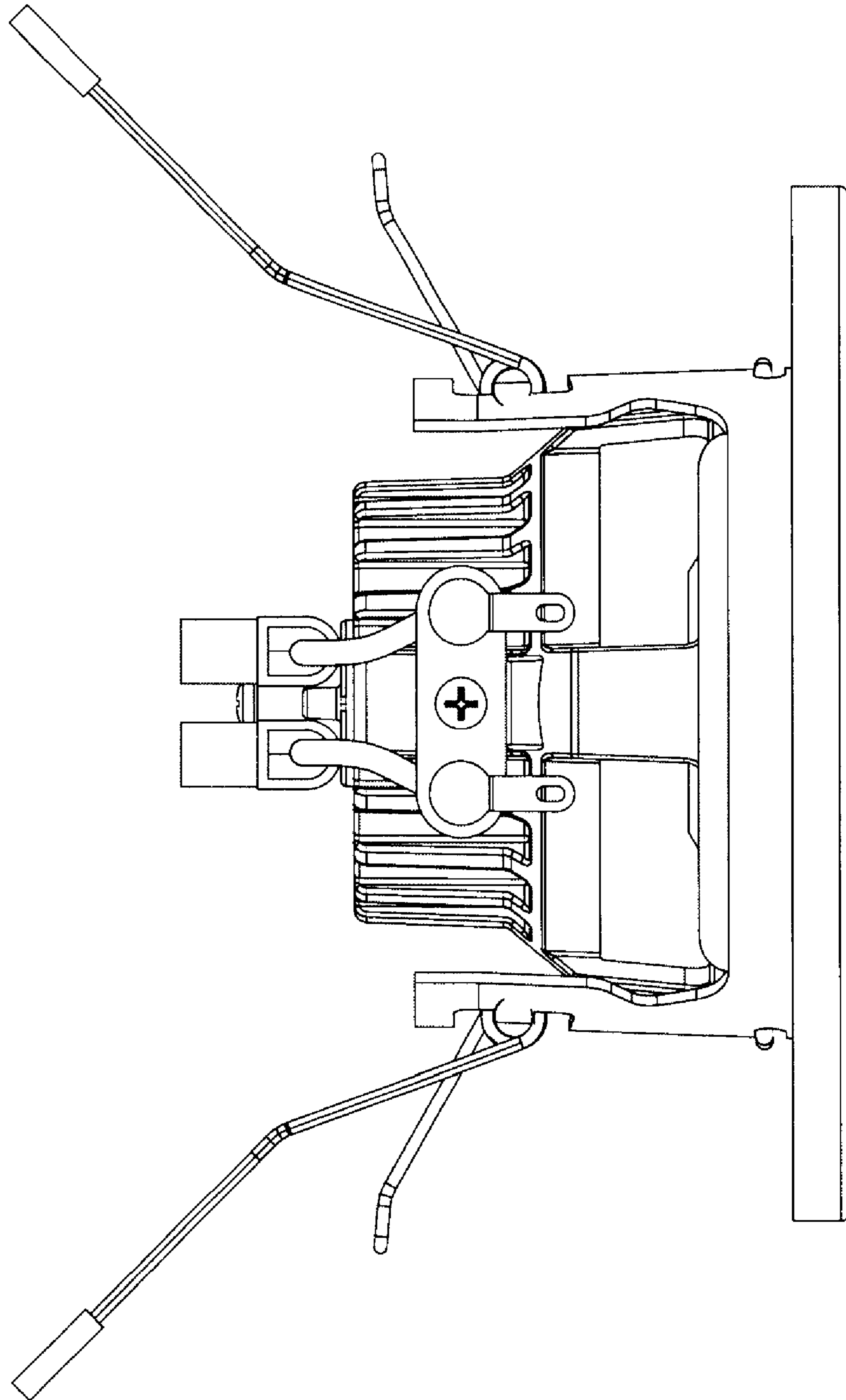


FIG. 2

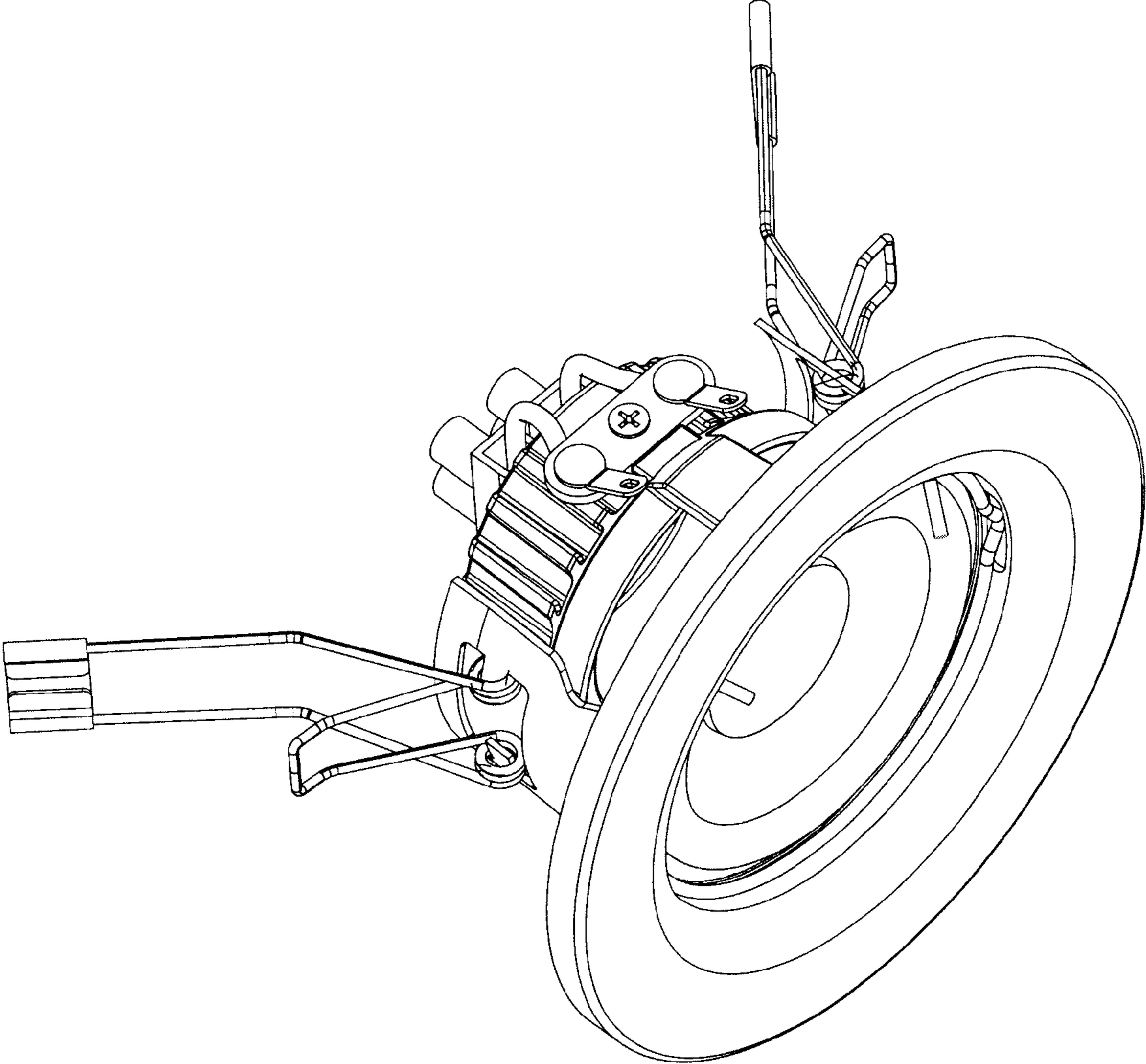


FIG. 3

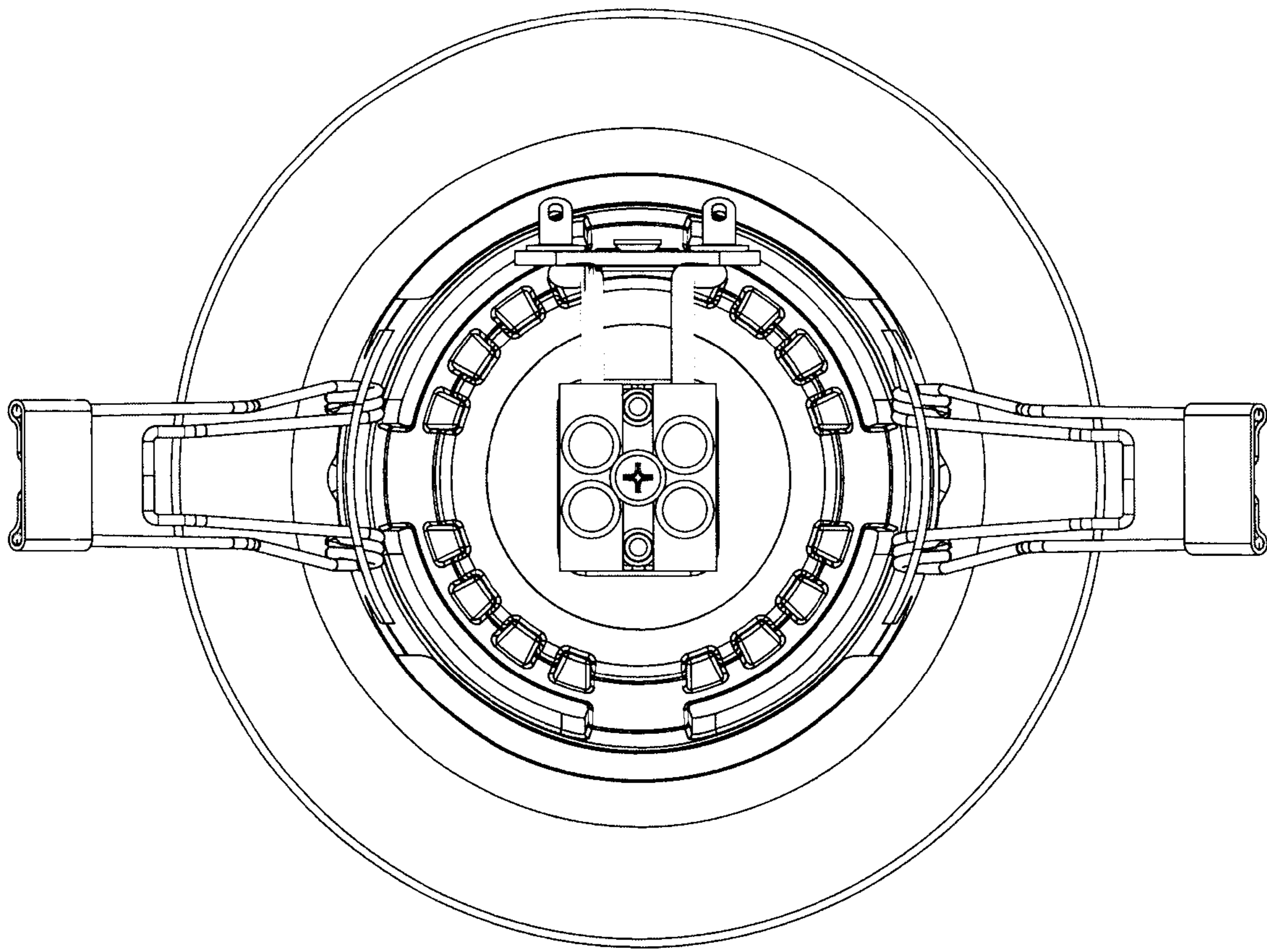


FIG. 4

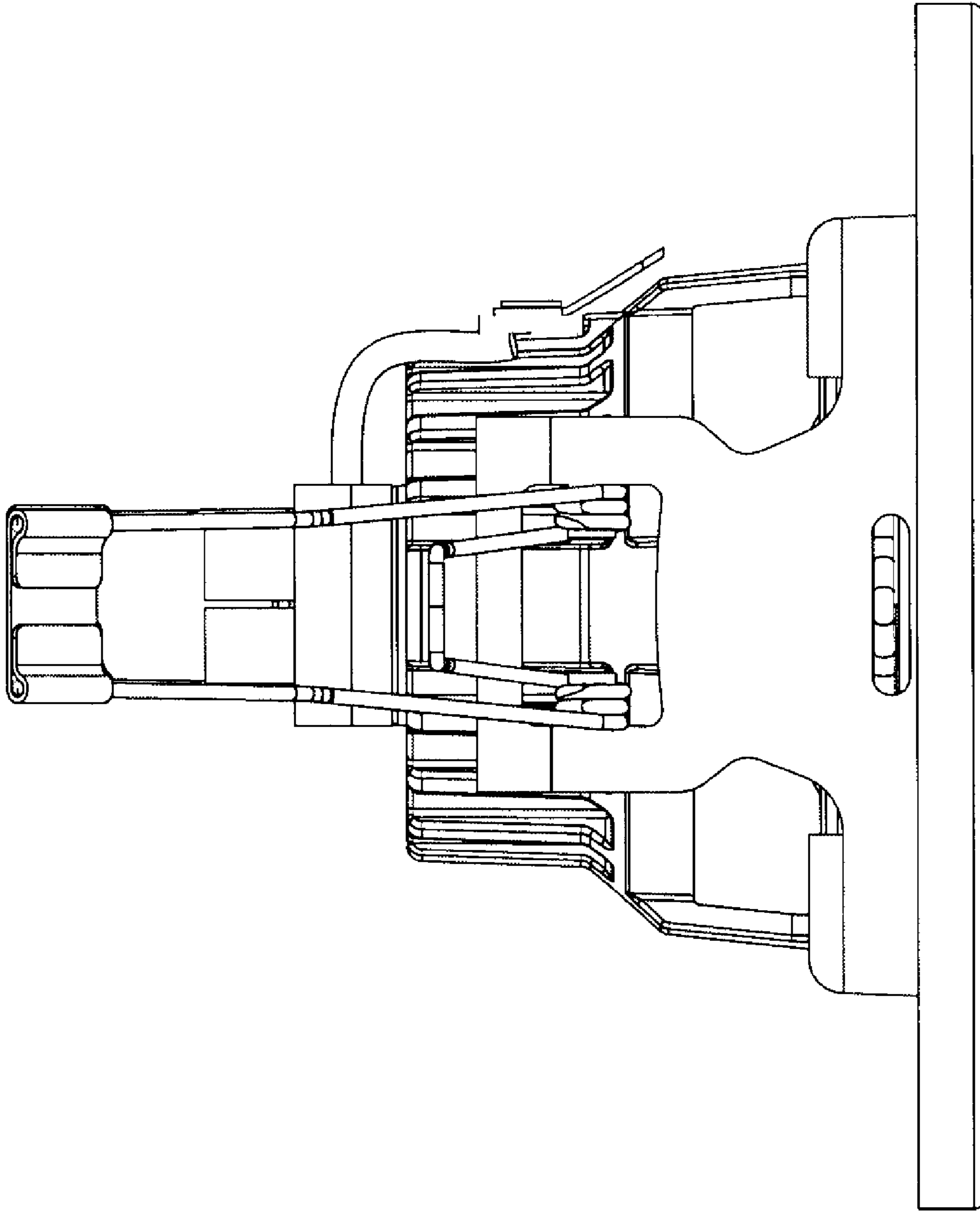


FIG. 5

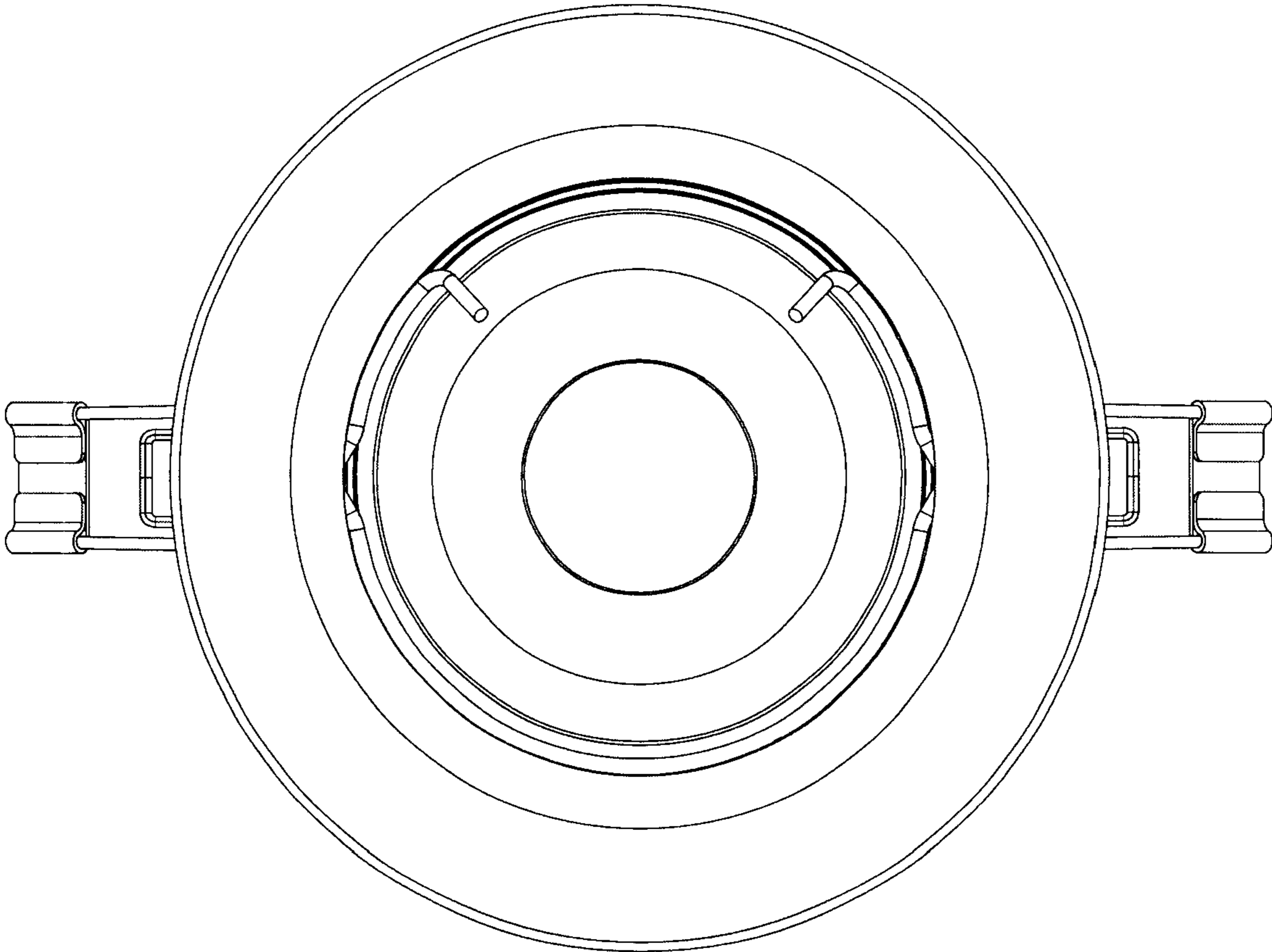


FIG. 6

UNITED STATES PATENT AND TRADEMARK OFFICE  
**CERTIFICATE OF CORRECTION**

PATENT NO. : Des. 518,027 S  
APPLICATION NO. : 29/205356  
DATED : March 28, 2006  
INVENTOR(S) : Stephen Hallsall

Page 1 of 1

It is certified that error appears in the above-identified patent and that said Letters Patent is hereby corrected as shown below:

TITLE PG. ITEM 75: "Tonbridge," should be corrected to instead read -- Tumbridge --

TITLE PG. ITEM 73 "GP Acoustics (U.K.) Ltd.," should be corrected to instead read -- GP Acoustics (UK) Limited --

Signed and Sealed this

Nineteenth Day of September, 2006

A handwritten signature in black ink on a light gray dotted background. The signature reads "Jon W. Dudas" in a cursive style.

JON W. DUDAS

*Director of the United States Patent and Trademark Office*



UNITED STATES PATENT AND TRADEMARK OFFICE  
**CERTIFICATE OF CORRECTION**

PATENT NO. : Des. 518,027 S  
APPLICATION NO. : 29/205356  
DATED : March 28, 2006  
INVENTOR(S) : Stephen Halsall

Page 1 of 1

It is certified that error appears in the above-identified patent and that said Letters Patent is hereby corrected as shown below:

Title Page, Item (75) Inventors: "Tumbridge," should be corrected to instead read  
--Tunbridge--

Signed and Sealed this

Twentieth Day of February, 2007

A handwritten signature in black ink on a light gray dotted background. The signature reads "Jon W. Dudas" in a cursive style.

JON W. DUDAS

*Director of the United States Patent and Trademark Office*