



US00D518024S

(12) **United States Design Patent**
Liow et al.

(10) **Patent No.: US D518,024 S**
(45) **Date of Patent: ** Mar. 28, 2006**

(54) **HEADPHONE AND LOUDSPEAKER**

D443,603 S * 6/2001 Taylor et al. D14/206

(75) Inventors: **Yuen Khim Liow**, Singapore (SG);
Siang Thia Goh, Singapore (SG); **Eng Wah Teo**, Singapore (SG); **Gee Han Bobby Png**, Singapore (SG)

OTHER PUBLICATIONS

AMAZON.COM web site featuring Sennheiser PXC 250 Noise Canceling Headphones (Silver) for sale, Date first available for sale on Amazon: Feb. 15, 2003, 3 pages.

(73) Assignee: **Creative Technology Ltd.**, Singapore (SG)

* cited by examiner

(**) Term: **14 Years**

Primary Examiner—Paula A. Greene

(21) Appl. No.: **29/227,796**

(74) *Attorney, Agent, or Firm*—P. Francois de Villiers

(22) Filed: **Apr. 15, 2005**

(57) **CLAIM**

The ornamental design for a headphone and loudspeaker, substantially as shown and described.

(51) **LOC (8) Cl.** **14-01**

DESCRIPTION

(52) **U.S. Cl.** **D14/206**

(58) **Field of Classification Search** D14/137,
D14/192, 204, 205, 206, 215, 223; D2/865,
D2/866; D29/110, 112; D24/174; 2/2, 209,
2/423; 128/857, 864, 866; 181/129, 130,
181/137; 379/430, 444

FIG. 1 is a front perspective view of a headphone and loudspeaker showing our new design;
FIG. 2 is a front perspective view of a headphone and loudspeaker thereof in an alternate position;
FIG. 3 is a side perspective view of FIG. 2;
FIG. 4 is a front elevational view of FIG. 1 the rear elevational view is a mirror image;
FIG. 5 is a side elevational view of FIG. 1;
FIG. 6 is a bottom view of FIG. 1;
FIG. 7 is a top view of FIG. 1;
FIG. 8 is a top plan view of FIG. 2, the bottom plan view is a mirror image;
FIG. 9 is a side view of FIG. 2, the opposite side is a mirror image;
FIG. 10 is a front elevational view of FIG. 2; and,
FIG. 11 is a rear elevational view of FIG. 2.
The broken lines are for illustrative purposes only and forms no part of the claimed design.

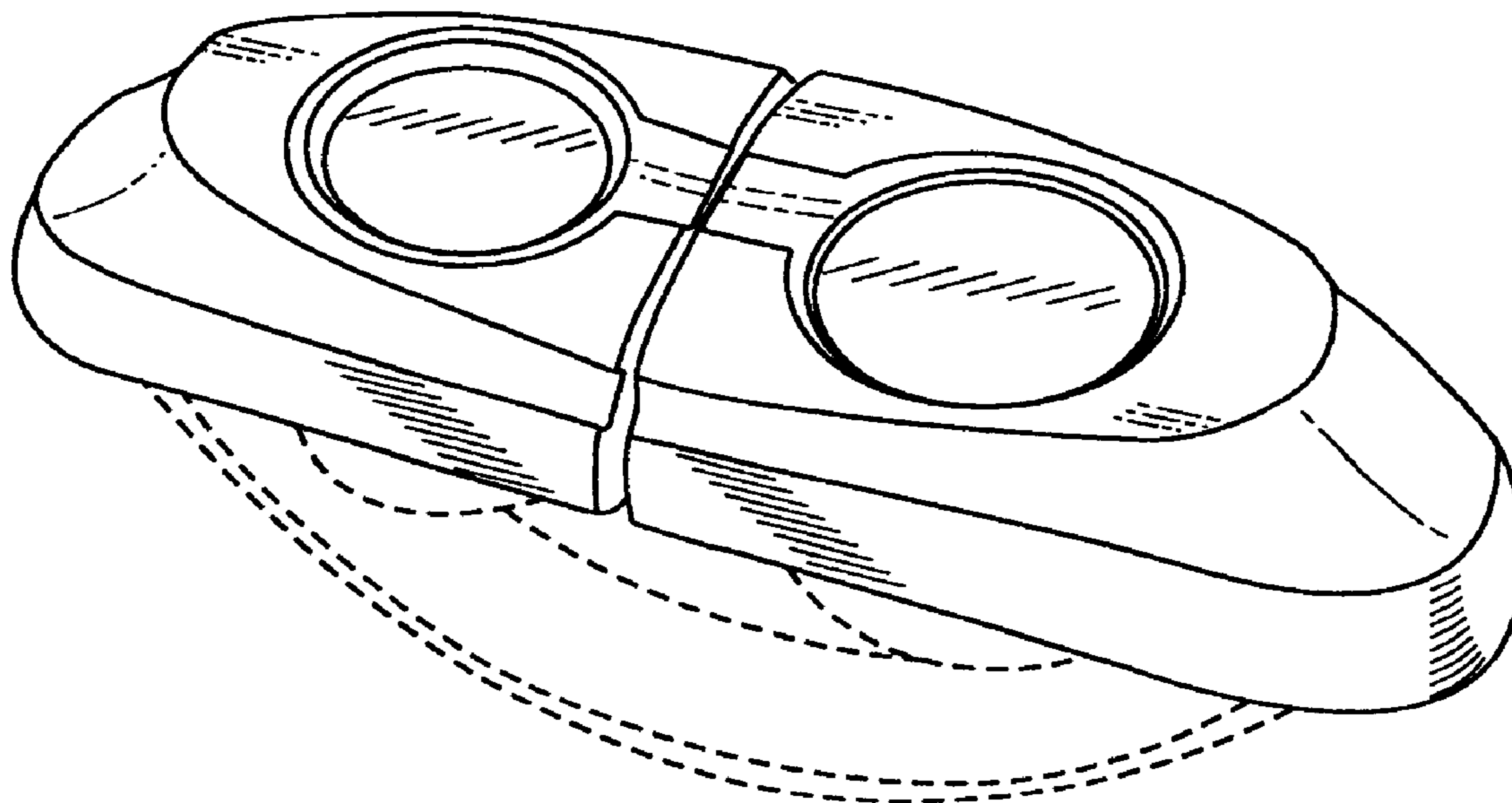
See application file for complete search history.

(56) **References Cited**

U.S. PATENT DOCUMENTS

D204,886 S	*	5/1966	Kliwer	D14/205
D244,301 S	*	5/1977	Besasio	D14/223
4,445,005 A		4/1984	Furuhashi		
D276,665 S	*	12/1984	Higginson	D29/112
D298,670 S	*	11/1988	Palmaer	D29/112
D299,129 S	*	12/1988	Wiegel	D14/223
5,099,519 A		3/1992	Guan		
D379,817 S	*	6/1997	Lin	D14/223
D394,436 S	*	5/1998	Hall et al.	D14/206
D402,659 S	*	12/1998	Suzuki	D14/215

1 Claim, 3 Drawing Sheets



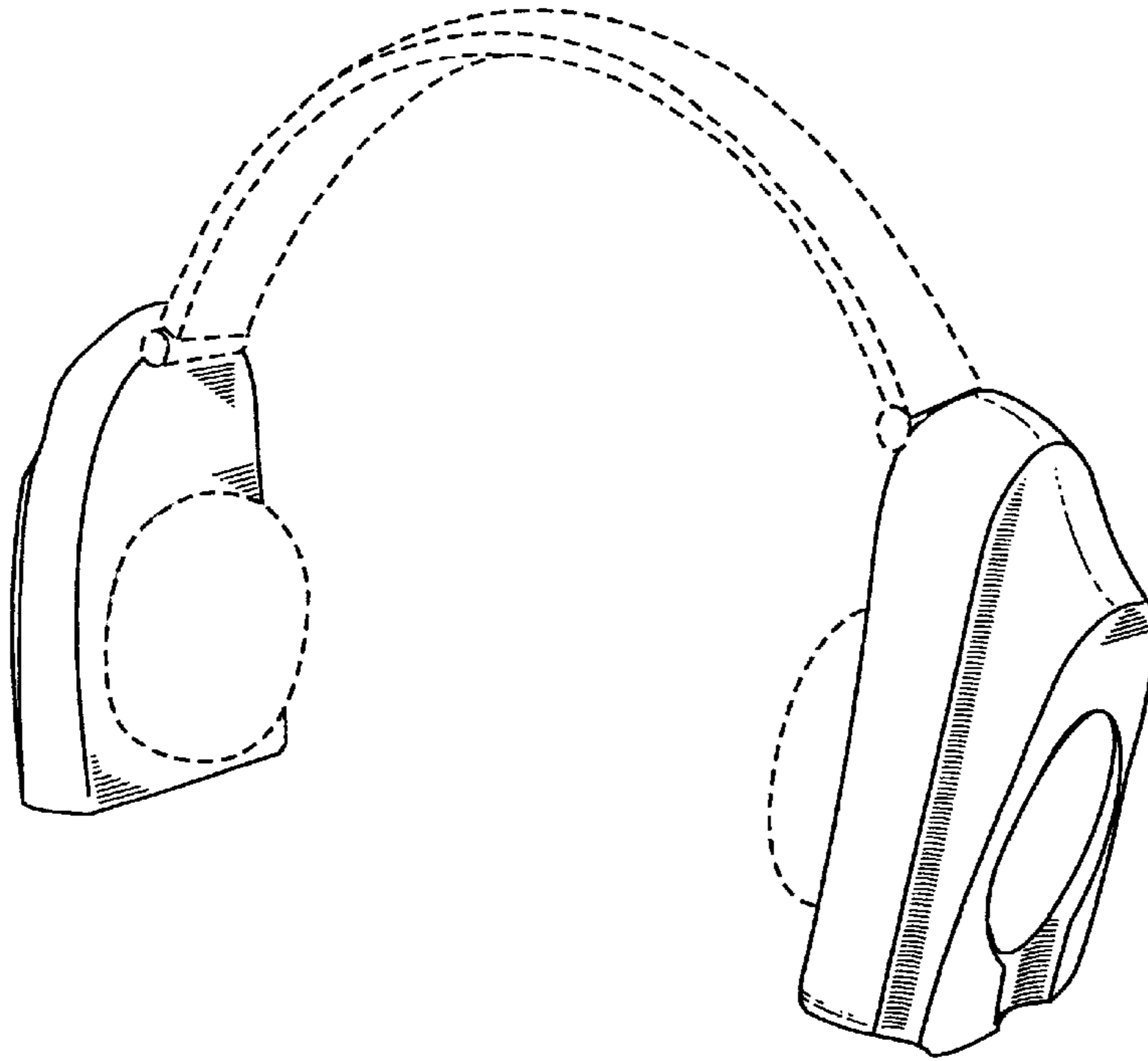


FIG. 1

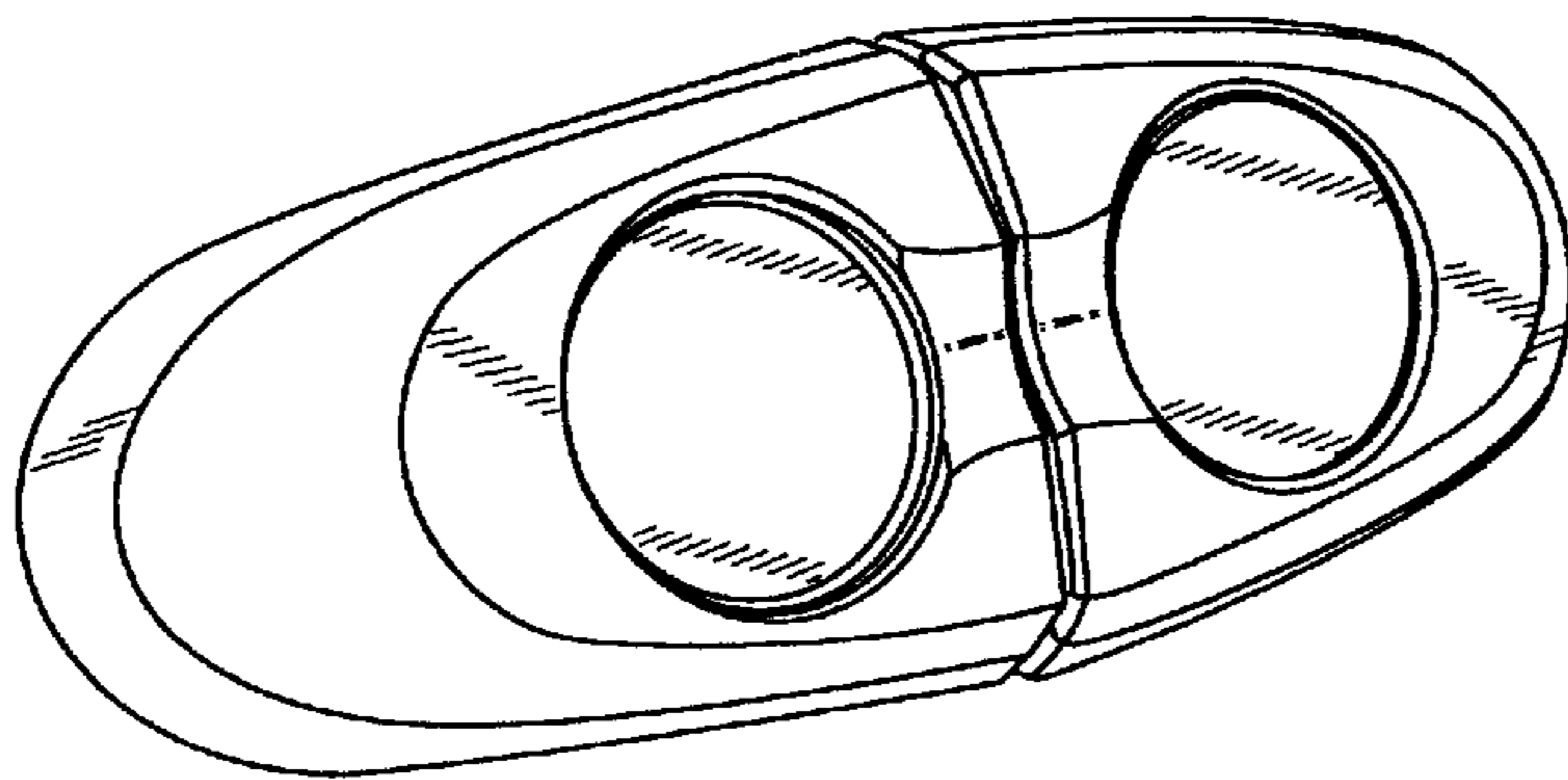


FIG. 2

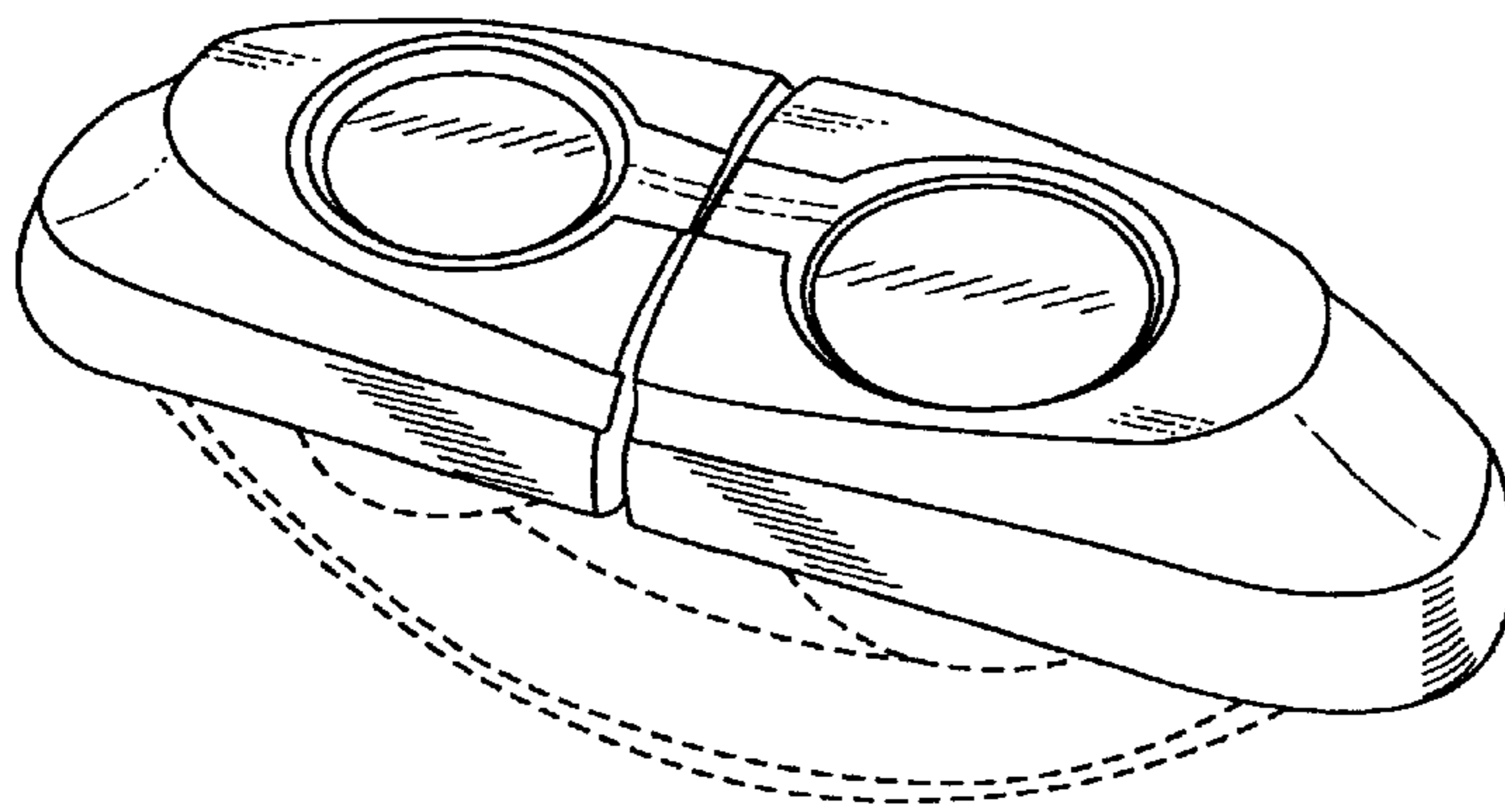


FIG. 3

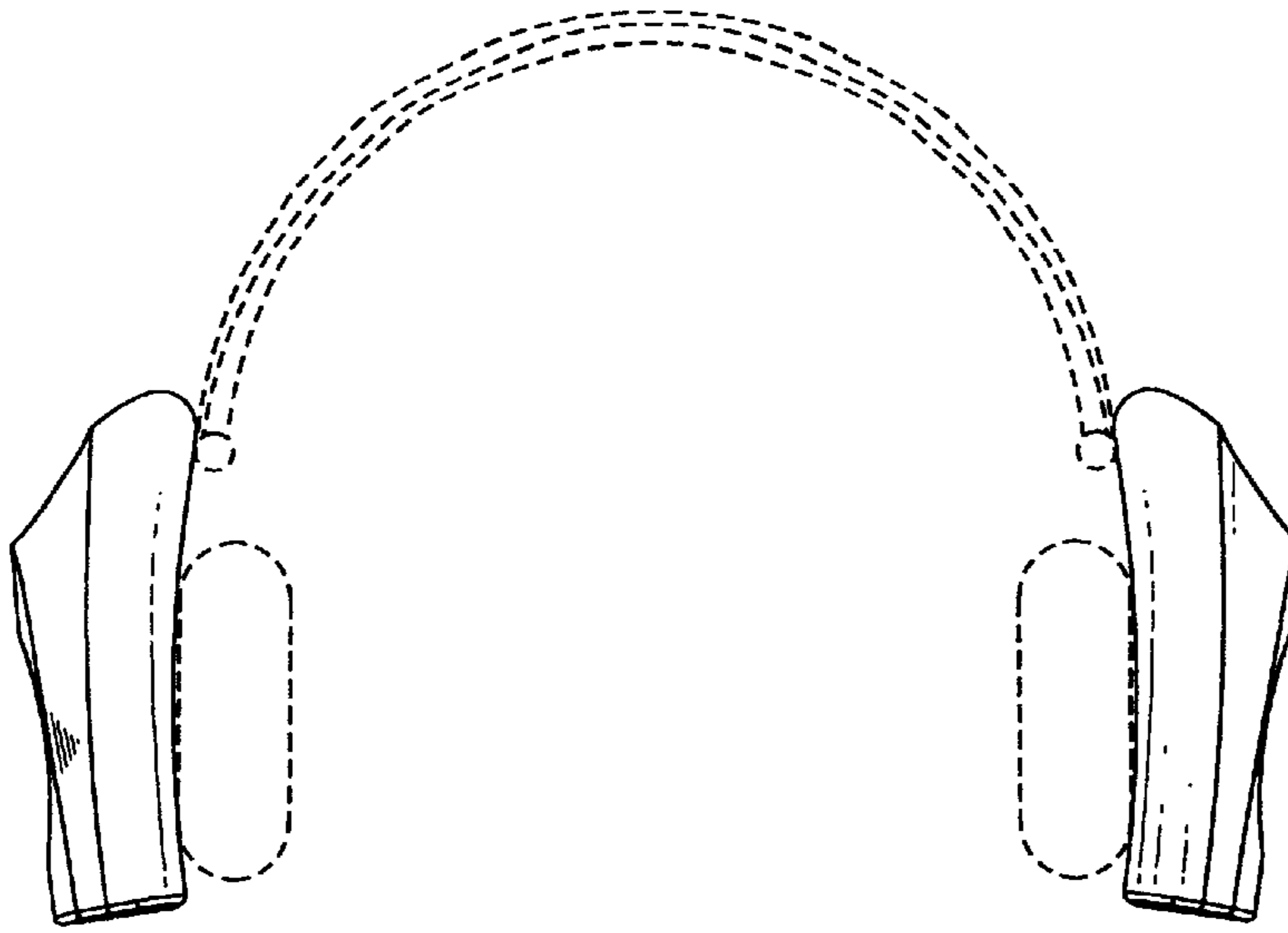


FIG. 4

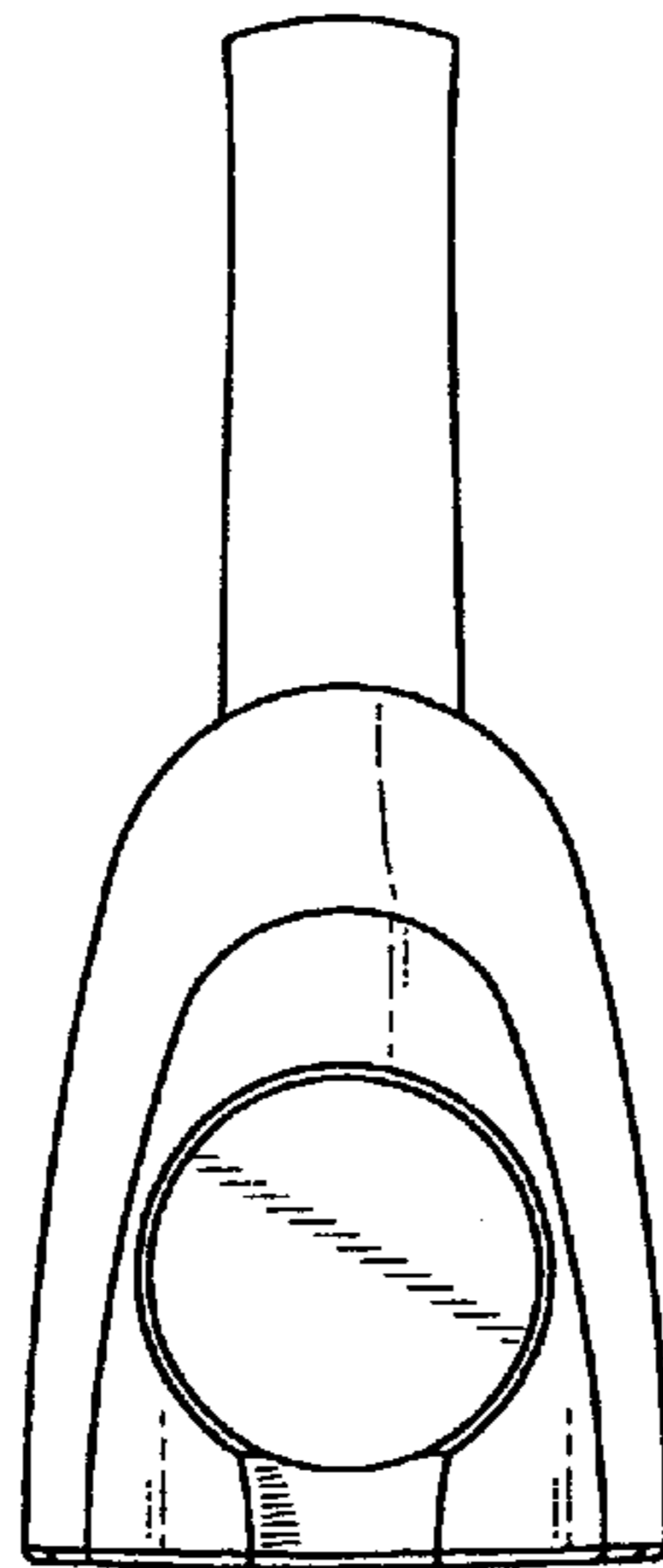


FIG. 5

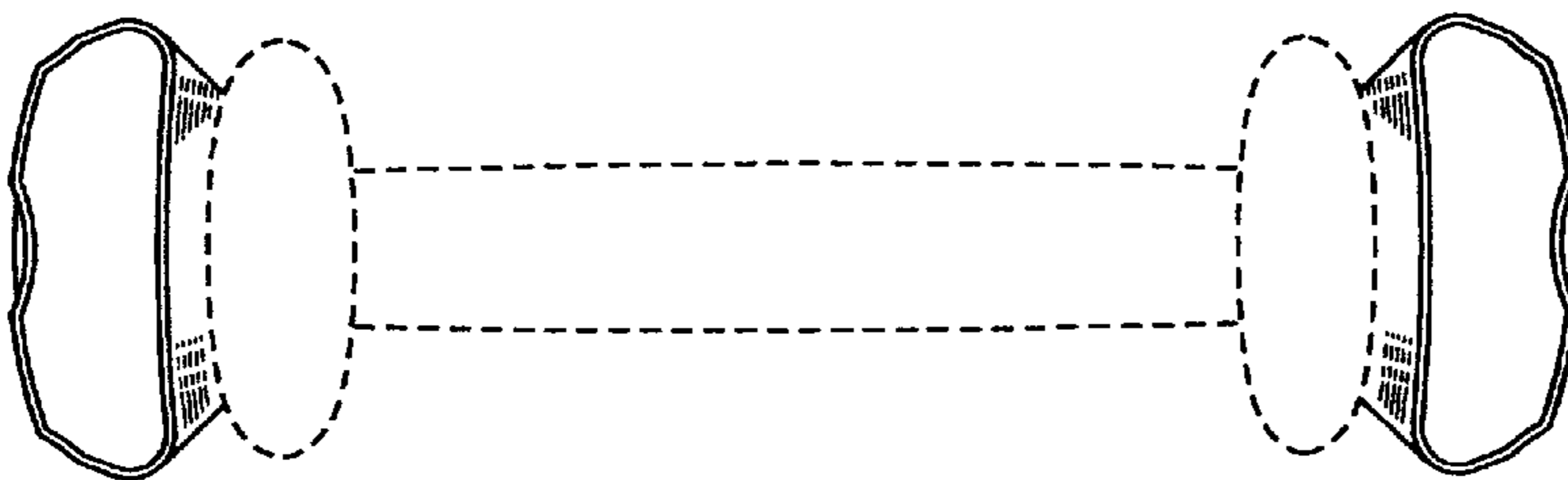


FIG. 6

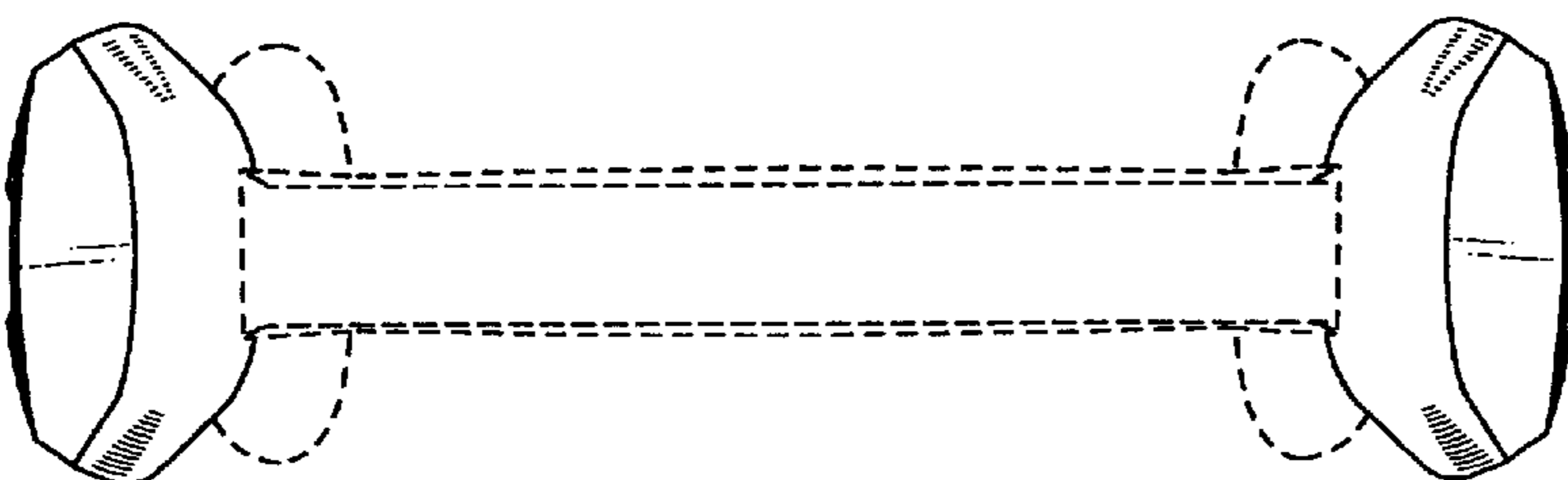


FIG. 7

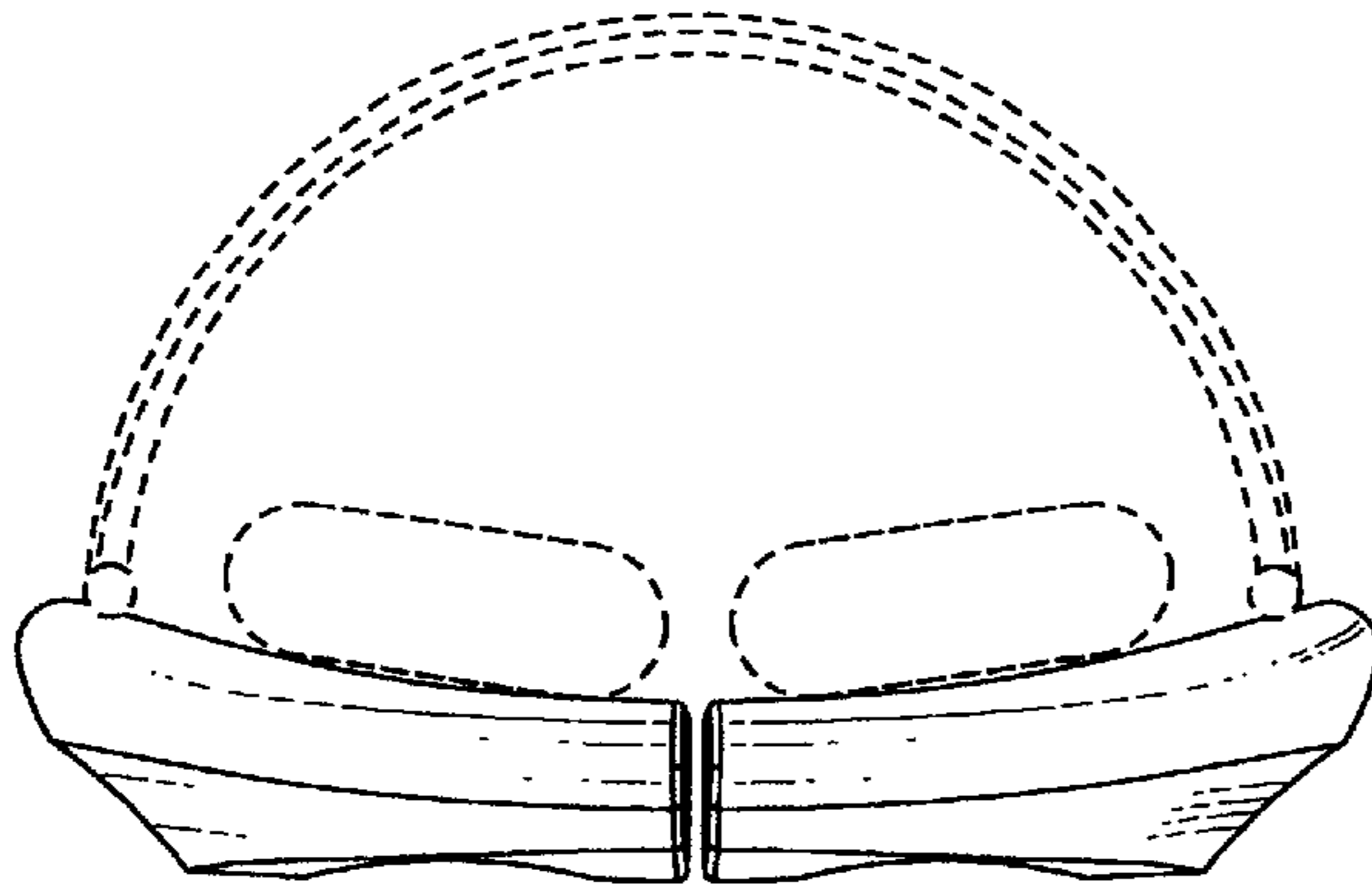


FIG. 8

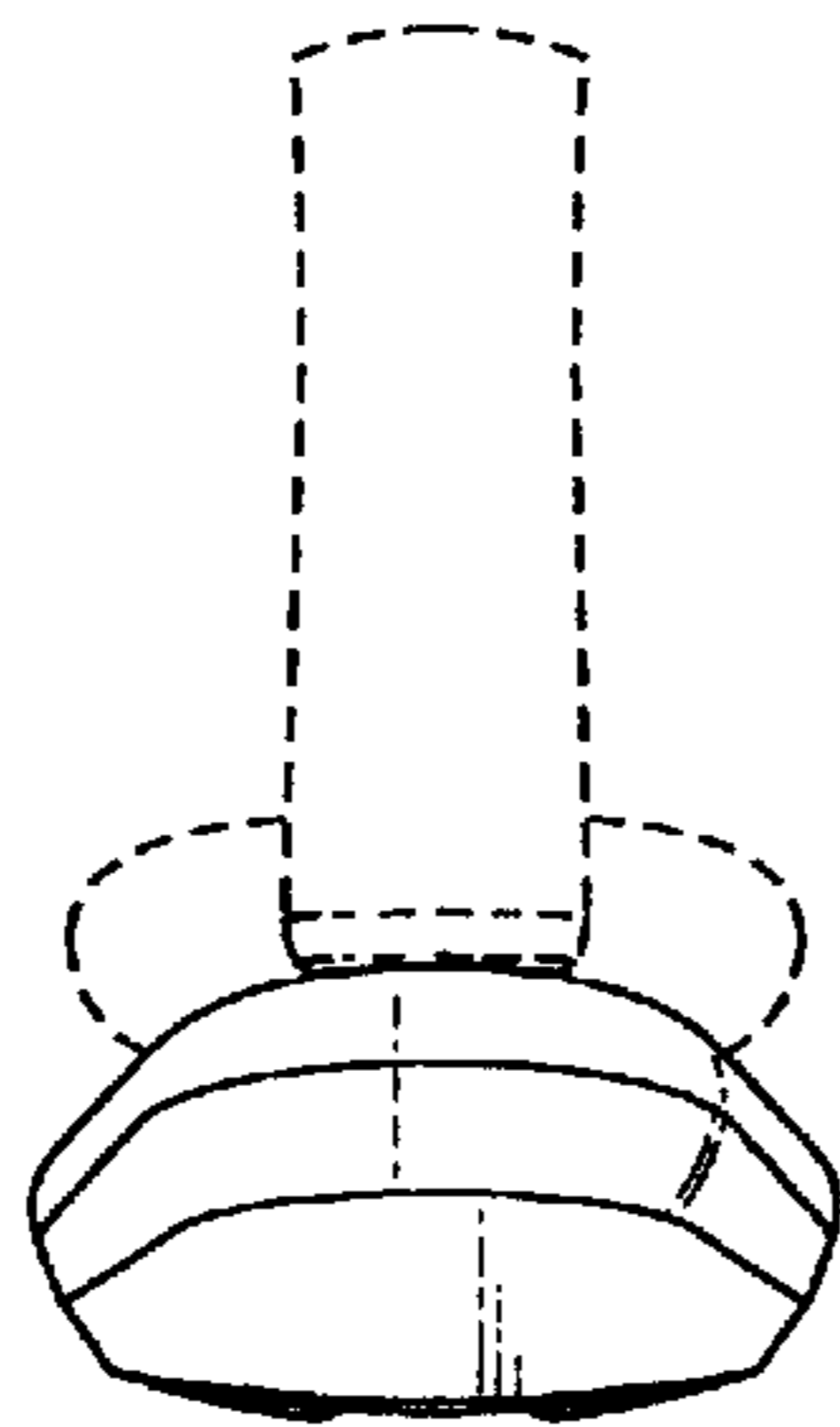


FIG. 9

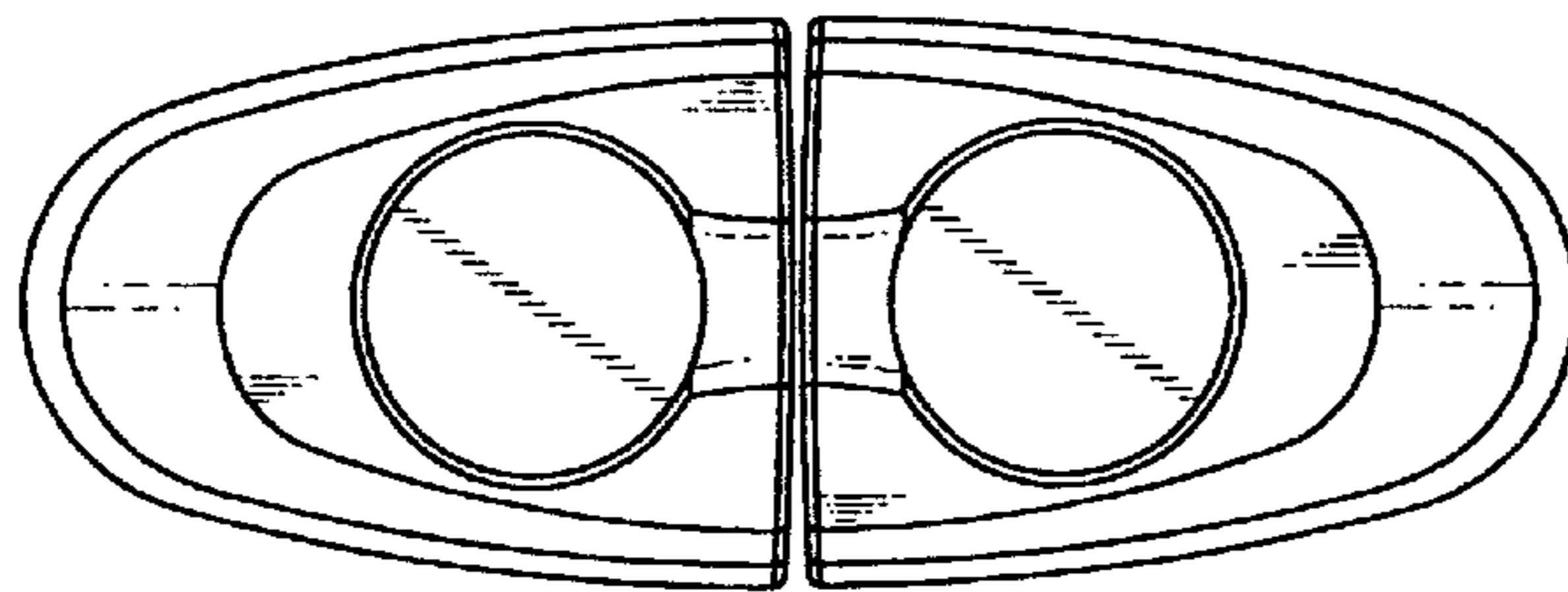


FIG. 10

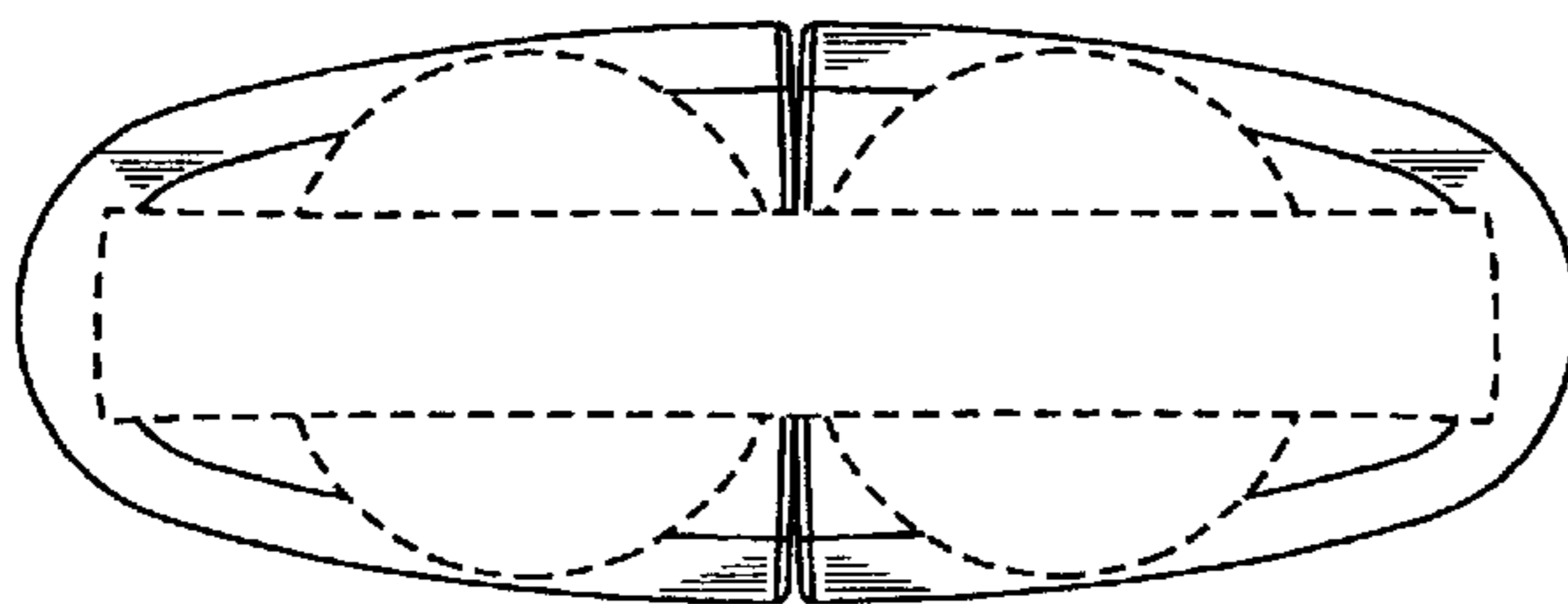


FIG. 11