



US00D518023S

(12) **United States Design Patent**  
**Miller**

(10) **Patent No.:** **US D518,023 S**

(45) **Date of Patent:** **\*\* Mar. 28, 2006**

(54) **SPEAKER**

D282,657 S \* 2/1986 Caren ..... D14/221  
D405,794 S \* 2/1999 Olsen ..... D14/204

(75) Inventor: **Roger L. Miller**, Crestwood, KY (US)

\* cited by examiner

(73) Assignee: **Code 3, Inc.**, St. Louis, MO (US)

*Primary Examiner*—Nanda Bondade

(\*\*) Term: **14 Years**

(74) *Attorney, Agent, or Firm*—Senniger Powers

(21) Appl. No.: **29/214,227**

(57) **CLAIM**

(22) Filed: **Sep. 29, 2004**

The ornamental design for a speaker, as shown and described.

(51) **LOC (8) Cl.** ..... **14-01**

(52) **U.S. Cl.** ..... **D14/204**

(58) **Field of Classification Search** ..... D14/204,  
D14/207, 209–216, 356; 181/143–144, 147–148,  
181/150, 157, 198–199, 151, 153; 381/300–302,  
381/306, 333, 345, 361–364, 386–388, 332,  
381/336

**DESCRIPTION**

See application file for complete search history.

FIG. 1 is a front, top and right perspective view of a speaker showing my new design;

FIG. 2 is a bottom elevation view of the speaker of FIG. 1;

FIG. 3 is a front elevation view of the speaker of FIG. 1;

FIG. 4 is a back elevation view of the speaker of FIG. 1; and,

FIG. 5 is a right elevation view of the speaker of FIG. 1.

(56) **References Cited**

**U.S. PATENT DOCUMENTS**

D263,823 S \* 4/1982 Chapman ..... D14/212

**1 Claim, 3 Drawing Sheets**

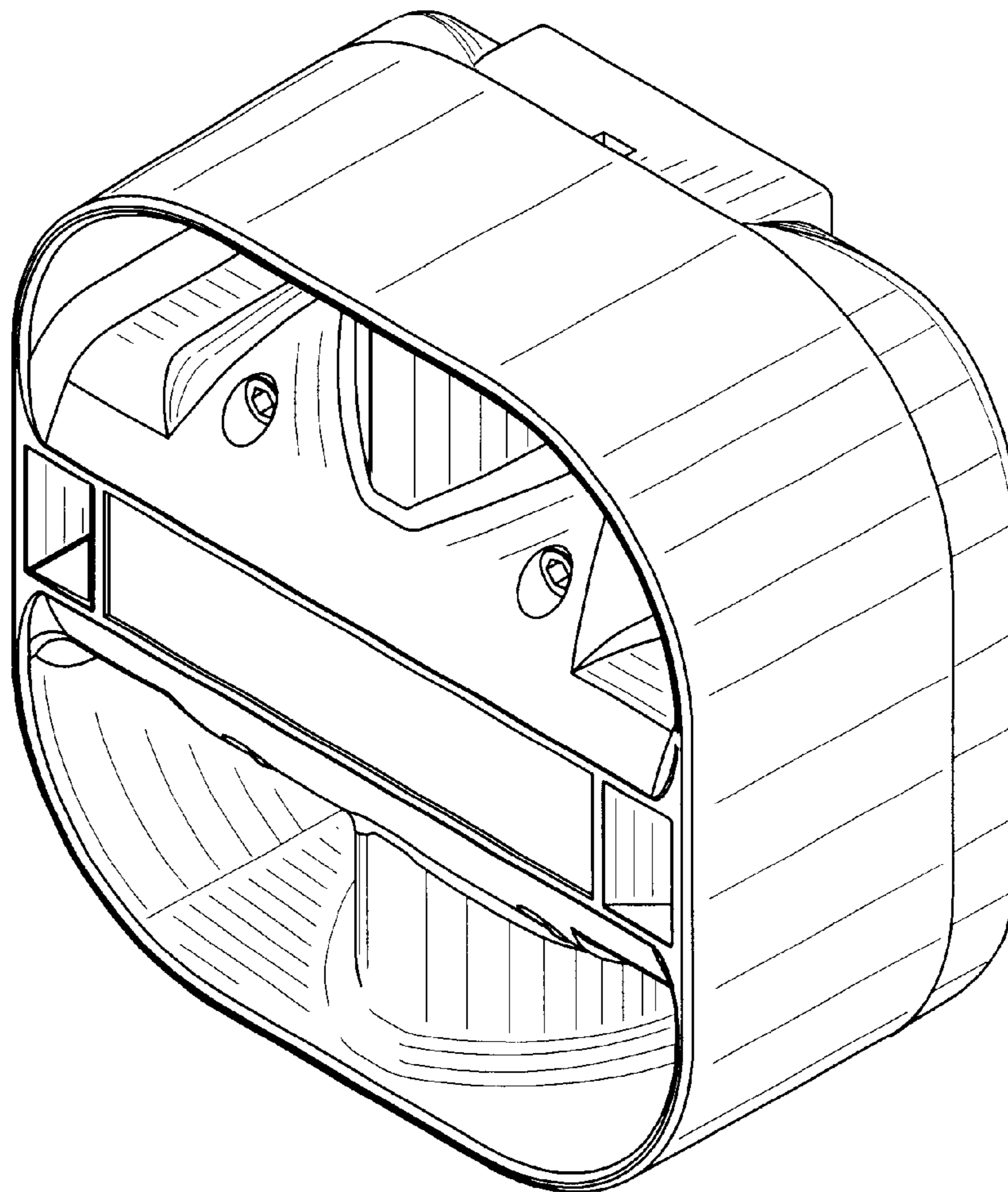


FIG. 1

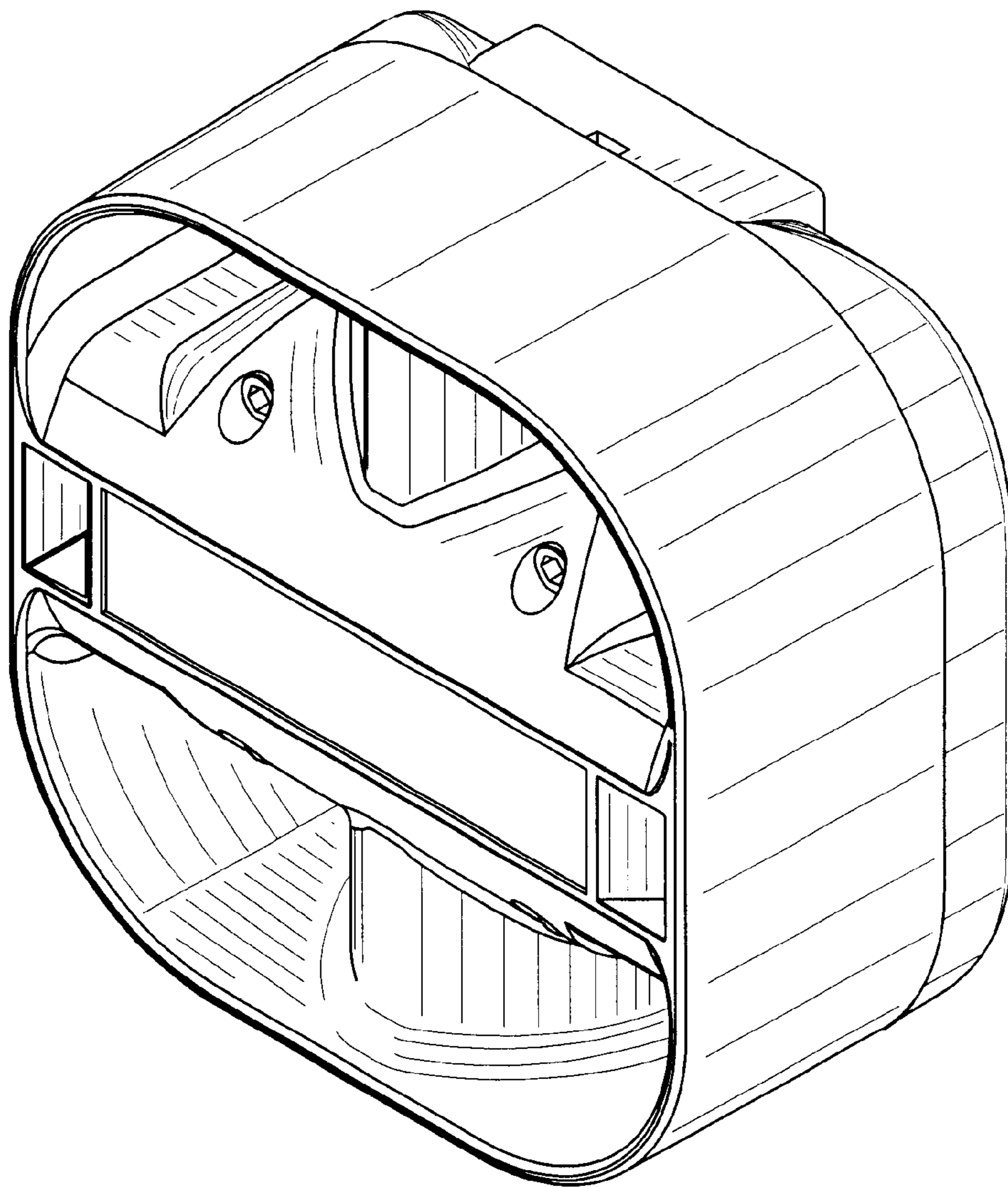


FIG. 2

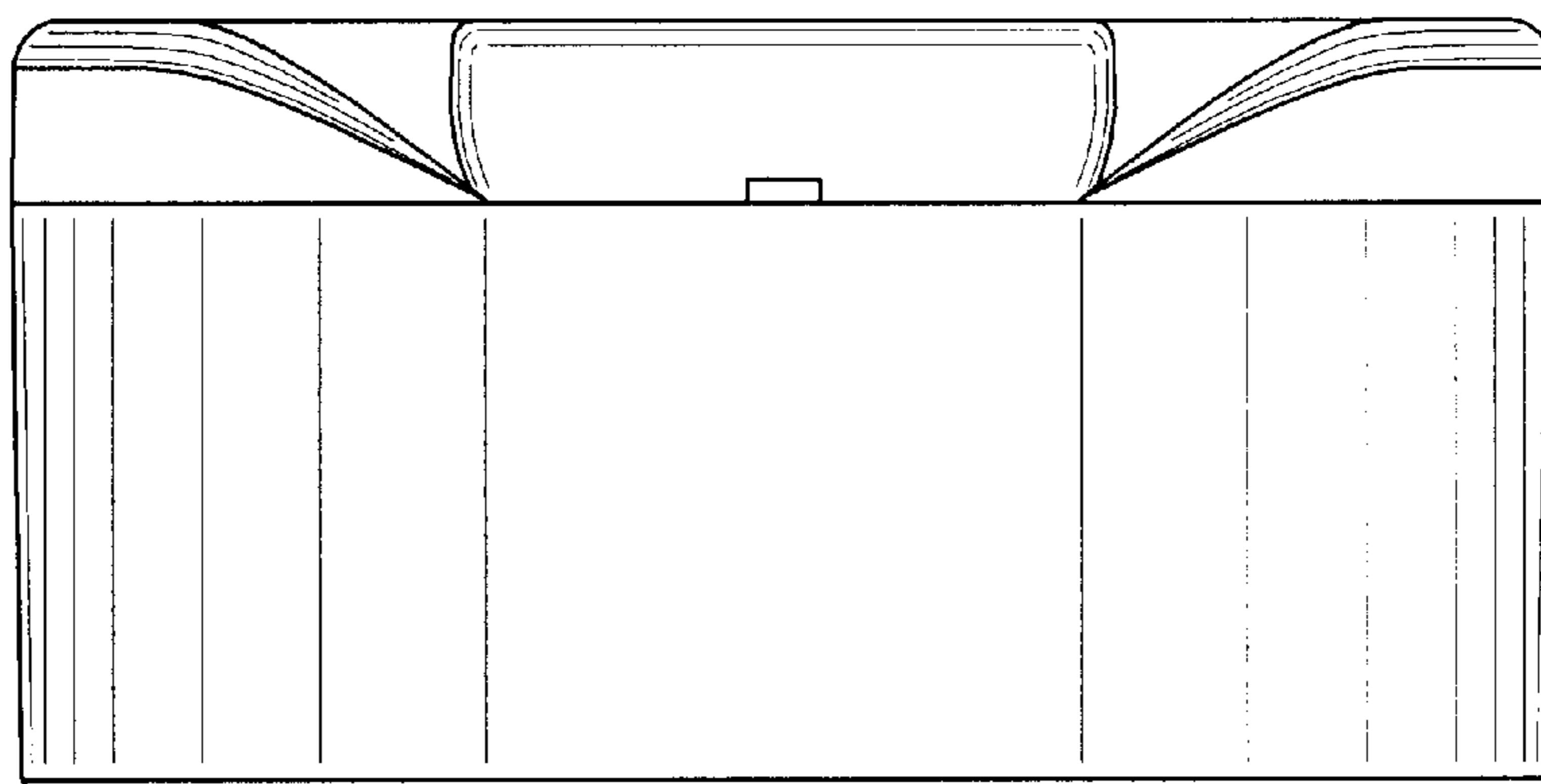


FIG. 3

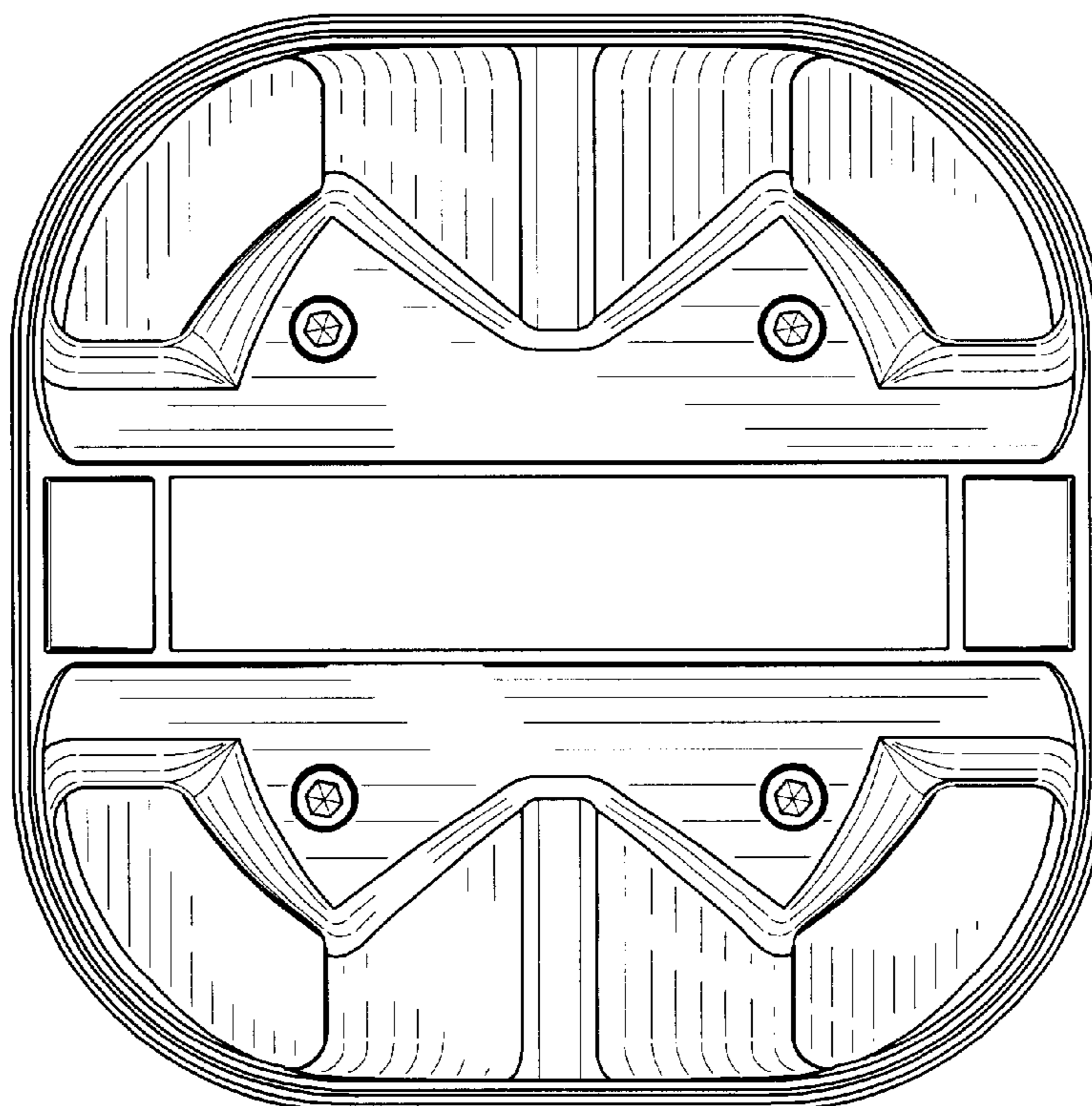


FIG. 4

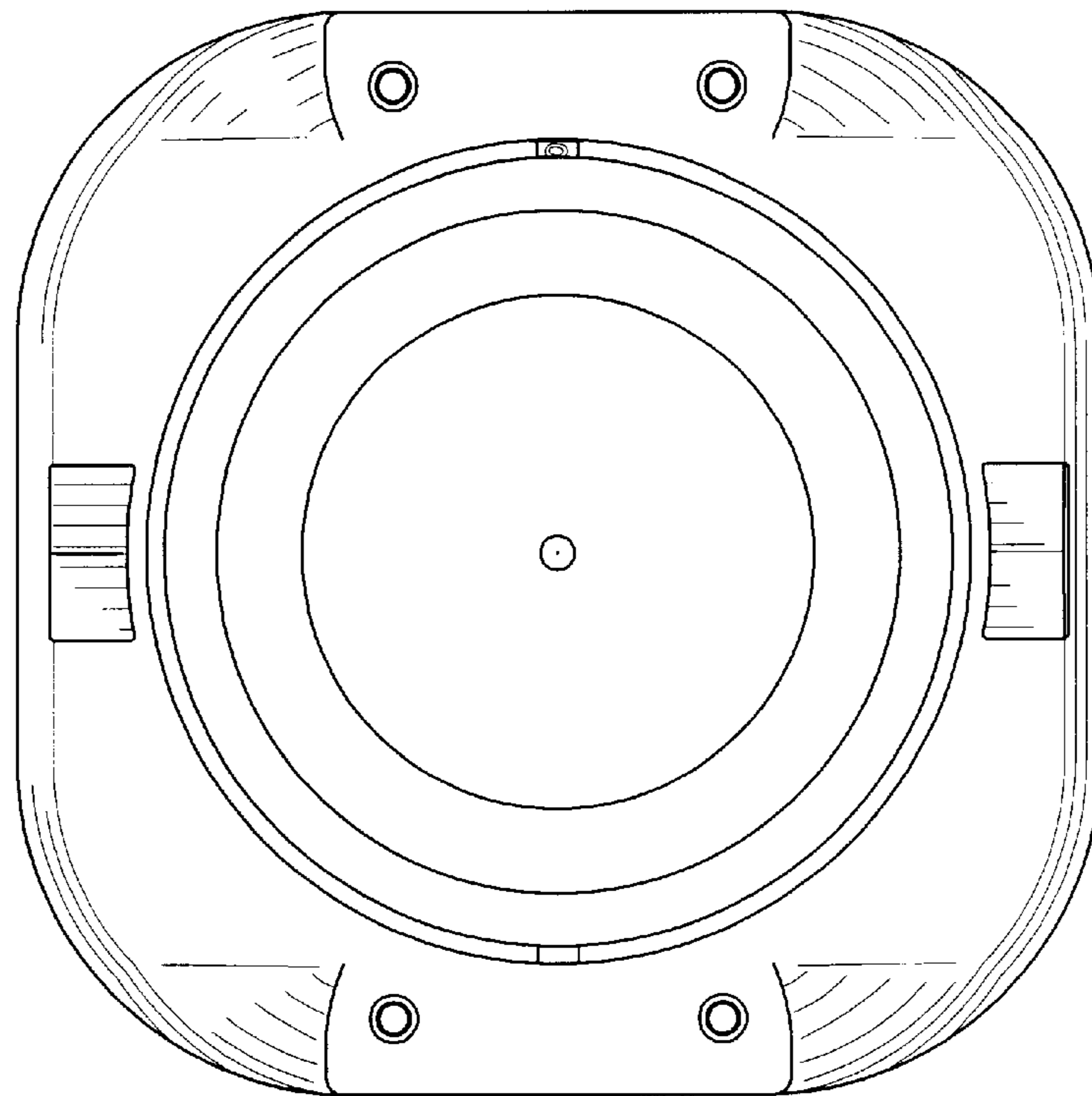


FIG. 5

