



US00D518020S

(12) **United States Design Patent**
Ishibashi

(10) **Patent No.:** **US D518,020 S**
(45) **Date of Patent:** **** Mar. 28, 2006**

(54) **COMBINED VIDEO TAPE RECORDER AND DISC PLAYER**

(75) Inventor: **Yasuhiro Ishibashi**, Tokyo (JP)
(73) Assignee: **Sony Corporation**, Tokyo (JP)
(**) Term: **14 Years**

(21) Appl. No.: **29/221,989**

(22) Filed: **Jan. 26, 2005**

(51) **LOC (8) Cl.** **14-01**

(52) **U.S. Cl.** **D14/162; D14/136**

(58) **Field of Classification Search** D14/258,
D14/257, 217, 198, 197, 196, 195, 194, 193,
D14/188, 168, 167, 162, 156, 136, 135; 455/350,
455/347, 344; 386/91, 68, 52

See application file for complete search history.

(56) **References Cited**

U.S. PATENT DOCUMENTS

D307,425 S	*	4/1990	Shim	D14/135
D311,915 S	*	11/1990	Hong	D14/135
D312,826 S	*	12/1990	Hong	D14/135
D314,197 S	*	1/1991	Ito et al.	D14/156
D323,501 S	*	1/1992	Kim	D14/135
D327,677 S	*	7/1992	Byun	D14/135
D431,546 S	*	10/2000	Ito et al.	D14/167
D432,111 S		10/2000	Takahashi		
D439,228 S		3/2001	Tsuge		
D467,567 S	*	12/2002	Tsuge	D14/156
D472,534 S	*	4/2003	Ueno et al.	D14/136
D475,357 S		6/2003	Tejima		
D494,555 S	*	8/2004	Wu	D14/136
D497,148 S	*	10/2004	Kamata et al.	D14/136
D499,706 S	*	12/2004	Kawano	D14/135
D502,696 S	*	3/2005	Ishibashi	D14/198

OTHER PUBLICATIONS

Web page "SLV-D350P" http://www.sonystyle.com/is-bin/INTERSHOP.enfinity/eCS/Store/en/-/USD/SY_Display-ProductInformation-Start;sid=C5XP19HJBIHPmZEWBN7F3J7HP-I95xHM93I=?ProductSKU=SLVD350P&Dept=hav&CategoryName=hav_DVD_DVDPlayers 1 sheet, Sony (Dec. 2004).

Web page "DVR-S300" http://www.mitsubishielectric.co.jp/dvd/products/dvr_s300/index_b/html, 1 sheet, Mitsubishi Electric Co., Ltd. (Nov. 2004).

Web page "SD-V400" http://www3.toshiba.co.jp/dvd/j/lineup/player/m_sd-v400.html, 1 sheet, Toshiba Corporation (Nov. 2004).

* cited by examiner

Primary Examiner—Cathron C. Brooks

Assistant Examiner—Austin Murphy

(74) *Attorney, Agent, or Firm*—Rader, Fishman & Grauer PLLC

(57) **CLAIM**

The ornamental design for a combined video tape recorder and disc player, as shown.

DESCRIPTION

FIG. 1 is a perspective view of a combined video tape recorder and disc player showing my new design; FIG. 2 is a front elevational view thereof; FIG. 3 is a rear elevational view thereof; FIG. 4 is a left side elevational view thereof; FIG. 5 is a right side elevational view thereof; FIG. 6 is a top plan view thereof; and, FIG. 7 is a bottom plan view thereof.

1 Claim, 4 Drawing Sheets

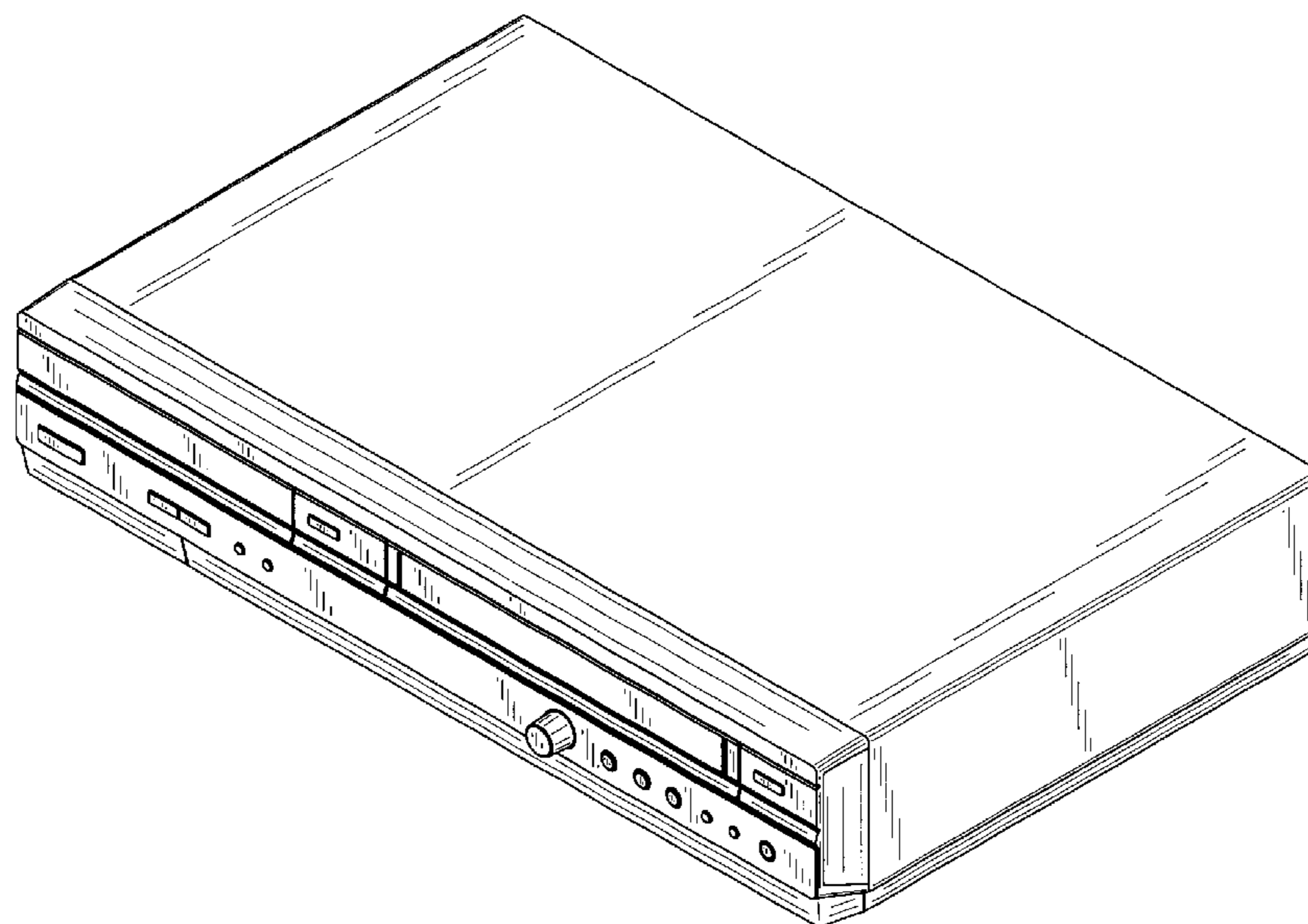


FIG. 1

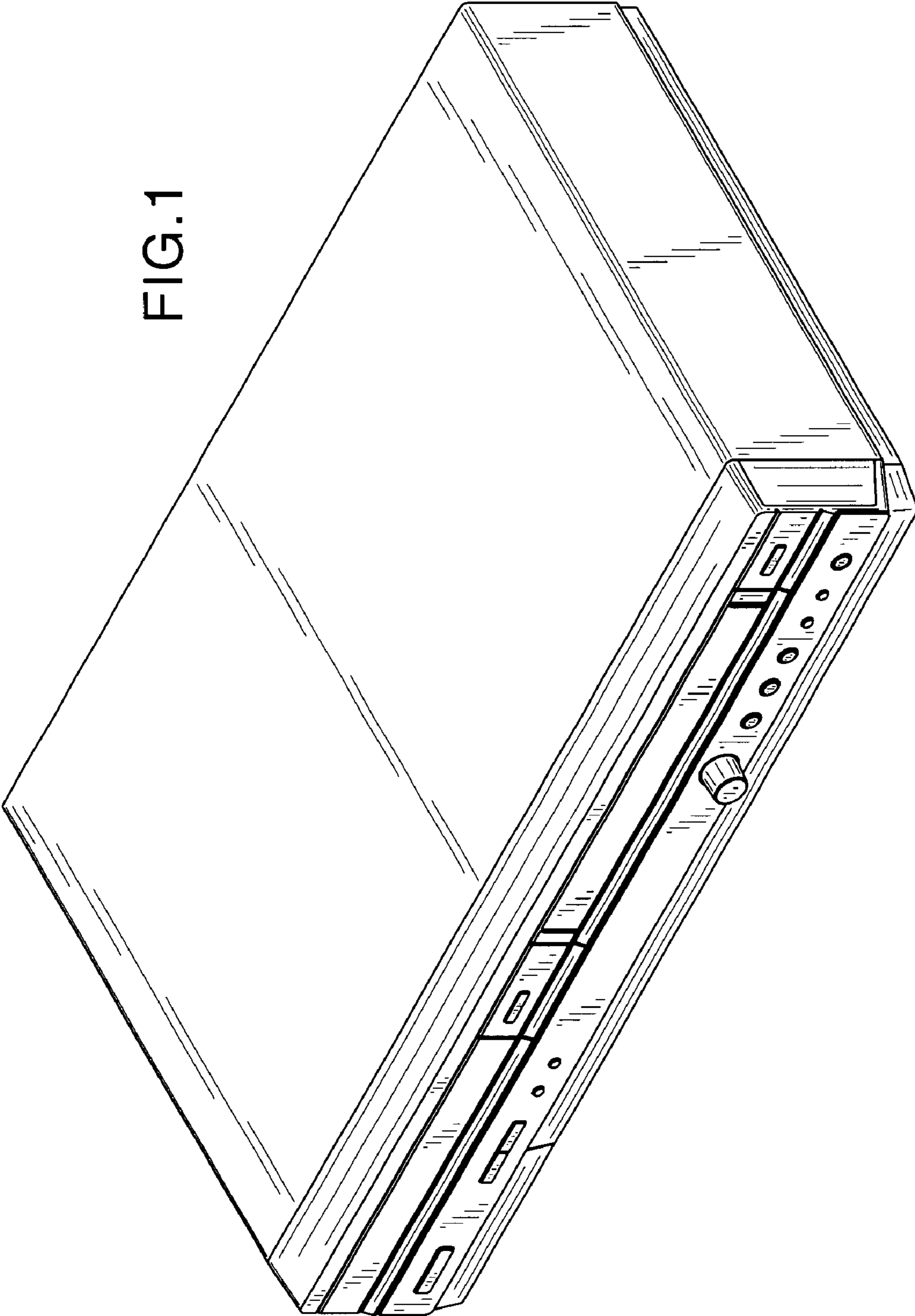


FIG.2

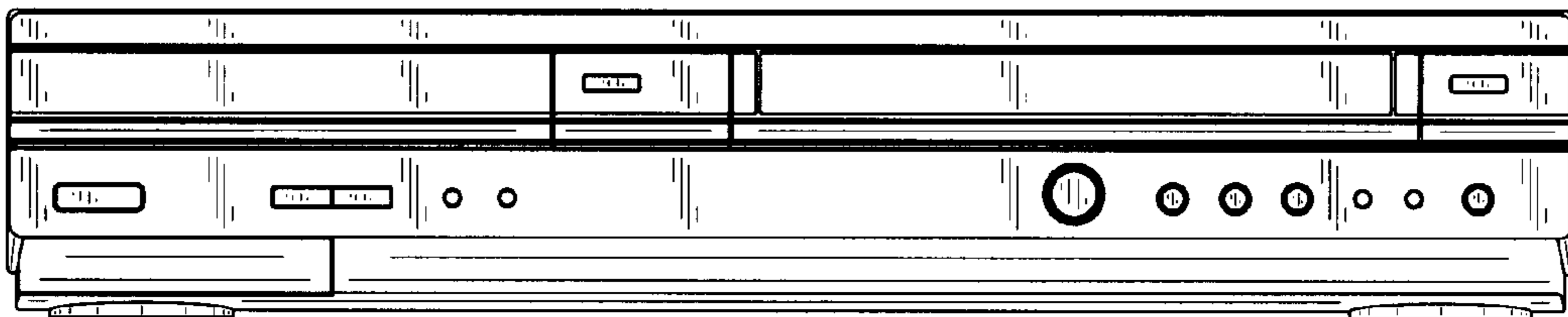


FIG.3

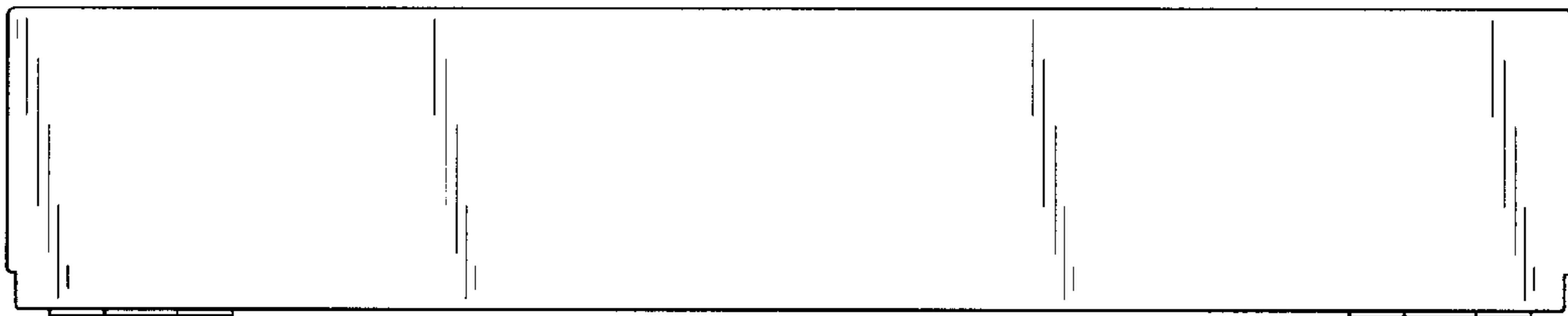


FIG.4

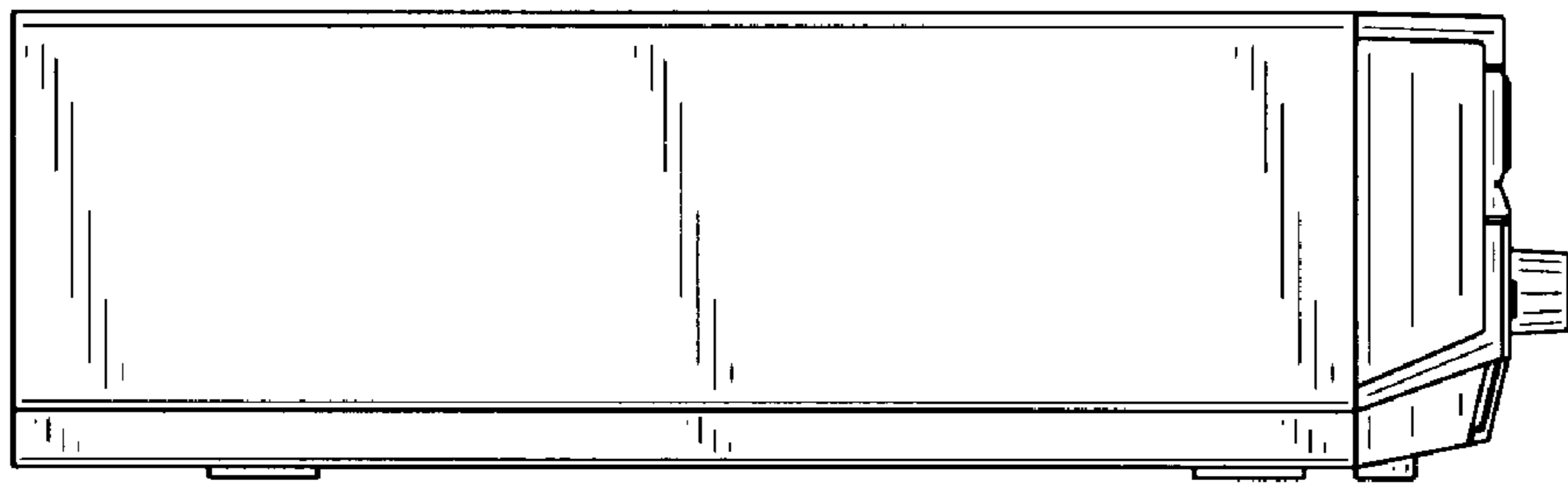


FIG.5

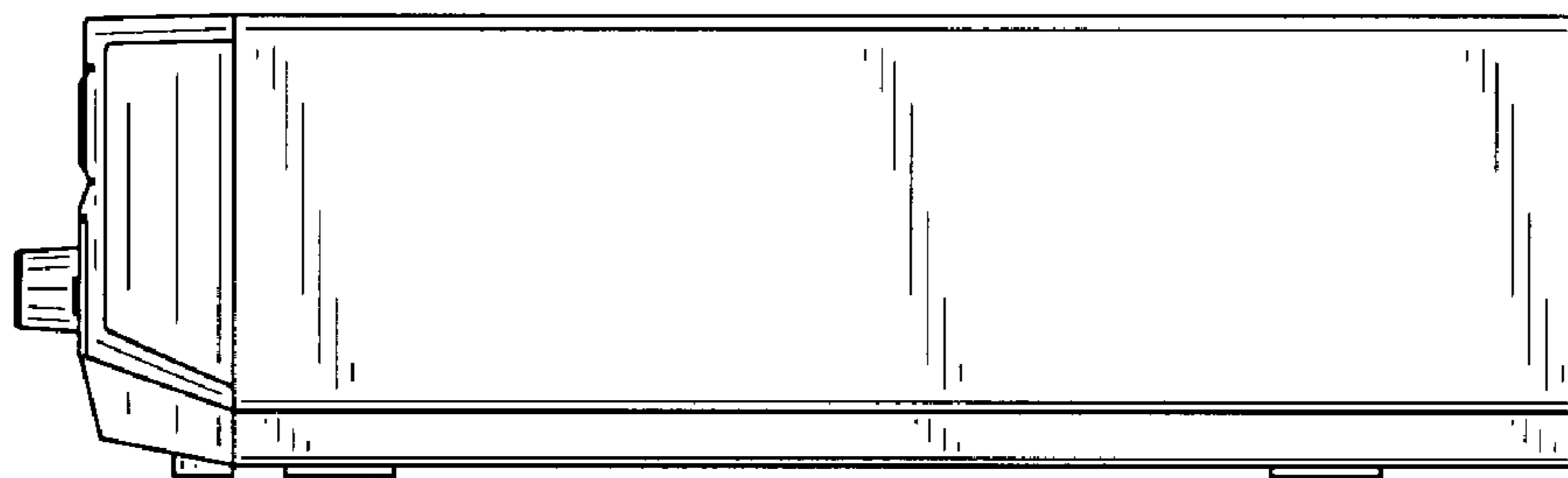


FIG.6

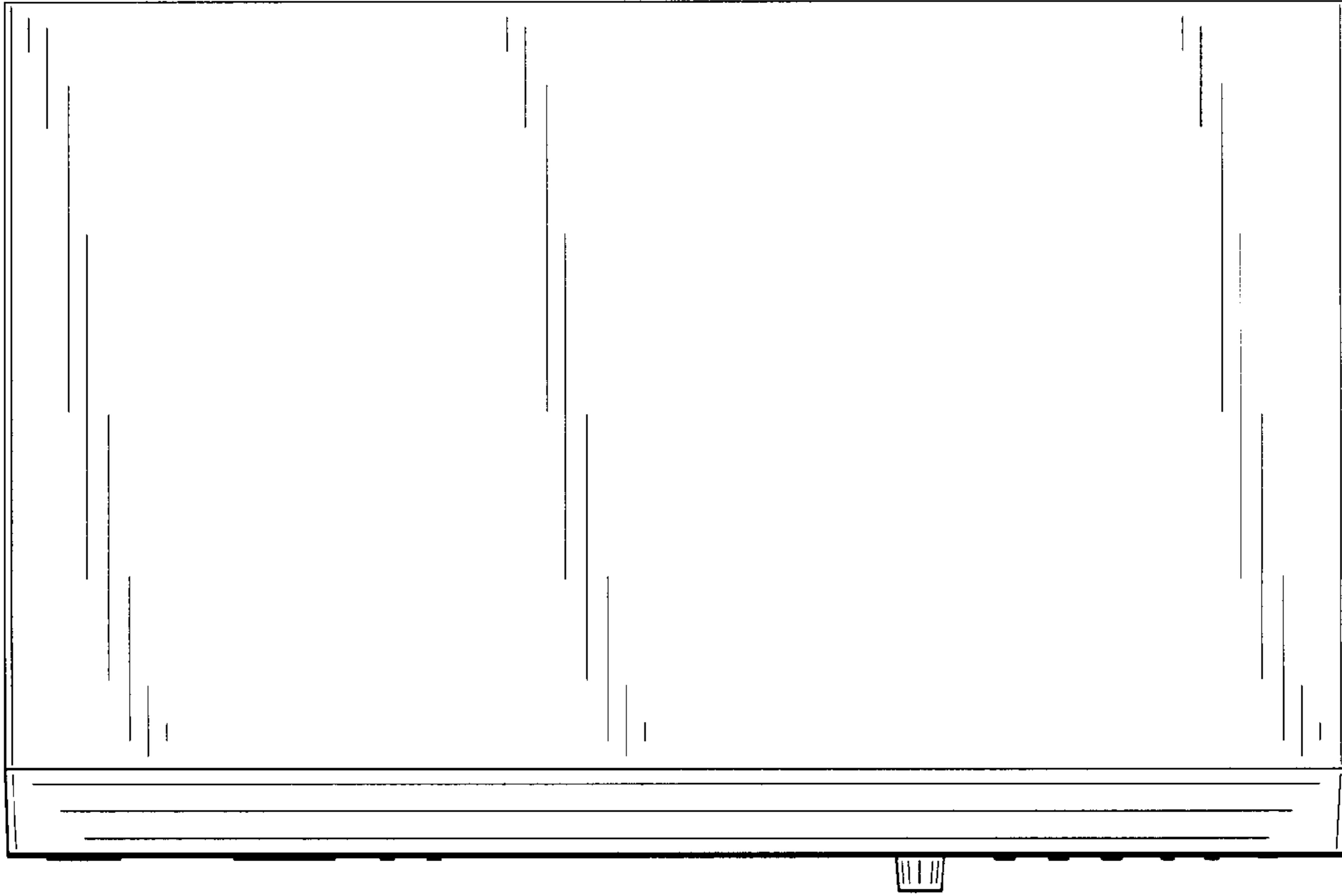


FIG.7

