



US00D518019S

(12) **United States Design Patent**
Ching

(10) **Patent No.:** **US D518,019 S**

(45) **Date of Patent:** **** Mar. 28, 2006**

(54) **MP3 PLAYER**

(75) Inventor: **Chan Ching**, Taipei Hsien (TW)

(73) Assignee: **Perfect Union Co., Ltd.**, Taipei Hsien (TW)

(**) Term: **14 Years**

(21) Appl. No.: **29/227,028**

(22) Filed: **Apr. 6, 2005**

(51) **LOC (8) Cl.** **14-01**

(52) **U.S. Cl.** **D14/156**

(58) **Field of Classification Search** D14/135-136,
D14/156-157, 160-165, 167-168, 192-198,
D14/188, 217, 4; 360/99.02, 99.07; 369/75.11,
369/75.21, 77.21, 77.11; 720/612, 619, 647,
720/655; 455/344, 347-351

See application file for complete search history.

(56) **References Cited**

U.S. PATENT DOCUMENTS

5,654,846 A * 8/1997 Wicks et al. 360/97.01

D488,483 S * 4/2004 Hu D14/496

D489,052 S * 4/2004 Shiraki et al. D14/156

D500,298 S * 12/2004 Yang D14/156

* cited by examiner

Primary Examiner—Nanda Bondade

(74) *Attorney, Agent, or Firm*—Troxell Law Office, PLLC

(57) **CLAIM**

The ornamental design for a MP3 player, as shown and described.

DESCRIPTION

FIG. 1 is a top front and right side perspective view of a MP3 player showing my new design;

FIG. 2 is a front elevational view thereof;

FIG. 3 is a rear elevational view thereof;

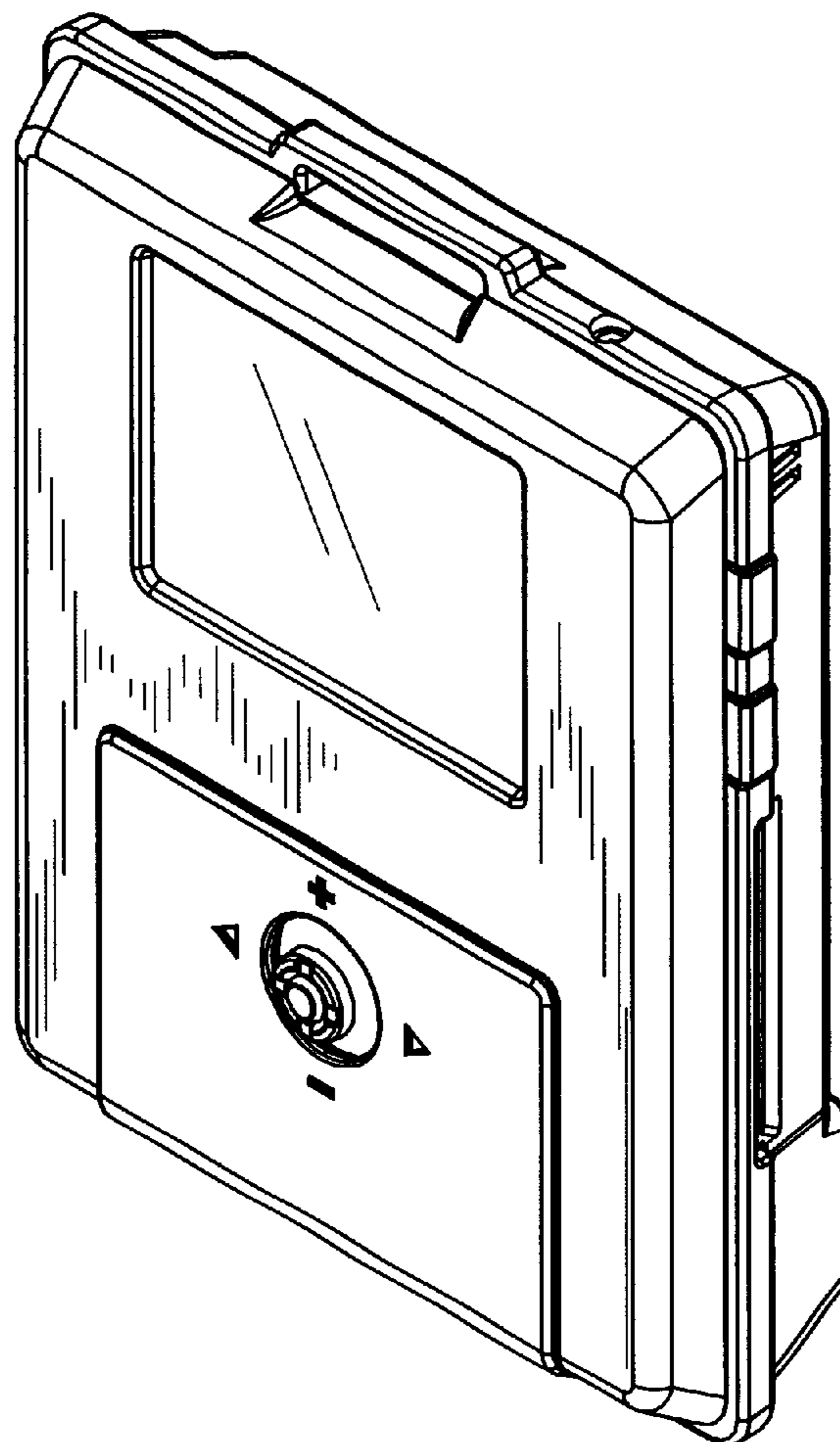
FIG. 4 is a left side elevational view thereof;

FIG. 5 is a right side elevational view thereof;

FIG. 6 is a top plan view thereof; and,

FIG. 7 is a bottom plan view thereof.

1 Claim, 4 Drawing Sheets



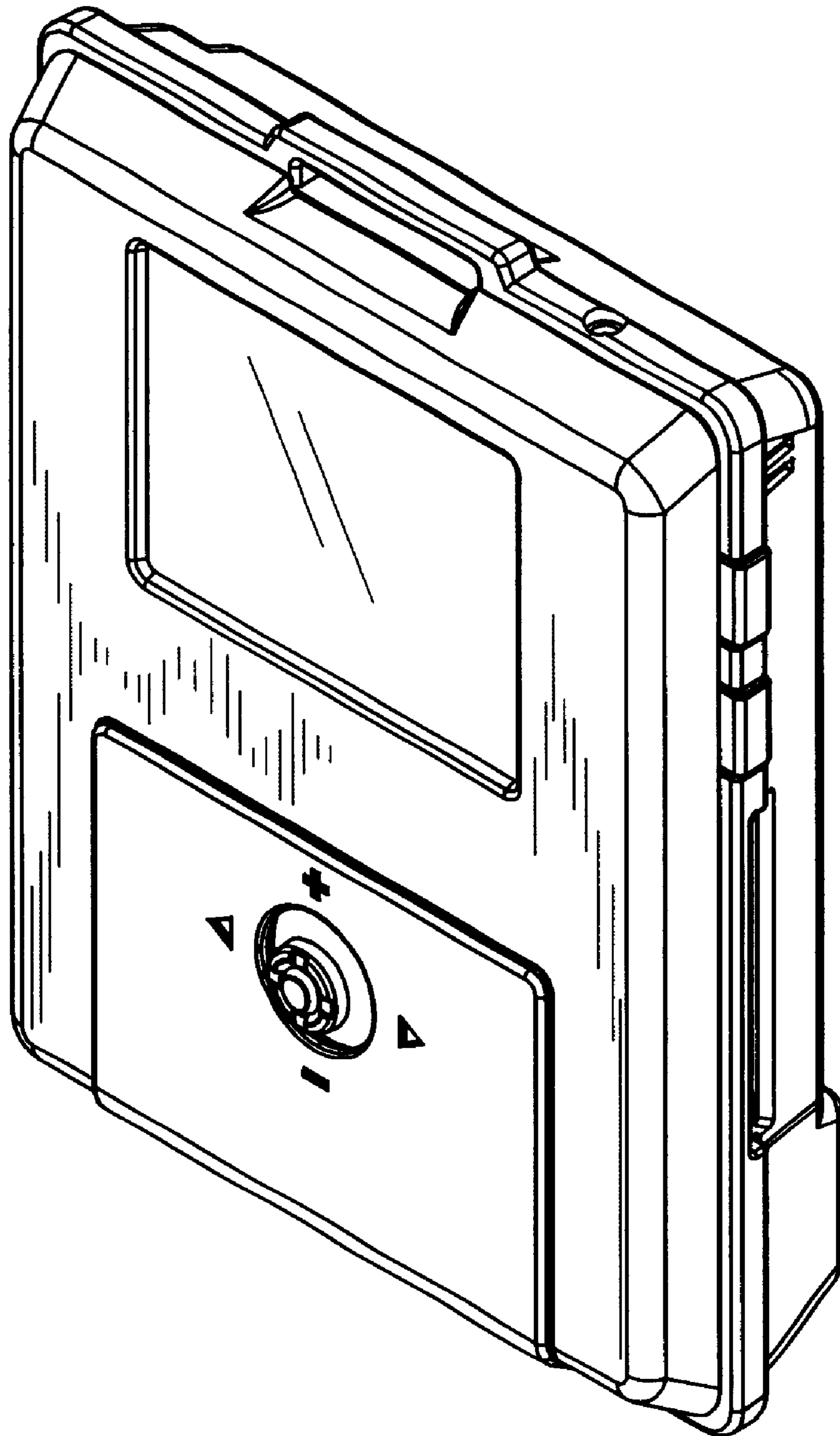


Fig. 1

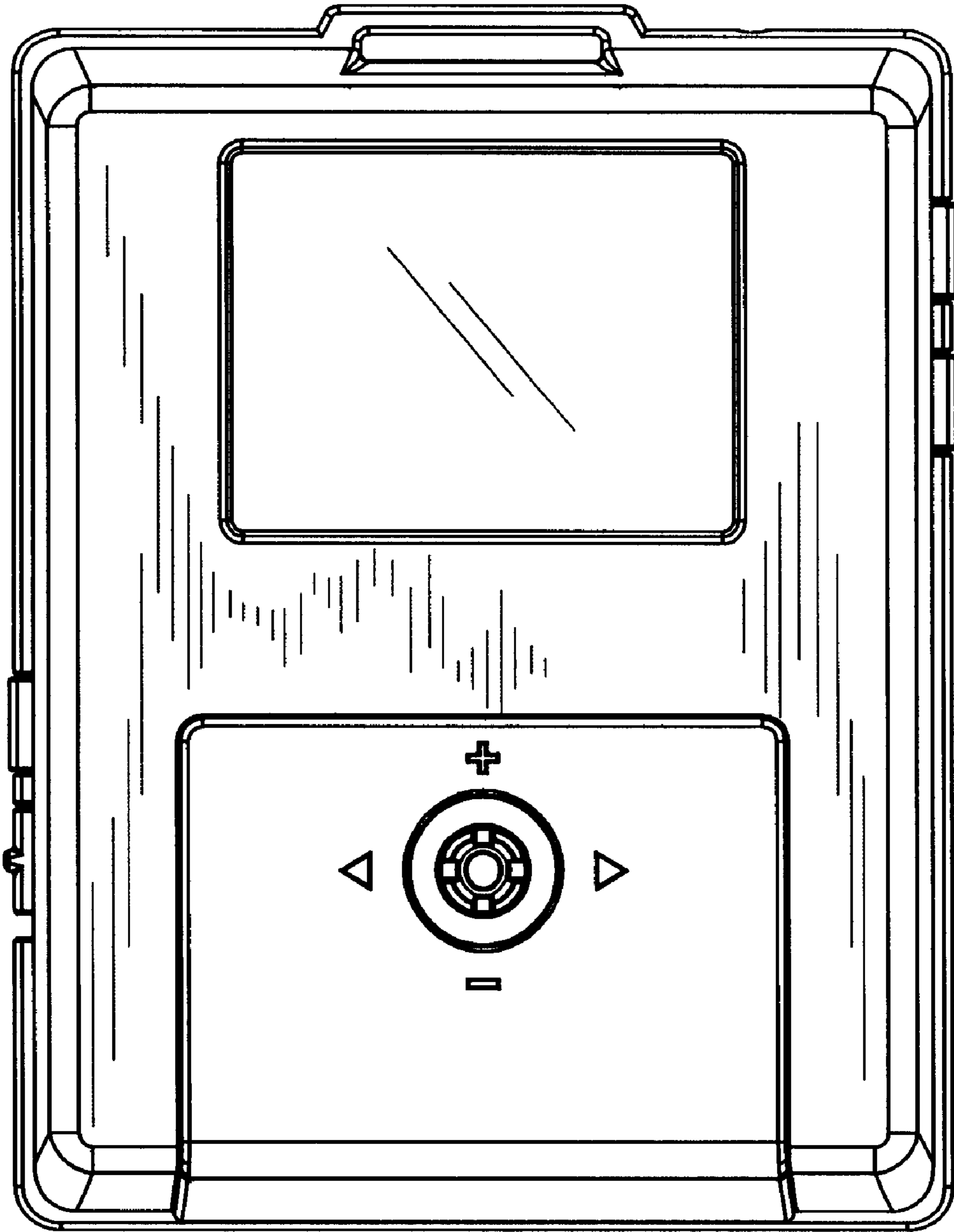


Fig. 2

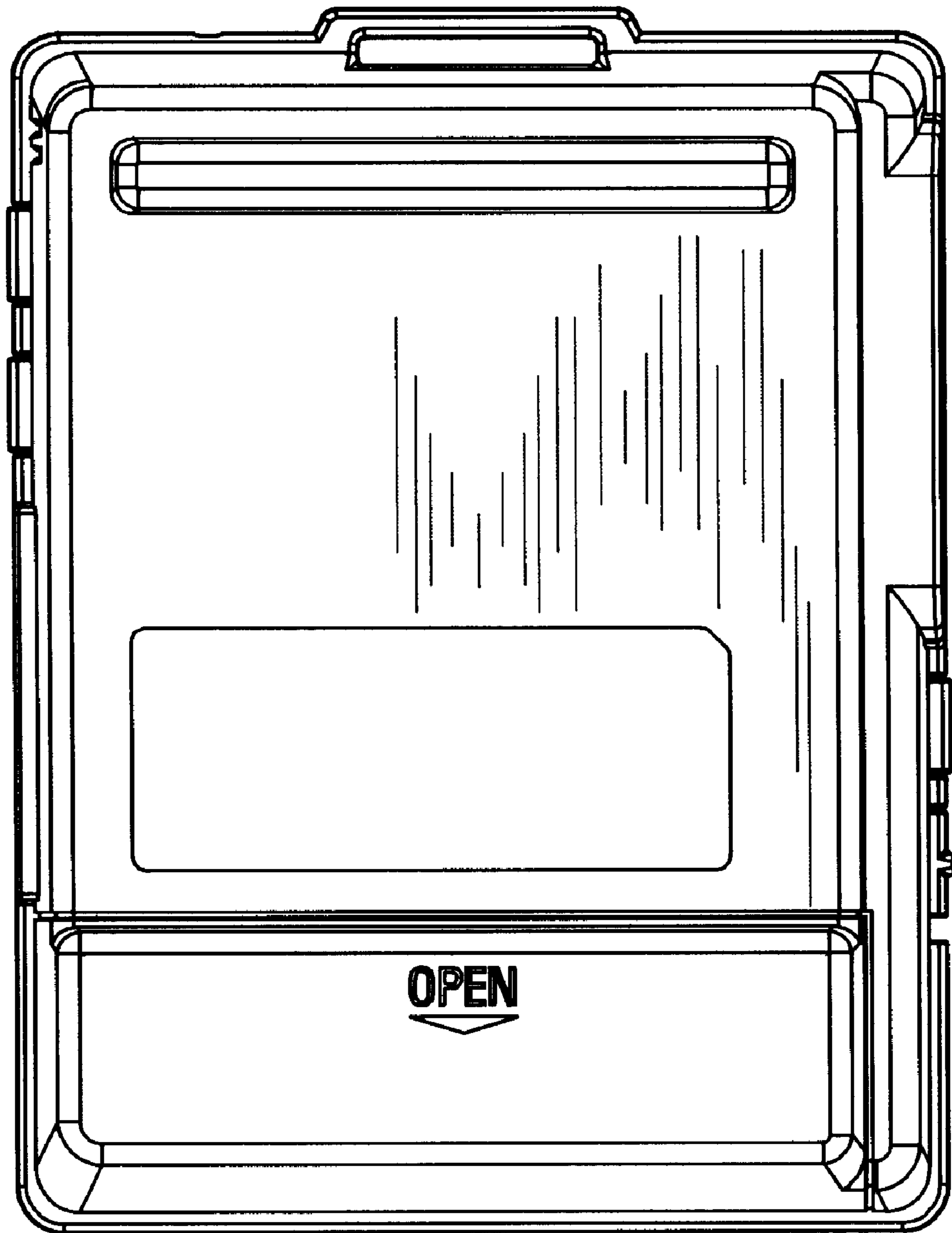


Fig. 3

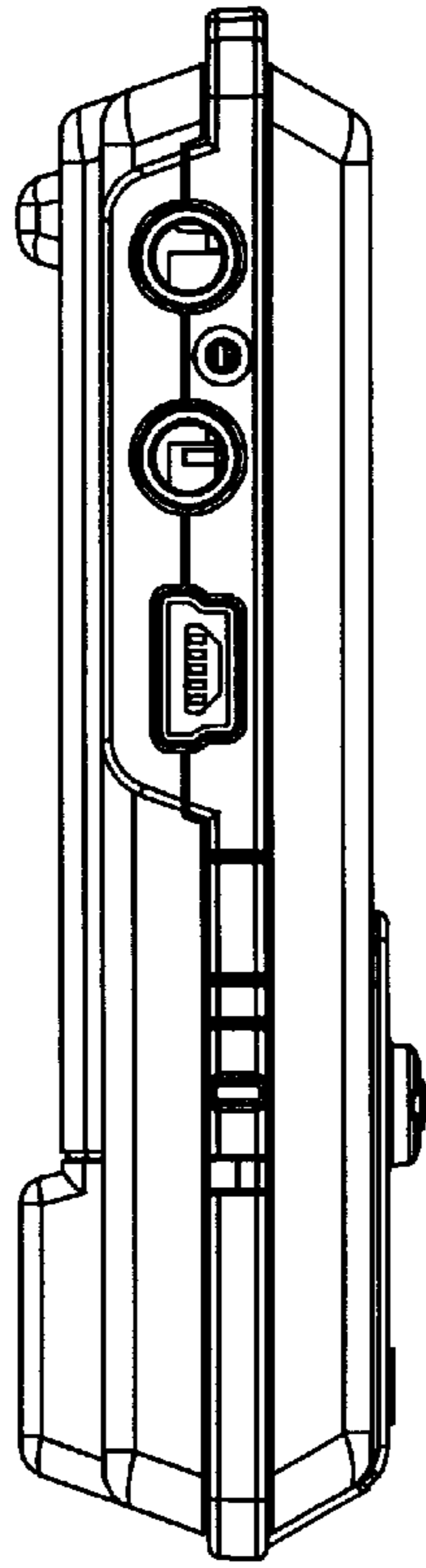


Fig. 4

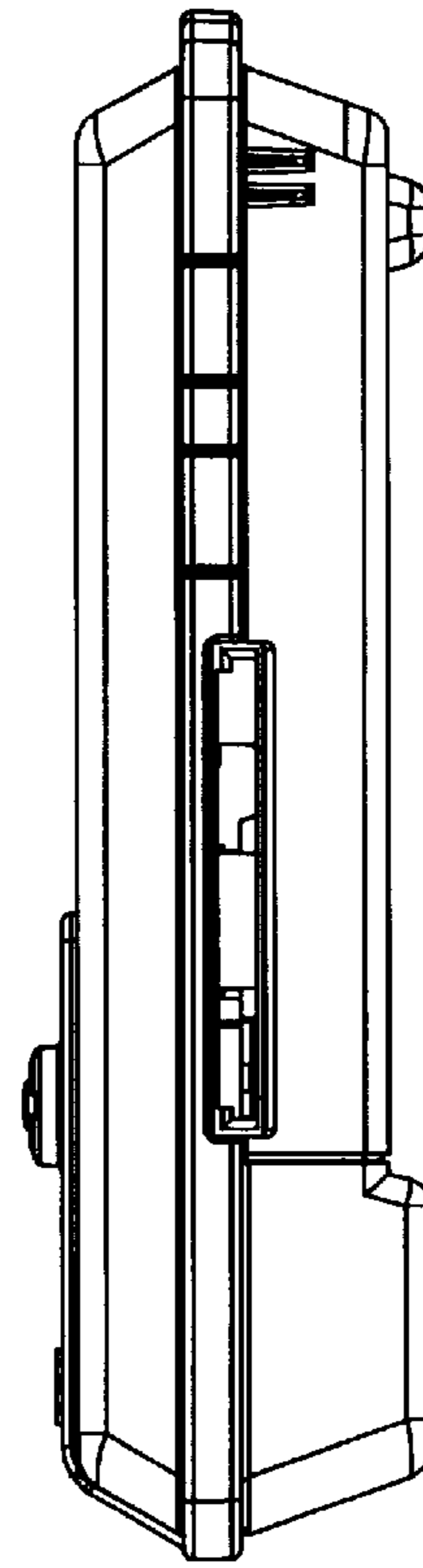


Fig. 5

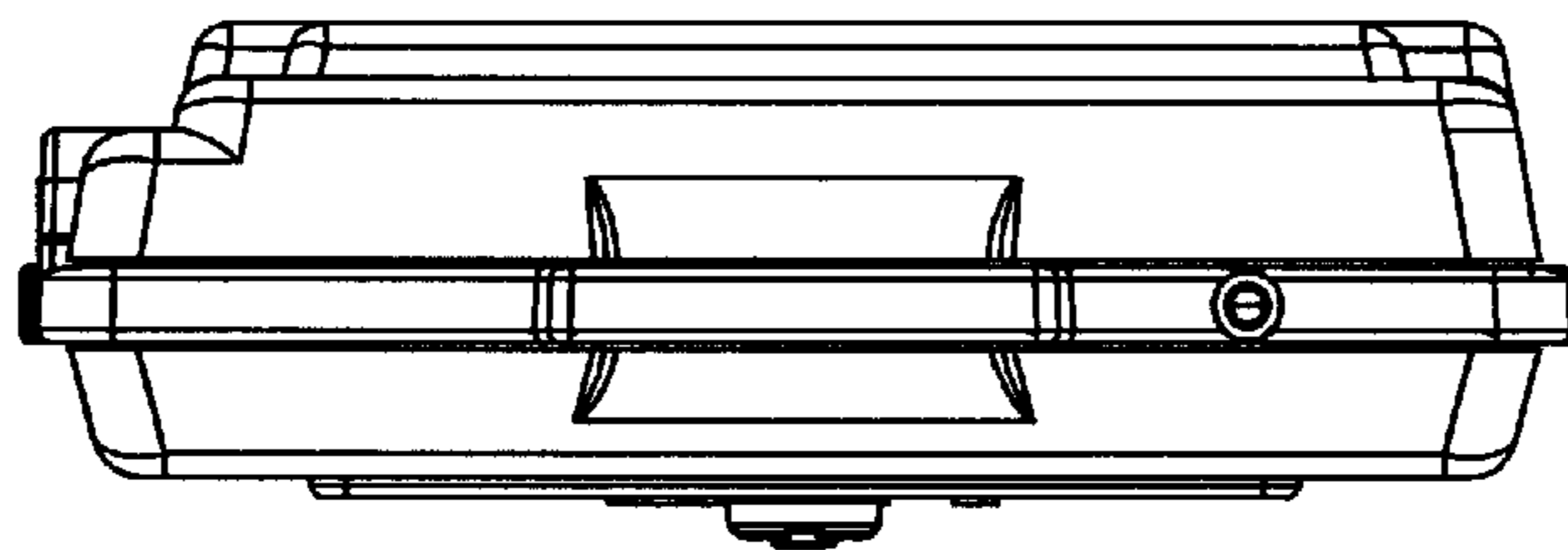


Fig. 6

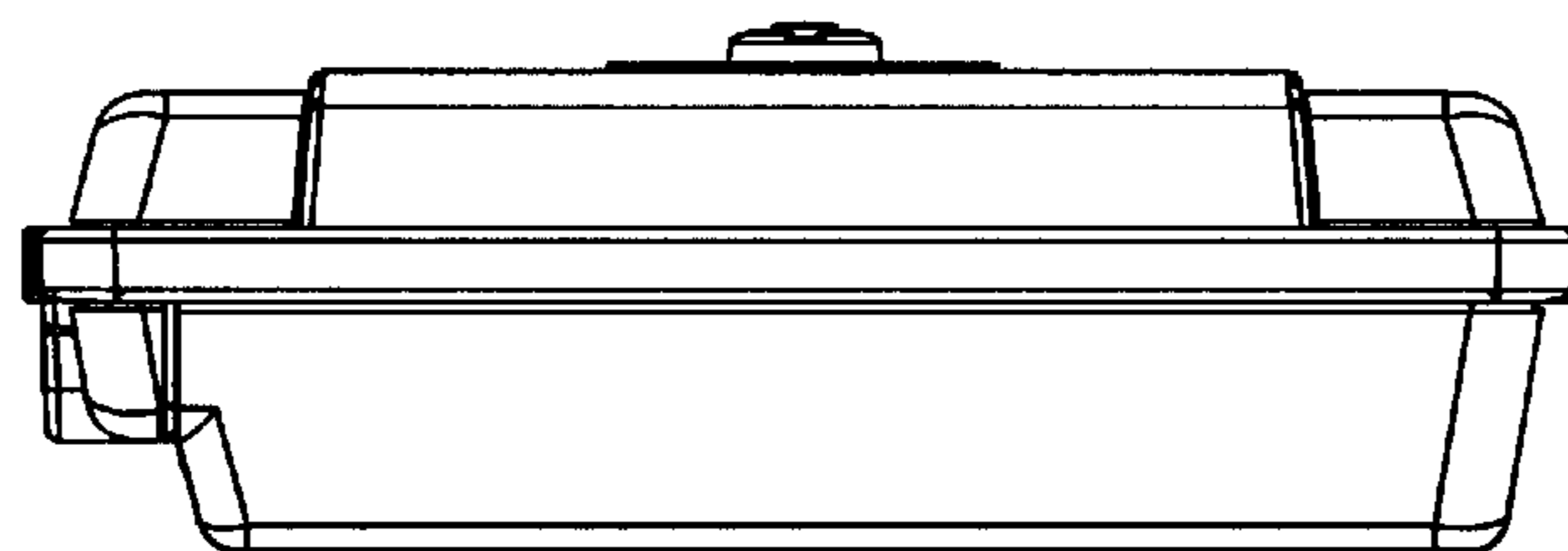


Fig. 7