



US00D518016S

(12) **United States Design Patent**  
**Hirano**

(10) **Patent No.:** **US D518,016 S**  
(45) **Date of Patent:** **\*\* Mar. 28, 2006**

(54) **DISC PLAYER**

(75) Inventor: **Shinpei Hirano**, Tokyo (JP)

(73) Assignee: **Sony Corporation**, Tokyo (JP)

(\*\*) Term: **14 Years**

(21) Appl. No.: **29/218,443**

(22) Filed: **Dec. 3, 2004**

(51) **LOC (8) Cl.** ..... **14-01**

(52) **U.S. Cl.** ..... **D14/156**

(58) **Field of Classification Search** ..... D14/135-136,  
D14/156-157, 160-165, 167-168, 192-198,  
D14/188, 217, 257, 258, 445; 360/99.02,  
360/99.07; 369/75.11, 75.21, 77.21, 77.11;  
720/612, 619, 647, 655; 455/344, 347-351  
See application file for complete search history.

(56) **References Cited**

**U.S. PATENT DOCUMENTS**

D376,800 S	*	12/1996	Shudo	.....	D14/197
D431,544 S		10/2000	Kobayashi		
D462,942 S	*	9/2002	Murakami	.....	D14/156
D488,796 S		4/2004	Hirano		
D499,080 S	*	11/2004	Matsuoka	.....	D14/156

**OTHER PUBLICATIONS**

Web page "TRAC CD Walkman player D-NE300" [http://news.selsony.com/digitalimages/photo?photo\\_id=155265](http://news.selsony.com/digitalimages/photo?photo_id=155265),  
1 sheet, Sony (Sep. 2004).

Web page "Psyc CD Walkman D-NE300" [http://news.selsony.com/digitalimages/photo?photo\\_id=157773](http://news.selsony.com/digitalimages/photo?photo_id=157773), 1 sheet,  
Sony (Sep. 2004).

\* cited by examiner

*Primary Examiner*—Nanda Bondade

(74) *Attorney, Agent, or Firm*—Rader, Fishman & Grauer  
PLLC

(57) **CLAIM**

The ornamental design for a disc player, as shown and  
described.

**DESCRIPTION**

FIG. 1 is a perspective view of a disc player showing my  
new design;

FIG. 2 is a front elevational view thereof;

FIG. 3 is a rear elevational view thereof;

FIG. 4 is a left side elevational view thereof;

FIG. 5 is a right side elevational view thereof;

FIG. 6 is a top plan view thereof; and,

FIG. 7 is a bottom plan view thereof.

Portions of the figures that are shown as broken lines are for  
illustrative purpose only and form no part of the claimed  
design.

**1 Claim, 4 Drawing Sheets**

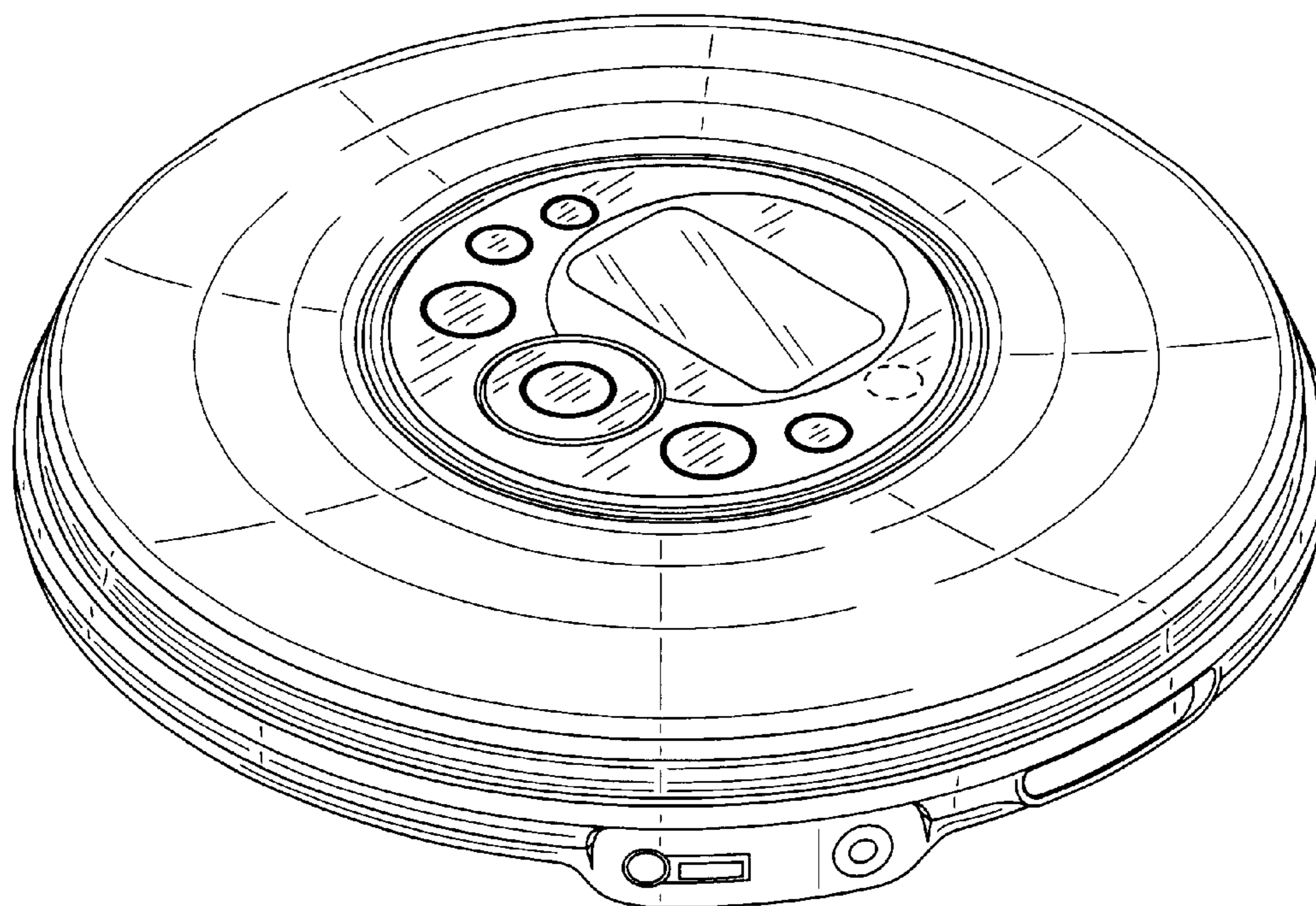


Fig.1

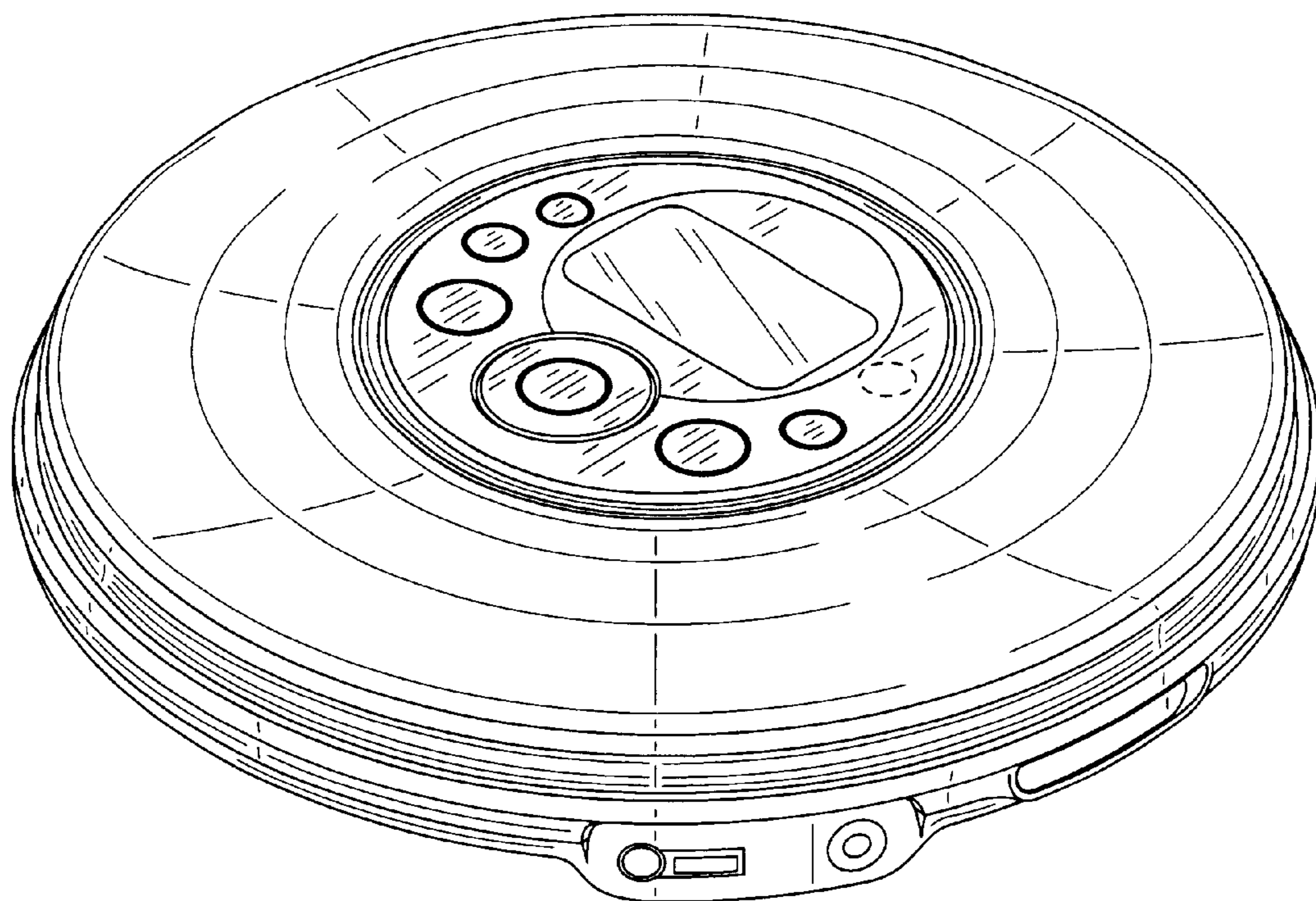


Fig.2

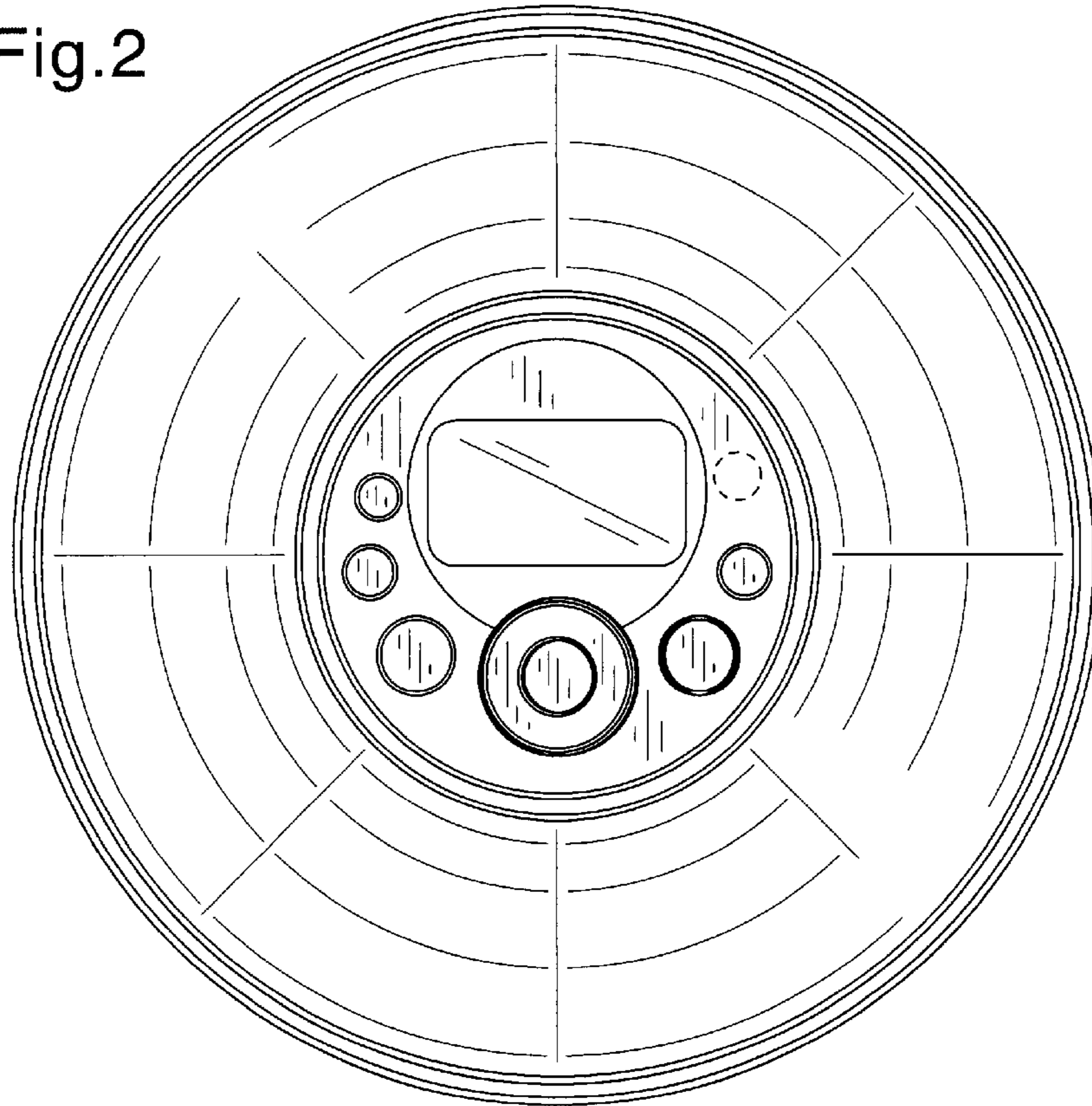


Fig.3

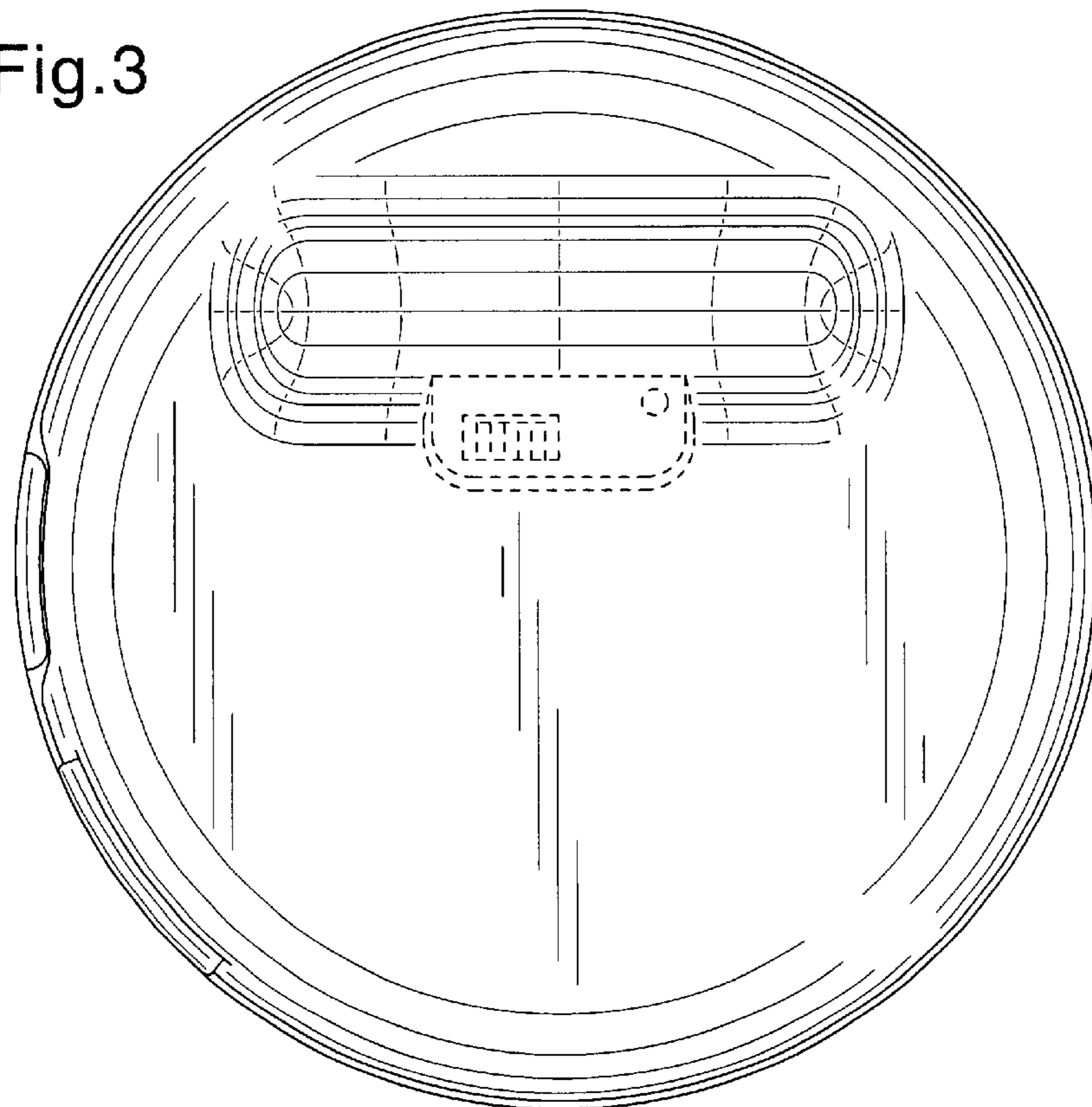




Fig.4

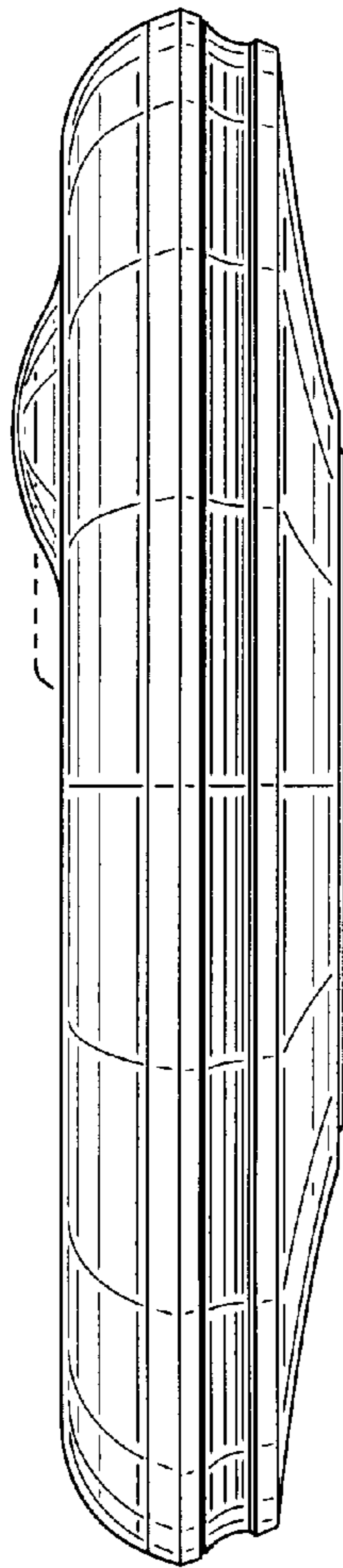


Fig.5

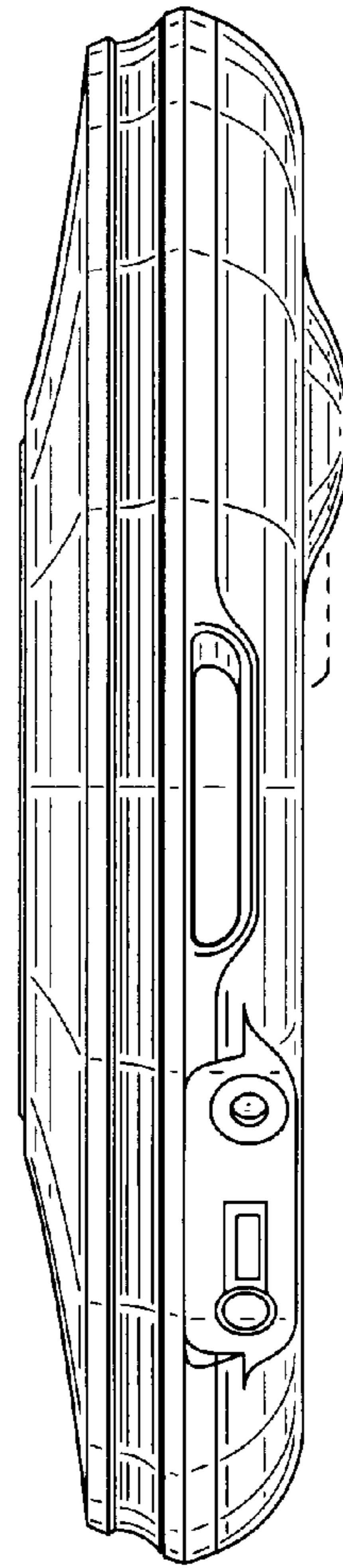


Fig.6

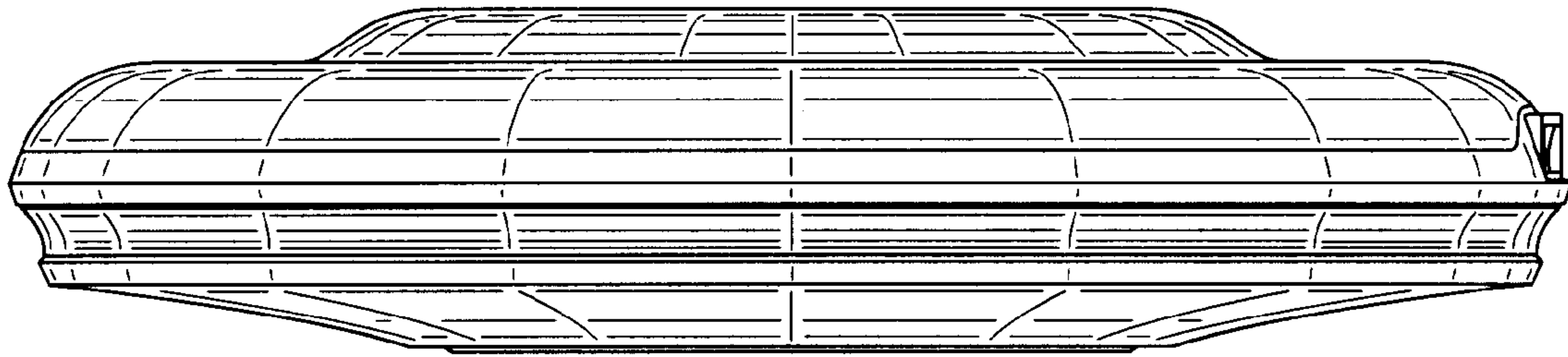


Fig.7

