



US00D518013S

(12) **United States Design Patent**  
**Fuxen**

(10) **Patent No.:** **US D518,013 S**  
(45) **Date of Patent:** **\*\* Mar. 28, 2006**

(54) **MOBILE PHONE**

(75) Inventor: **David Fuxen**, Munich (DE)

(73) Assignee: **Siemens Aktiengesellschaft**, Munich (DE)

(\*\*) Term: **14 Years**

(21) Appl. No.: **29/213,350**

(22) Filed: **Sep. 16, 2004**

(51) **LOC (8) Cl.** ..... **14-03**

(52) **U.S. Cl.** ..... **D14/138**

(58) **Field of Classification Search** ..... D14/137,  
D14/138, 147-148, 247-248, 144, 341-347;  
379/433.01-433.13, 434; D21/517; 455/575.3,  
455/566, 575.1; 345/169

See application file for complete search history.

(56) **References Cited**

U.S. PATENT DOCUMENTS

D432,510 S	*	10/2000	Hyun	.....	D14/138
D438,184 S	*	2/2001	Suzuki et al.	.....	D14/138
D443,866 S	*	6/2001	Arbisi et al.	.....	D14/138
D446,201 S	*	8/2001	Kim	.....	D14/138
D449,284 S	*	10/2001	Kim et al.	.....	D14/138
D463,386 S	*	9/2002	Chun et al.	.....	D14/138
D465,467 S	*	11/2002	Nagai et al.	.....	D14/138
D468,713 S	*	1/2003	Lee et al.	.....	D14/138
D469,070 S	*	1/2003	Lee	.....	D14/138
D474,168 S	*	5/2003	Wang et al.	.....	D14/138
D477,581 S	*	7/2003	Iijima et al.	.....	D14/138
D481,697 S	*	11/2003	Rausch et al.	.....	D14/138
D483,342 S	*	12/2003	Lee et al.	.....	D14/138
D485,818 S	*	1/2004	Yabe et al.	.....	D14/138
D486,463 S	*	2/2004	Hwang	.....	D14/138
D488,143 S	*	4/2004	Ting et al.	.....	D14/138
D490,389 S	*	5/2004	Yang	.....	D14/138
D490,792 S	*	6/2004	Lee	.....	D14/138
D494,559 S	*	8/2004	Fuxen	.....	D14/138
D496,019 S	*	9/2004	Okada et al.	.....	D14/138

D497,604 S	*	10/2004	Lee	.....	D14/138
D497,893 S	*	11/2004	Hwang et al.	.....	D14/138
D502,457 S	*	3/2005	Eigenstetter et al.	.....	D14/138
D502,458 S	*	3/2005	Chung et al.	.....	D14/138
D502,691 S	*	3/2005	Fuxen	.....	D14/138
D506,453 S	*	6/2005	Choi et al.	.....	D14/138
D508,037 S	*	8/2005	Joung	.....	D14/138
D508,239 S	*	8/2005	Kim et al.	.....	D14/138
D508,475 S	*	8/2005	Wu et al.	.....	D14/138
2004/0097258 A1	*	5/2004	Lee et al.	.....	455/550.1
2004/0110540 A1	*	6/2004	Sato et al.	.....	455/566
2004/0192220 A1	*	9/2004	Huang et al.	.....	455/74
2004/0203536 A1	*	10/2004	Chao et al.	.....	455/90.3
2005/0075082 A1	*	4/2005	Iwai et al.	.....	455/90.3
2005/0176475 A1	*	8/2005	Sawamura	.....	455/575.3

FOREIGN PATENT DOCUMENTS

JP	1154363	*	9/2002
JP	1167128	*	1/2003
JP	1167658	*	3/2003
JP	1190601	*	11/2003

\* cited by examiner

*Primary Examiner*—Jeffrey Asch

(74) *Attorney, Agent, or Firm*—Bell, Boyd & Lloyd LLC

(57) **CLAIM**

I claim the ornamental design for a mobile phone, as shown and described.

**DESCRIPTION**

FIG. 1 is a front elevational view of a mobile phone of the claimed design.

FIG. 2 is a rear elevational view of the mobile phone of FIG. 1.

FIG. 3 is a top view of the mobile phone of FIG. 1.

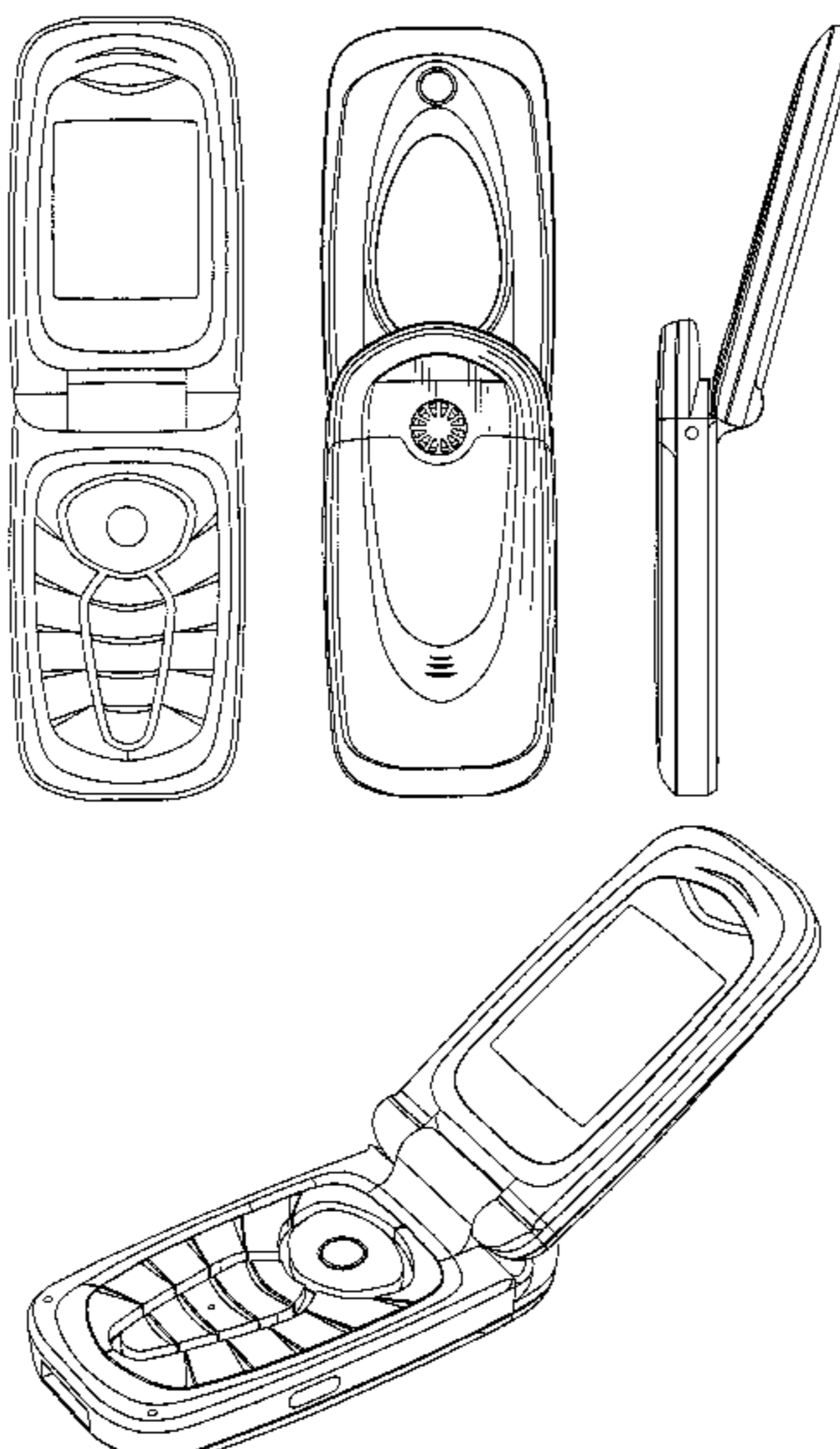
FIG. 4 is a bottom view of the mobile phone of FIG. 1.

FIG. 5 is a right side view of the mobile phone of FIG. 1.

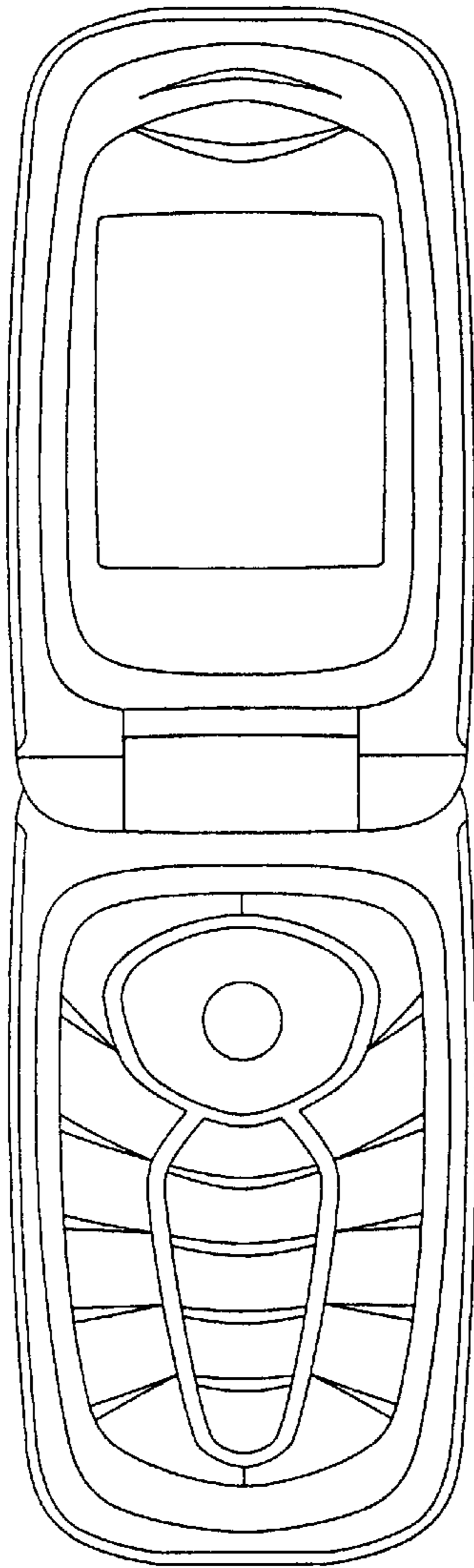
FIG. 6 is a left side view of the mobile phone of FIG. 1; and,

FIG. 7 is a perspective view of the mobile phone of FIG. 1.

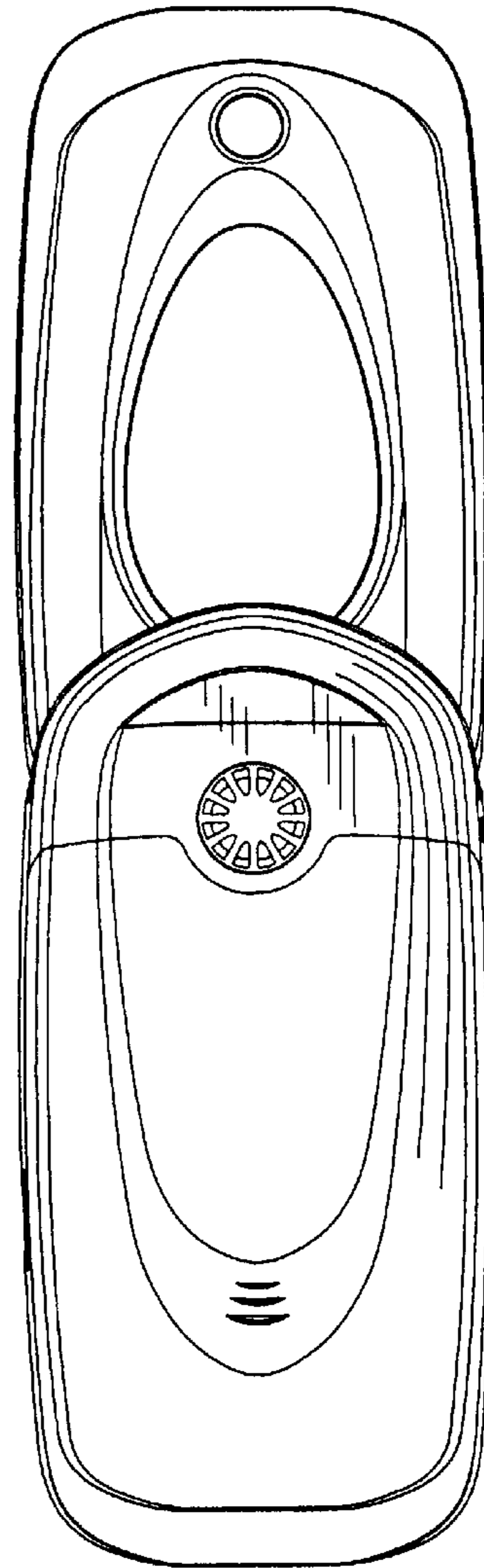
**1 Claim, 2 Drawing Sheets**



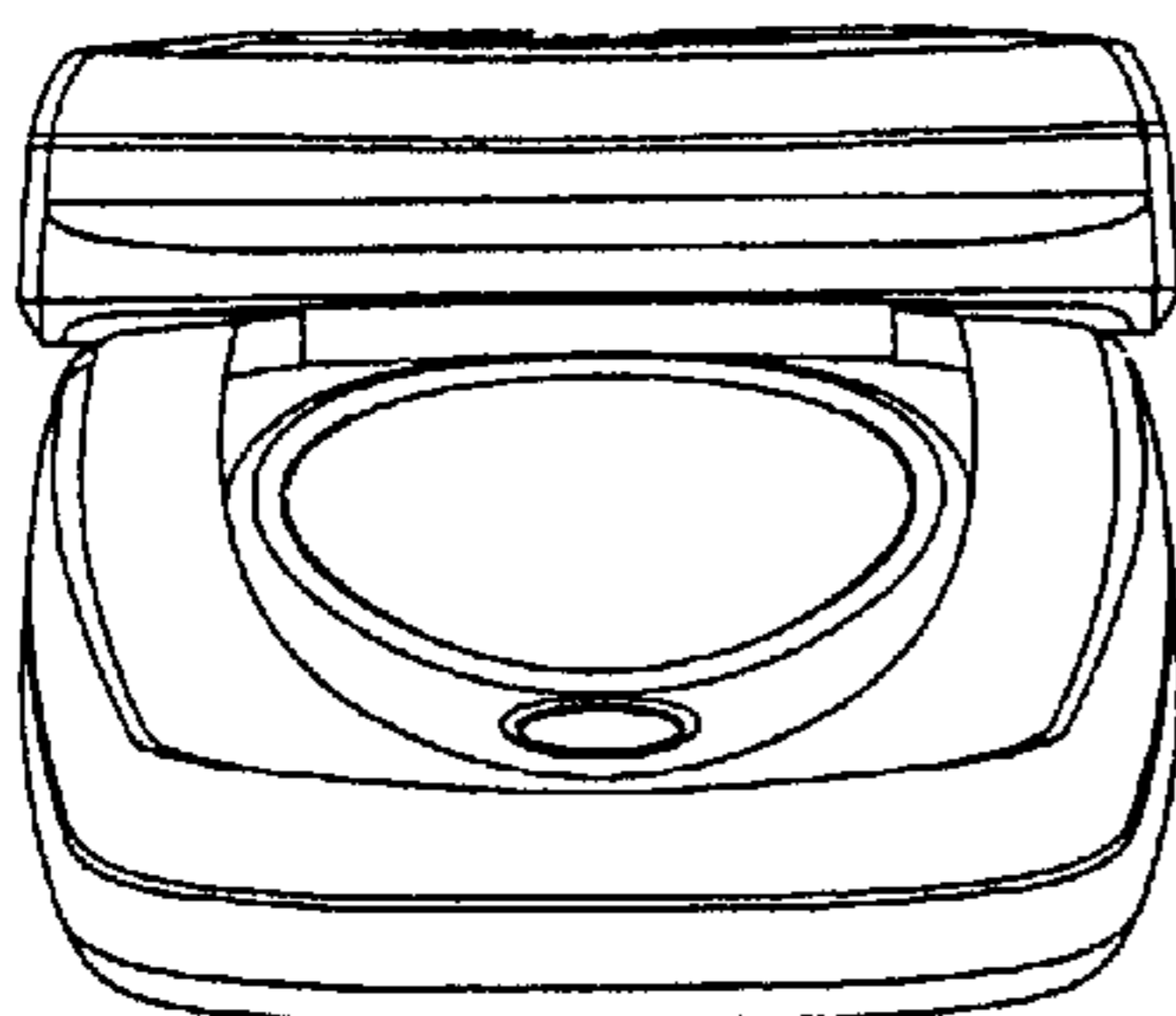
**FIG. 1**



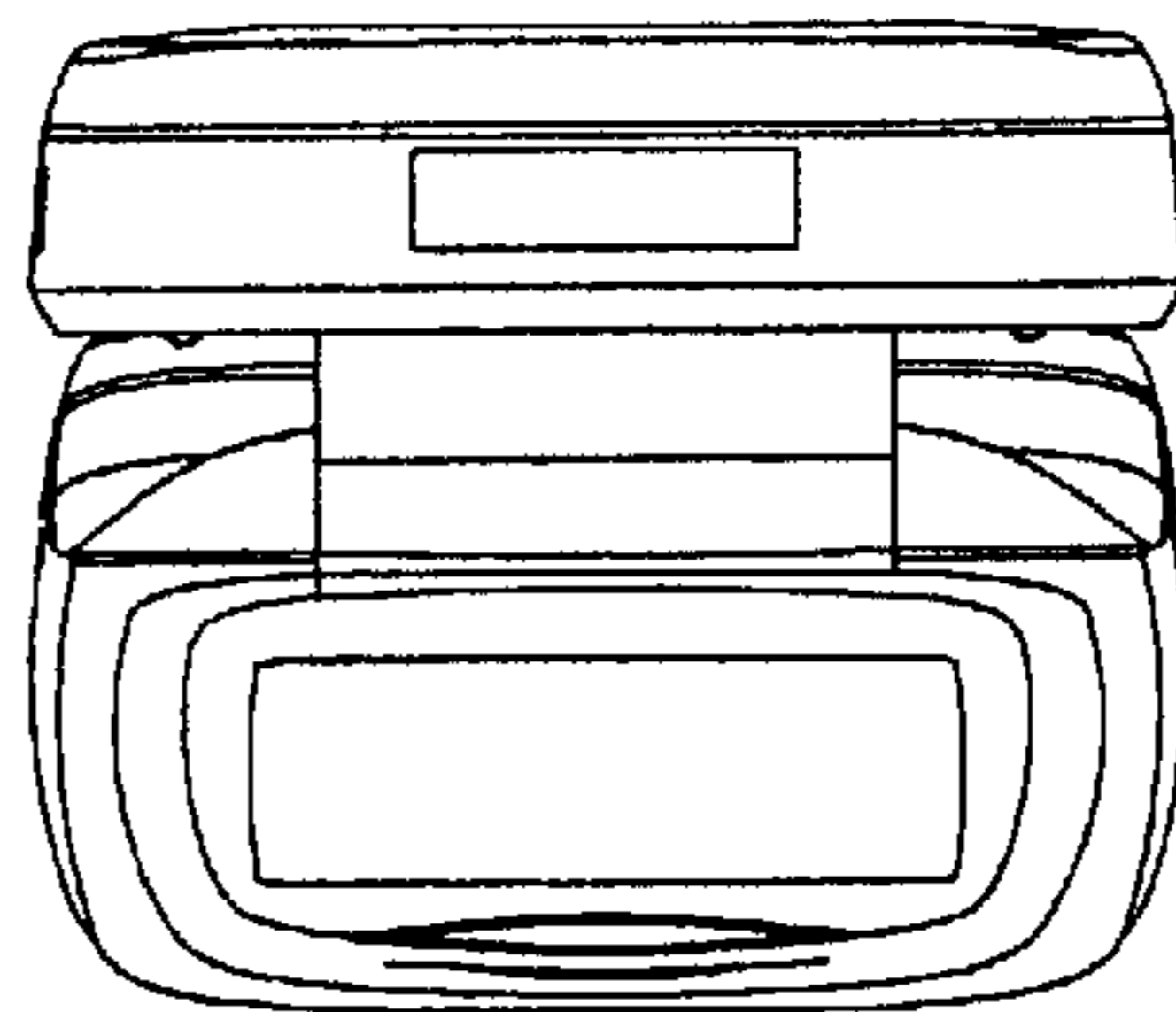
**FIG. 2**



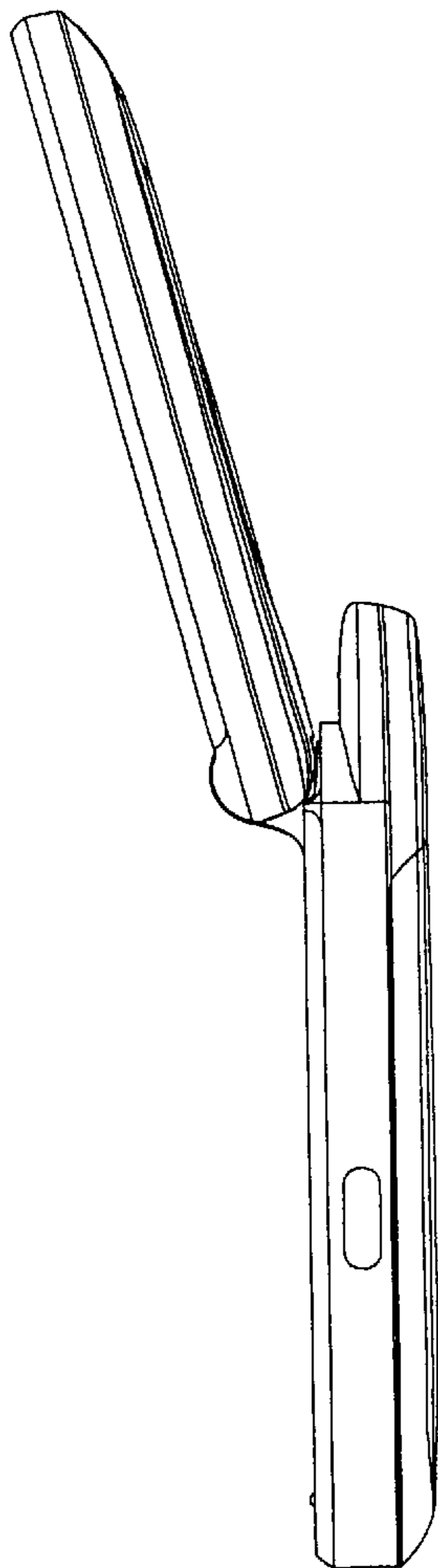
**FIG. 3**



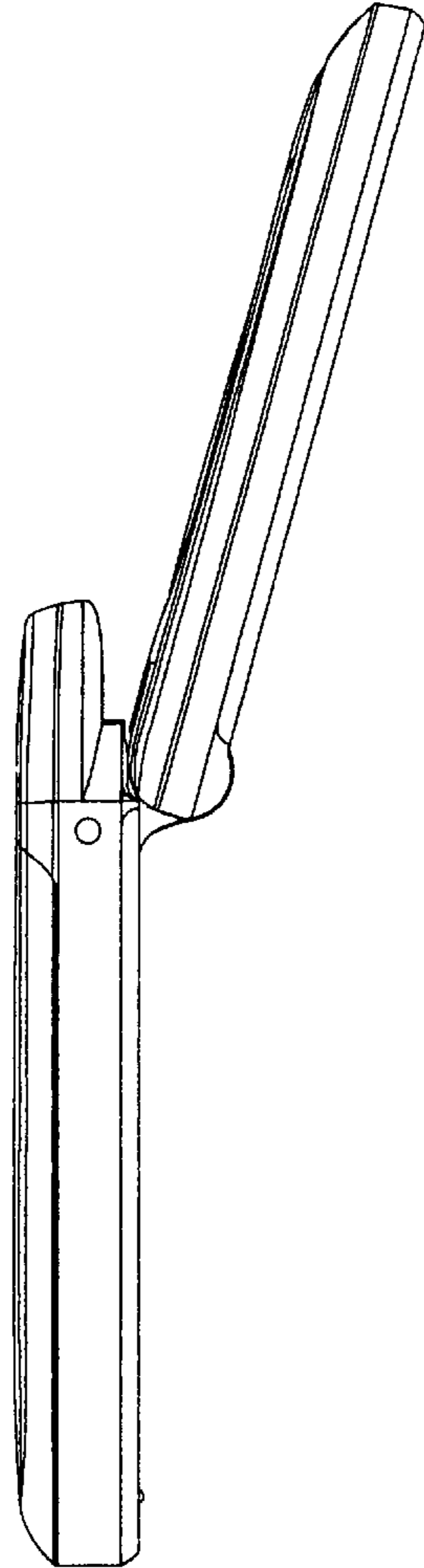
**FIG. 4**



**FIG. 5**



**FIG. 6**



**FIG. 7**

