



US00D518010S

(12) **United States Design Patent**
Peng

(10) **Patent No.:** **US D518,010 S**

(45) **Date of Patent:** **** Mar. 28, 2006**

- (54) **DVD PLAYER WITH DISPLAY**
- (75) Inventor: **Juen Tien Peng, Chung Li (TW)**
- (73) Assignee: **Action Electronics Co., Ltd., Chung Li (TW)**
- (**) Term: **14 Years**
- (21) Appl. No.: **29/221,136**
- (22) Filed: **Jan. 13, 2005**
- (51) **LOC (8) Cl.** **14-03**
- (52) **U.S. Cl.** **D14/129**
- (58) **Field of Classification Search** D14/125-134, D14/239, 371, 136, 374-376; 312/7.2; 348/836, 348/838, 180, 184, 325, 739; 341/12; 248/917-924, 248/465; 345/104, 133, 156, 168, 87, 173; 720/605, 669, 600, 655; 369/99, 197; 455/344-347
See application file for complete search history.

- D501,832 S * 2/2005 Peng D14/129
- D502,152 S * 2/2005 Peng D14/126
- D502,452 S * 3/2005 Peng D14/129
- D503,160 S * 3/2005 Peng D14/129
- D506,733 S * 6/2005 Boyer, Jr. D14/126

OTHER PUBLICATIONS

Mobile Planet, cover page, 2003.*
White Oak Pharmacy, p. 62, 2003.*

* cited by examiner

Primary Examiner—Raphael Barkai

(57) **CLAIM**

The ornamental design for a DVD player with display, as shown and described.

DESCRIPTION

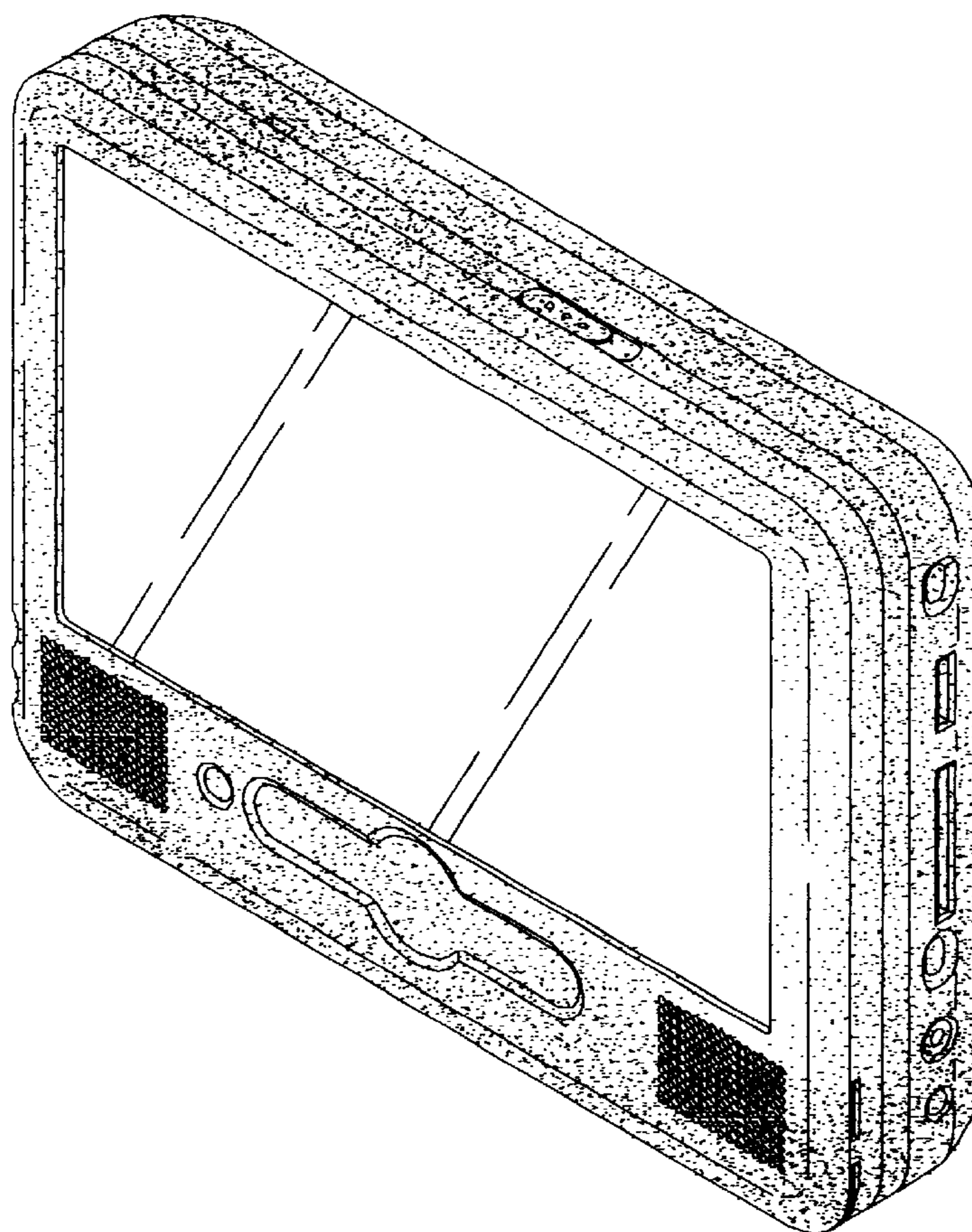
FIG. 1 is a perspective view of DVD player with display showing my design;
FIG. 2 is a front elevational view thereof;
FIG. 3 is a rear elevational view thereof;
FIG. 4 is a left elevational view thereof;
FIG. 5 is a right elevational view thereof;
FIG. 6 is a top elevational view thereof; and,
FIG. 7 is a bottom elevational view thereof.

1 Claim, 4 Drawing Sheets

(56) **References Cited**

U.S. PATENT DOCUMENTS

- D324,040 S * 2/1992 Saito et al. D14/126
- D412,900 S * 8/1999 Utsugi D14/136
- D415,147 S * 10/1999 Adachi D14/132
- D468,276 S * 1/2003 Chang D14/126



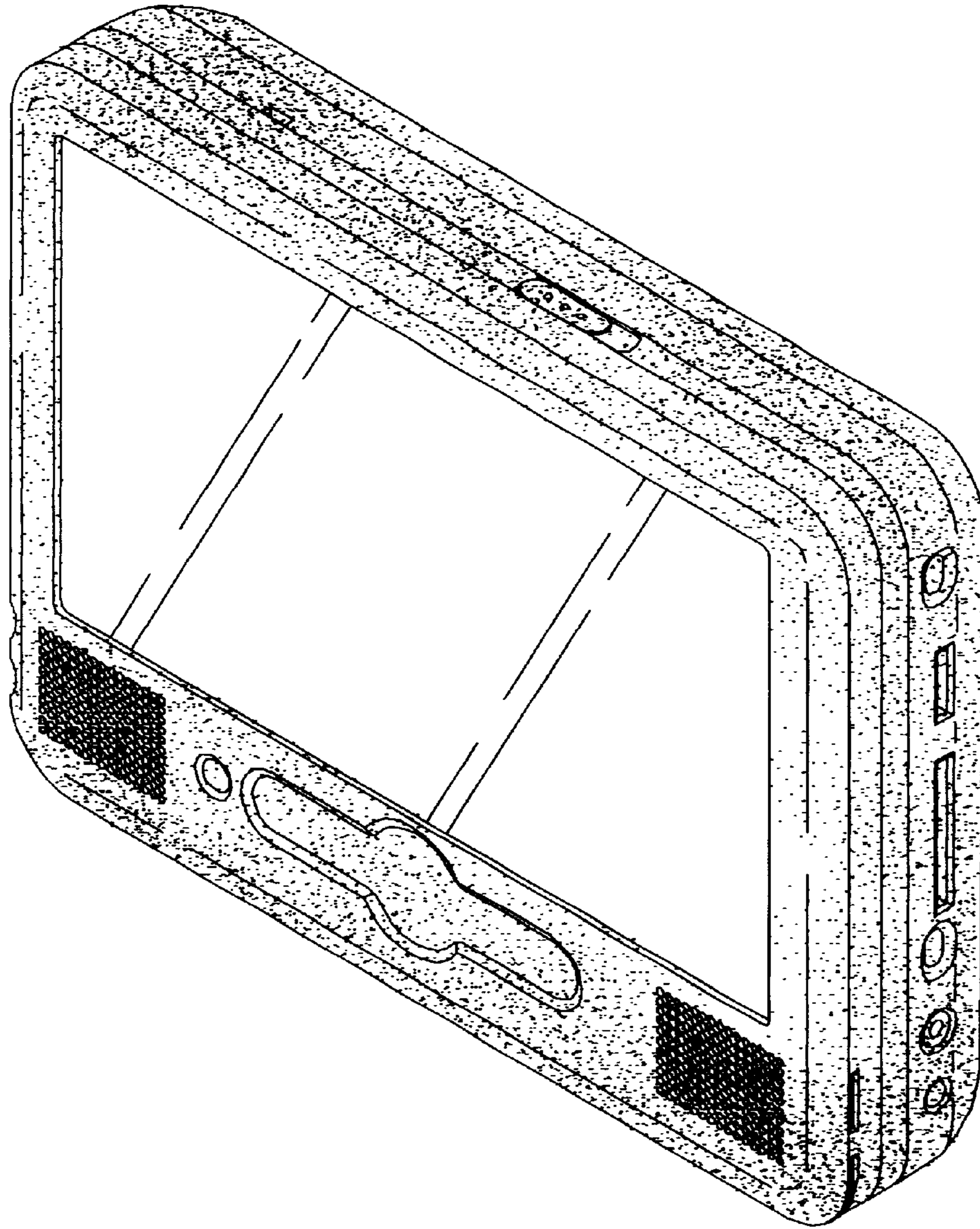


FIG. 1

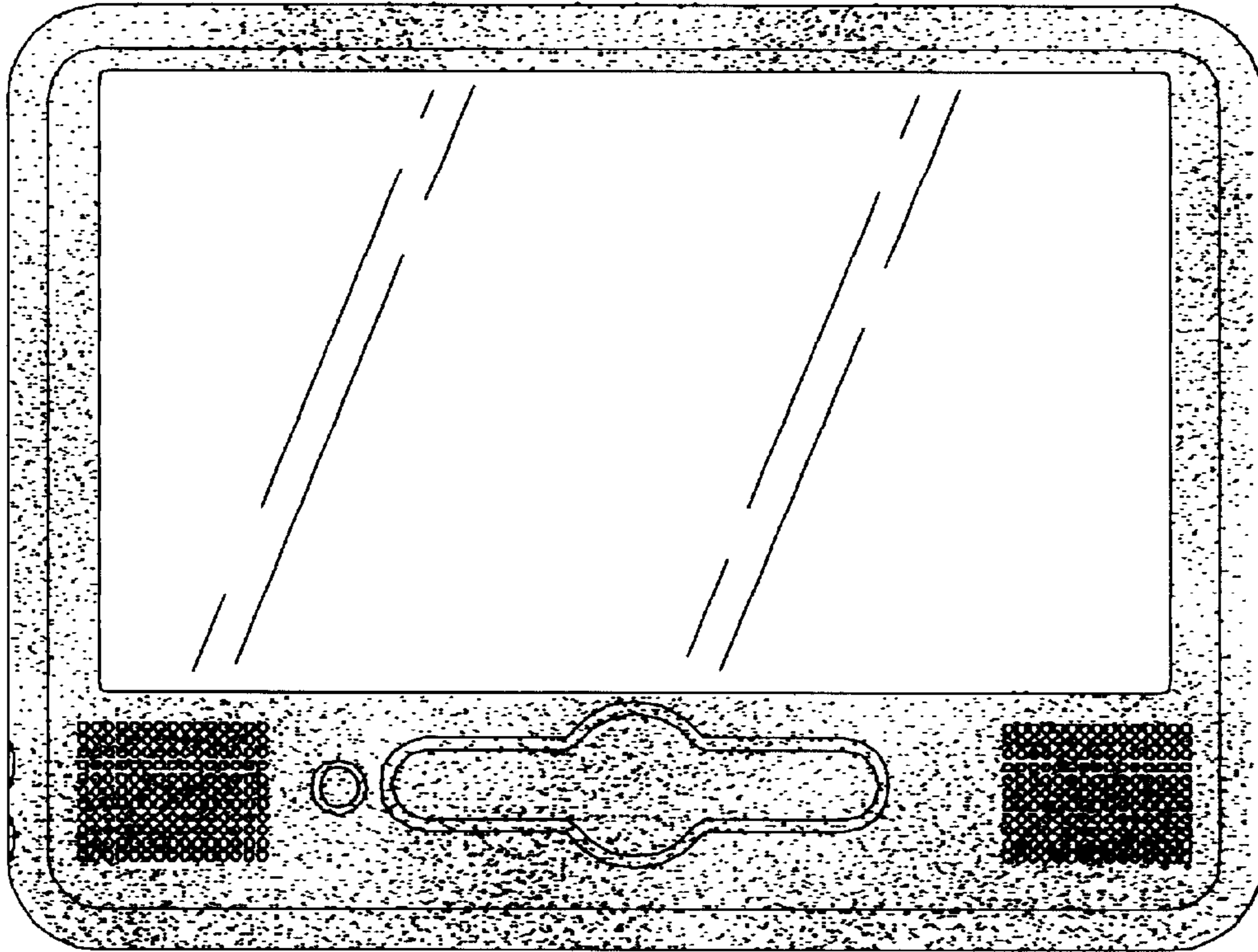


FIG. 2

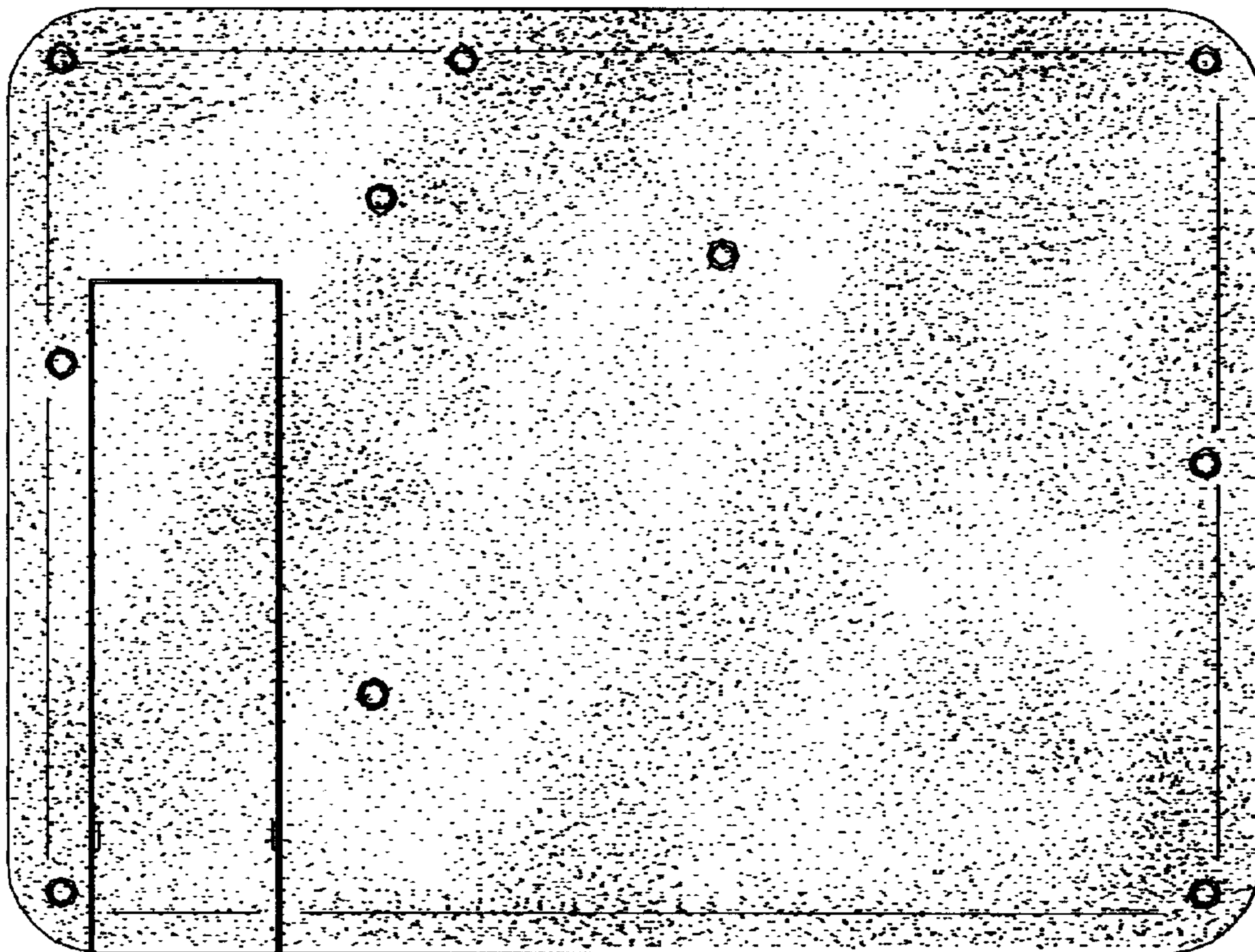


FIG. 3

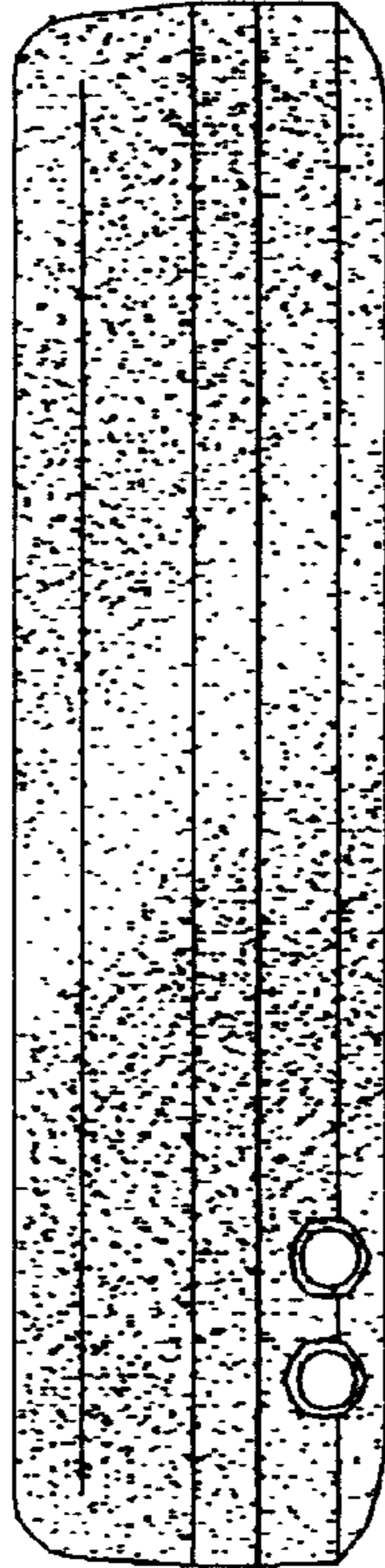


FIG. 4

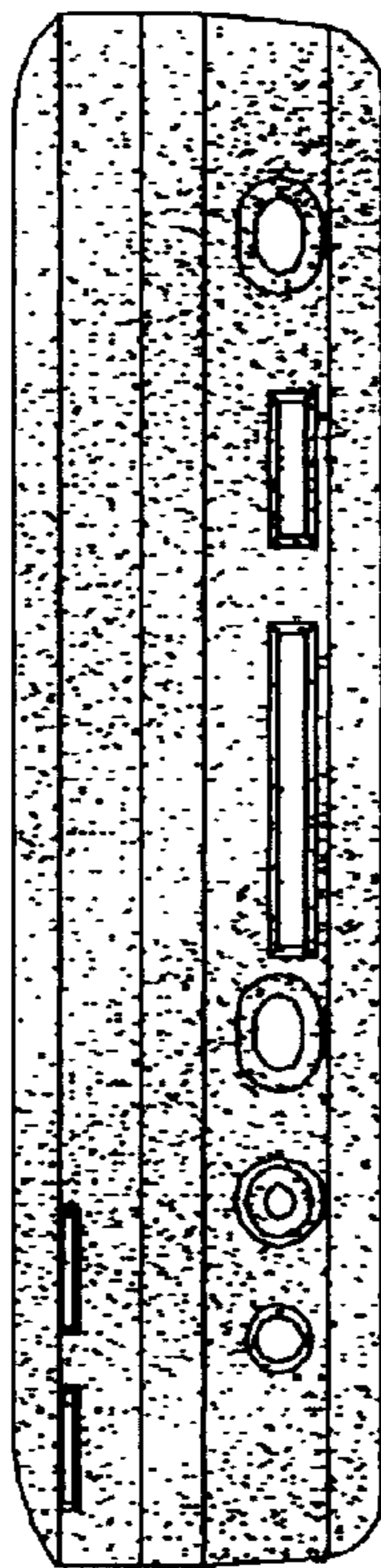


FIG. 5

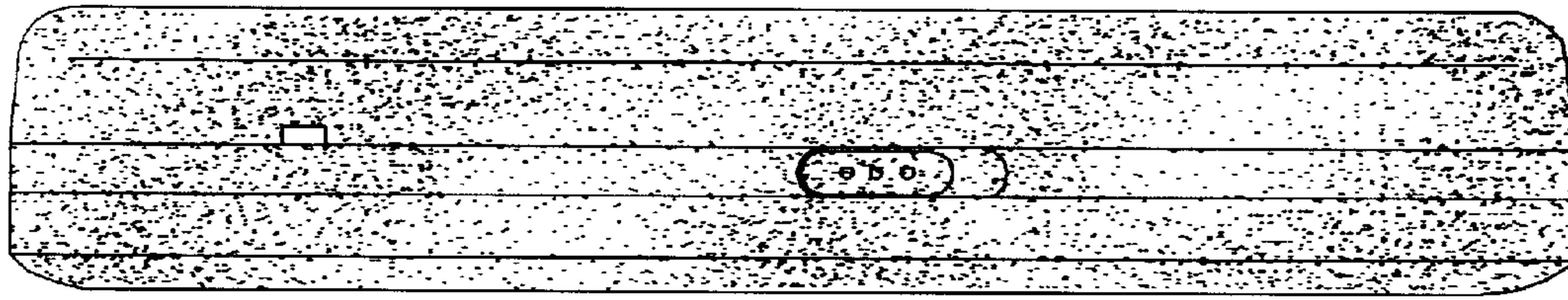


FIG. 6

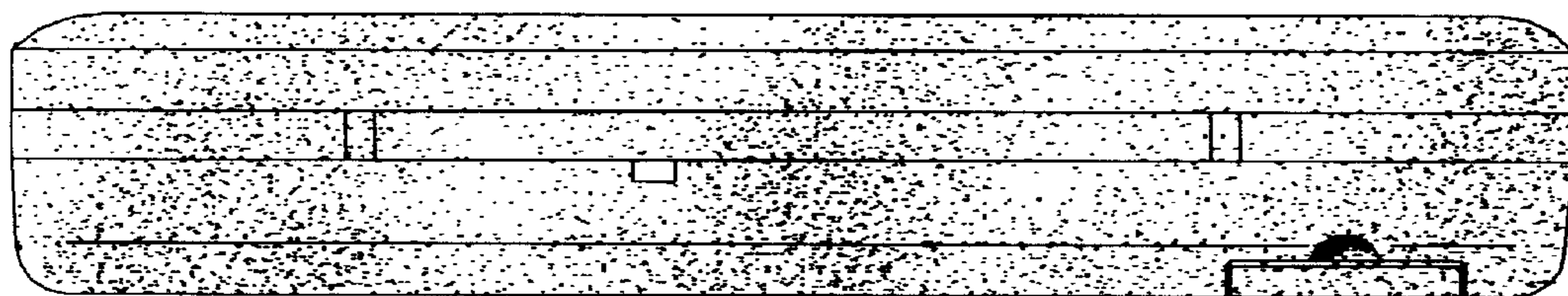


FIG. 7