

US00D518009S

(12) **United States Design Patent**
Peng

(10) **Patent No.:** **US D518,009 S**

(45) **Date of Patent:** **** Mar. 28, 2006**

- (54) **AUDIO-VIDEO DISPLAY DEVICE**
- (75) Inventor: **Juen Tien Peng, Chung Li (TW)**
- (73) Assignee: **Action Electronics Co., Ltd., Chung Li (TW)**
- (**) Term: **14 Years**

6,020,867 A	*	2/2000	Shimada et al.	345/87
D468,276 S	*	1/2003	Chang	D14/126
D501,832 S	*	2/2005	Peng	D14/129
D502,152 S	*	2/2005	Peng	D14/126
D502,452 S	*	3/2005	Peng	D14/129
D503,160 S	*	3/2005	Peng	D14/129
D506,733 S	*	6/2005	Boyer, Jr.	D14/126

- (21) Appl. No.: **29/221,135**
- (22) Filed: **Jan. 13, 2005**
- (51) **LOC (8) Cl.** **14-03**
- (52) **U.S. Cl.** **D14/129**
- (58) **Field of Classification Search** D14/125-134,
D14/239, 371, 136, 374-376; 312/7.2; 348/836,
348/838, 180, 184, 325, 739; 341/12; 248/917-924,
248/465; 345/104, 133, 156, 168, 87, 173;
720/605, 669, 600, 655; 369/99, 197; 455/344-347
See application file for complete search history.

(56) **References Cited**
U.S. PATENT DOCUMENTS

D324,040 S	*	2/1992	Saito et al.	D14/126
D376,588 S	*	12/1996	Shinano	D14/374
D384,660 S	*	10/1997	Matushita	D14/126
D412,900 S	*	8/1999	Utsugi	D14/136
D414,473 S	*	9/1999	Kummel et al.	D14/374
D415,147 S	*	10/1999	Adachi	D14/132

OTHER PUBLICATIONS

Mobile Planet, cover page, 2003.*
White Oak Pharmacy, p. 62, 2003.*

* cited by examiner

Primary Examiner—Raphael Barkai

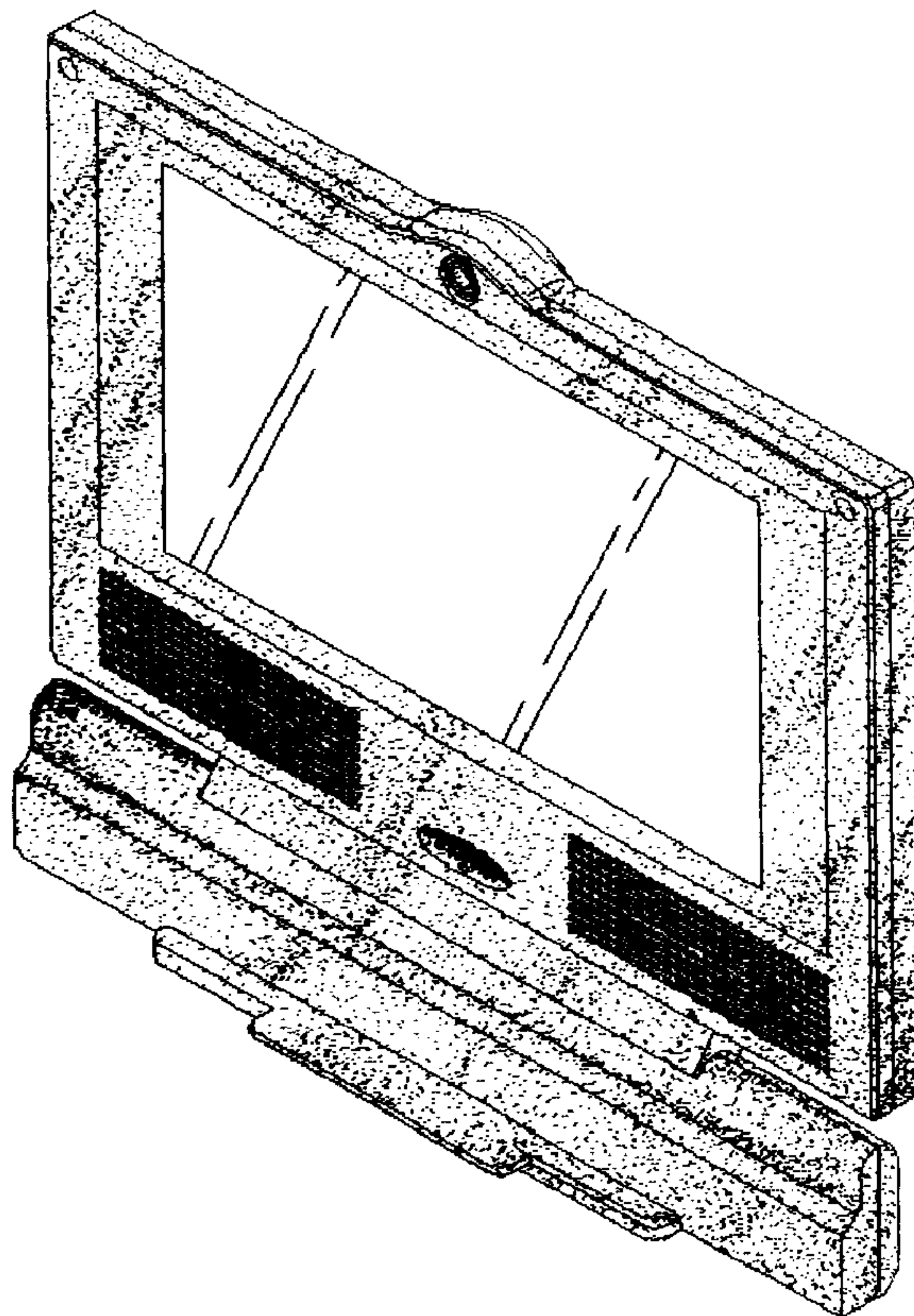
(57) **CLAIM**

The ornamental design for a audio-video display device, as shown and described.

DESCRIPTION

FIG. 1 is a perspective view of audio-video display device showing my design;
FIG. 2 is a front elevational view thereof;
FIG. 3 is a rear elevational view thereof;
FIG. 4 is a left elevational view thereof;
FIG. 5 is a right elevational view thereof;
FIG. 6 is a top elevational view thereof; and,
FIG. 7 is a bottom elevational view thereof.

1 Claim, 4 Drawing Sheets



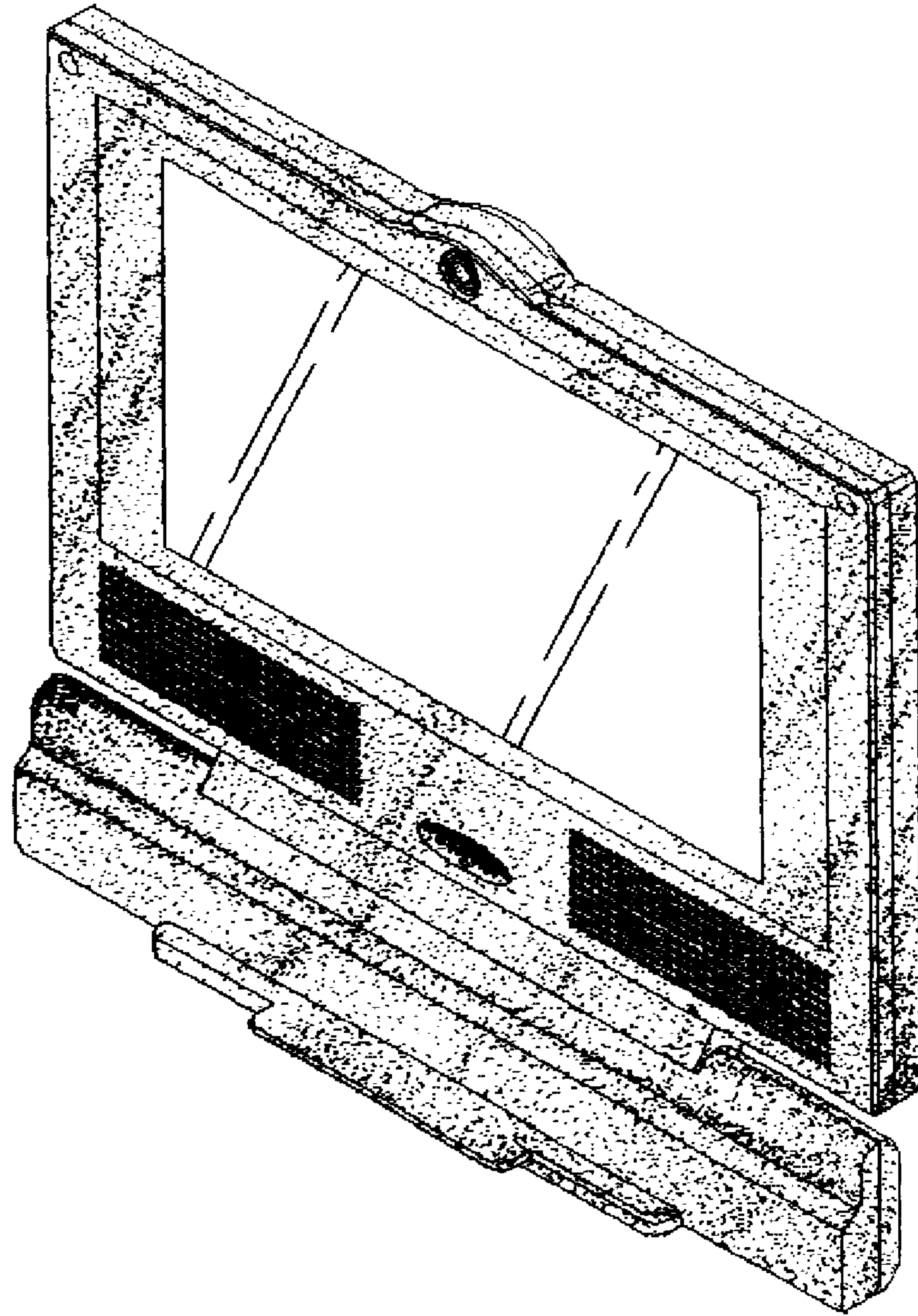


FIG. 1

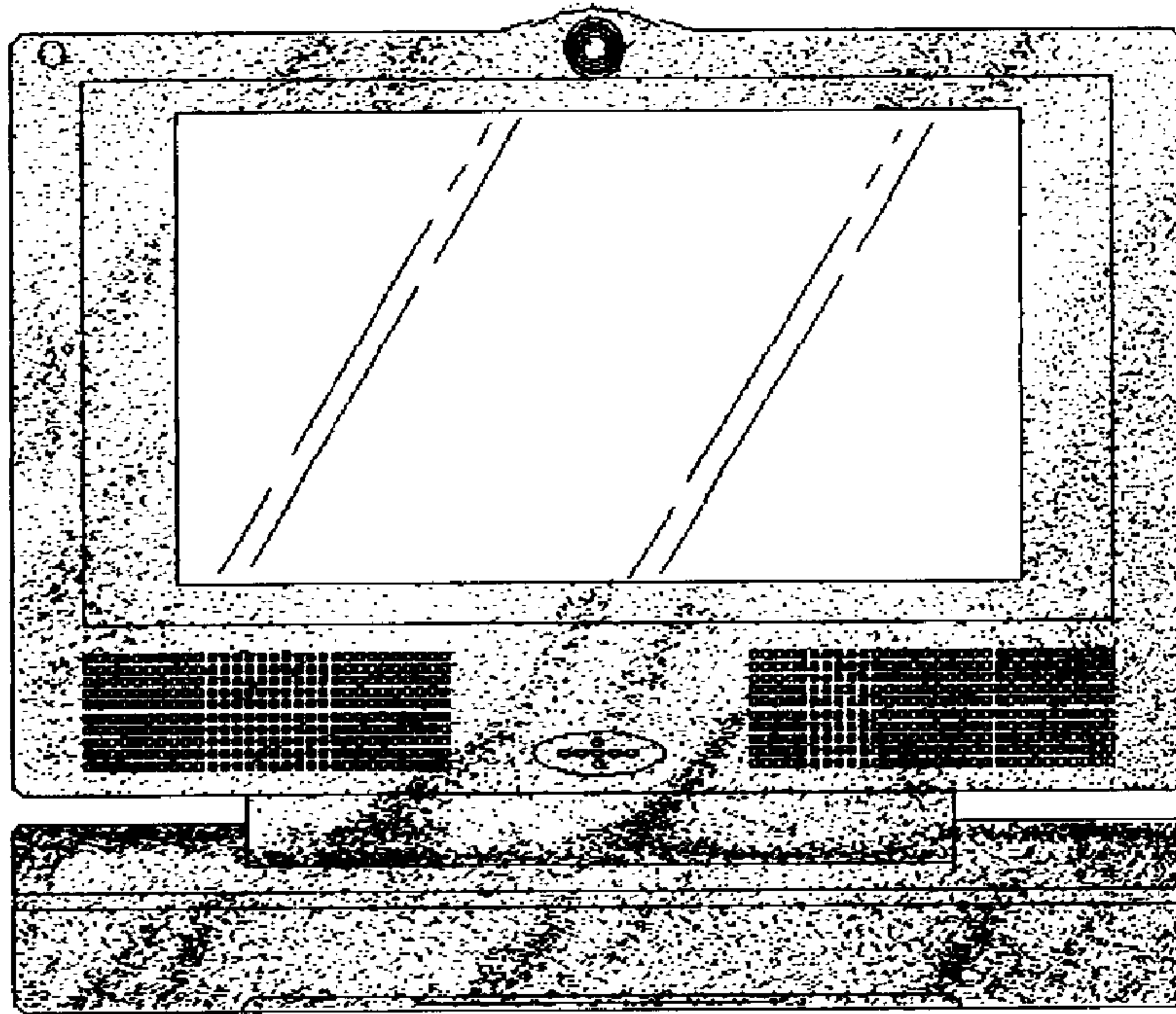


FIG. 2

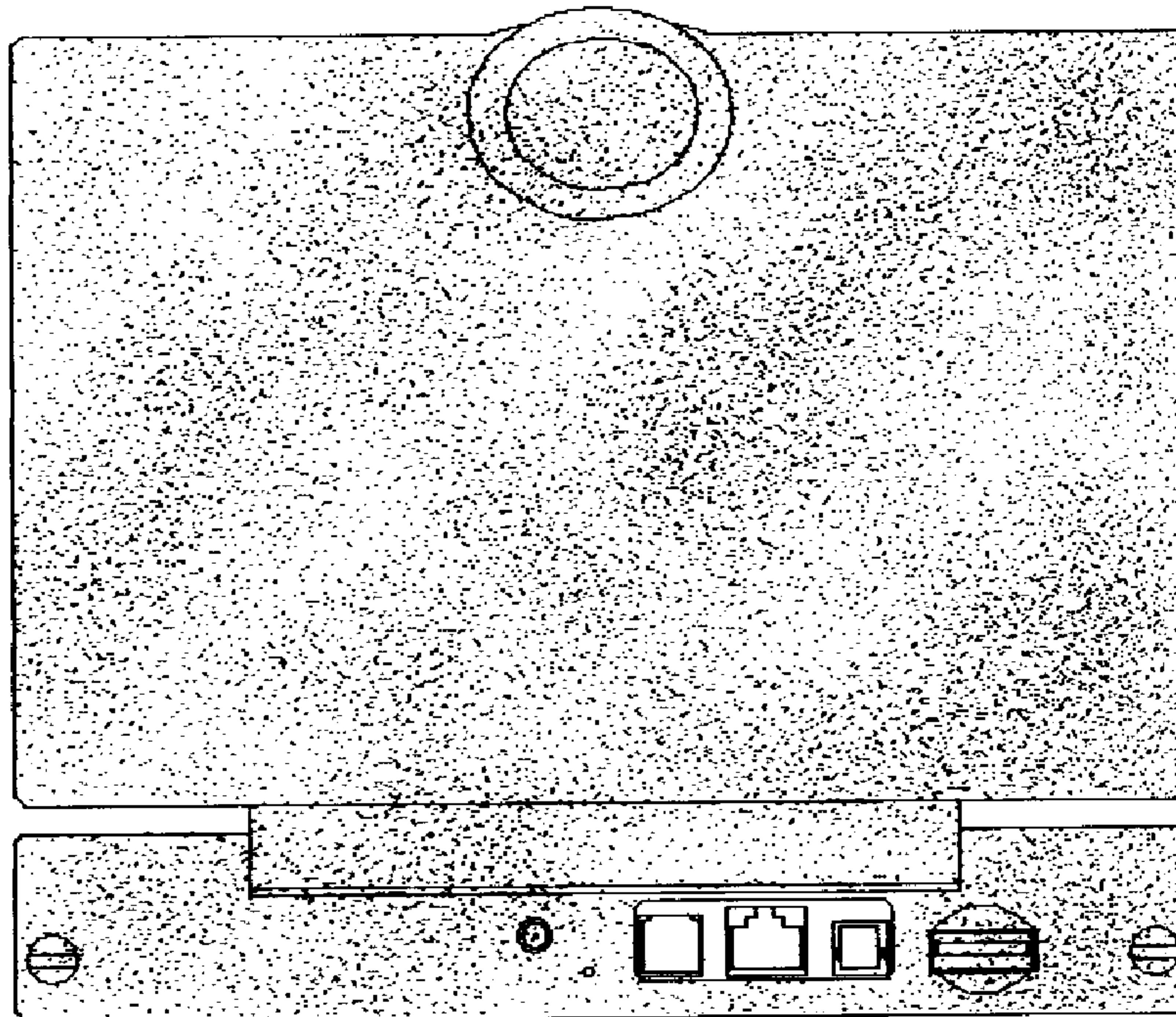


FIG. 3

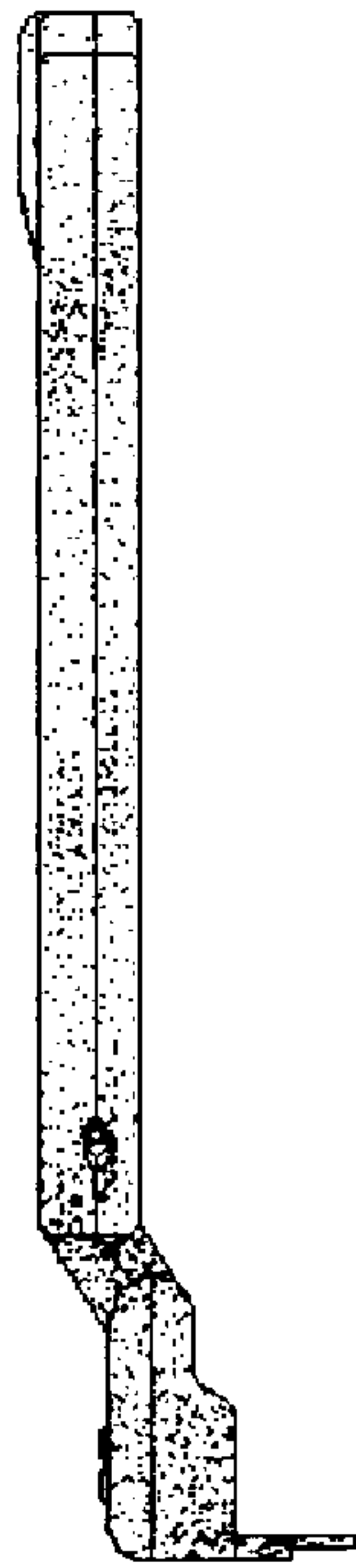


FIG. 4

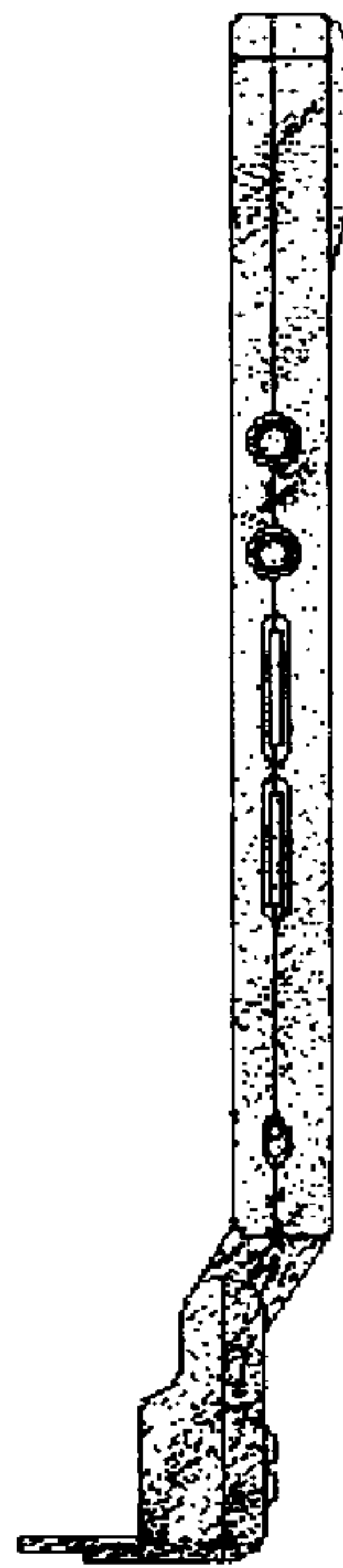


FIG. 5

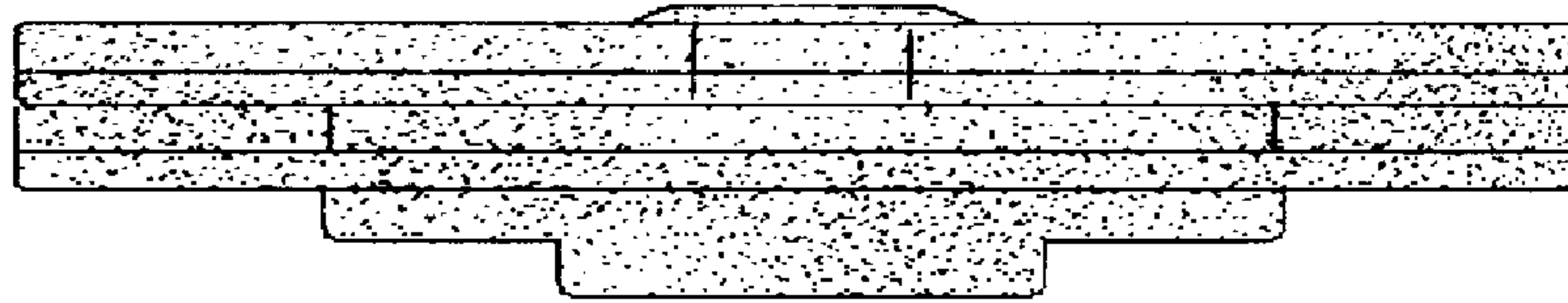


FIG. 6

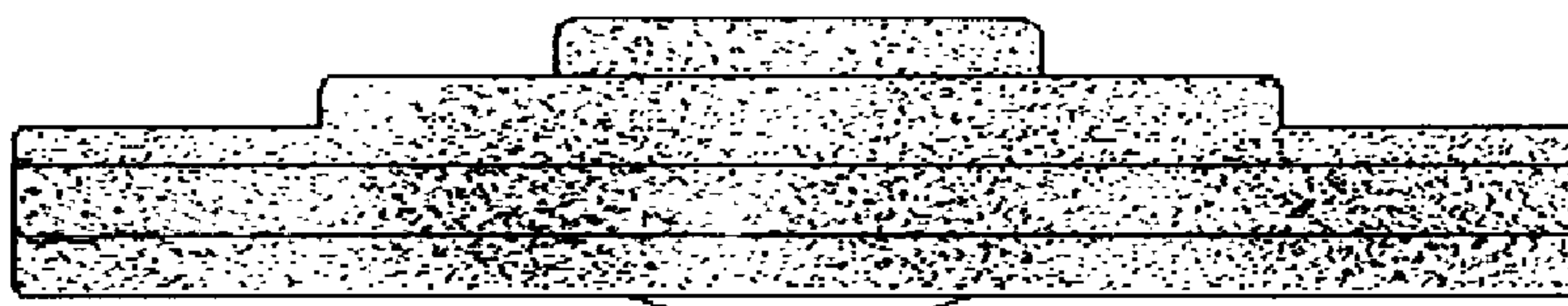


FIG. 7