



US00D518002S

(12) **United States Design Patent**
Johanneck et al.

(10) **Patent No.:** **US D518,002 S**
(45) **Date of Patent:** **** Mar. 28, 2006**

(54) **ADAPTABLE WALL BOX**

(76) Inventors: **Peter J. Johanneck**, 12924 Oak Ridge La., Merrifield, MN (US) 56465; **Peter A. Nelson**, 22883 Old Government Trail, Nisswa, MN (US) 56468; **James A. Leonard**, 31 2nd St. SW., Crosby, MN (US) 56441

(**) Term: **14 Years**

(21) Appl. No.: **29/225,156**

(22) Filed: **Mar. 11, 2005**

4,822,963 A	4/1989	Martin	
D301,136 S	*	5/1989	Saito D13/171
4,943,695 A		7/1990	Valis
4,952,760 A		8/1990	Wilson, Jr.
D311,383 S	*	10/1990	Falck D13/177
5,134,259 A		7/1992	Page, Jr.
D333,631 S	*	3/1993	Maguire et al. D10/103
5,424,516 A	*	6/1995	Emmons 200/344
5,744,750 A		4/1998	Almond
5,981,875 A		11/1999	Kesler et al.
6,118,074 A	*	9/2000	Turcovsky et al. 174/66
6,133,843 A		10/2000	Davidson
D440,947 S		4/2001	Culberson et al.
6,769,562 B1	*	8/2004	Schroeder 220/3.5

* cited by examiner

Related U.S. Application Data

(62) Division of application No. 29/172,622, filed on Dec. 13, 2002.

(51) **LOC (8) Cl.** **13-03**

(52) **U.S. Cl.** **D13/184**; D13/171

(58) **Field of Classification Search** D13/158, D13/171, 174, 184; D10/106; D8/352, 353; 174/50, 51, 53, 58, 66; 200/5 A, 5 R, 16 R, 200/293, 313, 314, 241, 296, 341; 220/3.2, 220/3.5, 3.8

See application file for complete search history.

(56) **References Cited**

U.S. PATENT DOCUMENTS

D119,743 S	*	4/1940	Dreyfuss D10/46
D223,304 S	*	4/1972	Doggart D10/118
D223,924 S	*	6/1972	Andelson D13/171
3,937,913 A		2/1976	Soulas et al.
D258,577 S	*	3/1981	Bottner D10/106
D294,231 S	*	2/1988	Cameron et al. D10/106
4,737,609 A		4/1988	Yuhasz et al.

Primary Examiner—Stella Reid

Assistant Examiner—Selina Sikder

(74) *Attorney, Agent, or Firm*—Kinney & Lange, P.A.

(57) **CLAIM**

The ornamental design for an adaptable wall box, as shown and described.

DESCRIPTION

FIG. 1 is a perspective view of an adaptable wall box showing our new design;

FIG. 2 is a top view thereof;

FIG. 3 is a side view thereof;

FIG. 4 is a front view thereof;

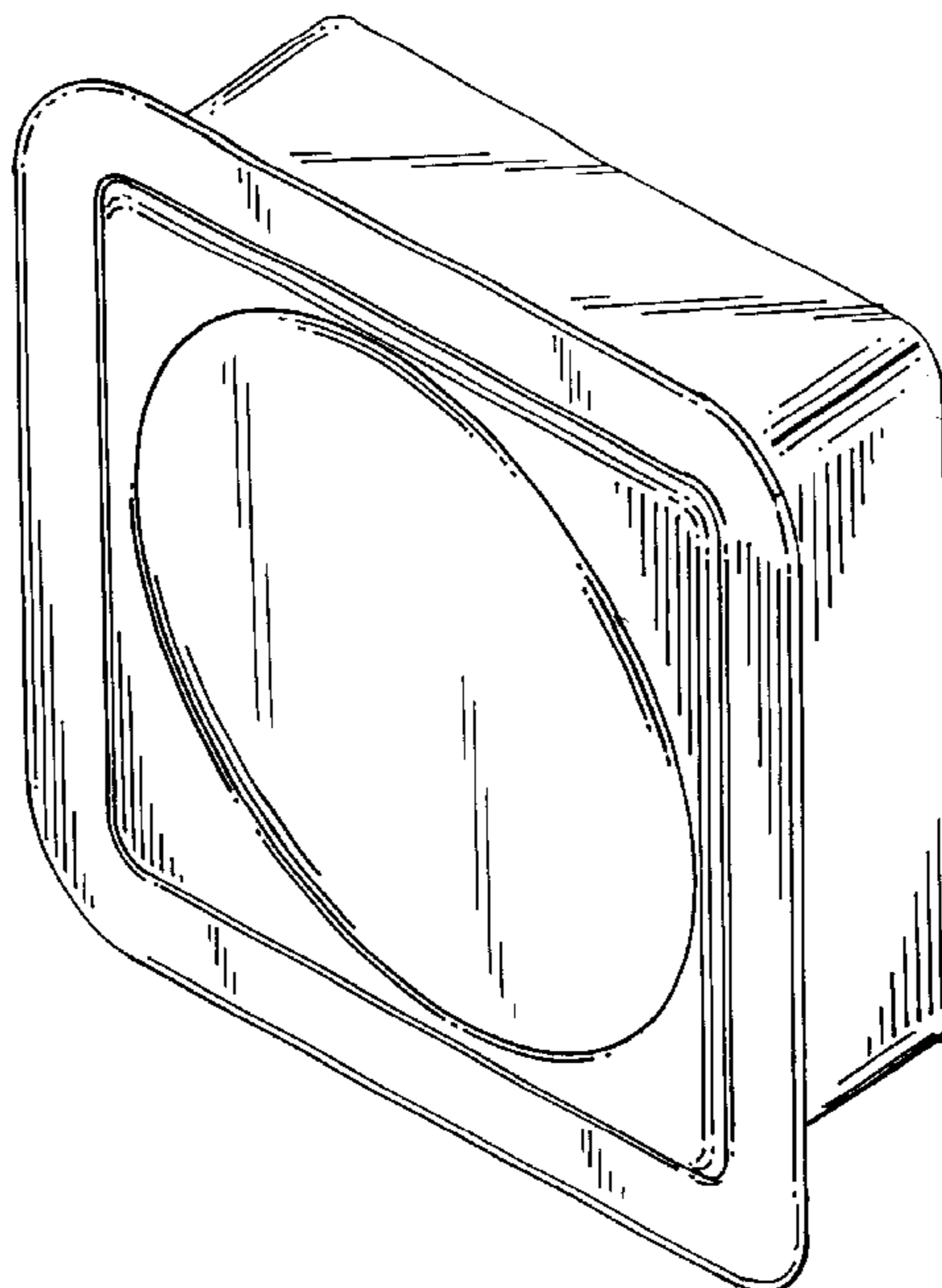
FIG. 5 is a perspective view of the second embodiment showing our new design;

FIG. 6 is a top view thereof;

FIG. 7 is a side view thereof; and,

FIG. 8 is a front view thereof.

1 Claim, 4 Drawing Sheets



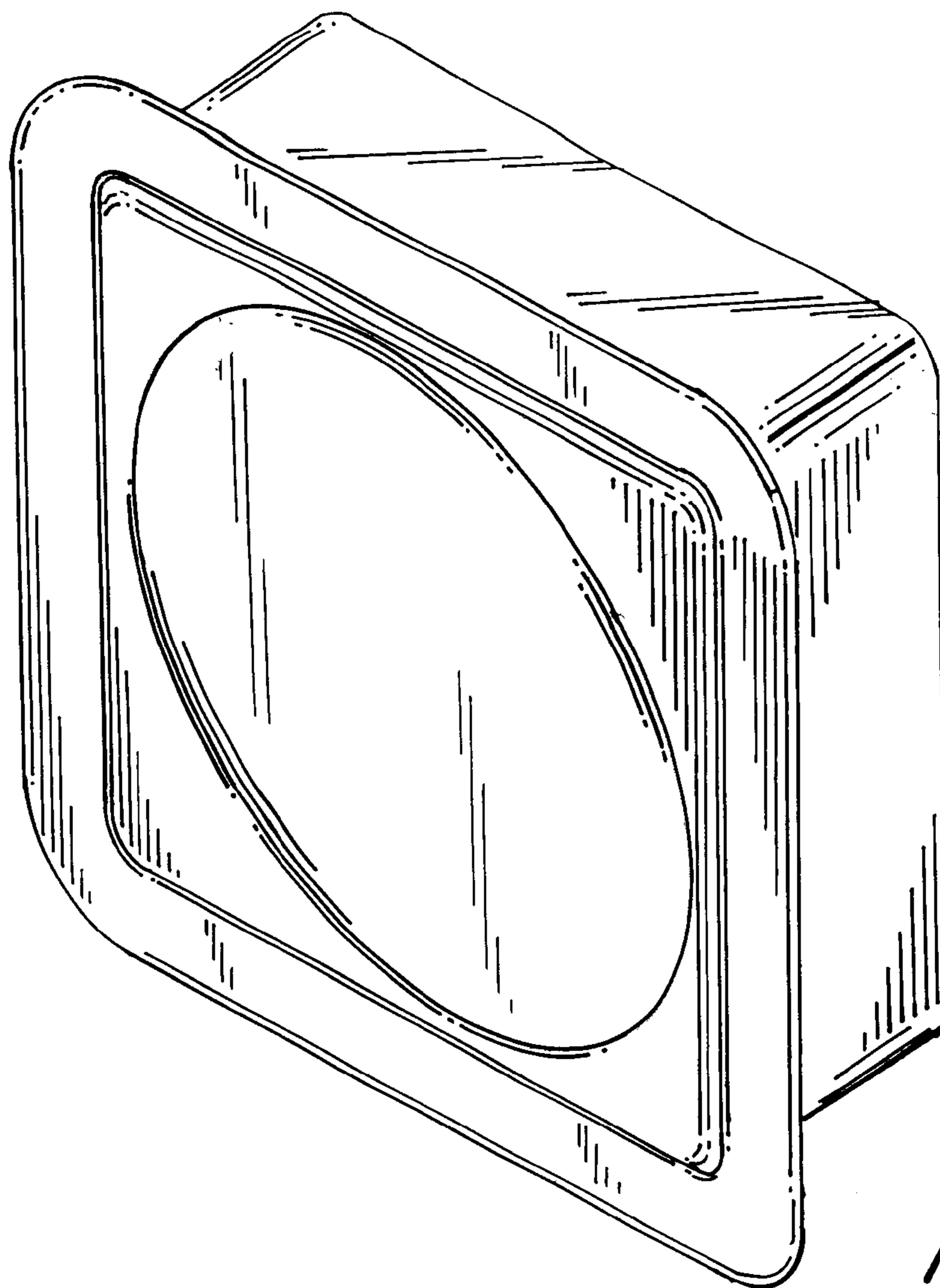


Fig. 1

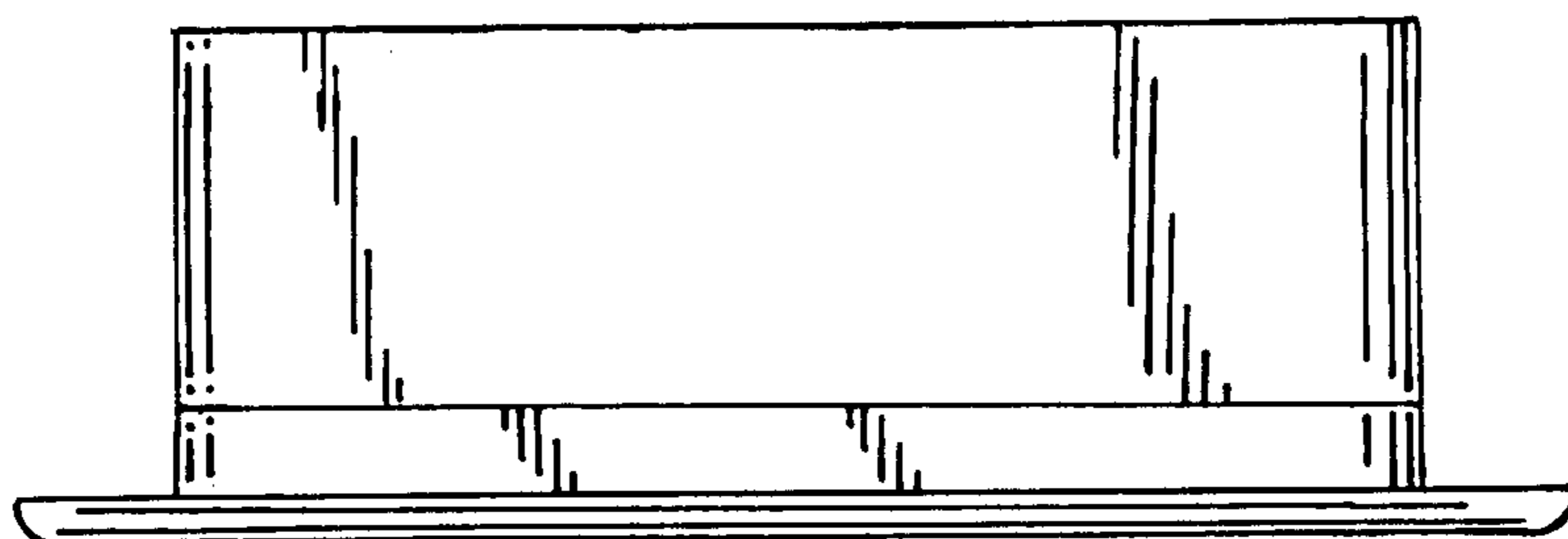


Fig. 2

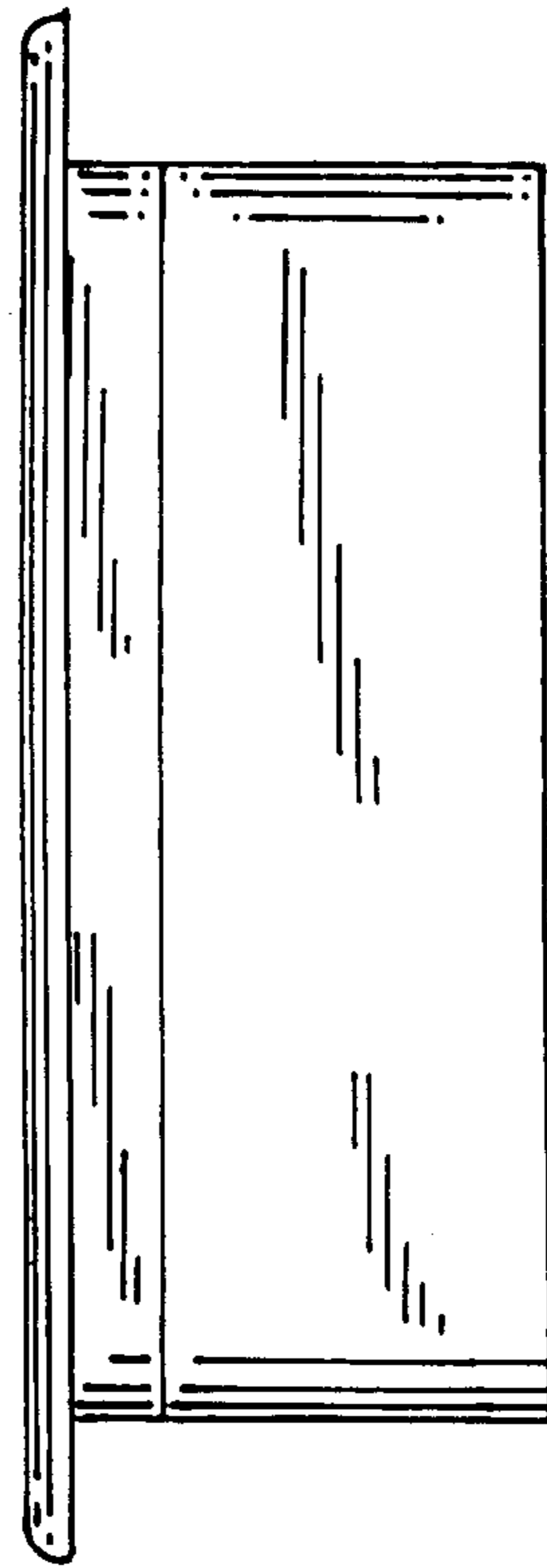


Fig. 3

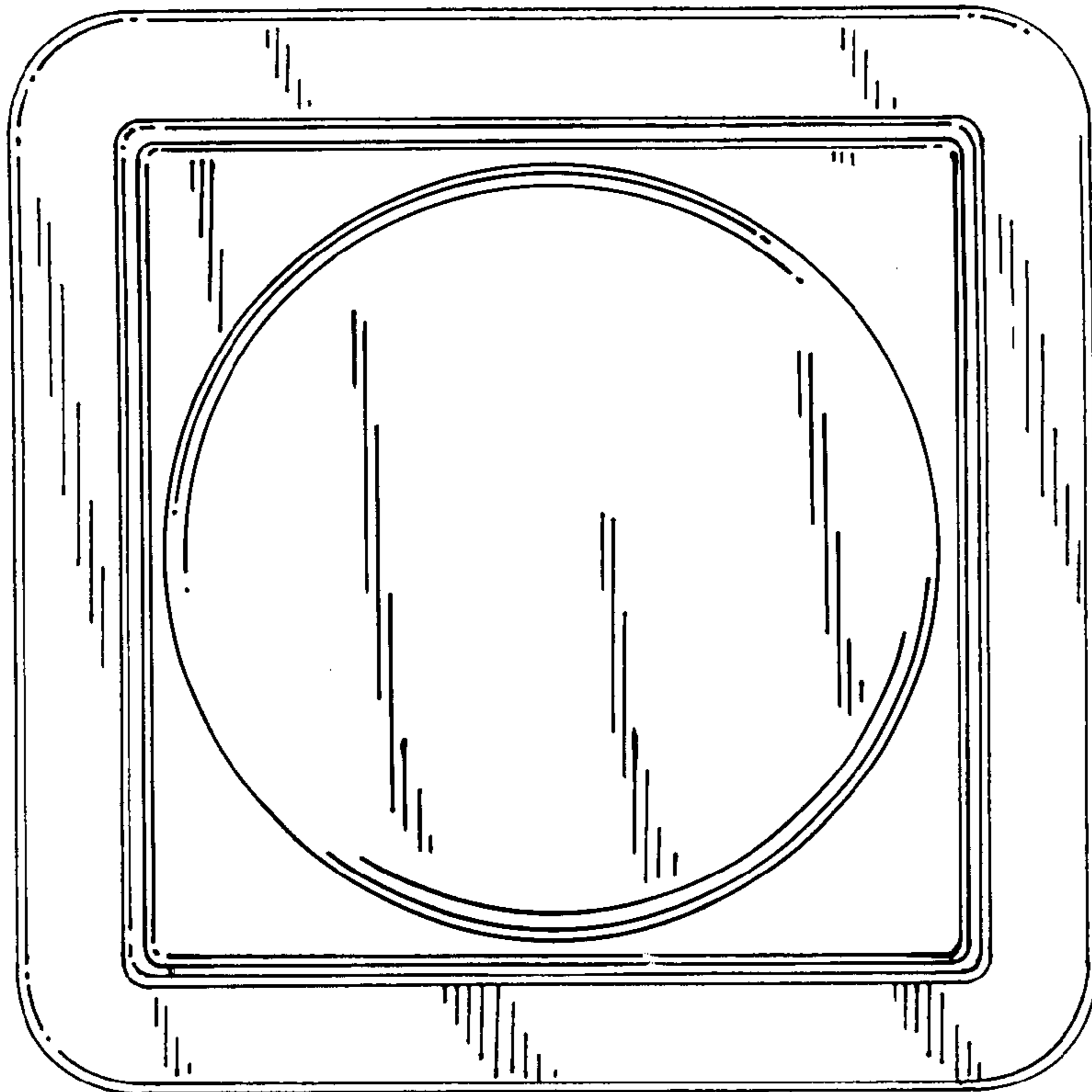


Fig. 4

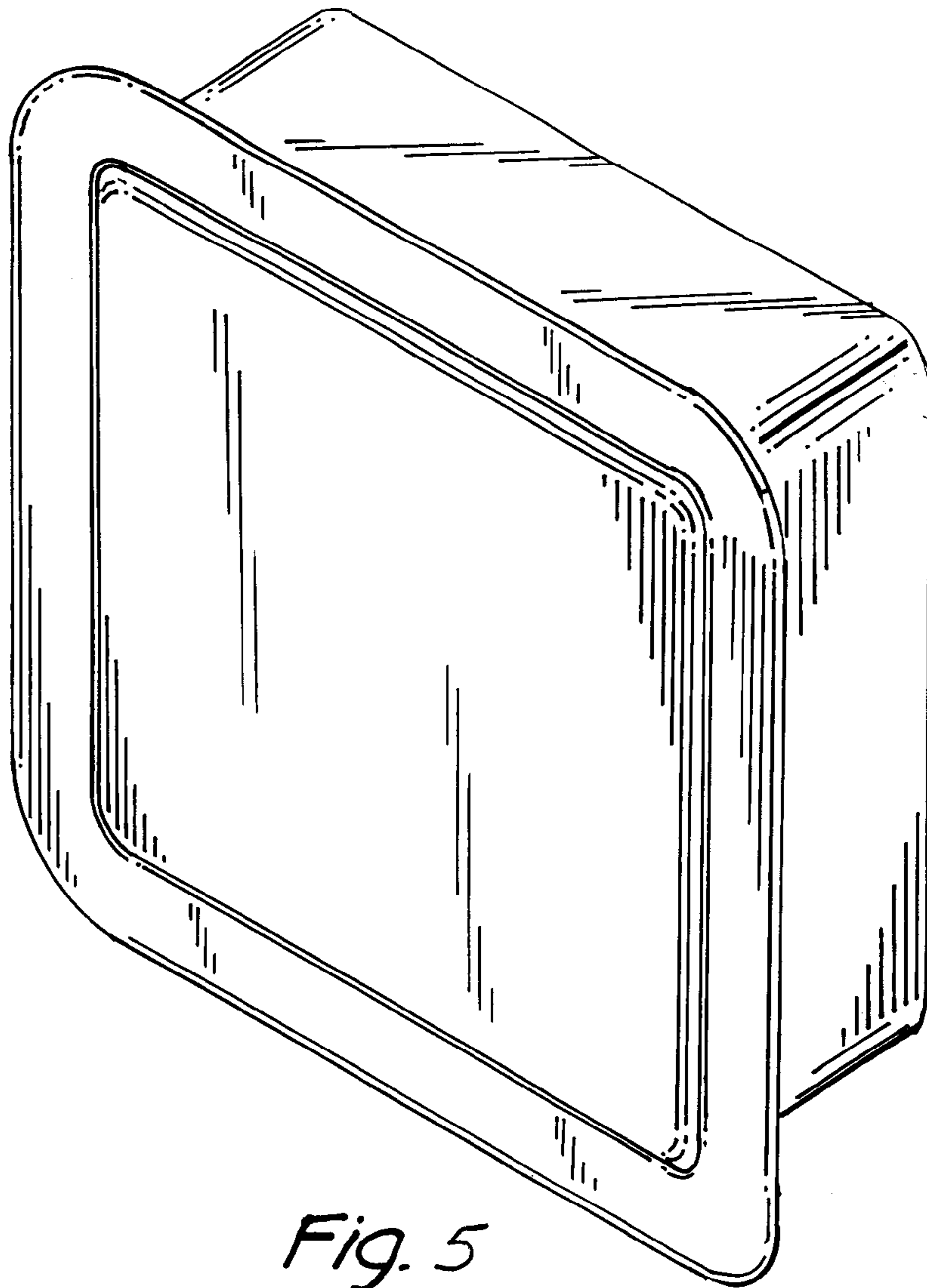


Fig. 5

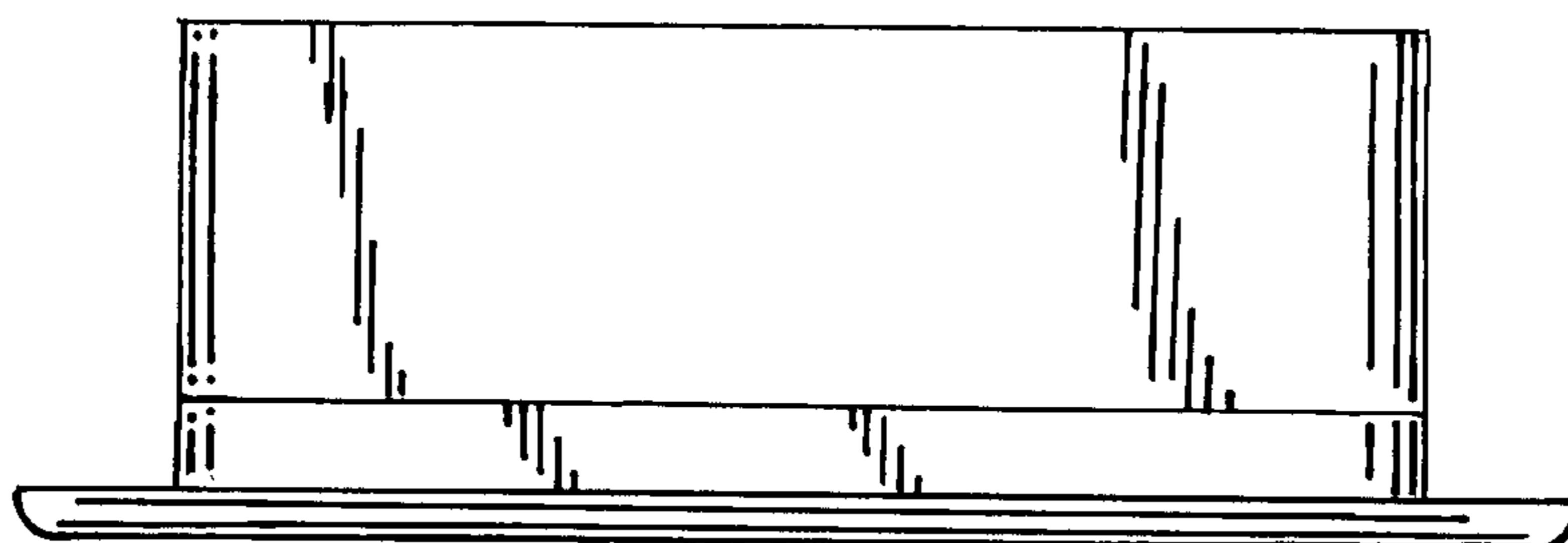


Fig. 6



Fig. 7

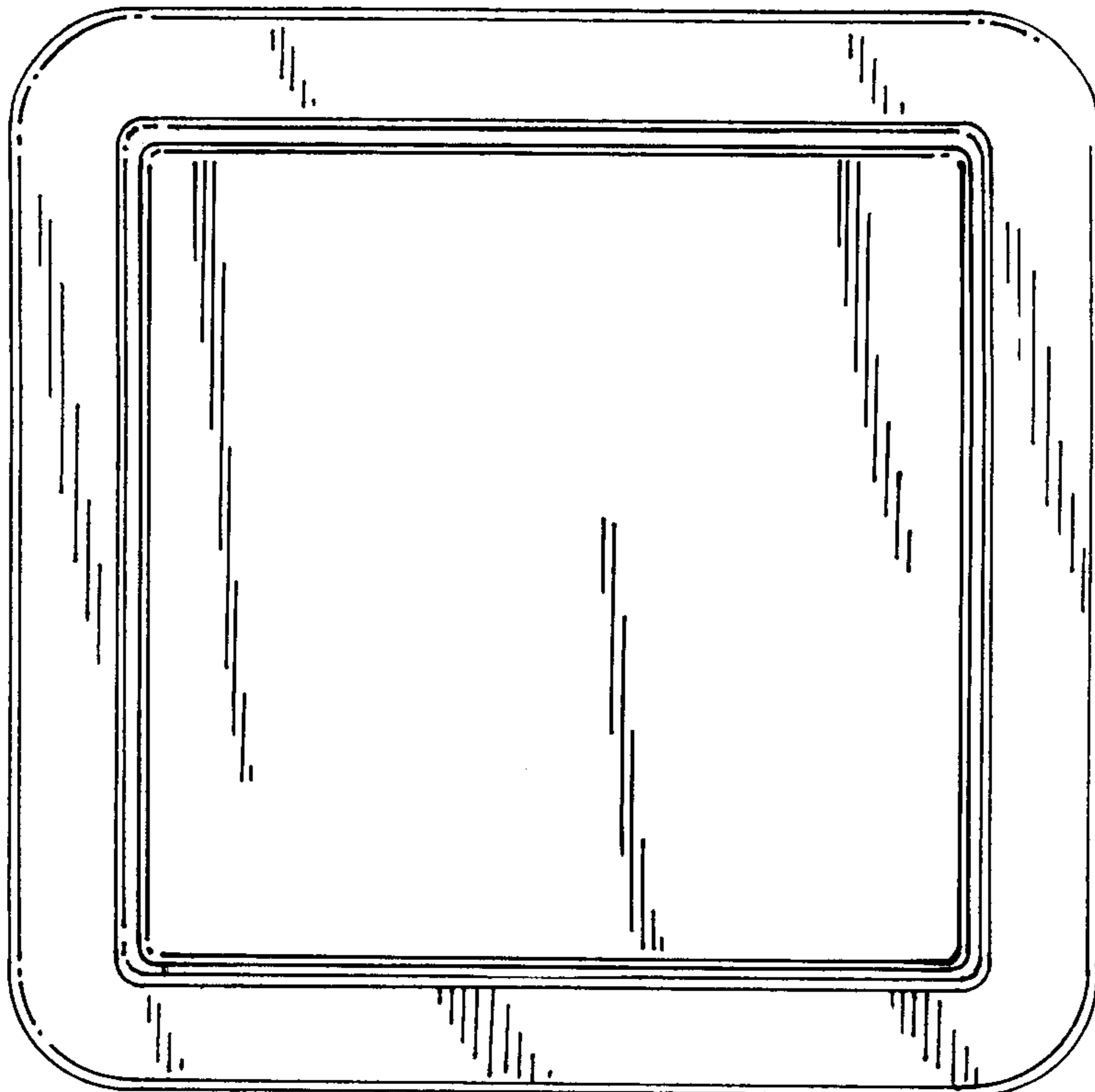


Fig. 8