



US00D517995S

(12) **United States Design Patent**
Nakamura et al.

(10) **Patent No.:** **US D517,995 S**
(45) **Date of Patent:** **** Mar. 28, 2006**

(54) **ELECTRICAL CONNECTOR**

(75) Inventors: **Keisuke Nakamura**, Tokyo (JP);
Masayuki Katayanagi, Tokyo (JP)

(73) Assignee: **Japan Aviation Electronics Industry, Limited**, Tokyo (JP)

(**) Term: **14 Years**

(21) Appl. No.: **29/226,273**

(22) Filed: **Mar. 25, 2005**

(30) **Foreign Application Priority Data**

Sep. 30, 2004 (JP) 2004-033221

(51) **LOC (8) Cl.** **13-03**

(52) **U.S. Cl.** **D13/147**

(58) **Field of Classification Search** D13/146,
D13/147, 184, 199; 439/62, 83, 260, 329,
439/358, 422, 495, 499, 607, 630
See application file for complete search history.

(56) **References Cited**

U.S. PATENT DOCUMENTS

5,487,674 A * 1/1996 Guzik et al. 439/83
D378,208 S * 2/1997 Saito D13/147
D454,114 S * 3/2002 Hayashi et al. D13/147
D482,000 S * 11/2003 Saito et al. D13/147

D499,379 S * 12/2004 Zhu et al. D13/147
2001/0049231 A1 * 12/2001 Bricaud 439/630
2004/0127098 A1 * 7/2004 Kuo et al. 439/607
2004/0175982 A1 * 9/2004 Kuroda et al. 439/358
2005/0118849 A1 * 6/2005 Okita et al. 439/260

* cited by examiner

Primary Examiner—Stella Reid

Assistant Examiner—Daniel Bui

(74) *Attorney, Agent, or Firm*—Collard & Poe, P.C.

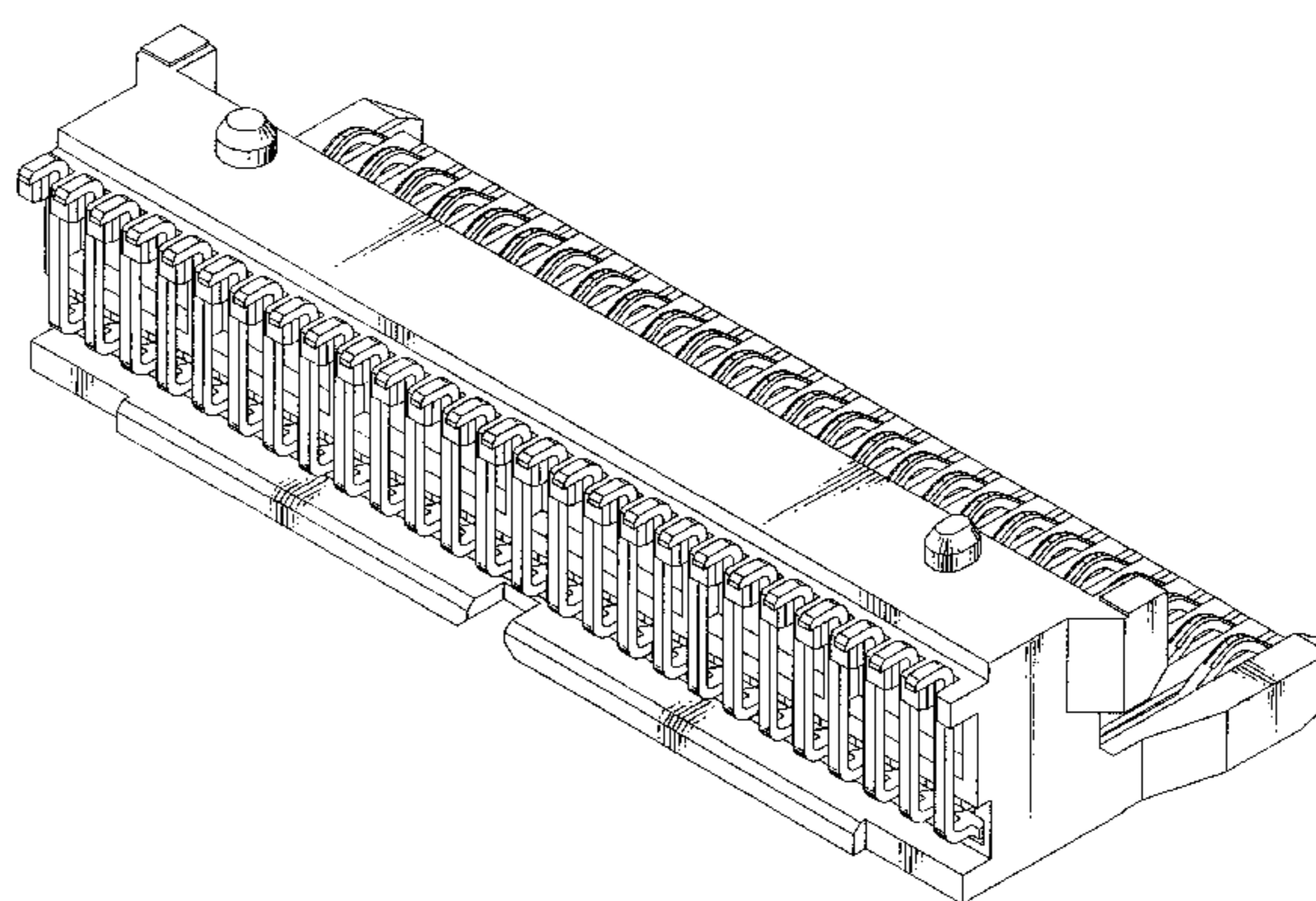
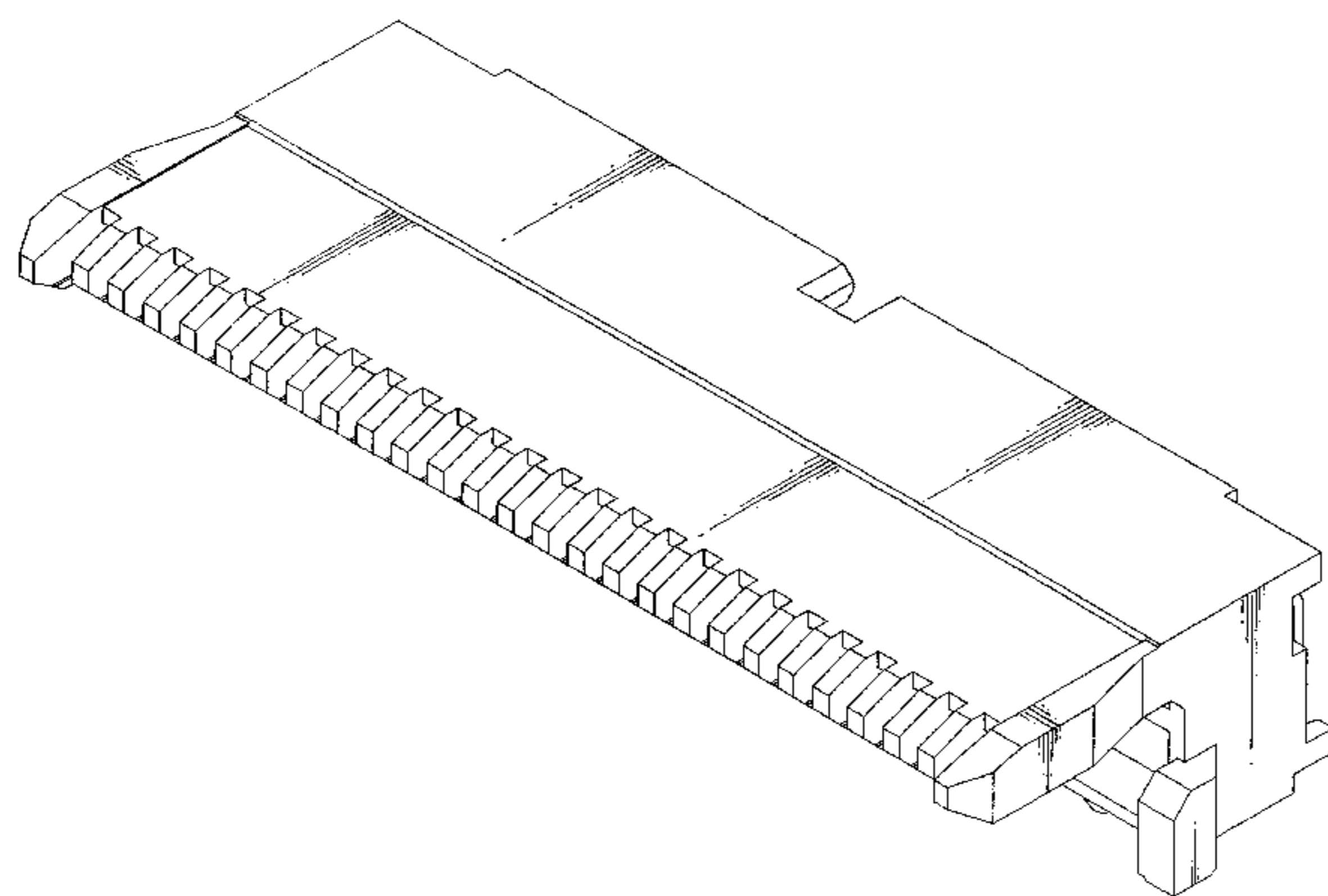
(57) **CLAIM**

The ornamental design for an electrical connector, as shown and described.

DESCRIPTION

FIG. 1 is a front elevational view of an electrical connector, showing our new design;
FIG. 2 is a rear elevational view thereof;
FIG. 3 is a top plan view thereof;
FIG. 4 is a bottom plan view thereof;
FIG. 5 is a right side elevational view thereof;
FIG. 6 is a left side elevational view thereof;
FIG. 7 is a front, top, and right side perspective view thereof; and,
FIG. 8 is a rear, bottom, and right side perspective view thereof.

1 Claim, 6 Drawing Sheets



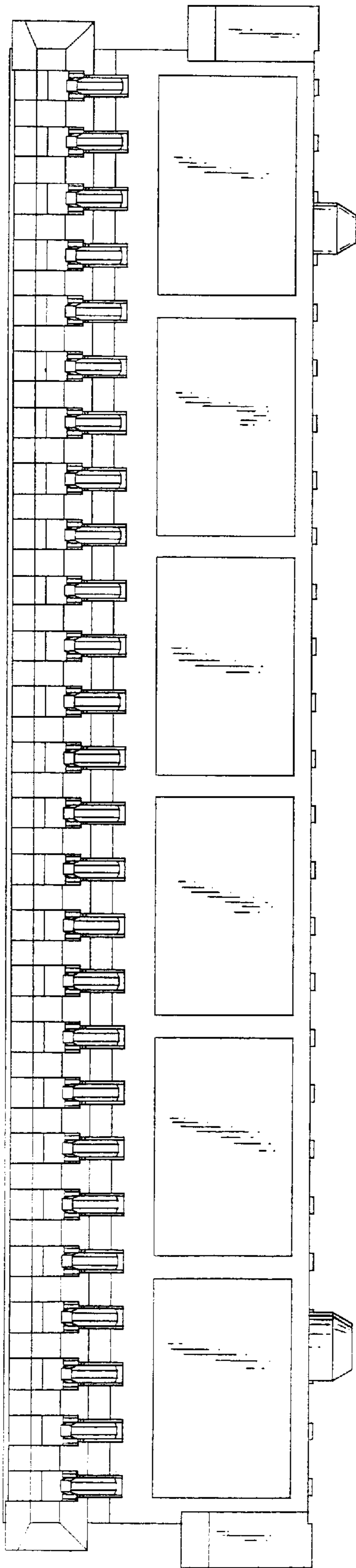


FIG. 1

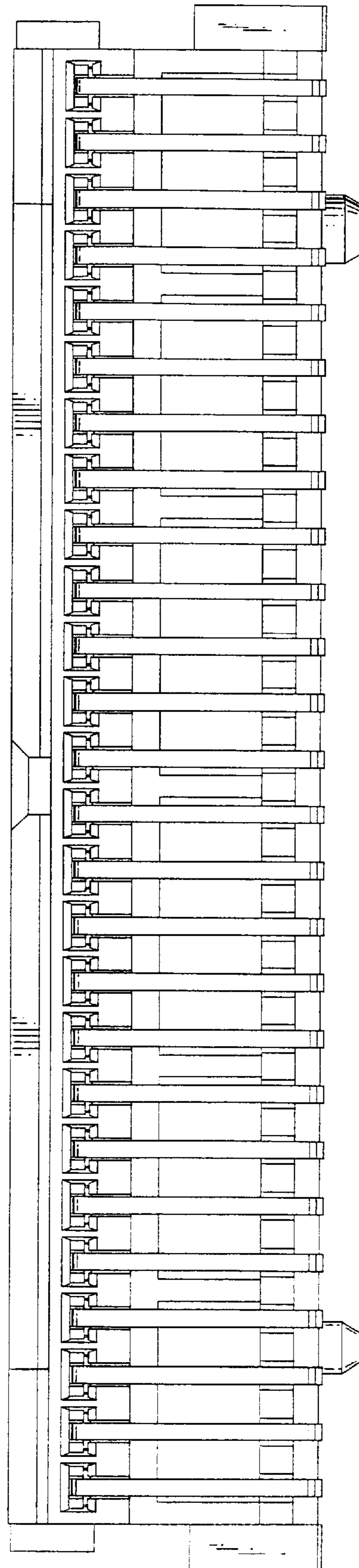


FIG. 2

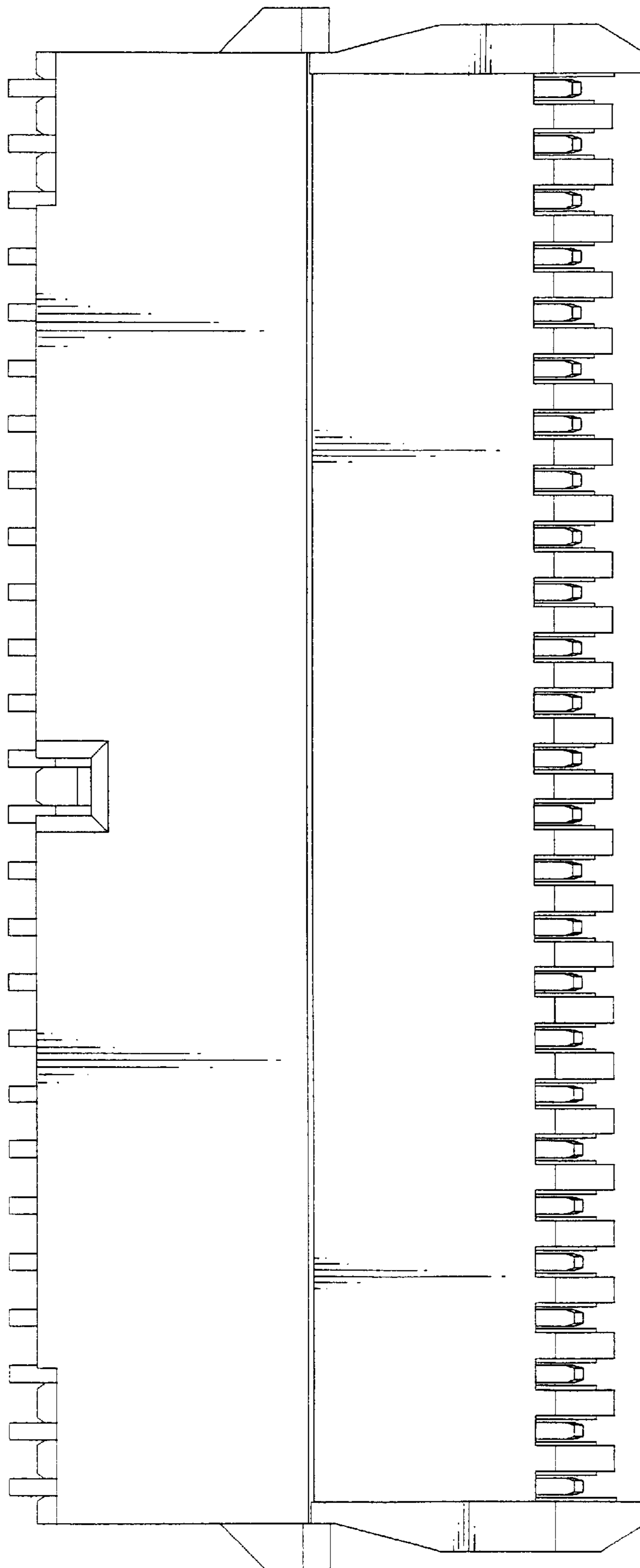


FIG. 3

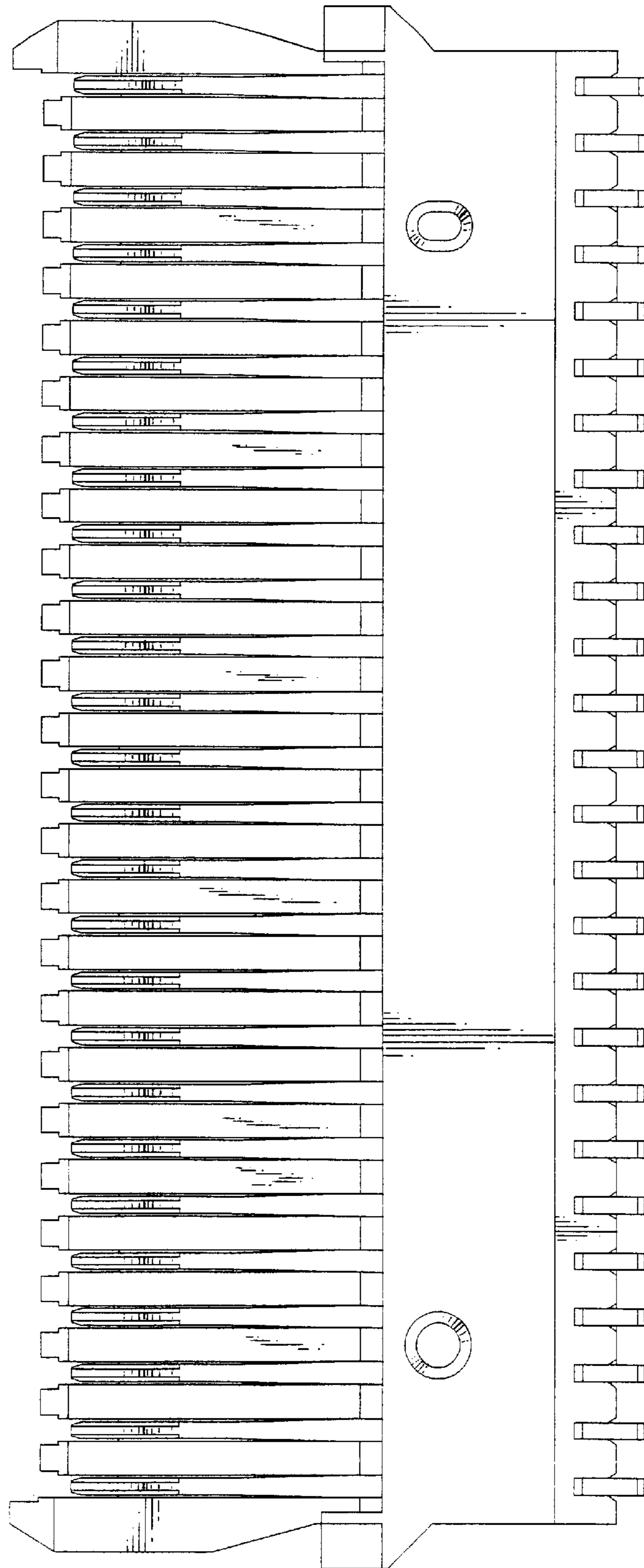


FIG. 4

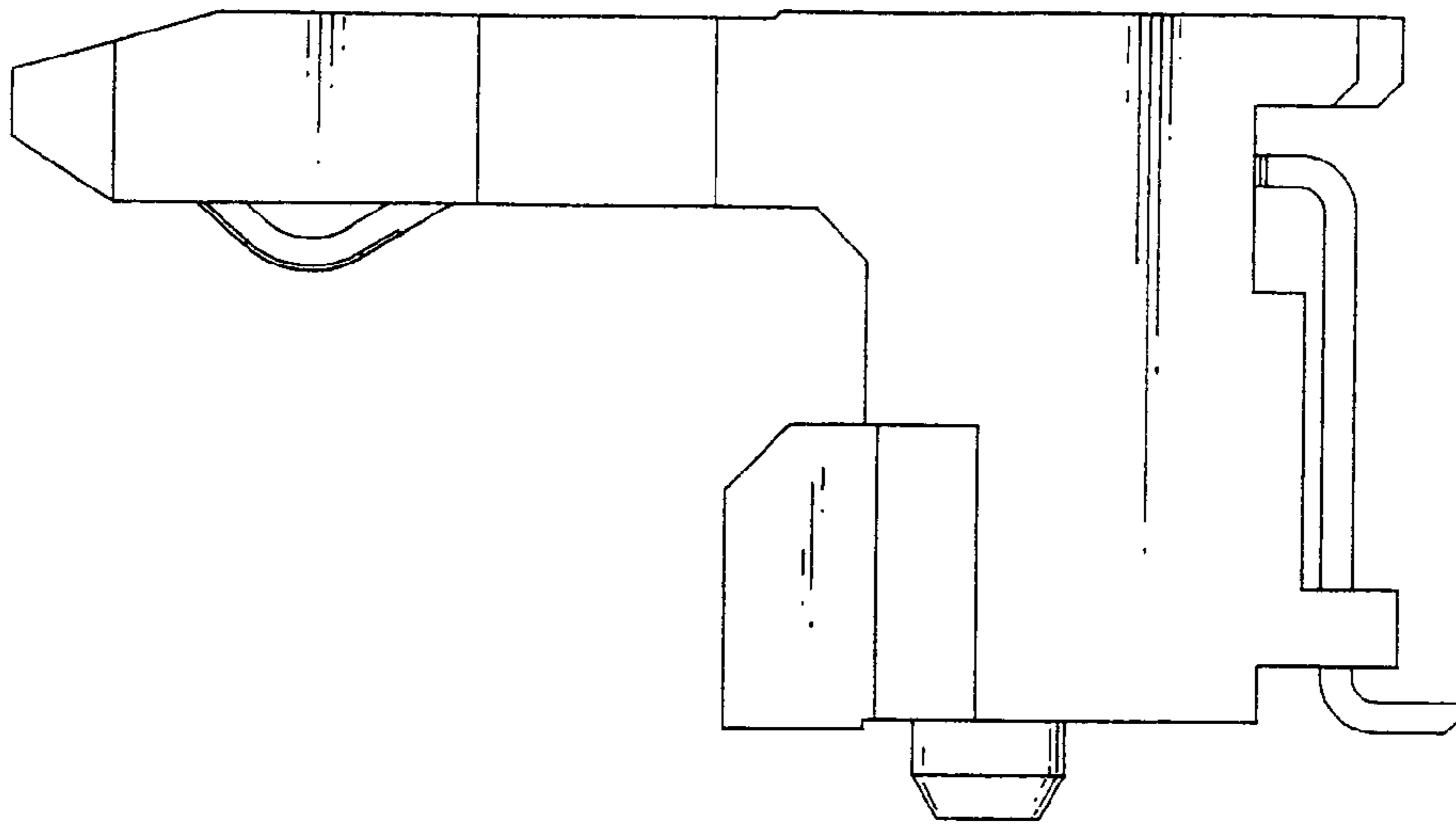


FIG. 5

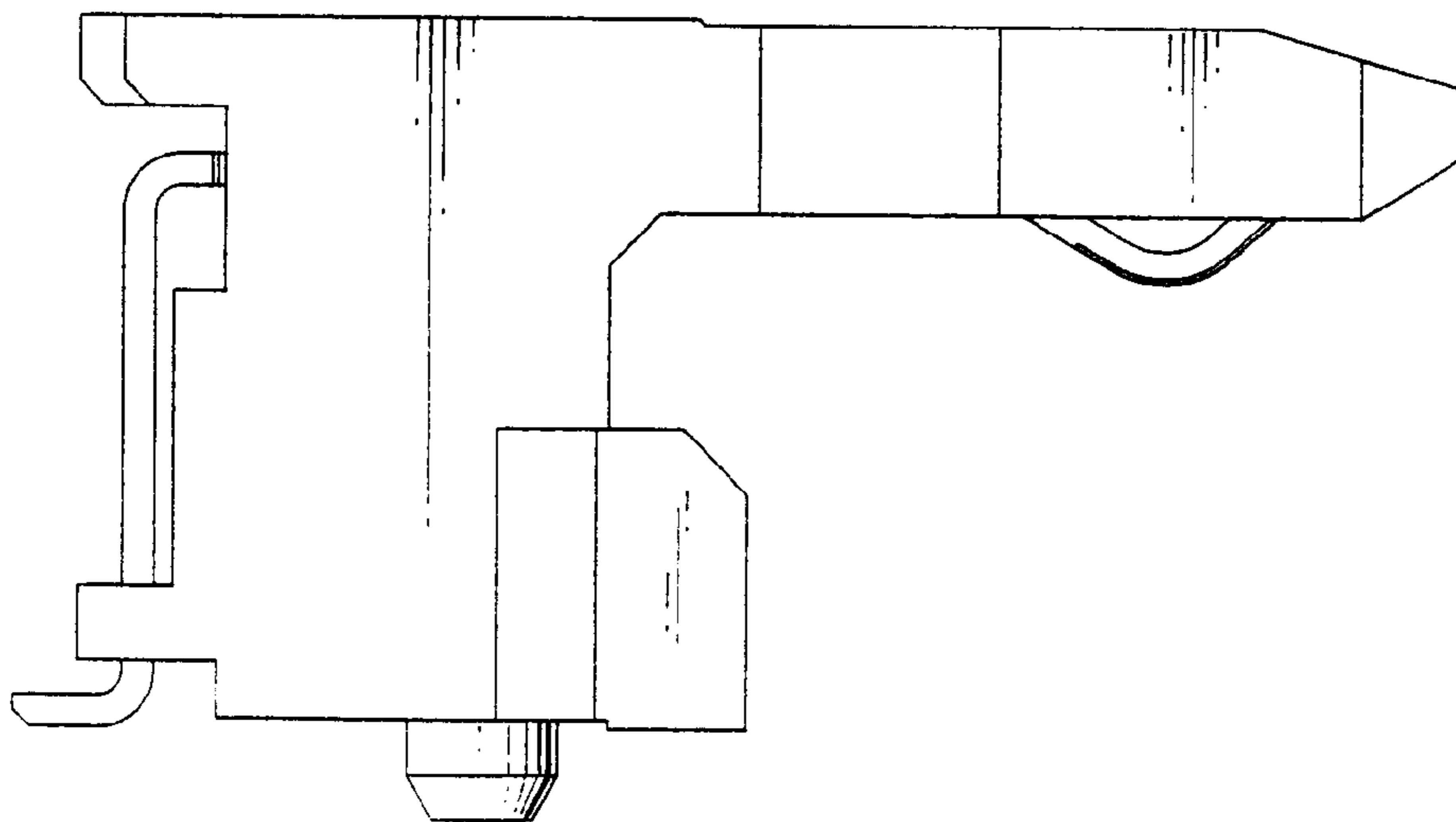


FIG. 6

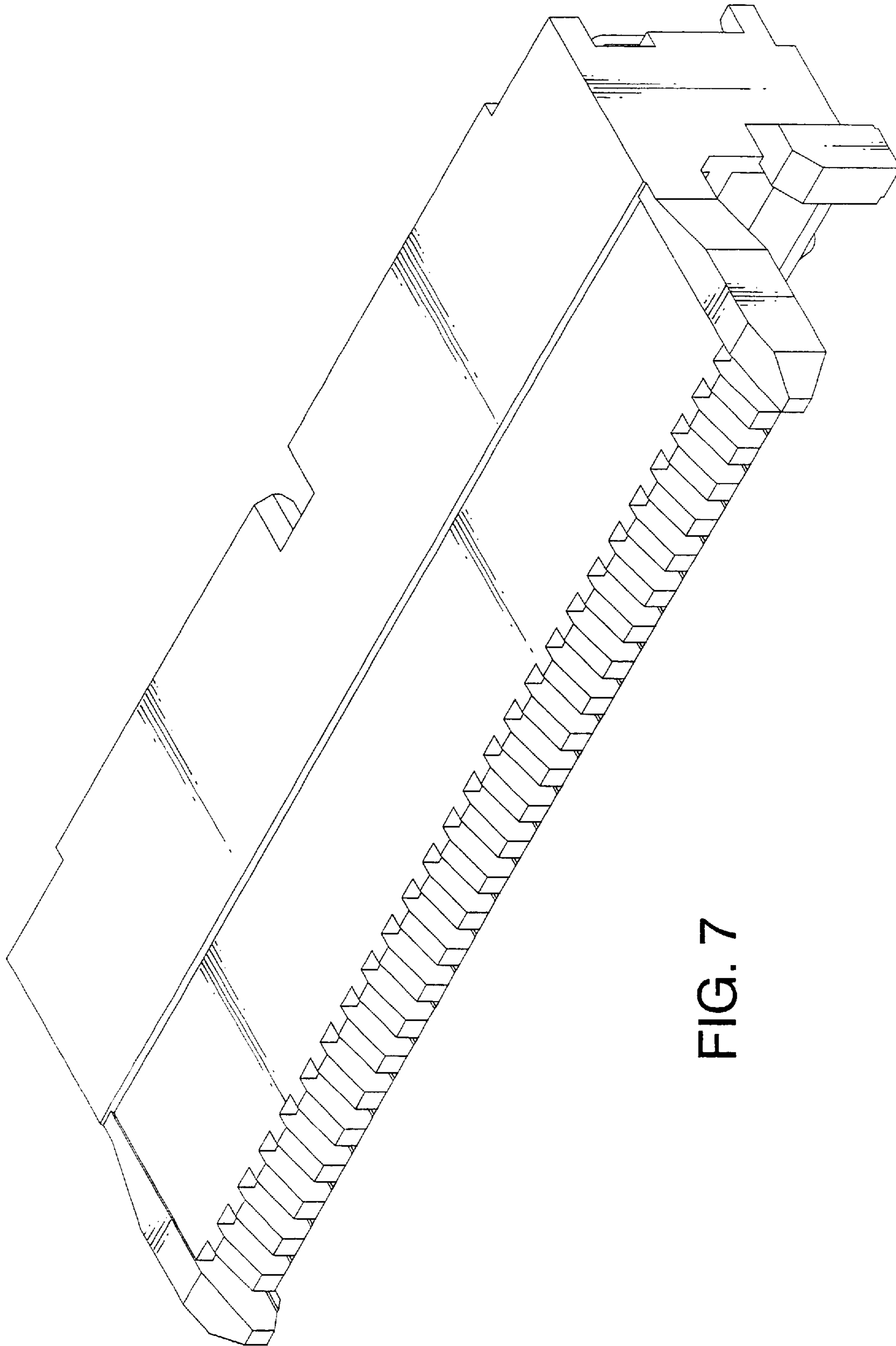


FIG. 7

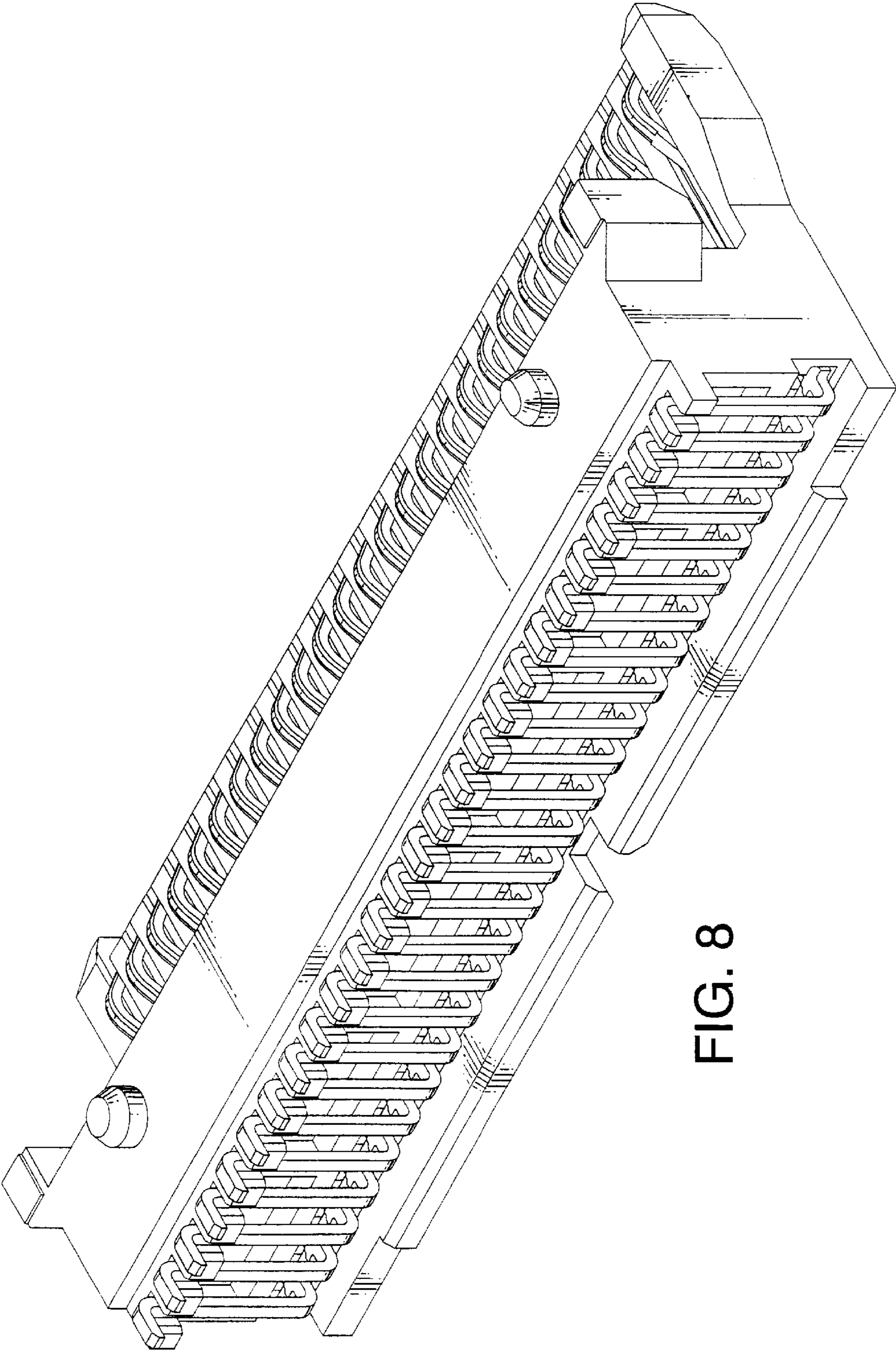


FIG. 8