

US00D517994S

(12) **United States Design Patent**  
**Zhang et al.**

(10) **Patent No.:** **US D517,994 S**

(45) **Date of Patent:** **\*\* Mar. 28, 2006**

(54) **ELECTRICAL CONNECTOR**

(75) Inventors: **An-Yi Zhang**, Kunsan (CN);  
**Chun-Sheng Li**, Kunsan (CN);  
**Bing-Cheng Meng**, Kunsan (CN)

(73) Assignee: **Hon Hai Precision Ind. Co., Ltd.**,  
Taipei Hsien (TW)

(\*\*) **Term:** **14 Years**

(21) **Appl. No.:** **29/224,645**

(22) **Filed:** **Mar. 3, 2005**

(30) **Foreign Application Priority Data**

Dec. 14, 2004 (CN) ..... 200430054690

(51) **LOC (8) Cl.** ..... **13-03**

(52) **U.S. Cl.** ..... **D13/147**

(58) **Field of Classification Search** ..... D13/133,  
D13/146-147, 184, 199; 439/101, 108, 378,  
439/607-608, 638-639, 677-681, 752  
See application file for complete search history.

(56) **References Cited**

**U.S. PATENT DOCUMENTS**

D318,266 S \* 7/1991 Matsuzaki ..... D13/147  
D408,014 S \* 4/1999 Lai et al. .... D13/147

D412,700 S \* 8/1999 Gardner et al. .... D13/147  
D416,538 S \* 11/1999 Lok ..... D13/147  
D434,383 S \* 11/2000 Hu et al. .... D13/147  
6,152,773 A \* 11/2000 Chen ..... 439/607  
D434,728 S \* 12/2000 Huang ..... D13/147  
D435,245 S \* 12/2000 Hwang ..... D13/147  
6,203,374 B1 \* 3/2001 Huang et al. .... 439/607  
D471,872 S \* 3/2003 Kawase ..... D13/147  
6,702,615 B1 \* 3/2004 Fan ..... 439/607  
D491,527 S \* 6/2004 Fan ..... D13/147

\* cited by examiner

*Primary Examiner*—Stella Reid

*Assistant Examiner*—Daniel Bui

(74) *Attorney, Agent, or Firm*—Wei Te Chung

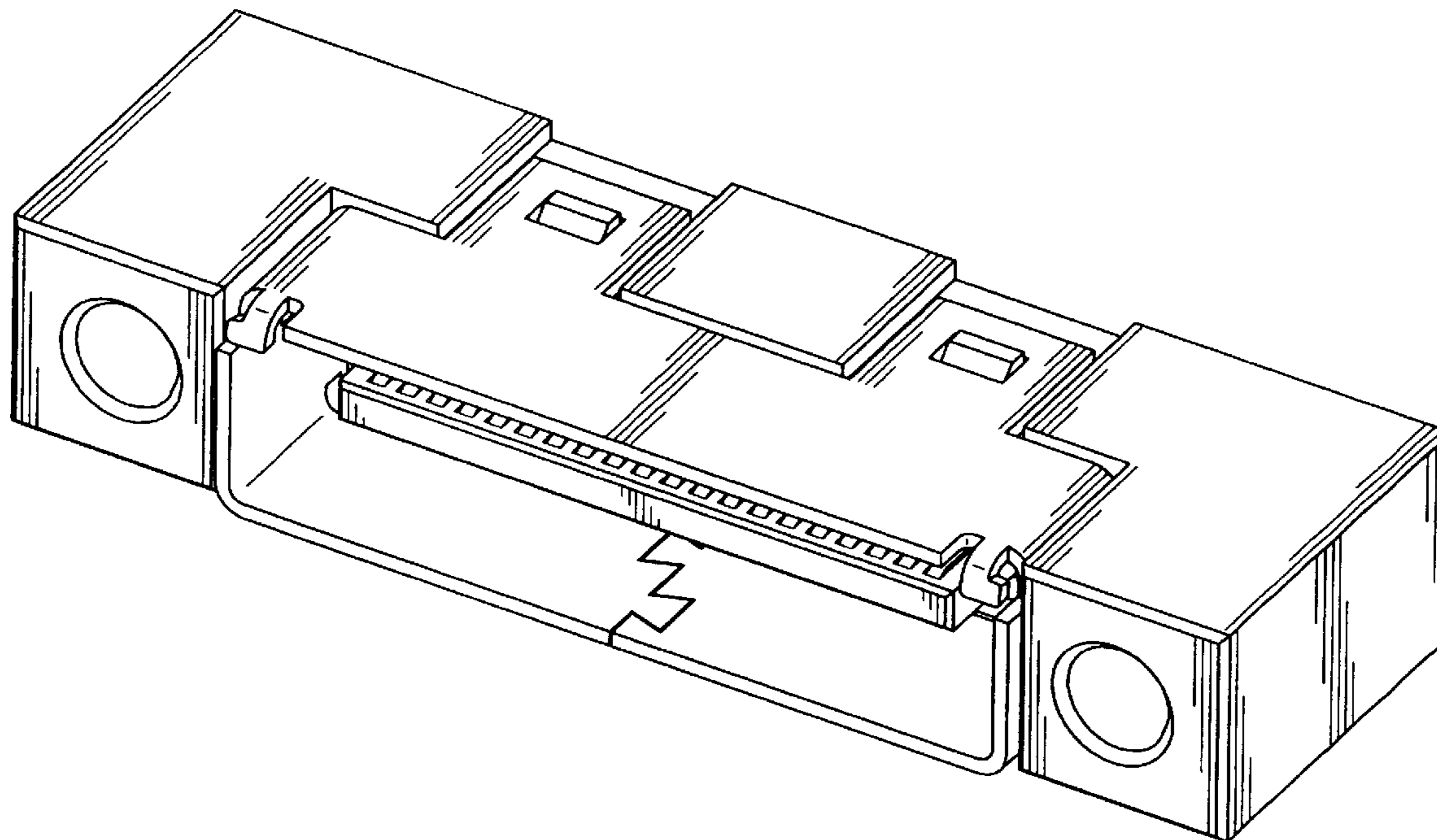
(57) **CLAIM**

The ornamental design for an electrical connector, as shown.

**DESCRIPTION**

FIG. 1 is a front, top and right side perspective view of an electrical connector showing our new design; FIG. 2 is a front elevational view thereof; FIG. 3 is a rear elevational view thereof; FIG. 4 is a left side elevational view thereof; FIG. 5 is a right side elevational view thereof; FIG. 6 is a top plan view thereof; and, FIG. 7 is a bottom plan view thereof.

**1 Claim, 6 Drawing Sheets**



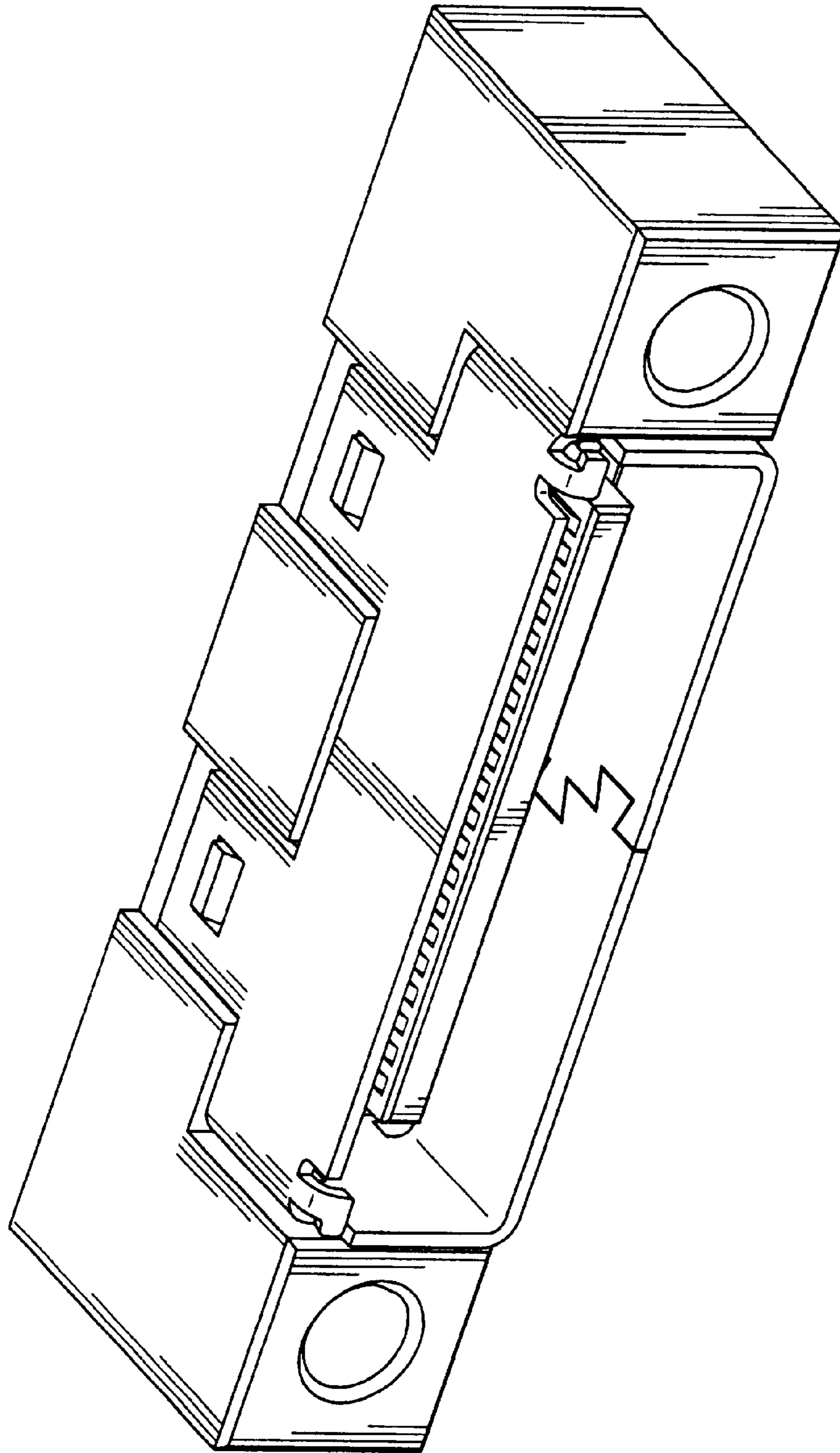


FIG. 1

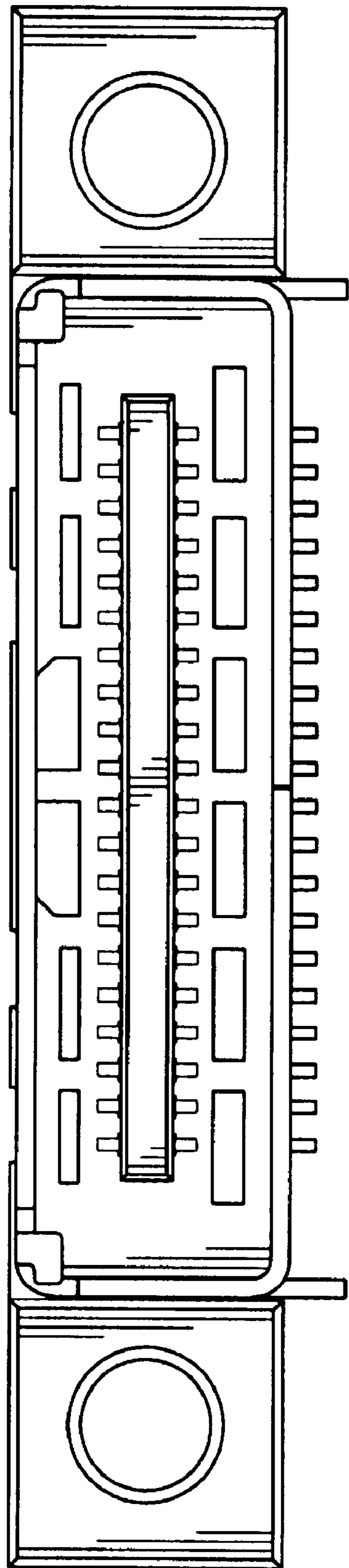


FIG. 2

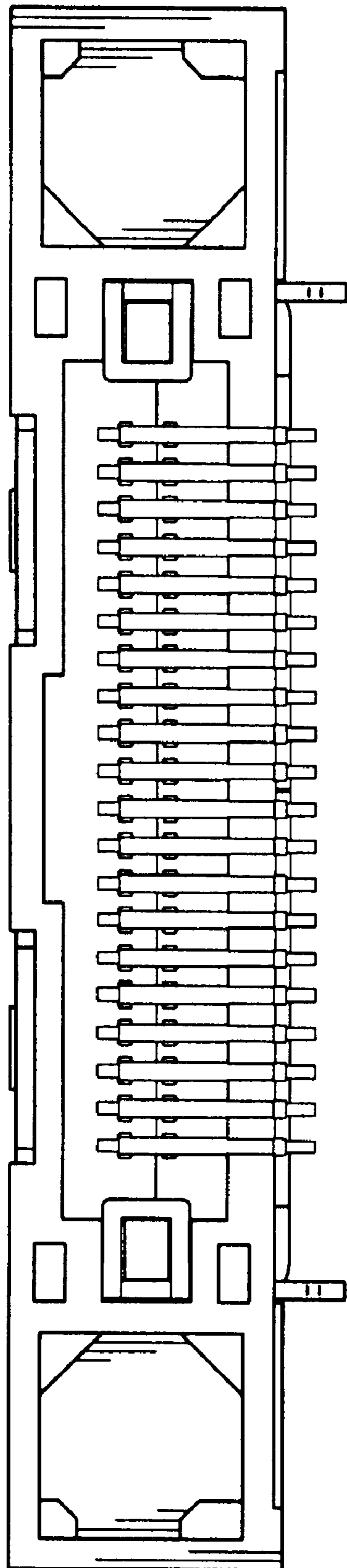


FIG. 3

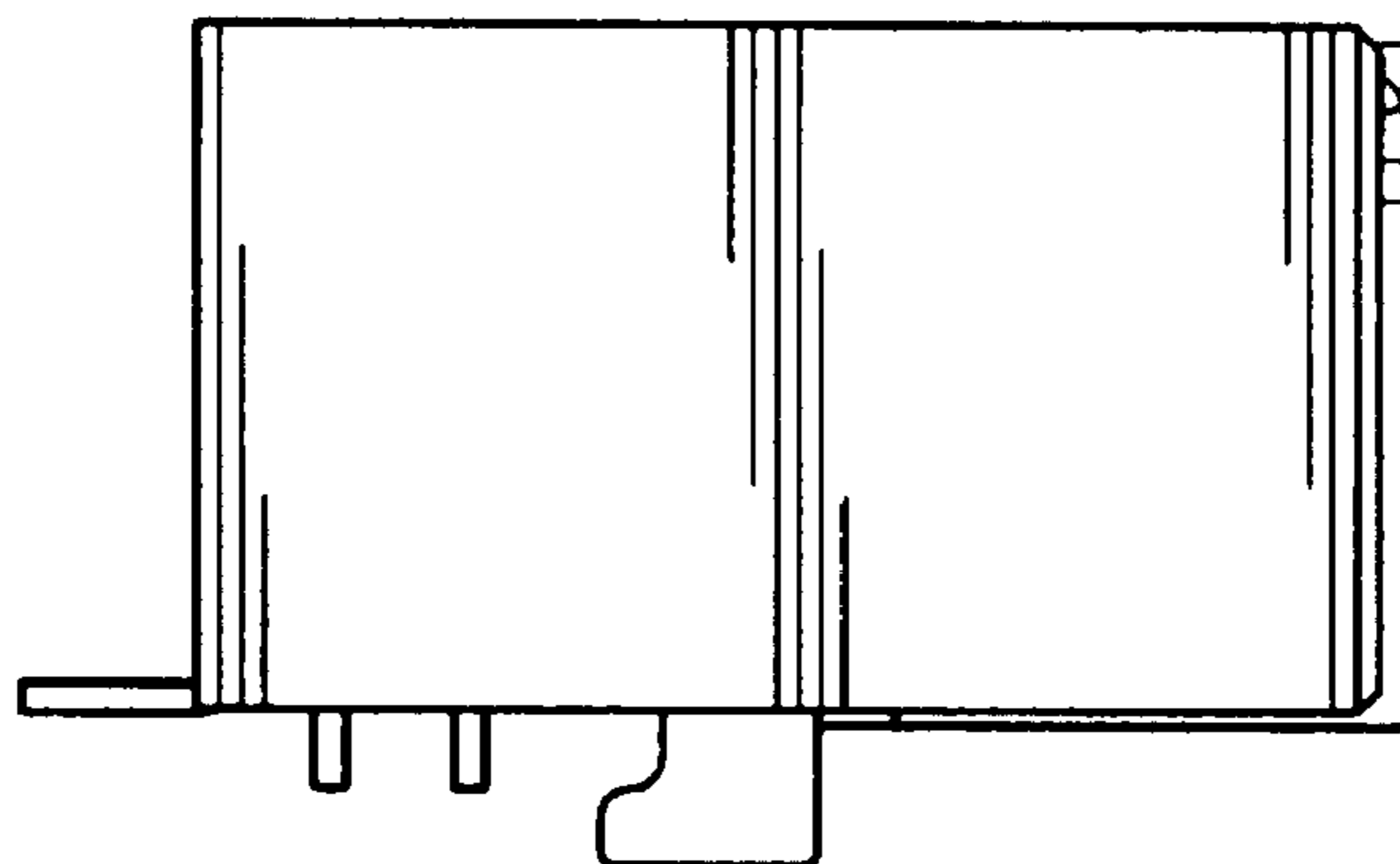


FIG. 4

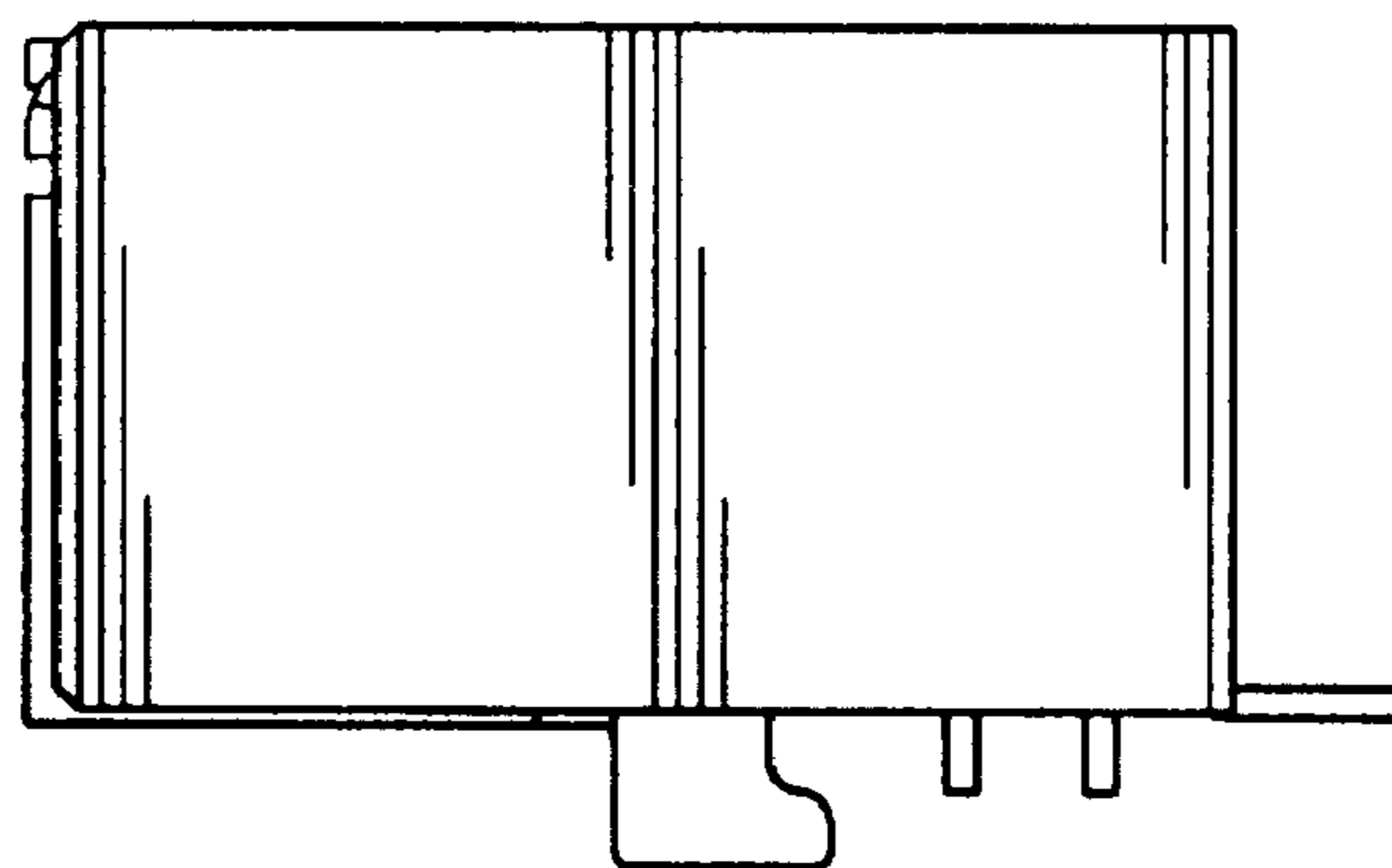


FIG. 5

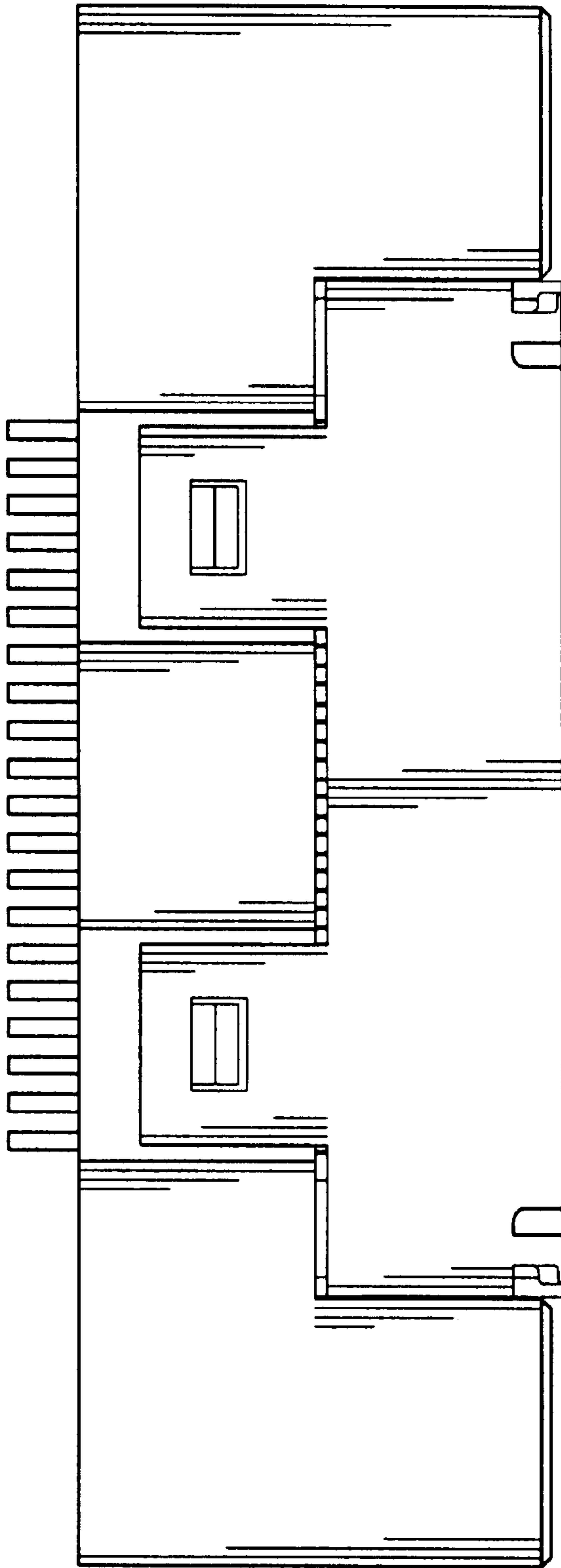


FIG. 6

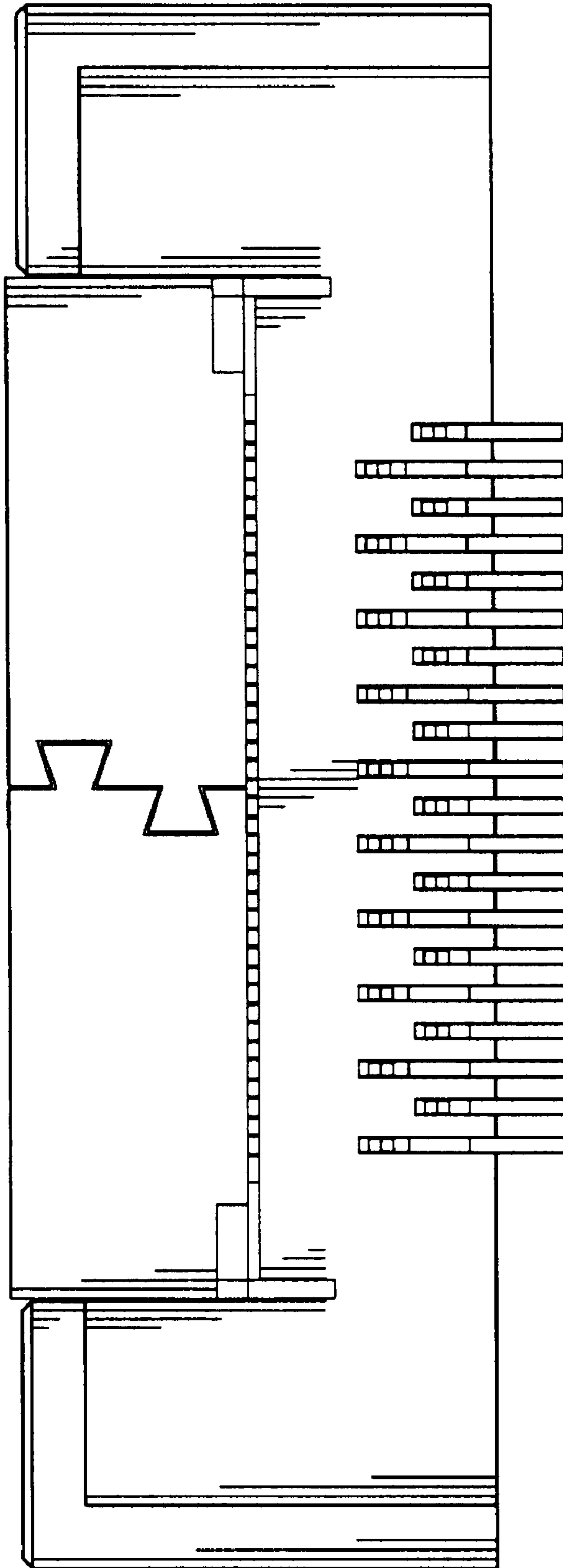


FIG. 7