



US00D517989S

(12) **United States Design Patent**
Kimura et al.

(10) **Patent No.:** **US D517,989 S**

(45) **Date of Patent:** **** Mar. 28, 2006**

(54) **ELECTRICAL CONNECTOR**

(75) Inventors: **Akira Kimura**, Tokyo (JP); **Masayuki Katayanagi**, Tokyo (JP)

(73) Assignee: **Japan Aviation Electronics Industry, Limited**, Tokyo (JP)

(**) Term: **14 Years**

(21) Appl. No.: **29/217,992**

(22) Filed: **Nov. 24, 2004**

(30) **Foreign Application Priority Data**

May 28, 2004 (JP) 2004-018956

(51) **LOC (8) Cl.** **13-03**

(52) **U.S. Cl.** **D13/147**

(58) **Field of Classification Search** D13/133,
D13/146-147, 184, 199; 439/74, 78-79,
439/83, 108, 181, 607-610, 637-638, 660
See application file for complete search history.

(56) **References Cited**

U.S. PATENT DOCUMENTS

- D236,349 S * 8/1975 Ahmed D13/147
- D293,432 S * 12/1987 Masuda D13/147
- D323,484 S * 1/1992 Takayanagi D13/147

- 5,096,428 A * 3/1992 Lwee et al. 439/79
- D371,542 S * 7/1996 Takayasu D13/147
- D378,208 S * 2/1997 Saito D13/147
- 5,823,799 A * 10/1998 Tor et al. 439/79
- 6,354,871 B1 * 3/2002 Hatakeyama 439/573
- 2004/0121651 A1 * 6/2004 Guo 439/607

* cited by examiner

Primary Examiner—Stella Reid

Assistant Examiner—Daniel Bui

(74) *Attorney, Agent, or Firm*—Collard & Roe, P.C.

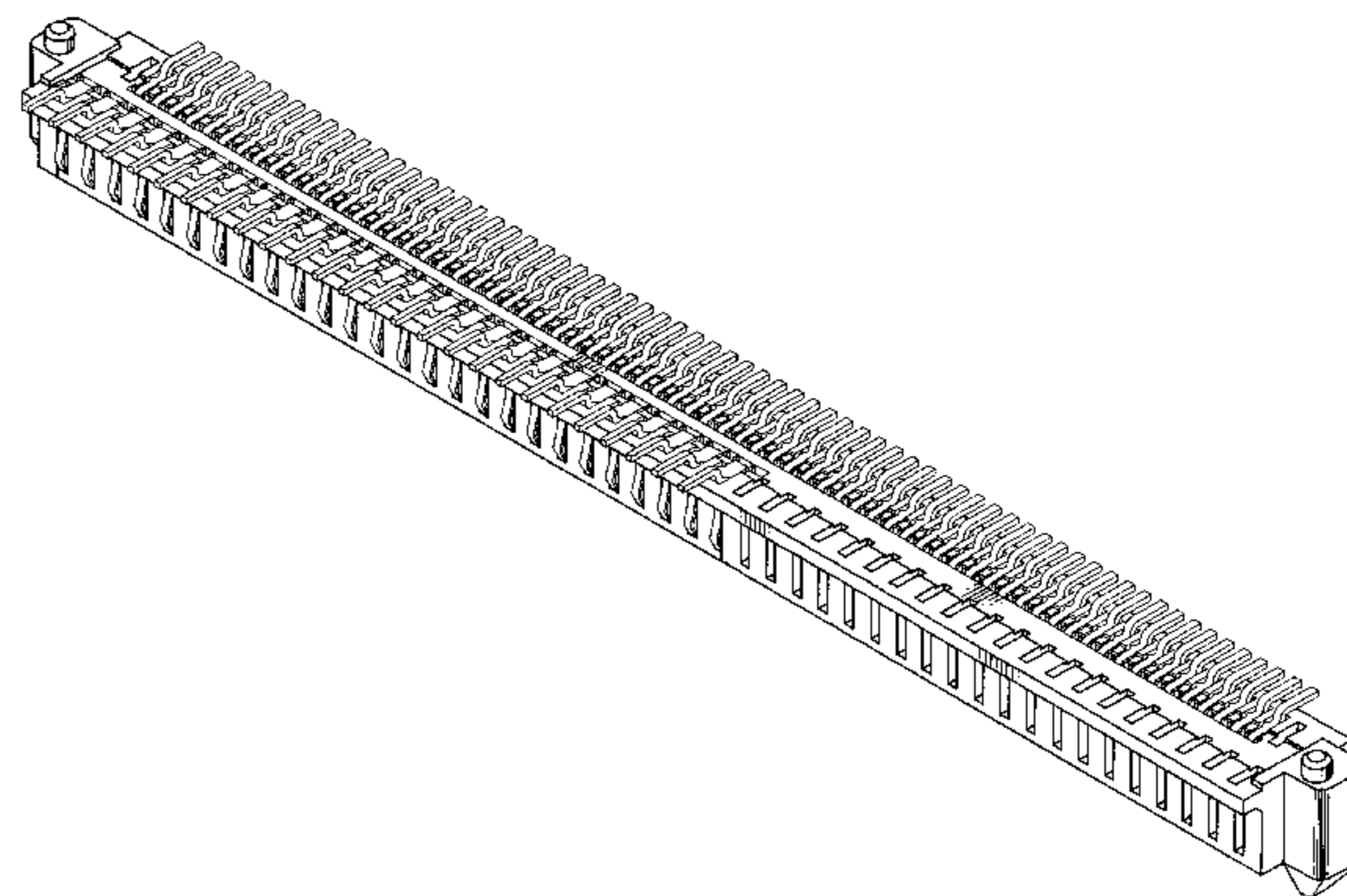
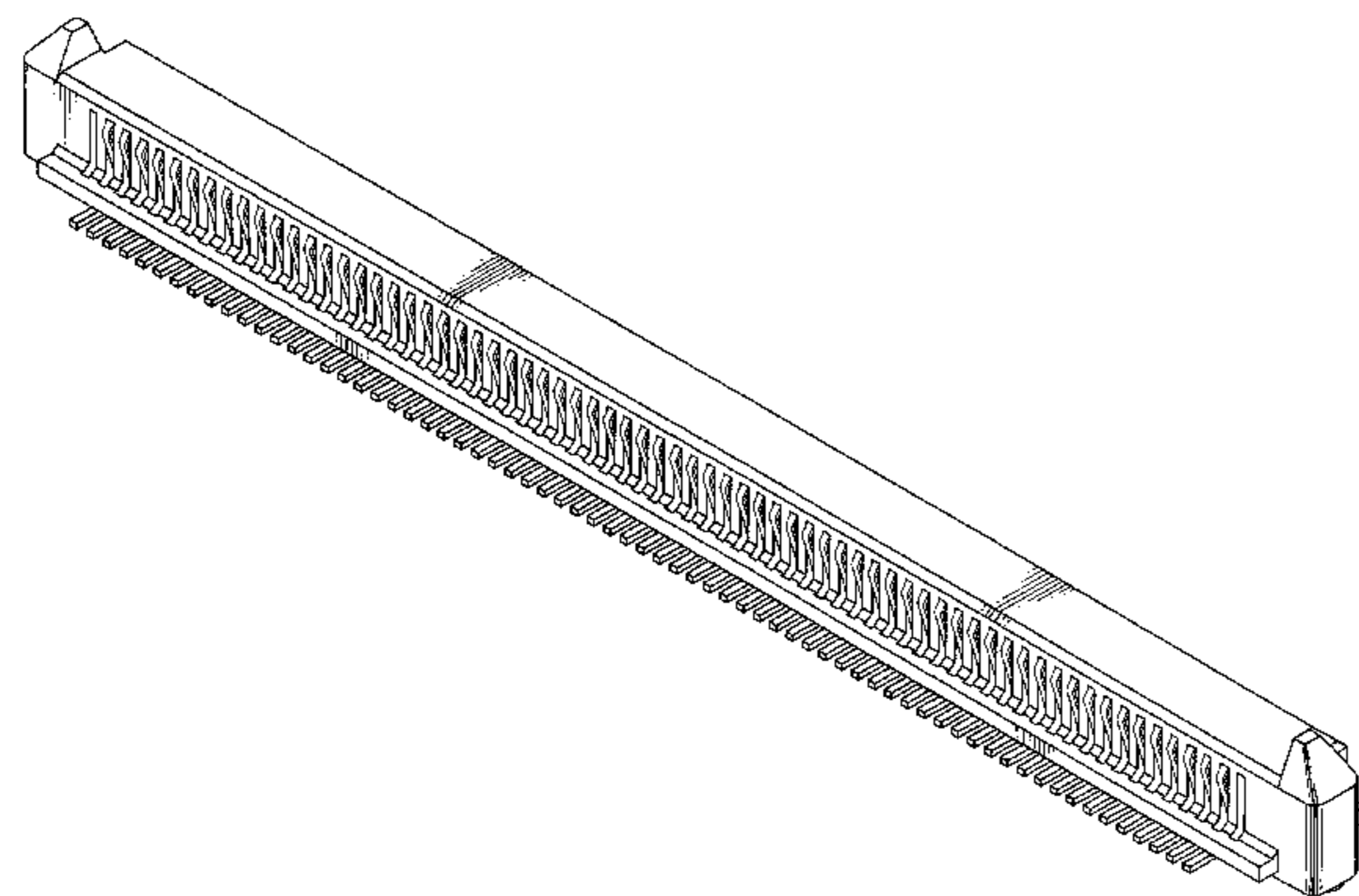
(57) **CLAIM**

The ornamental design for an electrical connector, as shown and described.

DESCRIPTION

FIG. 1 is a front elevational view of an electrical connector
 FIG. 2 is a rear elevational view thereof;
 FIG. 3 is a top plan view thereof;
 FIG. 4 is a bottom plan view thereof;
 FIG. 5 is a left side elevational view thereof;
 FIG. 6 is a right side elevational view thereof;
 FIG. 7 is a front, top, and right side perspective view thereof;
 and,
 FIG. 8 is a rear, bottom, and right side perspective view thereof.

1 Claim, 5 Drawing Sheets



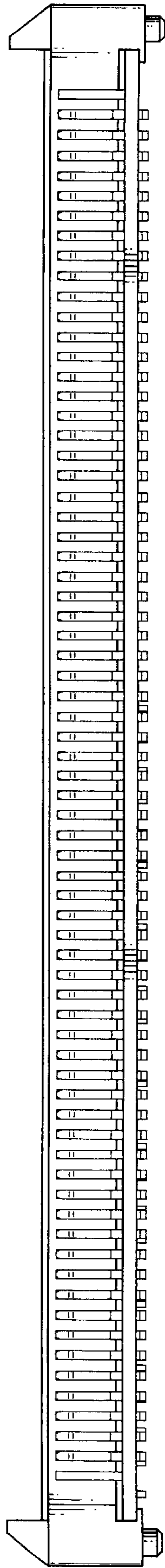


FIG. 1

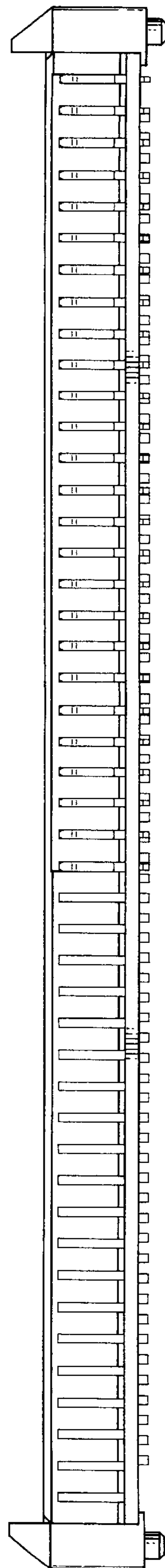


FIG. 2

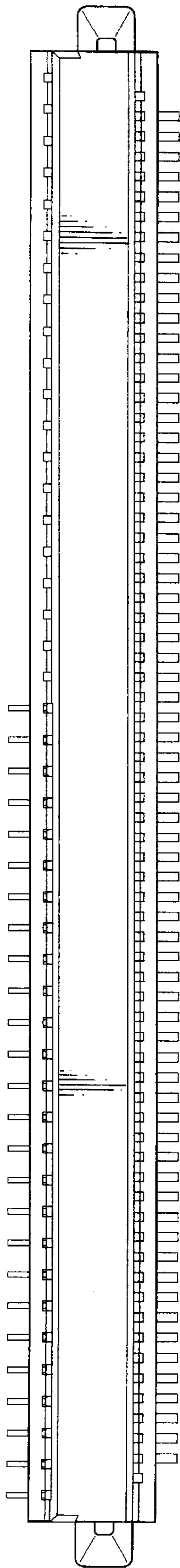


FIG. 3

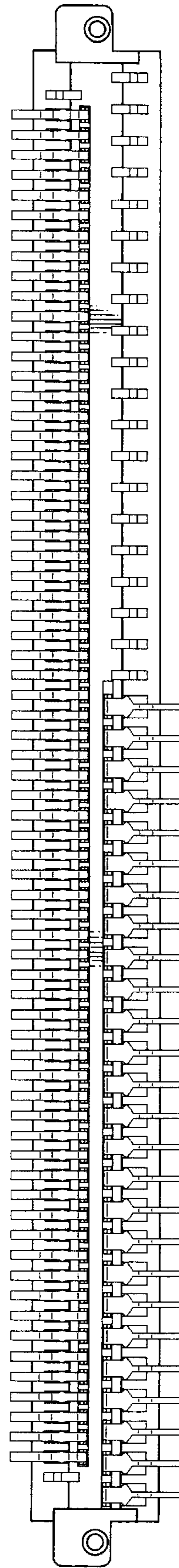


FIG. 4

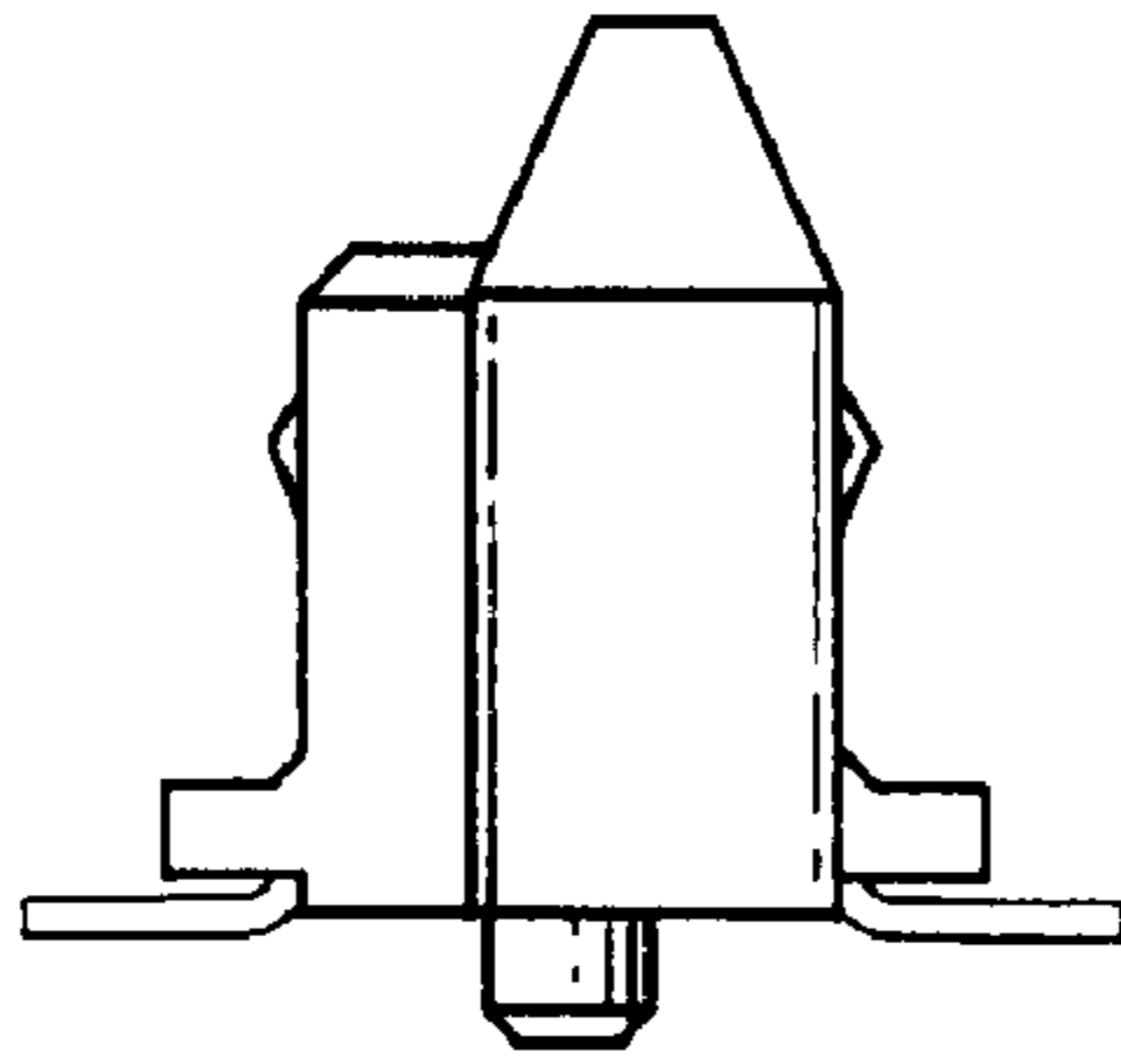


FIG. 5

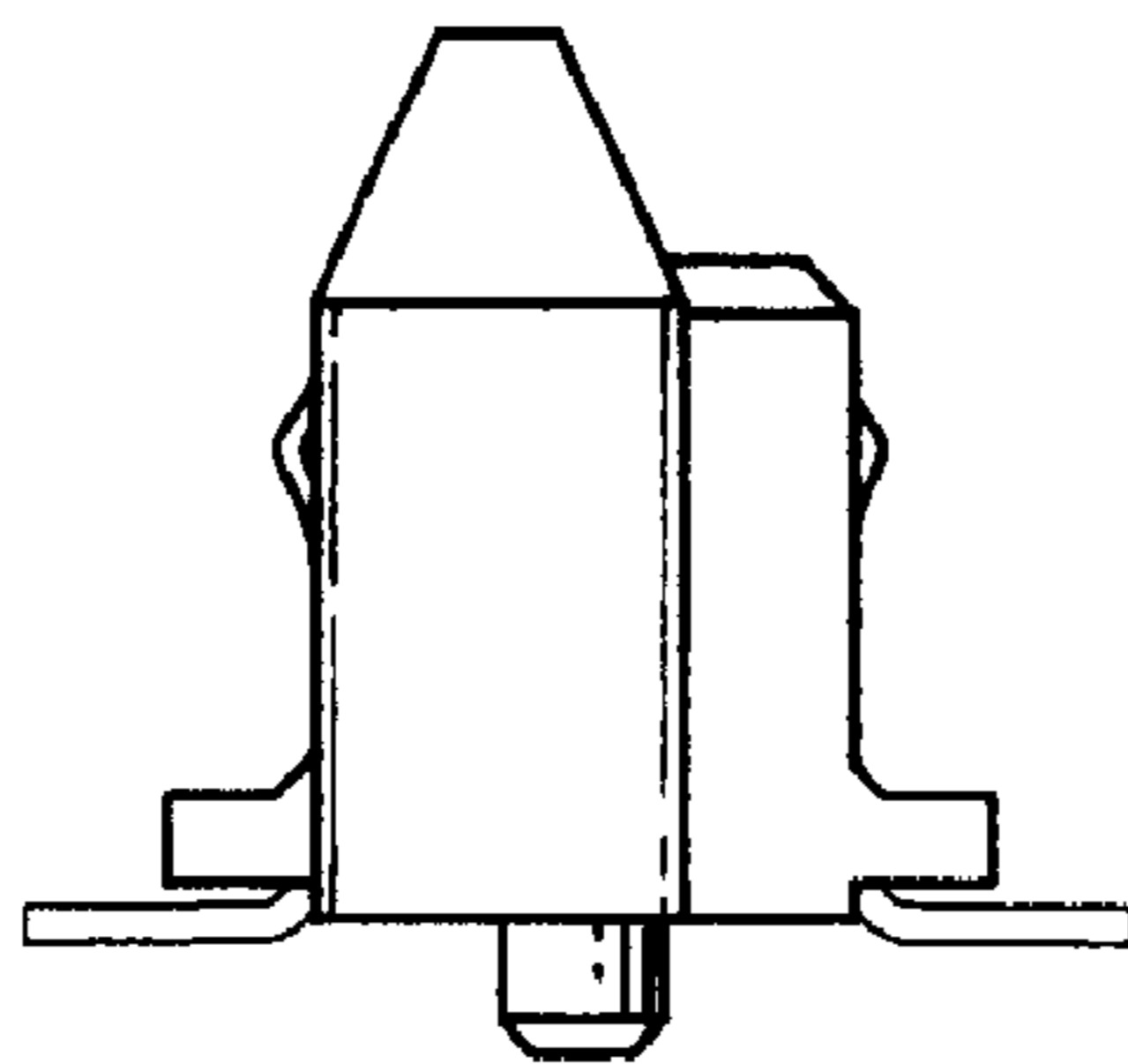


FIG. 6

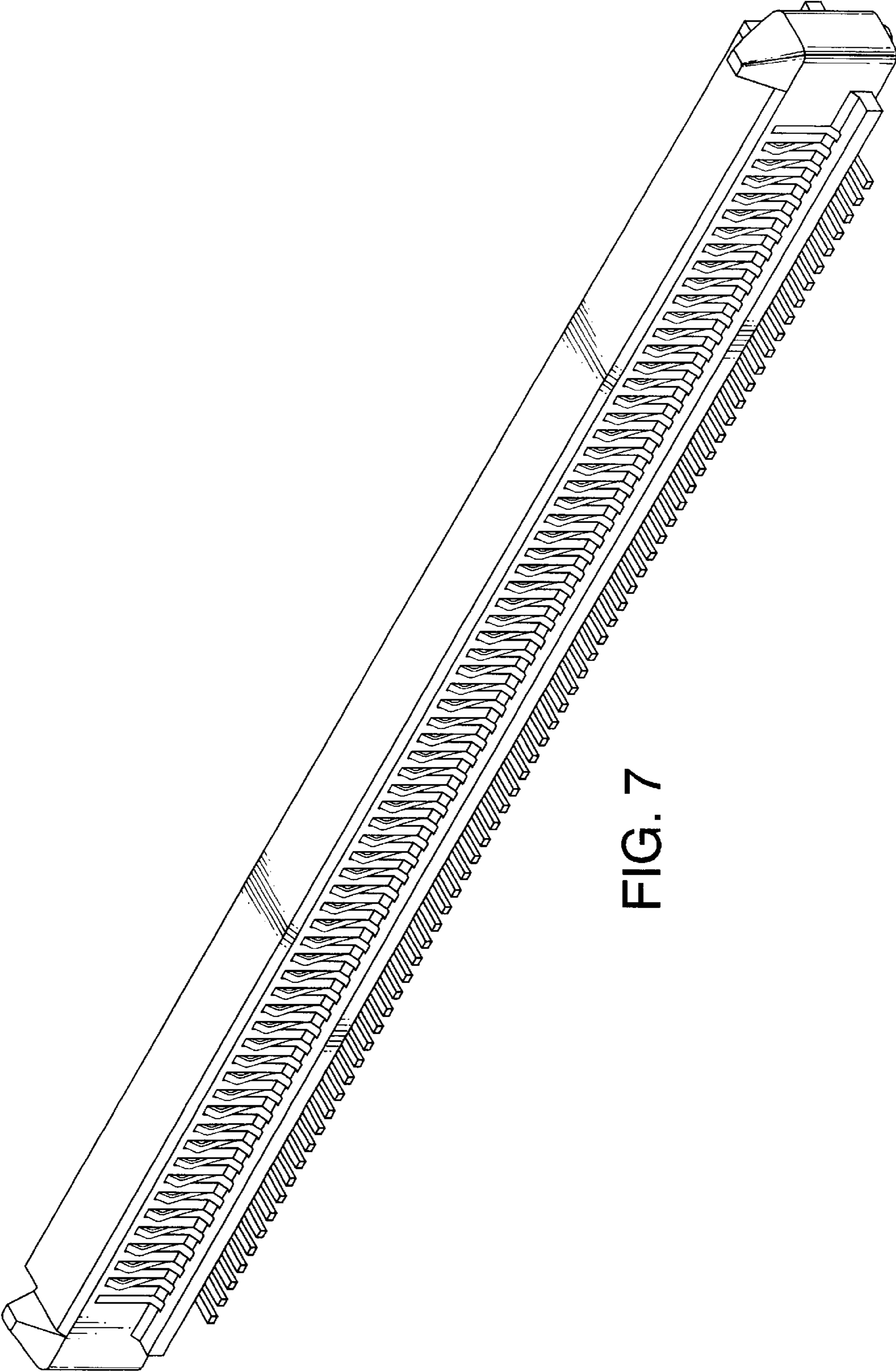


FIG. 7

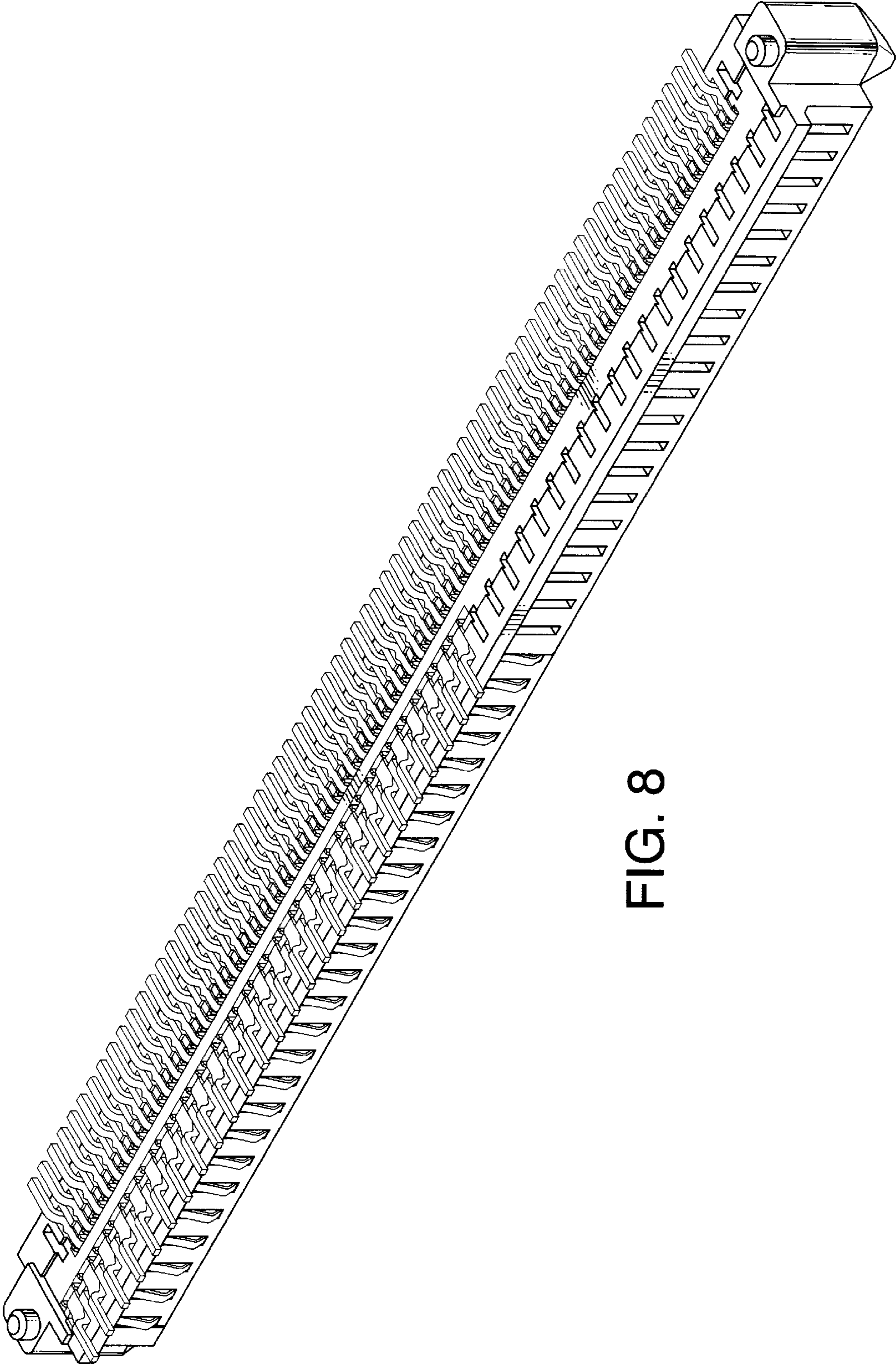


FIG. 8