



US00D517988S

(12) **United States Design Patent**
Ihde et al.

(10) **Patent No.:** **US D517,988 S**
(45) **Date of Patent:** **** Mar. 28, 2006**

(54) **BATTERY BOX**

(75) Inventors: **David Ihde**, Osage City, KS (US);
Jimmie Barnes, Emporia, KS (US)

(73) Assignee: **Hopkins Manufacturing Corporation**,
Emporia, KS (US)

(**) Term: **14 Years**

(21) Appl. No.: **29/225,898**

(22) Filed: **Mar. 22, 2005**

(51) **LOC (8) Cl.** **13-02**

(52) **U.S. Cl.** **D13/119; D13/103**

(58) **Field of Classification Search** D13/102-107,
D13/110, 118-119, 152, 184; 429/96-100,
429/159, 163, 176; 180/68.5

See application file for complete search history.

(56) **References Cited**

U.S. PATENT DOCUMENTS

D209,512 S	*	12/1967	Barker	D13/119
3,741,815 A		6/1973	Peterson		
D252,354 S		7/1979	Uyeda		
4,160,857 A	*	7/1979	Nardella et al.	429/97
4,729,059 A		3/1988	Wang		
D298,029 S		10/1988	Foster		
4,827,504 A		5/1989	Collins et al.		
5,004,129 A	*	4/1991	Loch et al.	220/203.09
D321,680 S		11/1991	Blount et al.		

D356,891 S	*	4/1995	Hobson	D3/294
D360,877 S	*	8/1995	Ropponen et al.	D13/184
5,529,205 A		6/1996	Corney et al.		
5,901,220 A		5/1999	Garver et al.		
D423,459 S	*	4/2000	Takase et al.	D13/152
D428,603 S	*	7/2000	Sonntag	D13/184
D437,586 S	*	2/2001	Sonntag	D13/184
D495,994 S	*	9/2004	Arakelian	D13/119
D499,070 S		11/2004	Lavington		

* cited by examiner

Primary Examiner—Alan P. Douglas

Assistant Examiner—Rosemary K. Tarcza

(74) *Attorney, Agent, or Firm*—Hovey Williams LLP;
Thomas B. Luebbering

(57) **CLAIM**

The ornamental design for a battery box, as shown and described.

DESCRIPTION

FIG. 1 is an isometric view of the battery box showing a new design;

FIG. 2 is a plan view of the battery box;

FIG. 3 is a front elevational view of the battery box;

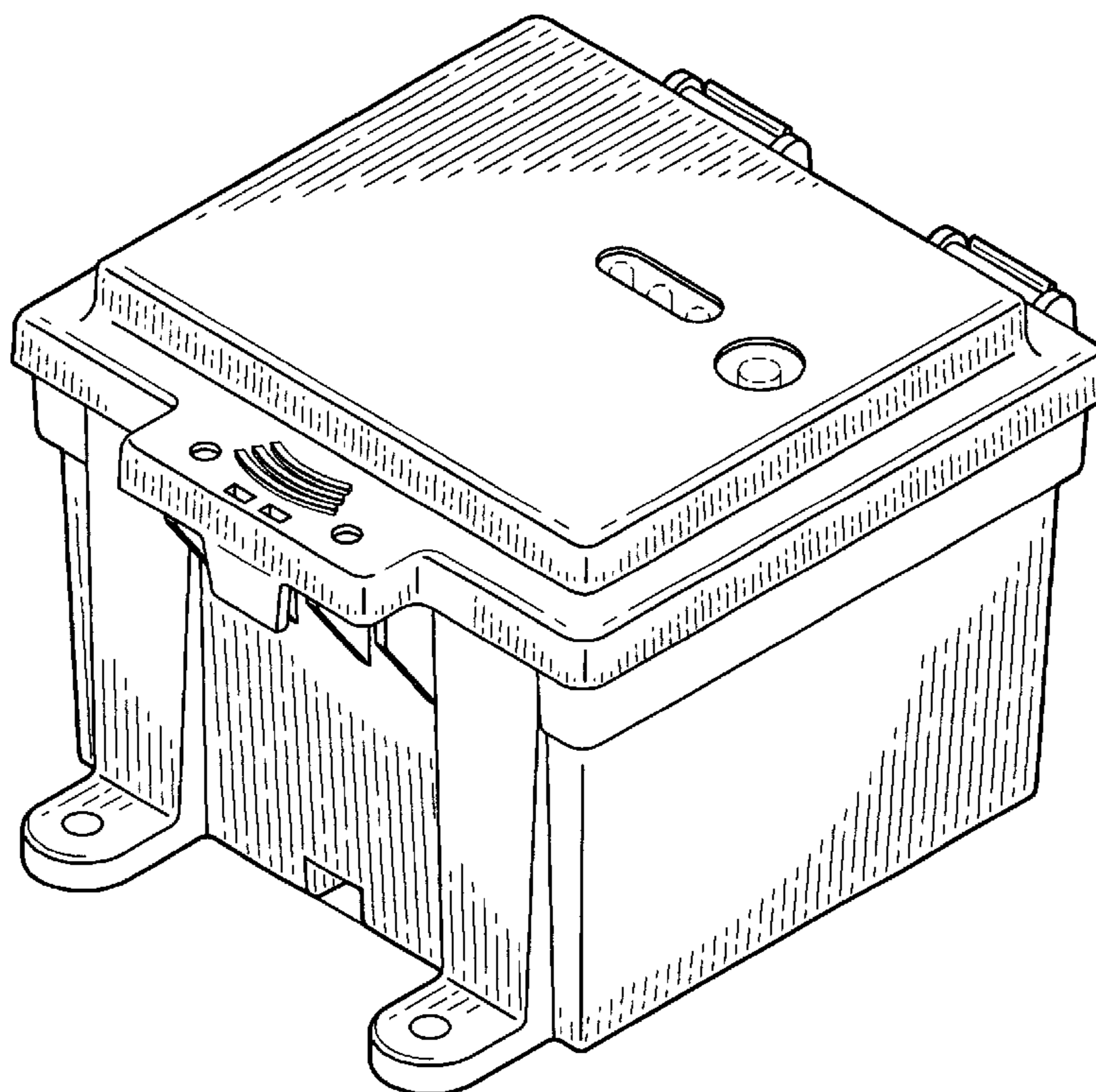
FIG. 4 is a right side elevational view of the battery box;

FIG. 5 is a rear elevational view of the battery box;

FIG. 6 is a left side elevational view of the battery box; and,

FIG. 7 is a bottom view of the battery box.

1 Claim, 4 Drawing Sheets



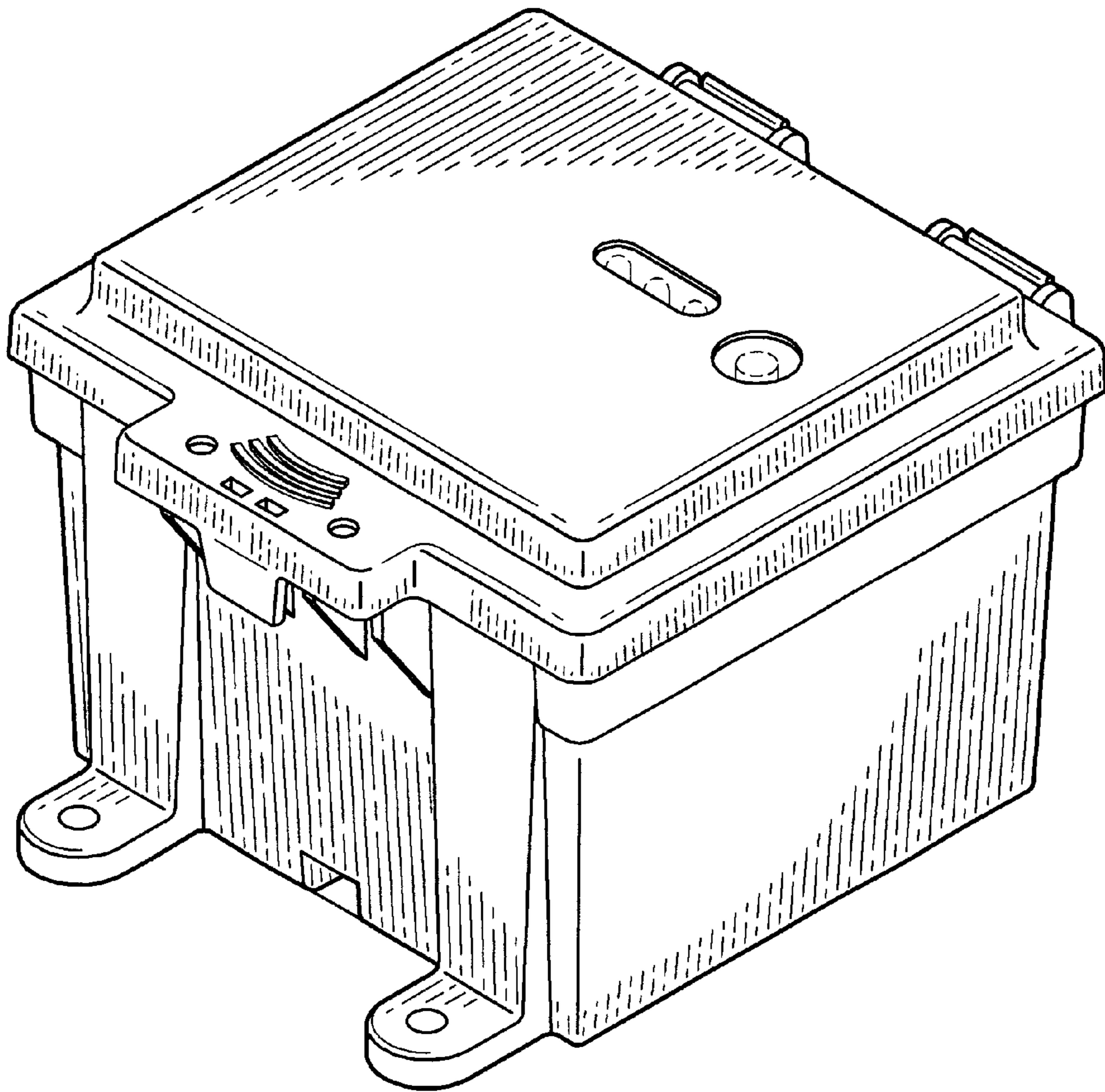


Fig. 1

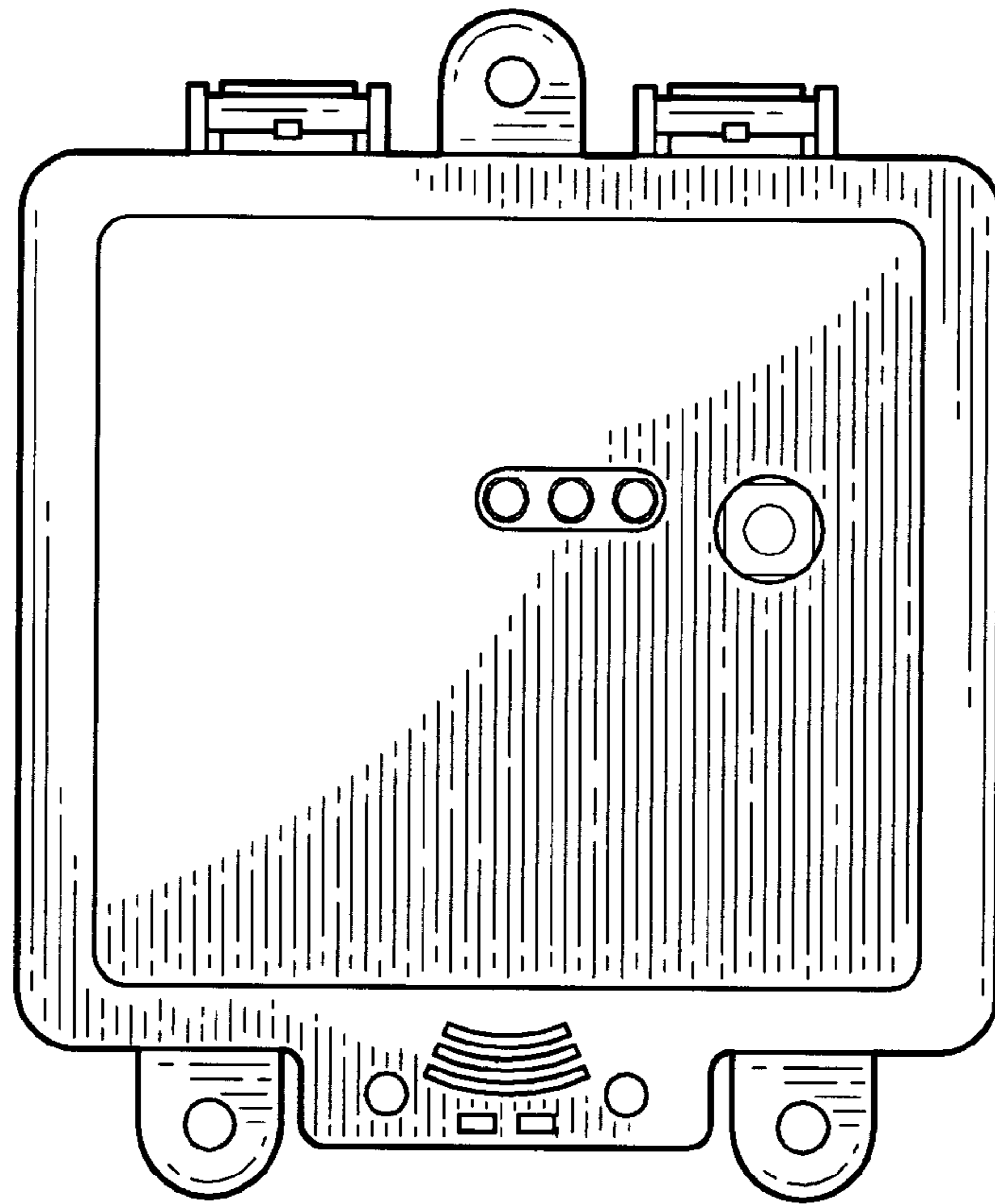


Fig. 2

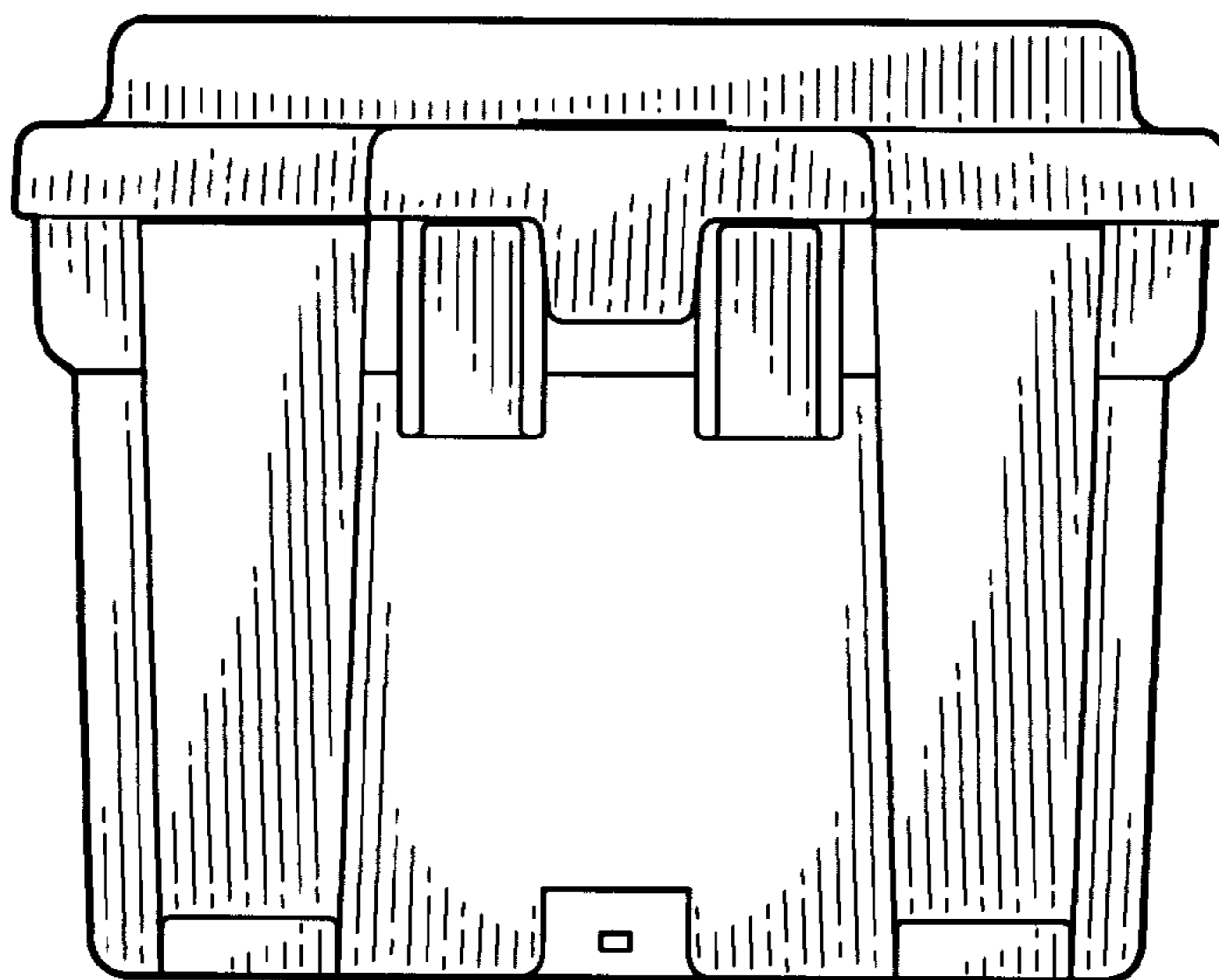


Fig. 3

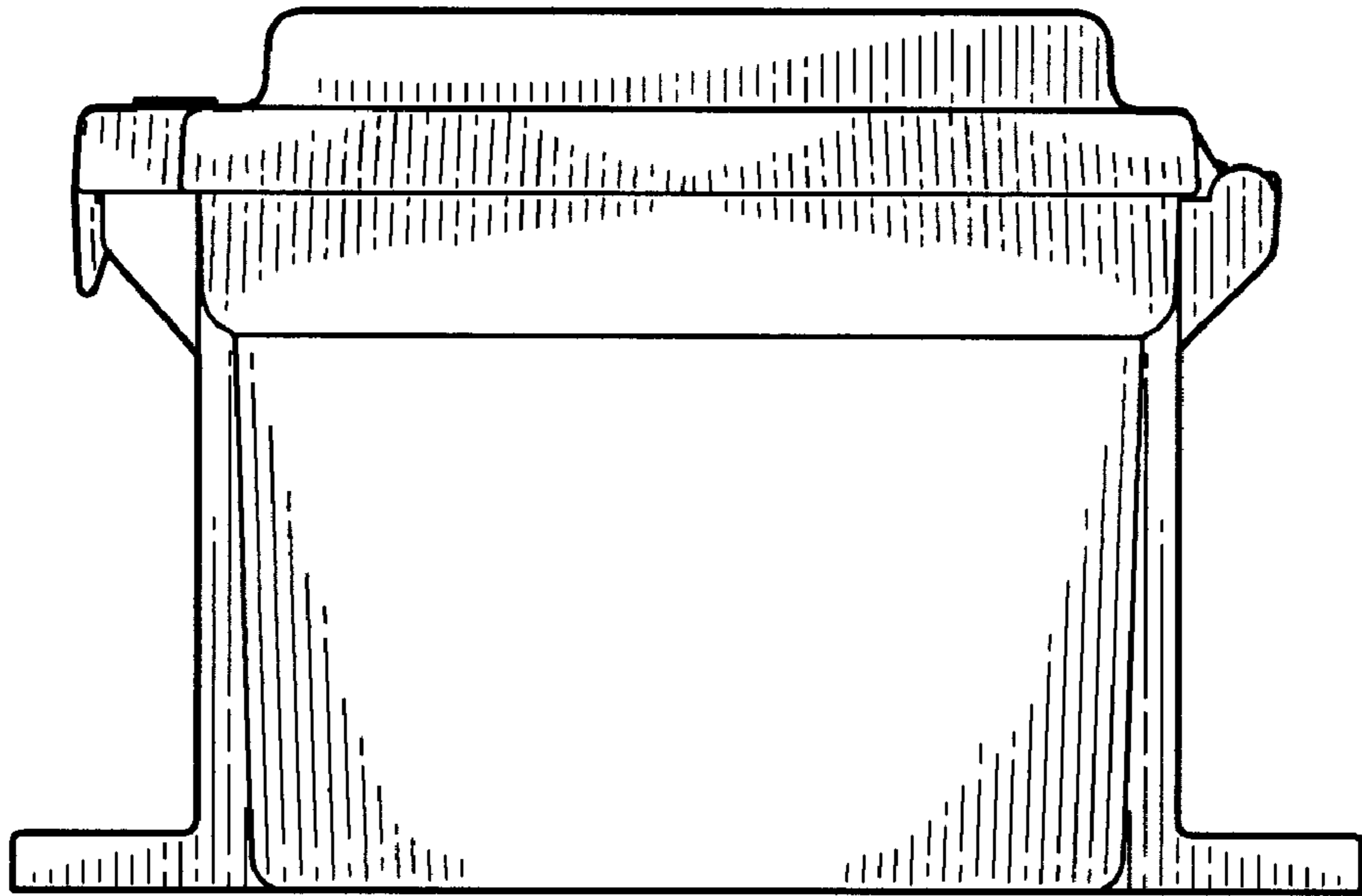


Fig. 4

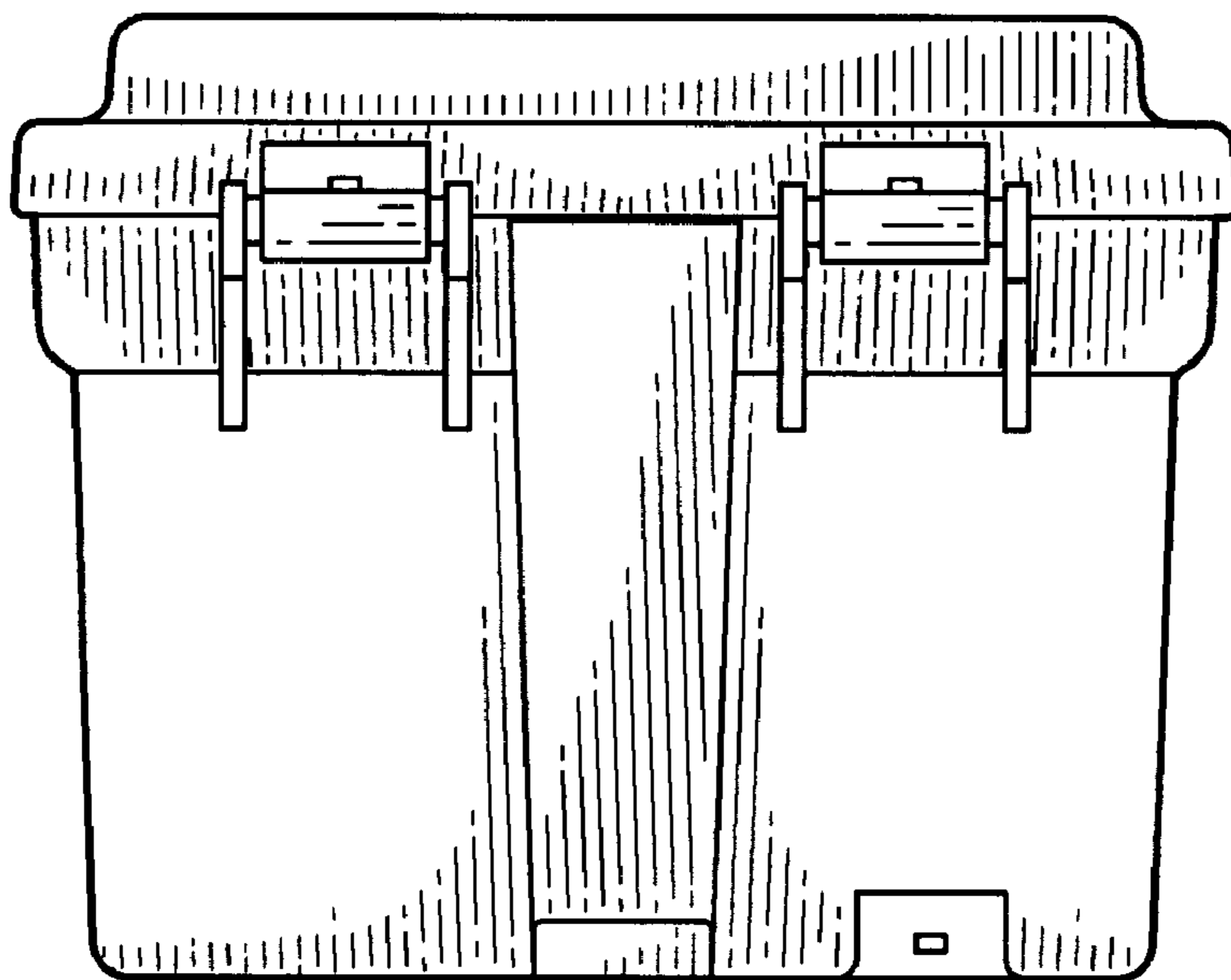


Fig. 5

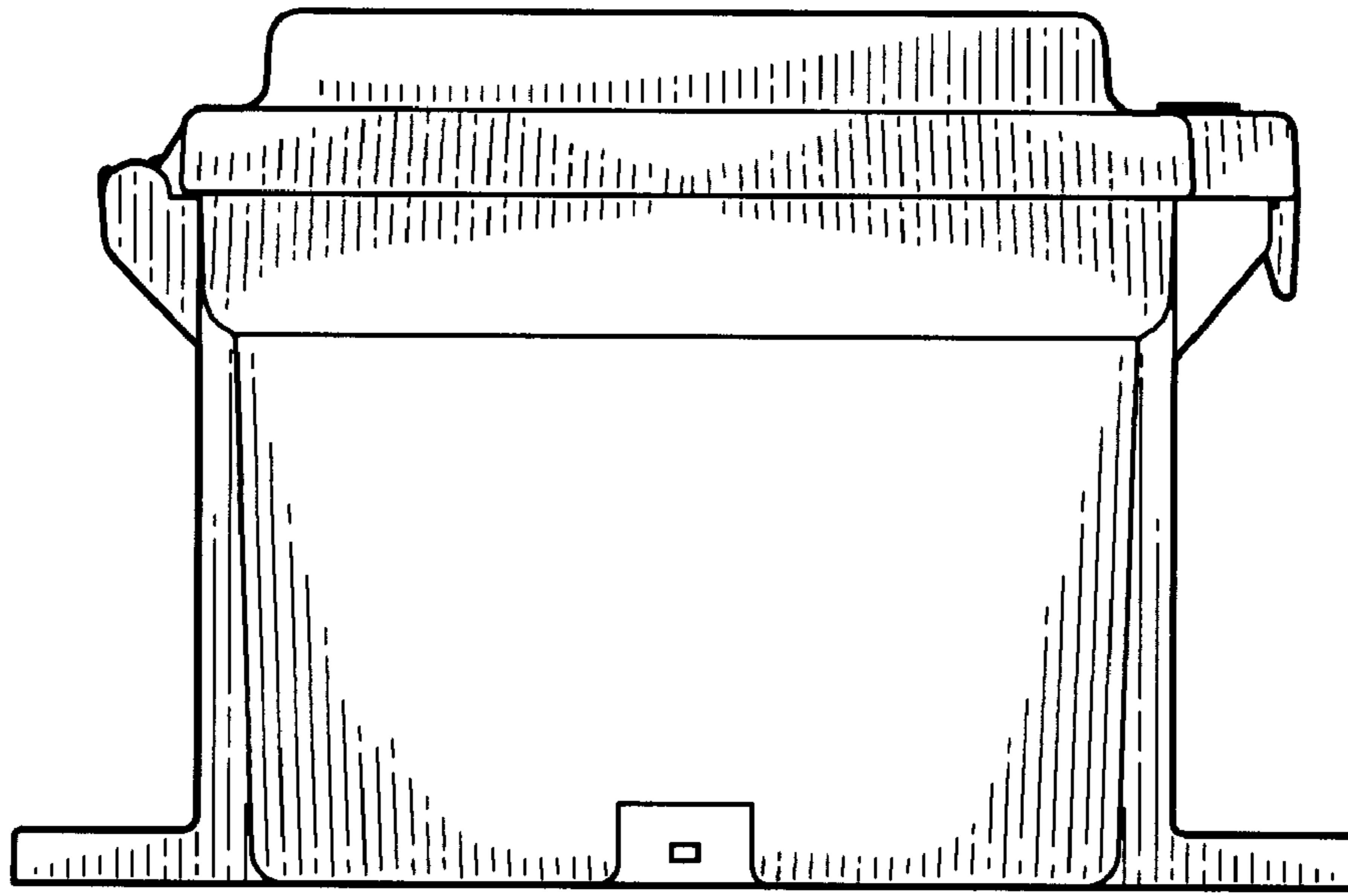


Fig. 6

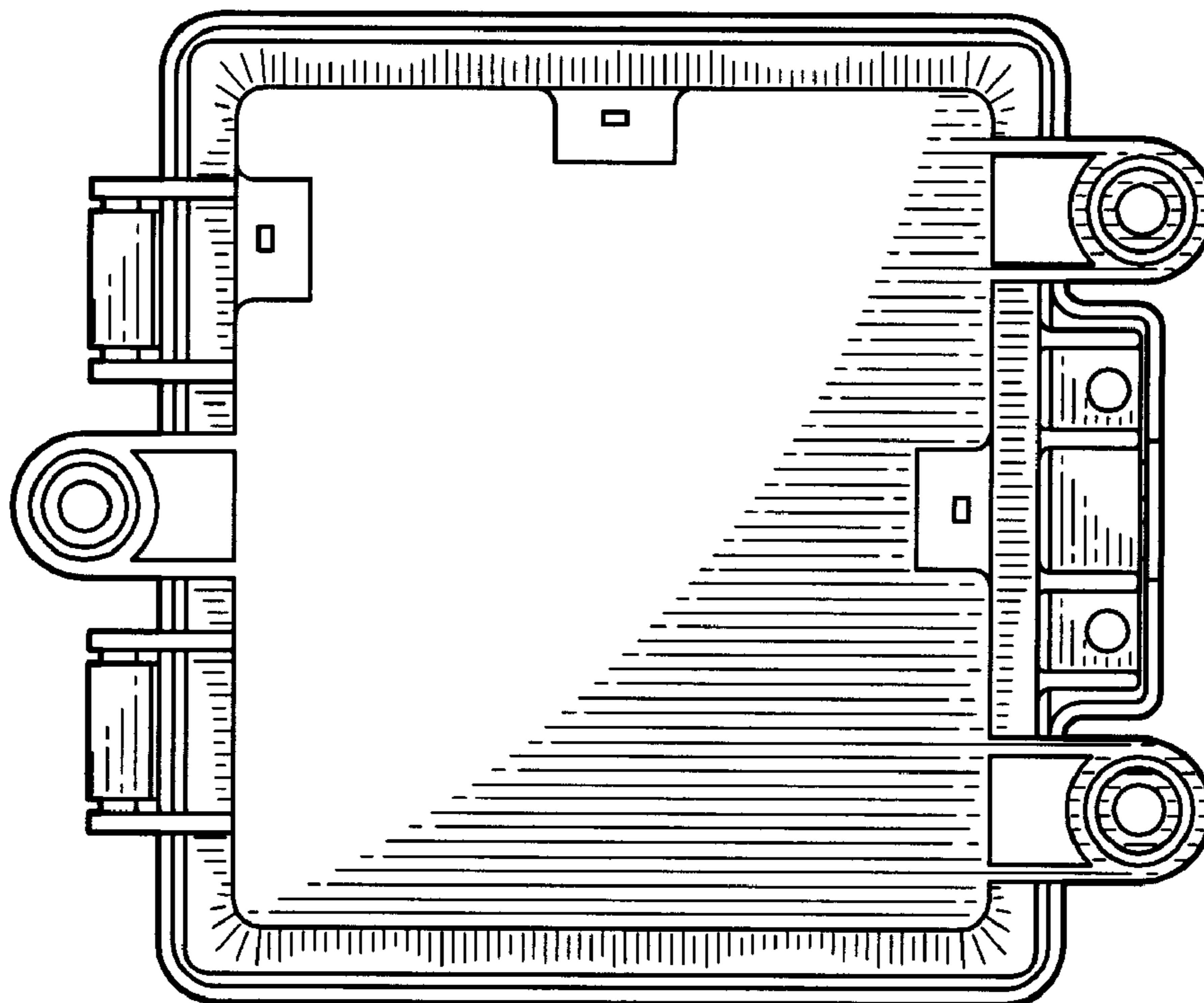


Fig. 7