



US00D517985S

(12) **United States Design Patent**  
**Hirabayashi et al.**

(10) **Patent No.:** **US D517,985 S**

(45) **Date of Patent:** **\*\* Mar. 28, 2006**

(54) **ADAPTER**

(75) Inventors: **Masayuki Hirabayashi**, Iizuka (JP);  
**Takenori Kinkawa**, Iizuka (JP);  
**Hiroataka Yamamoto**, Iizuka (JP)

(73) Assignee: **Mitsumi Electric Co., Ltd.**, Tokyo (JP)

(\*\*) Term: **14 Years**

(21) Appl. No.: **29/206,714**

(22) Filed: **Jun. 3, 2004**

(30) **Foreign Application Priority Data**

Dec. 4, 2003 (JP) ..... 2003-036098

(51) **LOC (8) Cl.** ..... **13-02**

(52) **U.S. Cl.** ..... **D13/110**

(58) **Field of Classification Search** ..... D13/107,  
D13/110, 123, 133, 137.1-139.8, 160; 174/48-49,  
174/53-58; 320/107, 111, 112; 363/146;  
307/150, 151; 439/105-107, 535-536, 650-655,  
439/692, 956

See application file for complete search history.

(56) **References Cited**

**U.S. PATENT DOCUMENTS**

D270,628 S \* 9/1983 Bobrovniczky ..... D13/138.2  
D338,188 S \* 8/1993 Lee et al. .... D13/110

D364,826 S \* 12/1995 Wu ..... D10/75  
D367,845 S \* 3/1996 Jacobs ..... D13/138.2  
D400,502 S \* 11/1998 Burwell et al. .... D13/138.2  
D400,503 S \* 11/1998 Burwell et al. .... D13/138.2  
D406,259 S \* 3/1999 Lindahl ..... D13/110  
D425,480 S \* 5/2000 Jokinen ..... D13/107  
D432,497 S \* 10/2000 Totsuka et al. .... D13/110  
D434,370 S \* 11/2000 Sun et al. .... D13/107  
D452,842 S \* 1/2002 Kajiwara et al. .... D13/110  
D456,008 S \* 4/2002 Kawanobe et al. .... D13/110  
D474,739 S \* 5/2003 Chang ..... D13/110

\* cited by examiner

*Primary Examiner*—Alan P. Douglas

*Assistant Examiner*—Rosemary K. Tarcza

(74) *Attorney, Agent, or Firm*—Sughrue Mion, PLLC

(57) **CLAIM**

The ornamental design for an adapter, as shown.

**DESCRIPTION**

FIG. 1 is a perspective view of the top, front and right side of an adapter showing our new design;  
FIG. 2 is a left side elevational view thereof;  
FIG. 3 is a right side elevational view thereof;  
FIG. 4 is a top plan view thereof;  
FIG. 5 is a bottom plan view thereof;  
FIG. 6 is a rear elevational view thereof; and,  
FIG. 7 is a front elevational view thereof.

**1 Claim, 2 Drawing Sheets**

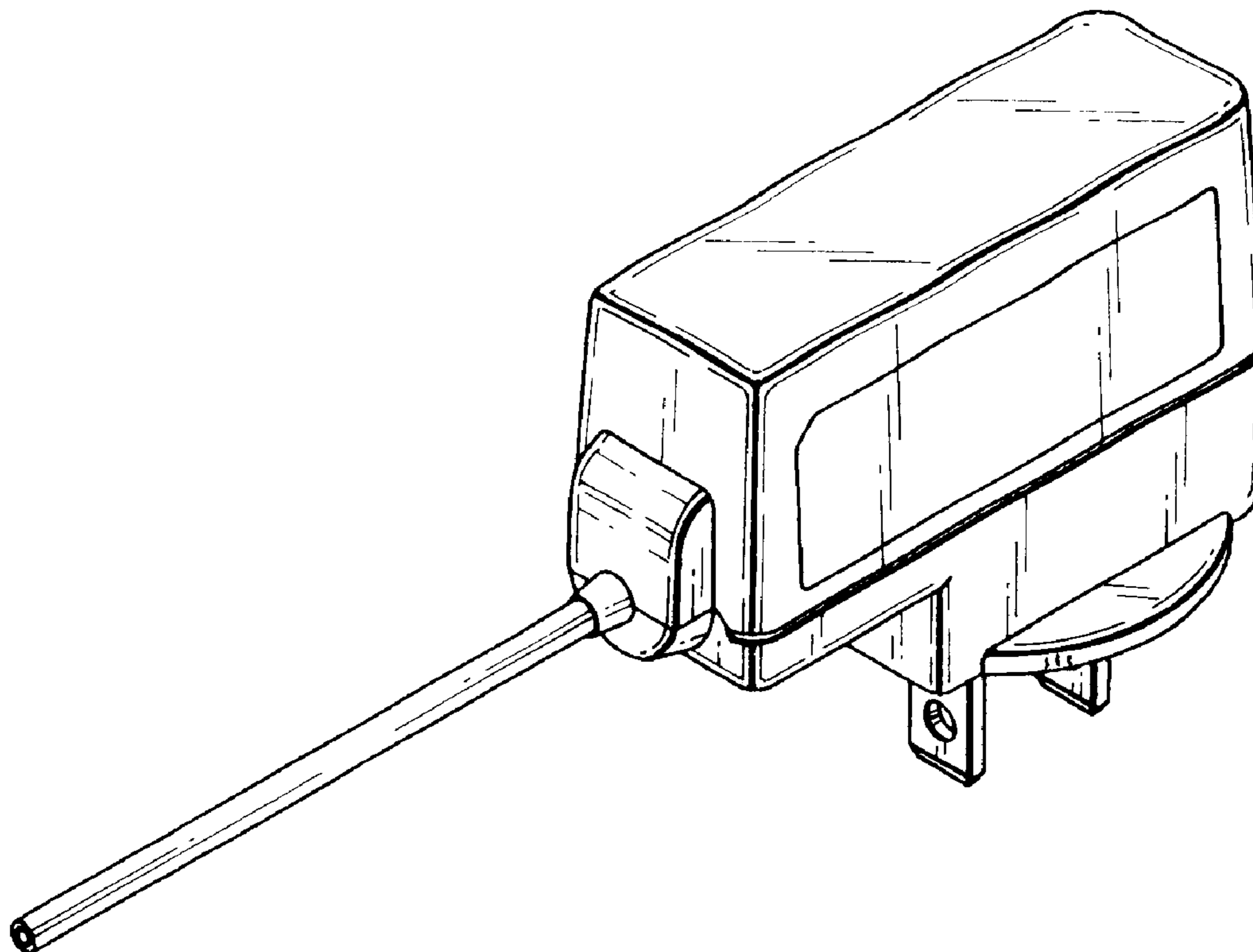


FIG. 1

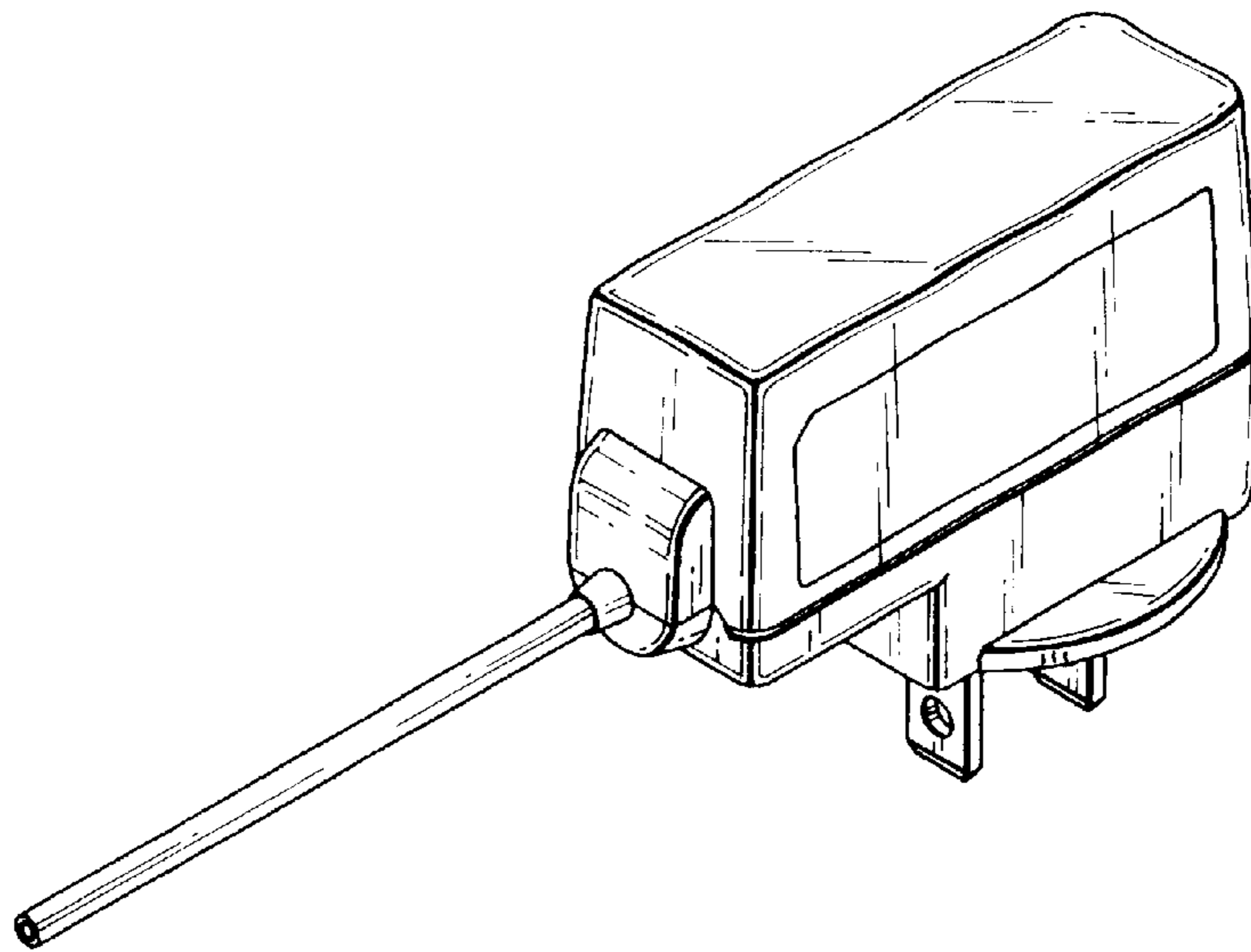


FIG. 2

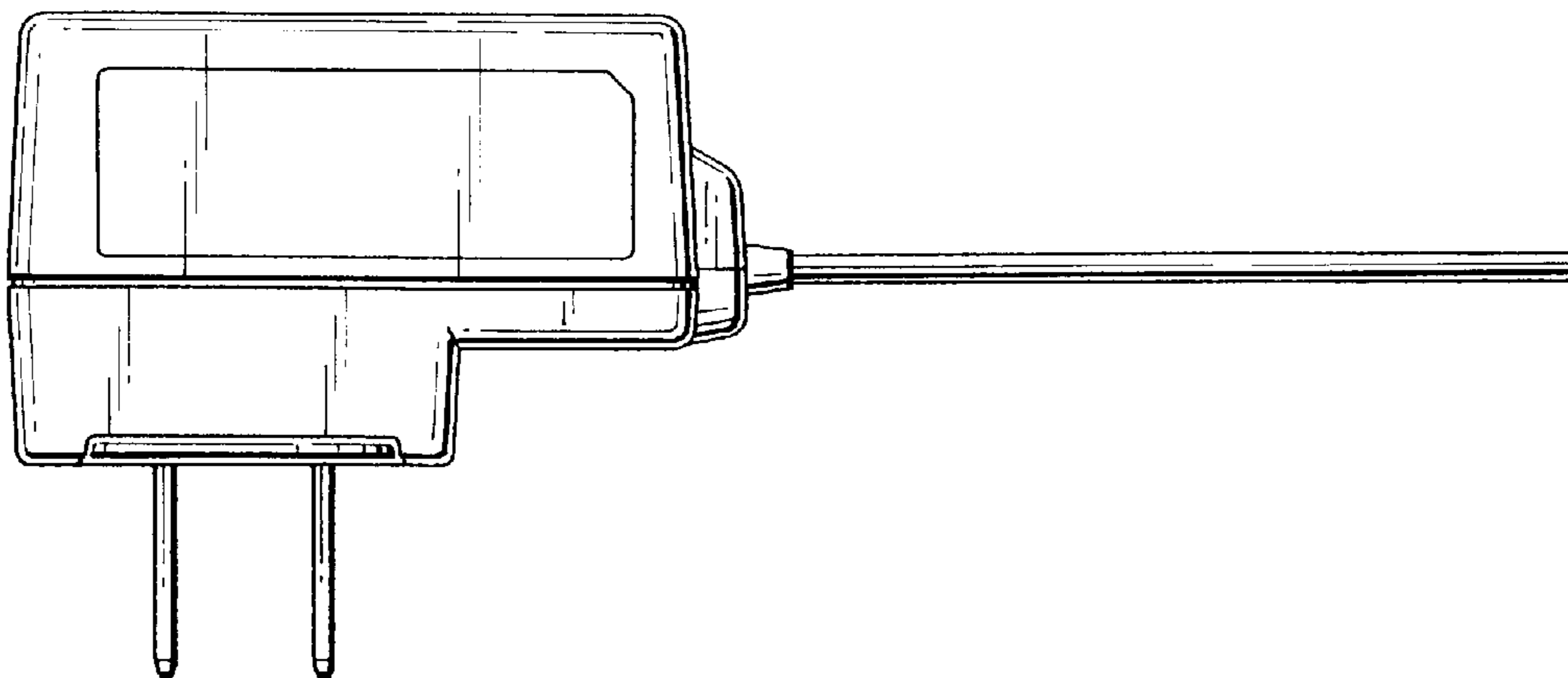


FIG. 3

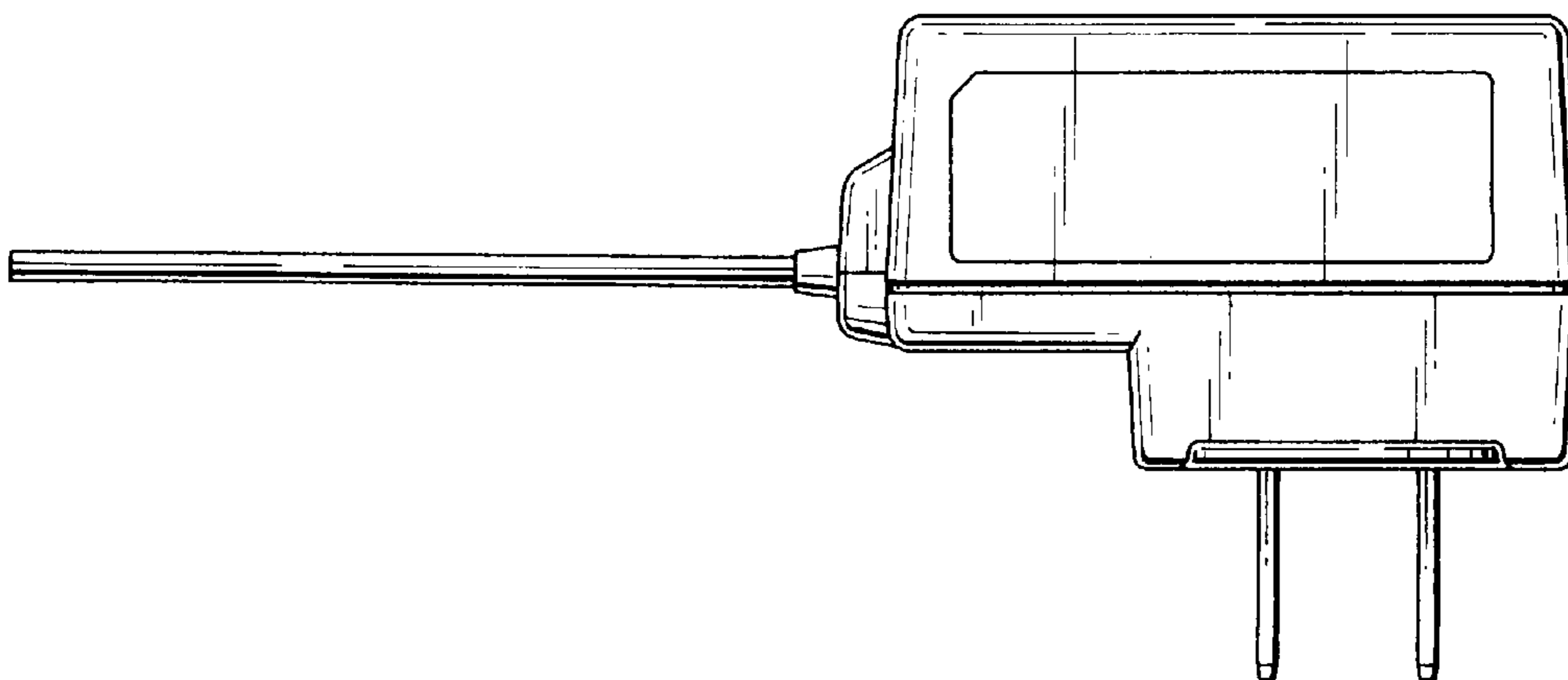


FIG.4

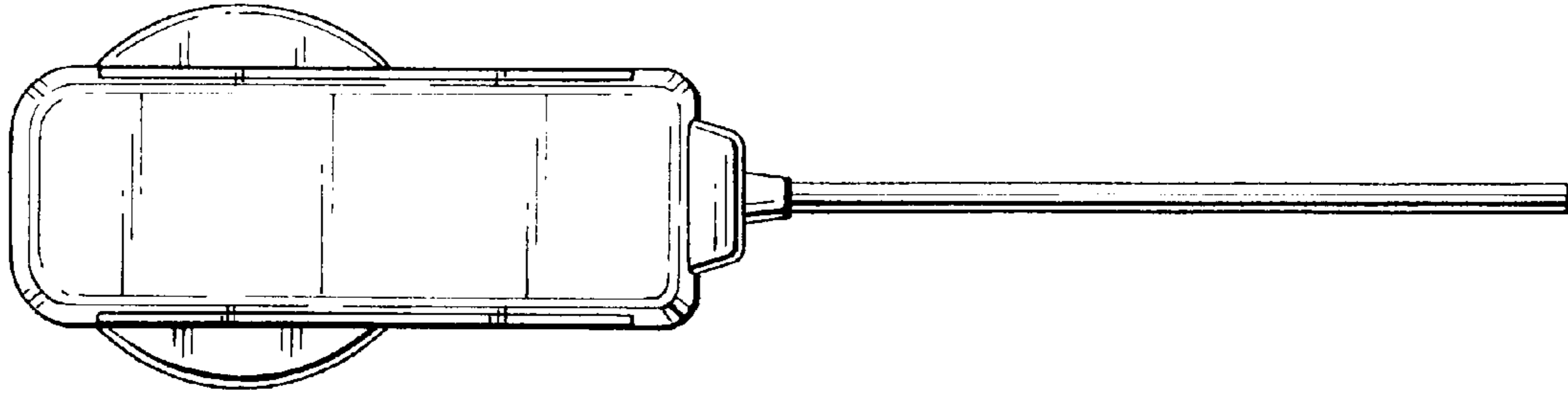


FIG.5

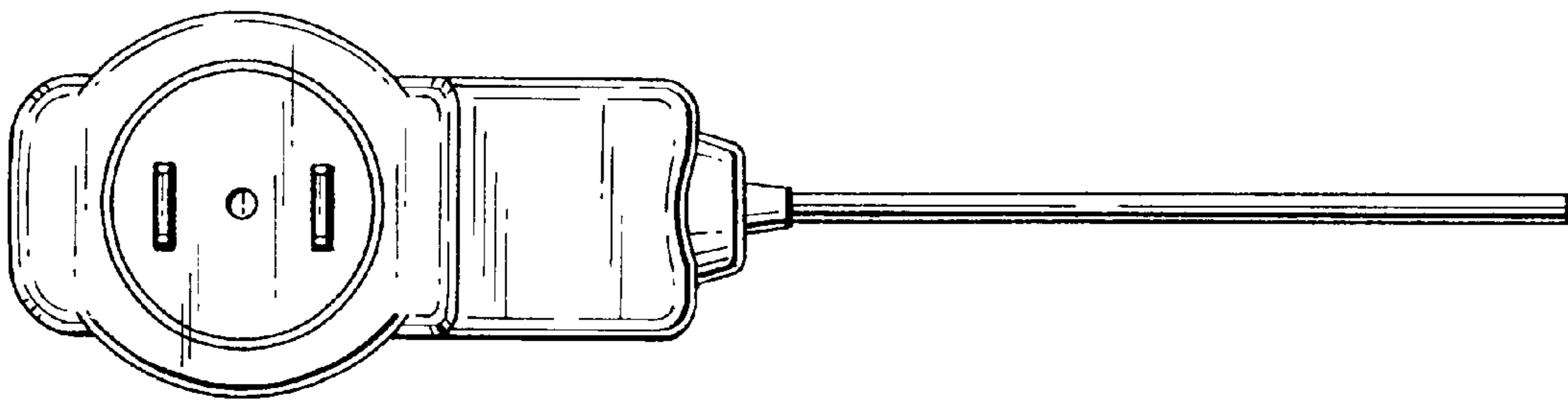


FIG.6

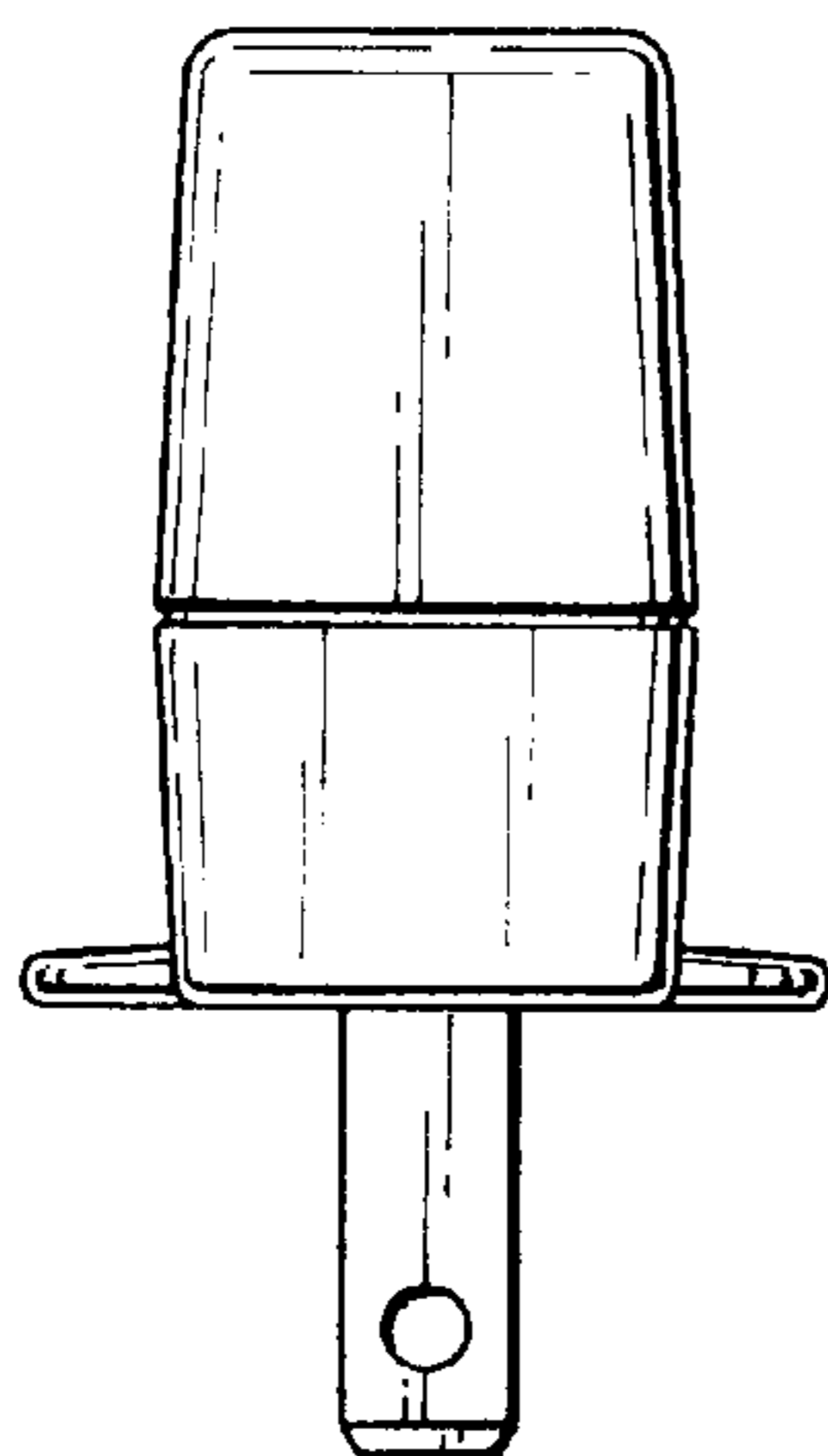


FIG.7

