



US00D517983S

(12) **United States Design Patent**  
**Krieger et al.**

(10) **Patent No.:** **US D517,983 S**  
(45) **Date of Patent:** **\*\* Mar. 28, 2006**

- (54) **JUMP STARTER**
- (75) Inventors: **Michael Krieger**, Miami Beach, FL (US); **Kevin Ellsworth**, Hollywood, FL (US)
- (73) Assignee: **Vector Products, Inc.**, Ft. Lauderdale, FL (US)
- (\*\*) Term: **14 Years**
- (21) Appl. No.: **29/226,622**
- (22) Filed: **Mar. 31, 2005**

D452,474 S	12/2001	Casarella .....	D13/107
6,356,050 B1	3/2002	Hussaini .....	320/105
D464,619 S	10/2002	Krieger et al. ....	D13/110
D466,475 S	12/2002	Super et al. ....	D13/107
D474,151 S	5/2003	James et al. ....	D13/119
D484,852 S	1/2004	James et al. ....	D13/107
D494,925 S *	8/2004	Krieger et al. ....	D13/107
D495,993 S	9/2004	Krieger et al. ....	D13/107
D503,147 S *	3/2005	Krieger et al. ....	D13/107
D503,148 S *	3/2005	Krieger et al. ....	D13/107
D503,377 S *	3/2005	Krieger et al. ....	D13/107
D503,378 S *	3/2005	Hussaini et al. ....	D13/107

\* cited by examiner

*Primary Examiner*—Alan P. Douglas  
*Assistant Examiner*—Rosemary Tarcza

(74) *Attorney, Agent, or Firm*—Venable LLP; Robert Kinberg; Manni Li

**Related U.S. Application Data**

- (62) Division of application No. 29/196,800, filed on Jan. 7, 2004, now Pat. No. Des. 504,869.
- (51) **LOC (8) Cl.** ..... **13-02**
- (52) **U.S. Cl.** ..... **D13/107**
- (58) **Field of Classification Search** ..... D13/106–108, D13/110; D14/251, 253; 320/105, 107–116  
See application file for complete search history.

(57) **CLAIM**

The ornamental design for a jump starter, as shown and described.

**DESCRIPTION**

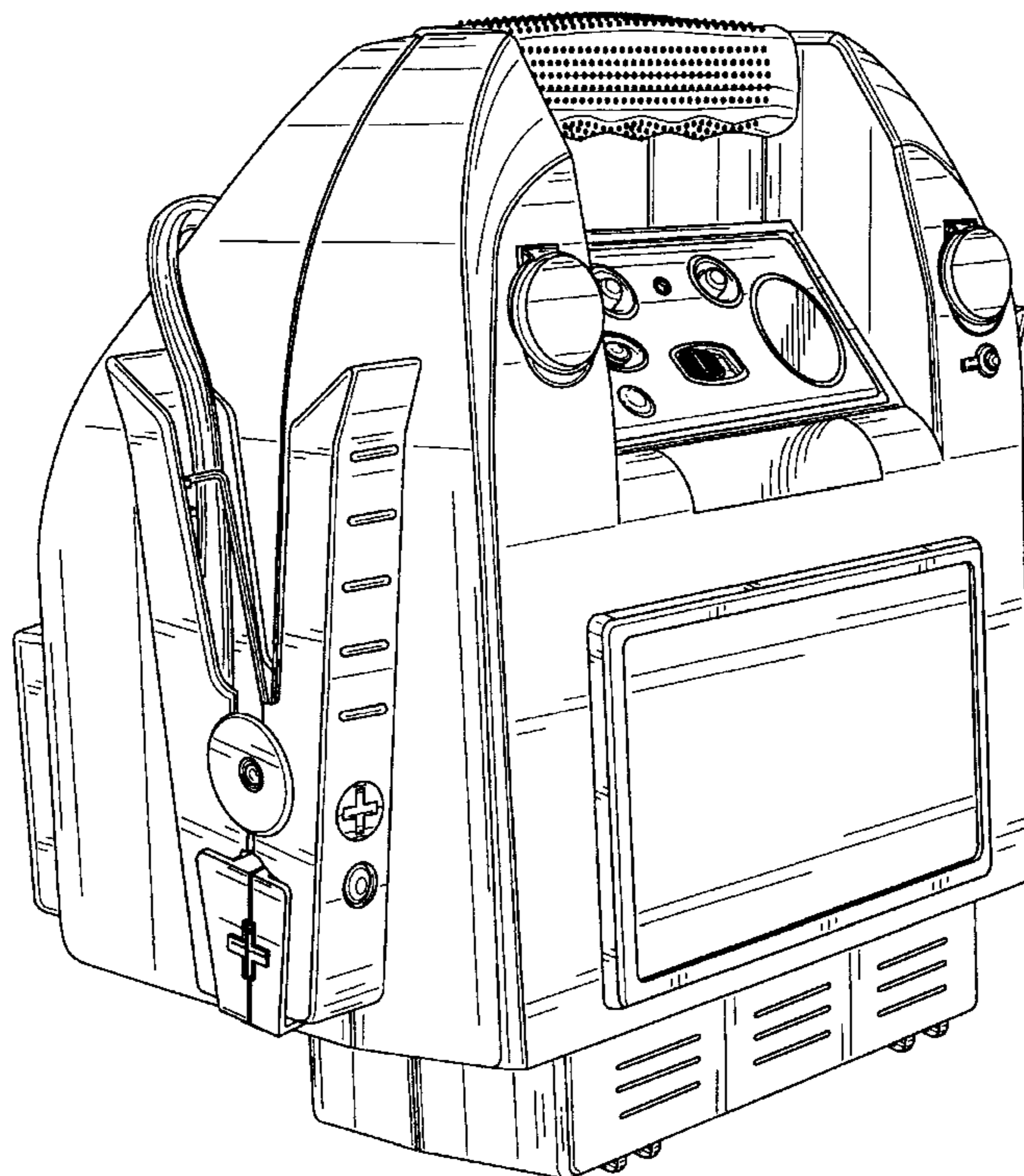
FIG. 1 is a perspective view from the front-top-left side of the jump starter showing our new design;  
FIG. 2 is a front view of the design shown in FIG. 1;  
FIG. 3 is a rear view of the design shown in FIG. 1;  
FIG. 4 is a left side view of the design shown in FIG. 1;  
FIG. 5 is a right side view of the design shown in FIG. 1;  
FIG. 6 is a top view of the design shown in FIG. 1; and,  
FIG. 7 is a bottom view of the design shown in FIG. 1.

(56) **References Cited**

U.S. PATENT DOCUMENTS

5,982,138 A	11/1999	Krieger .....	320/105
6,002,235 A	12/1999	Clore .....	320/105
D423,451 S	4/2000	Heckenast et al. ....	D13/110
D432,985 S	10/2000	Wan .....	D13/107
D444,125 S	6/2001	Shy .....	D13/110
RE37,482 E	12/2001	Guay et al. ....	D13/110

**1 Claim, 7 Drawing Sheets**



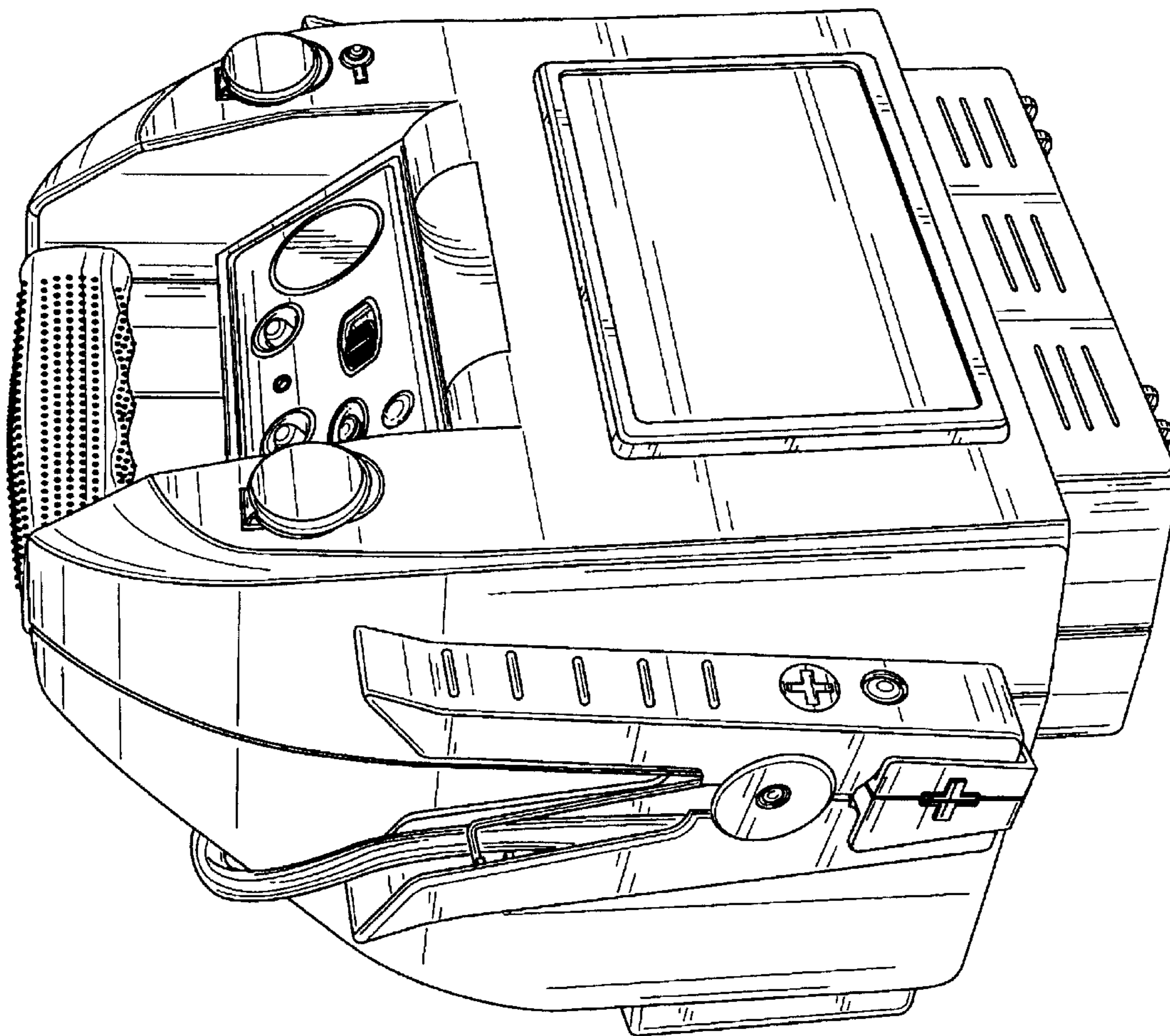


FIG. 1

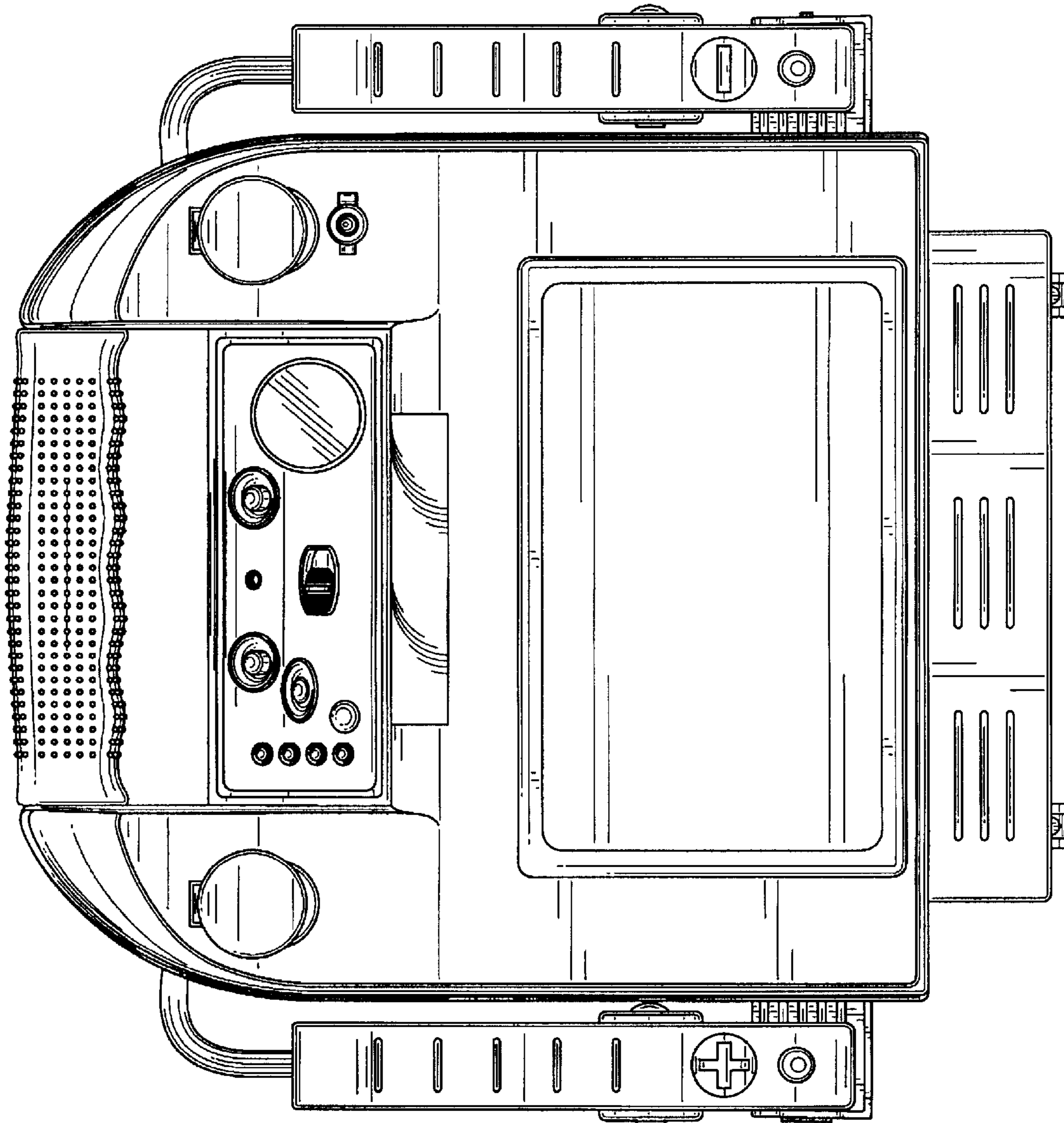


FIG. 2

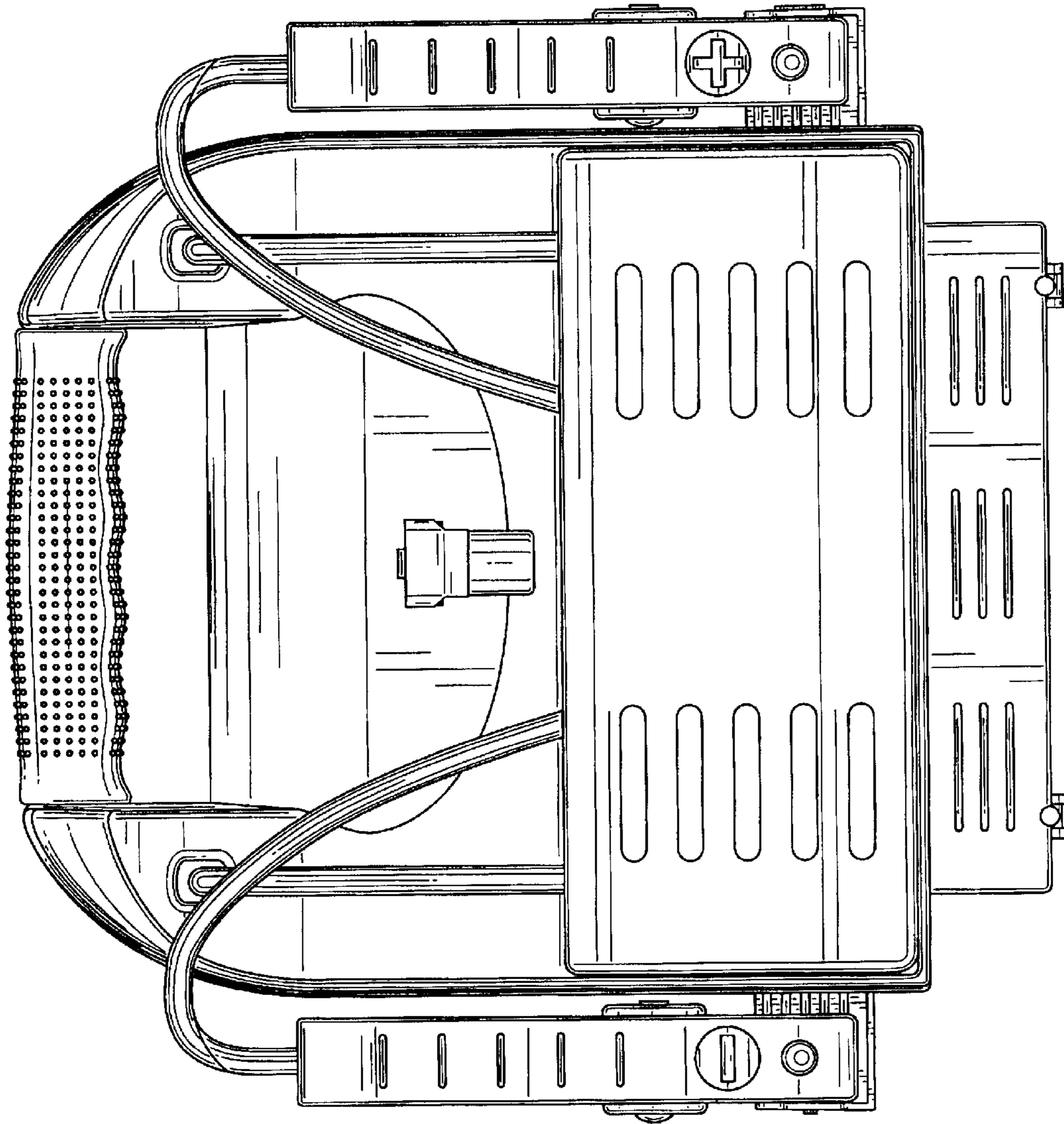


FIG. 3

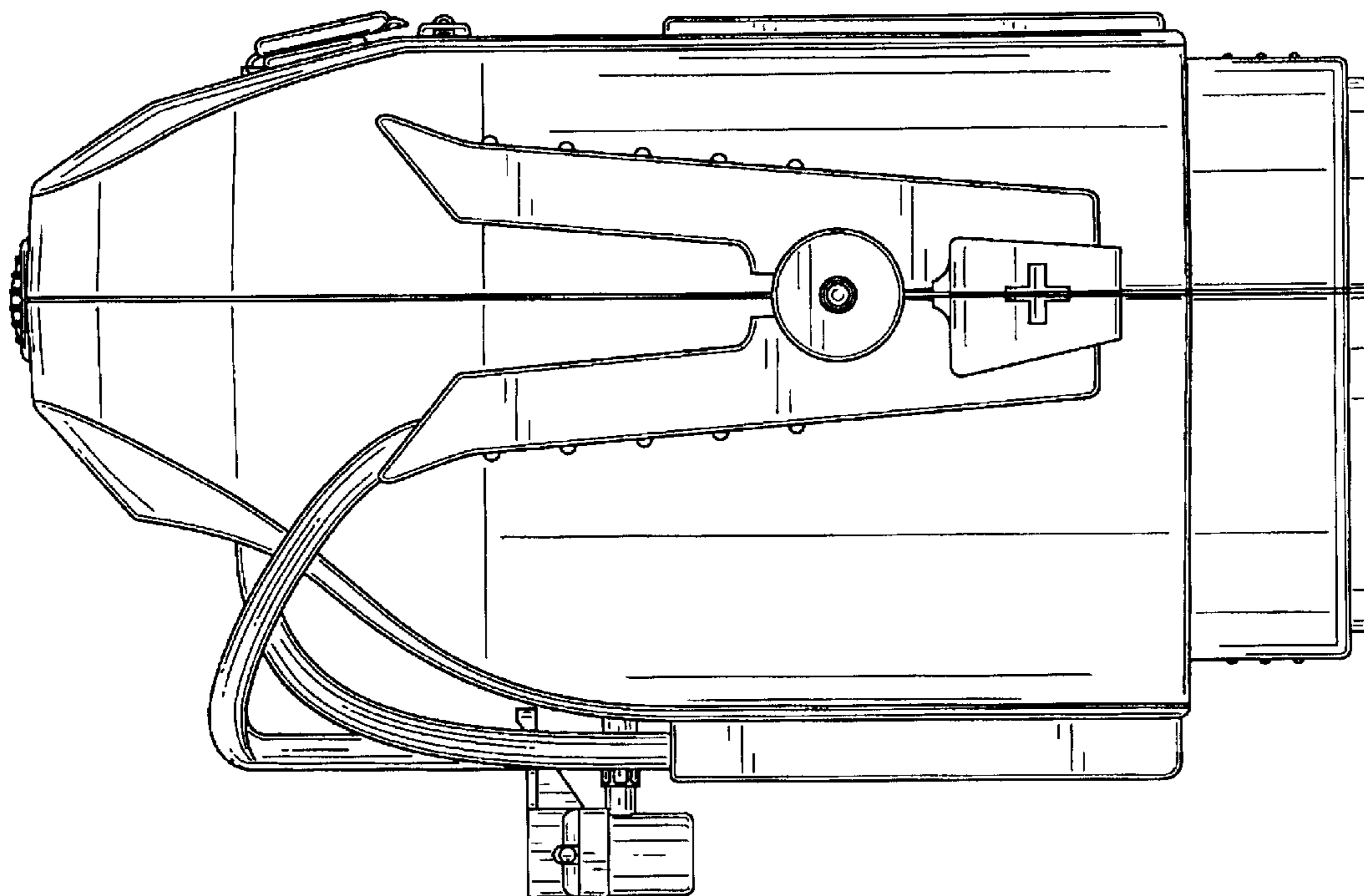


FIG. 4

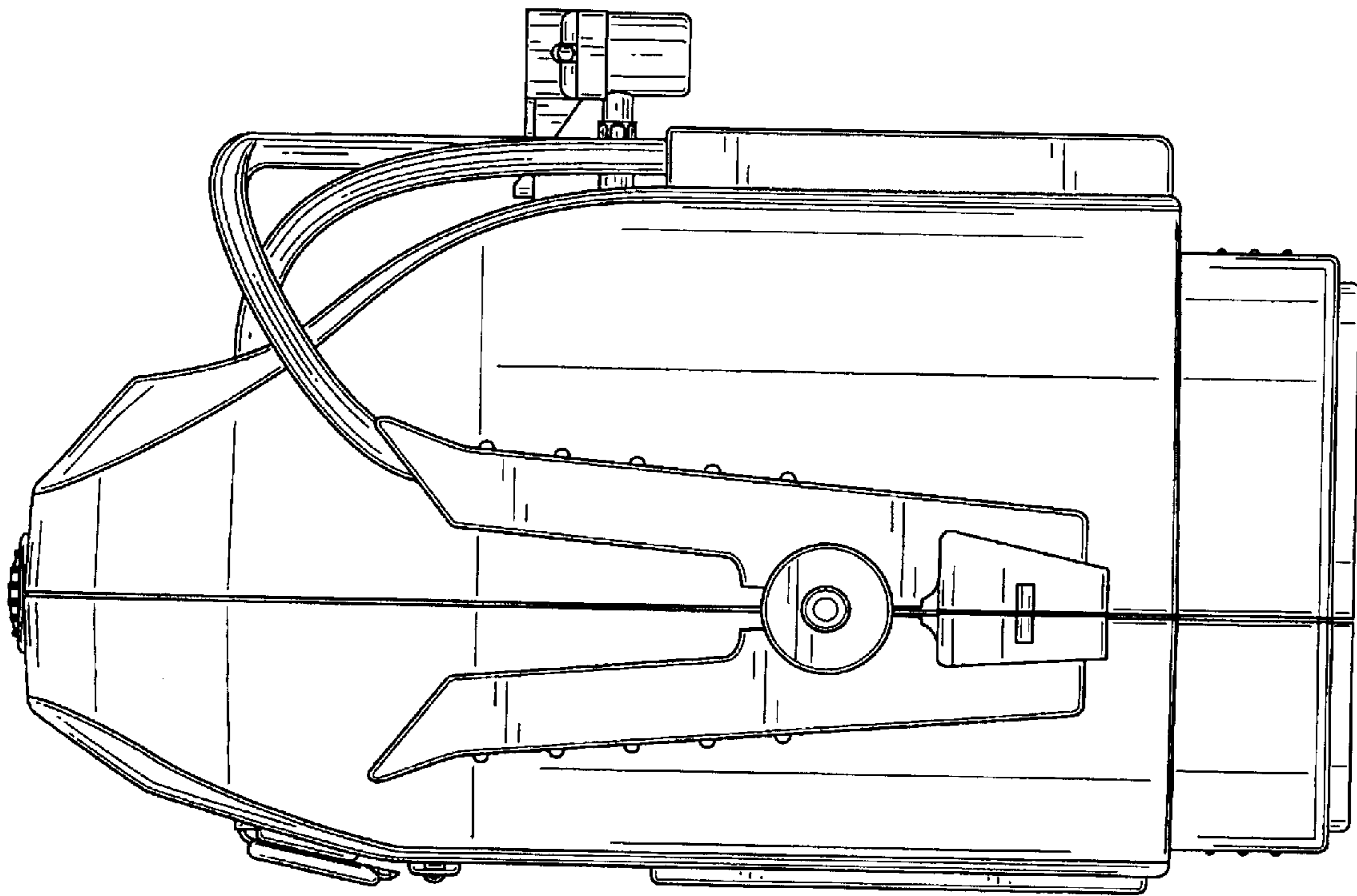


FIG. 5

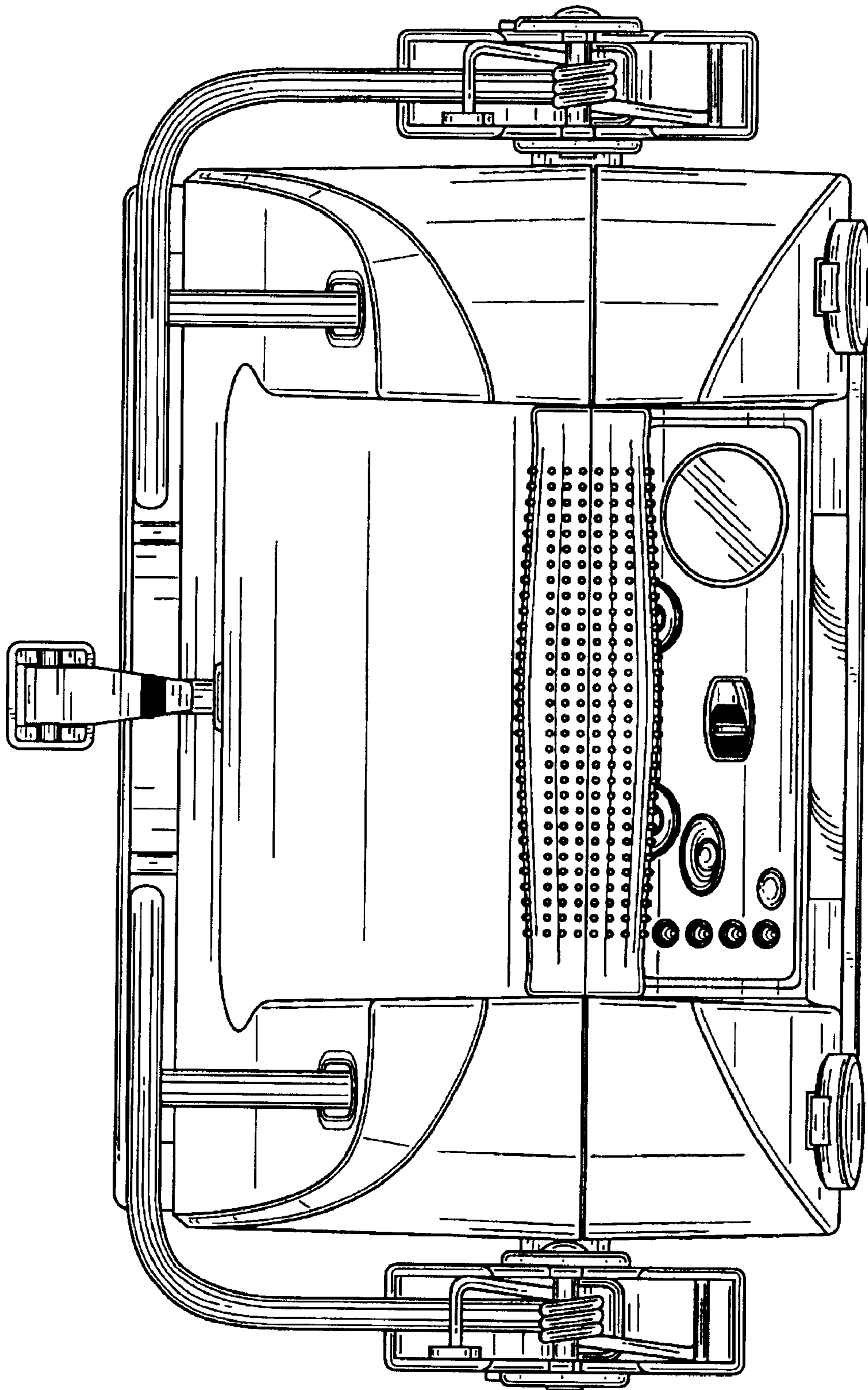


FIG. 6

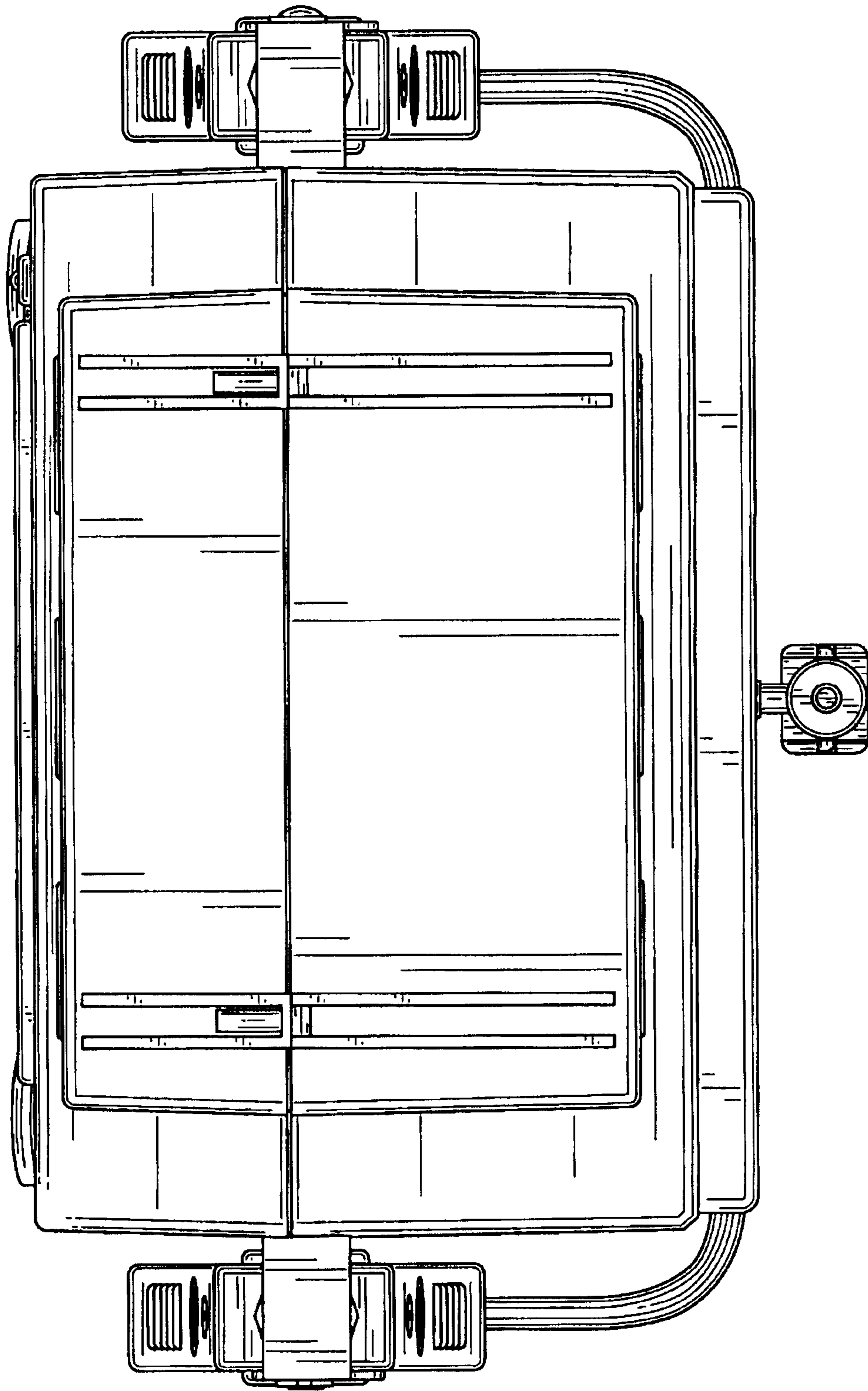


FIG. 7