



US00D517982S

(12) **United States Design Patent**  
**Rad et al.**

(10) **Patent No.:** **US D517,982 S**  
(45) **Date of Patent:** **\*\* Mar. 28, 2006**

(54) **PORTABLE BATTERY**  
(75) Inventors: **Rodney Rad**, Los Angeles, CA (US);  
**Thomas Philip Henley**, Los Angeles,  
CA (US)  
(73) Assignee: **Compact Power Systems, Inc.**,  
Woodland Hills, CA (US)  
(\*\*) Term: **14 Years**  
(21) Appl. No.: **29/234,438**  
(22) Filed: **Jul. 19, 2005**  
(51) **LOC (8) Cl.** ..... **13-02**  
(52) **U.S. Cl.** ..... **D13/103**  
(58) **Field of Classification Search** ..... D13/102–106,  
D13/110, 118–119, 184; 429/96–100, 163,  
429/176  
See application file for complete search history.

D419,131 S 1/2000 Andrews et al.  
D423,449 S 4/2000 Naskali  
D429,210 S 8/2000 Chintala et al.  
D435,041 S 12/2000 Coker et al.  
D439,877 S 4/2001 Vacheron et al.  
D444,448 S 7/2001 Robinson et al.  
D446,767 S \* 8/2001 Black, Jr. .... D13/103  
D447,468 S 9/2001 Nakahara et al.  
D447,729 S 9/2001 Song et al.  
D456,771 S \* 5/2002 Bloemen ..... D13/103  
D458,915 S 6/2002 Shintani  
D459,323 S 6/2002 Jeong  
D459,710 S 7/2002 Jeong  
D459,711 S 7/2002 Lee  
6,447,949 B1 \* 9/2002 Iwata et al. .... 429/185  
6,492,058 B1 12/2002 Watanabe et al.  
D469,415 S 1/2003 Nam  
D469,416 S 1/2003 Nam  
D469,750 S 2/2003 Nam  
D473,186 S 4/2003 Grosfeld et al.  
D474,149 S 5/2003 Kawahata et al.  
6,565,381 B1 \* 5/2003 Chou ..... 439/501  
D477,295 S 7/2003 Chung  
D478,866 S 8/2003 Nakai

(56) **References Cited**

**U.S. PATENT DOCUMENTS**

D265,985 S \* 8/1982 House, II ..... D13/103  
D307,886 S 5/1990 Ching, Jr. et al.  
D310,813 S \* 9/1990 Culbertson et al. .... D13/103  
4,965,148 A \* 10/1990 Daio et al. .... 429/159  
D317,606 S 6/1991 Irie et al.  
D360,185 S 7/1995 Kobayashi  
5,476,729 A \* 12/1995 Miller et al. .... 429/1  
D367,640 S 3/1996 Nagele et al.  
D383,725 S \* 9/1997 Settsu ..... D13/103  
D388,060 S \* 12/1997 Tanaka et al. .... D13/103  
D390,187 S \* 2/1998 Urvoy ..... D13/103  
D390,558 S 2/1998 Park  
5,733,677 A 3/1998 Golovin et al.  
D393,857 S 4/1998 Park  
D394,841 S 6/1998 Hashimoto et al.  
5,792,573 A \* 8/1998 Pitzen et al. .... 429/97  
D398,899 S 9/1998 Chaco  
D400,496 S 11/1998 Barber et al.  
D406,098 S 2/1999 Walter  
D409,974 S 5/1999 Sasago  
D414,158 S 9/1999 Frye et al.  
D414,159 S 9/1999 Deslyper et al.

(Continued)

*Primary Examiner*—Alan P. Douglas  
*Assistant Examiner*—Rosemary K. Tarcza  
(74) *Attorney, Agent, or Firm*—Marshall A. Lerner, Esq.;  
Patrick Avakian, Esq.; Kleinberg & Lerner, LLP

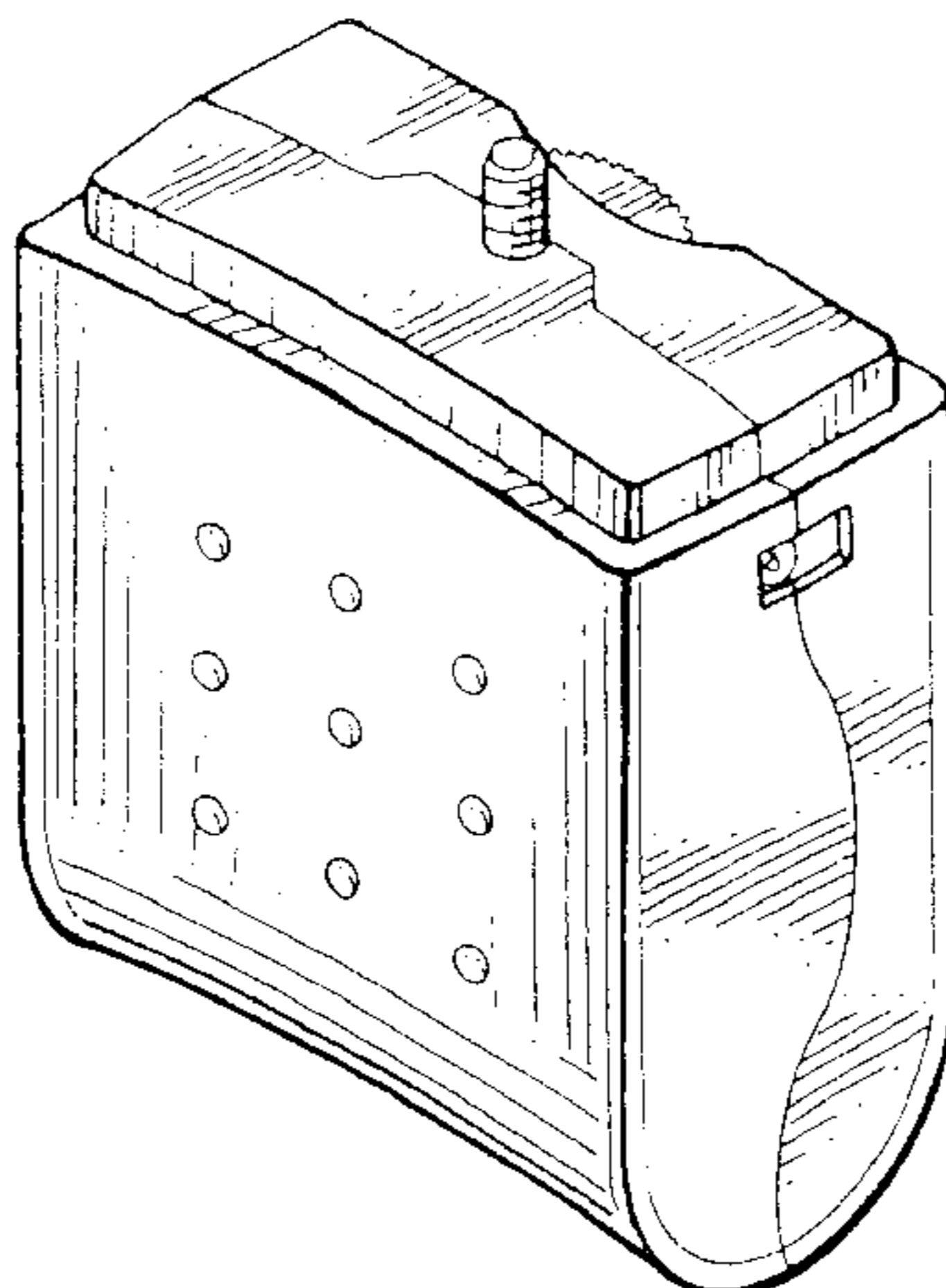
(57) **CLAIM**

The ornamental design for a portable battery, as shown and described.

**DESCRIPTION**

FIG. 1 is a perspective view of a battery showing the new design;  
FIG. 2 is a front elevational view thereof;  
FIG. 3 is a right side elevational view thereof;  
FIG. 4 is a rear elevational view thereof;  
FIG. 5 is a left side elevational view thereof;  
FIG. 6 is a top plan view thereof; and,  
FIG. 7 is a bottom plan view thereof.

**1 Claim, 1 Drawing Sheet**



# US D517,982 S

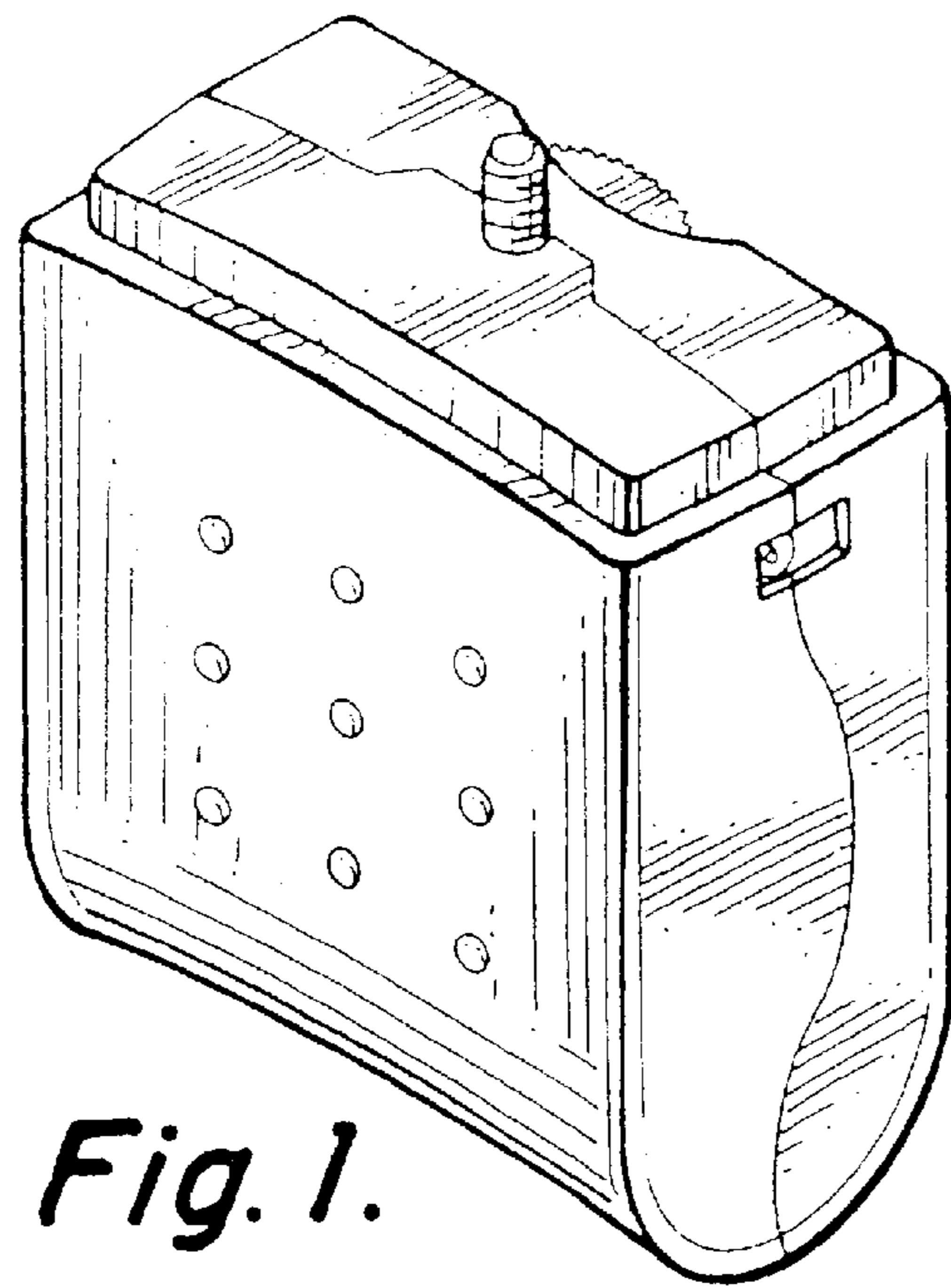
Page 2

---

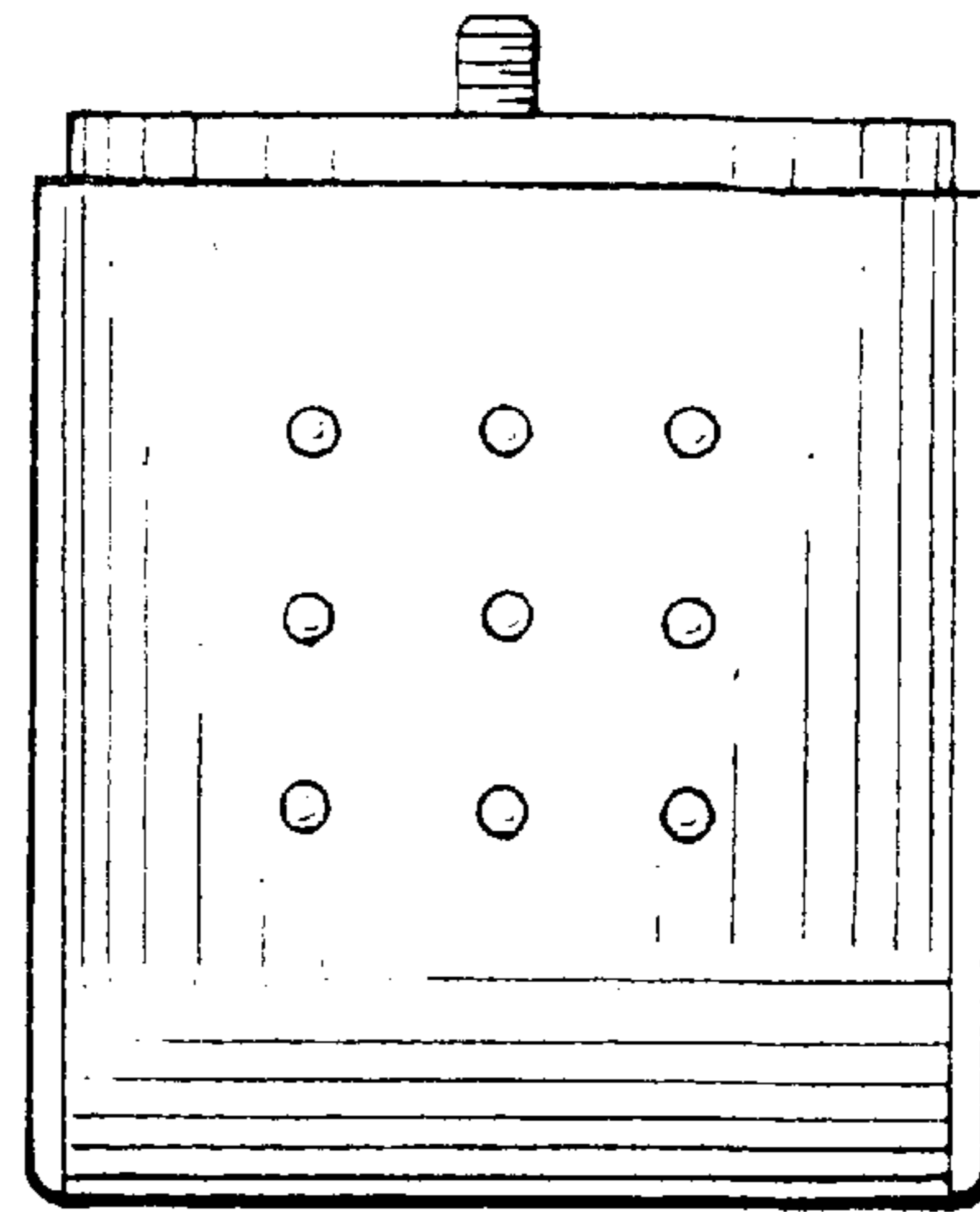
## U.S. PATENT DOCUMENTS

D479,515 S	9/2003	Seo	D503,674 S *	4/2005	Huey .....	D13/110
D480,682 S	10/2003	Kawase	D503,923 S	4/2005	Asherian	
D483,722 S	12/2003	Bailey	D505,114 S *	5/2005	Vinciarelli et al. ....	D13/110
D492,649 S	7/2004	Resch et al.	D507,523 S *	7/2005	Resch et al. ....	D13/103
D499,390 S	12/2004	Cho	2003/0017390 A1	1/2003	Probst et al.	

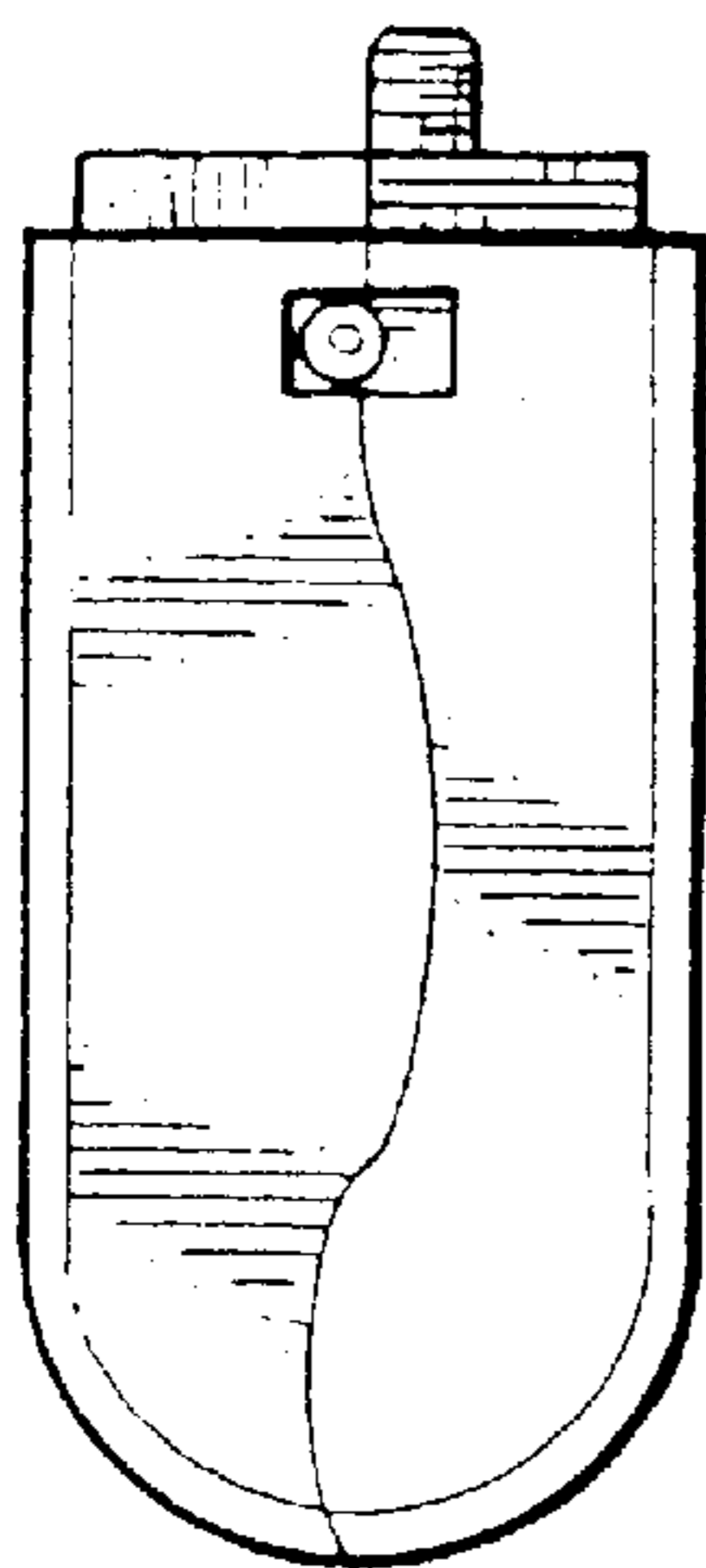
\* cited by examiner



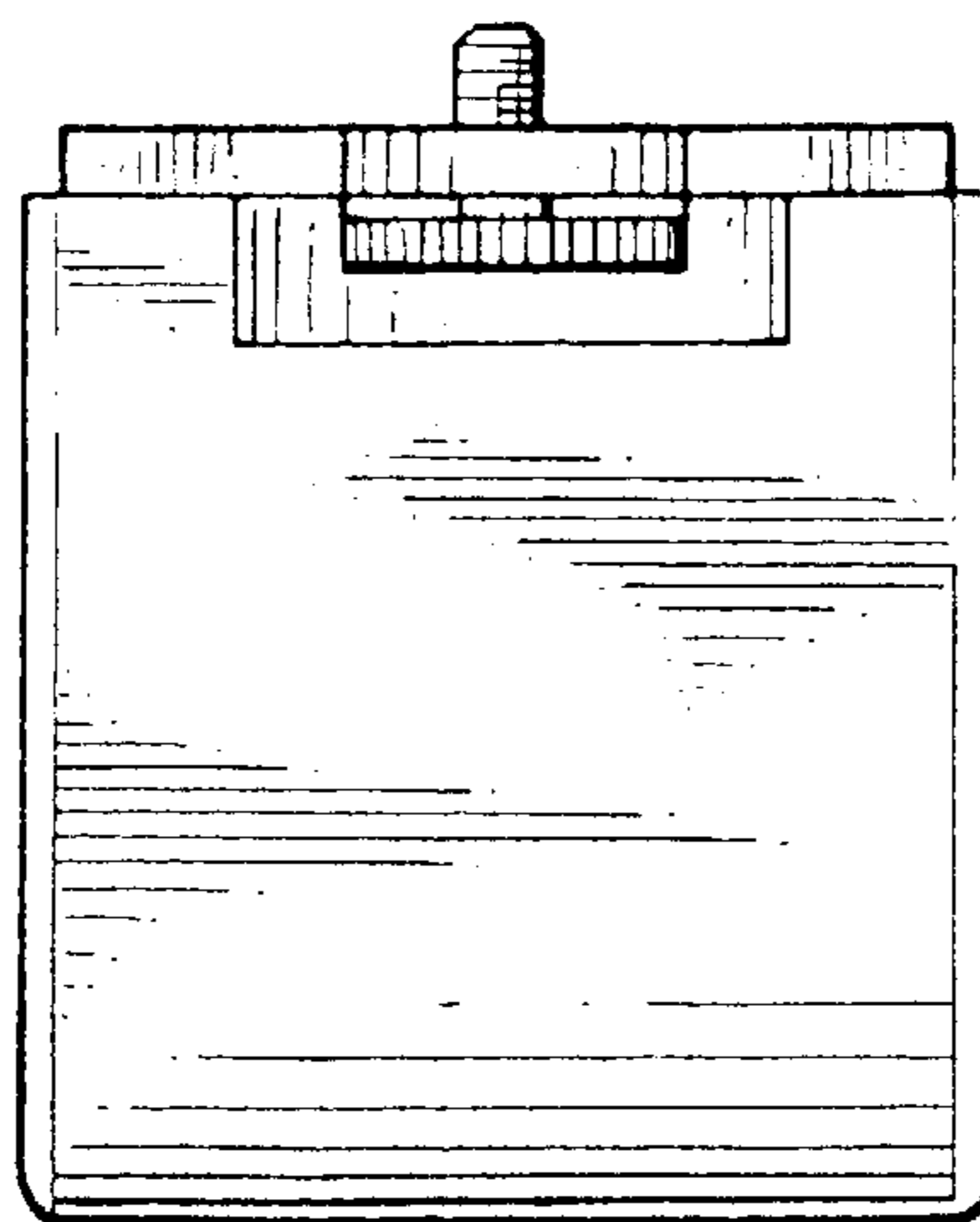
*Fig. 1.*



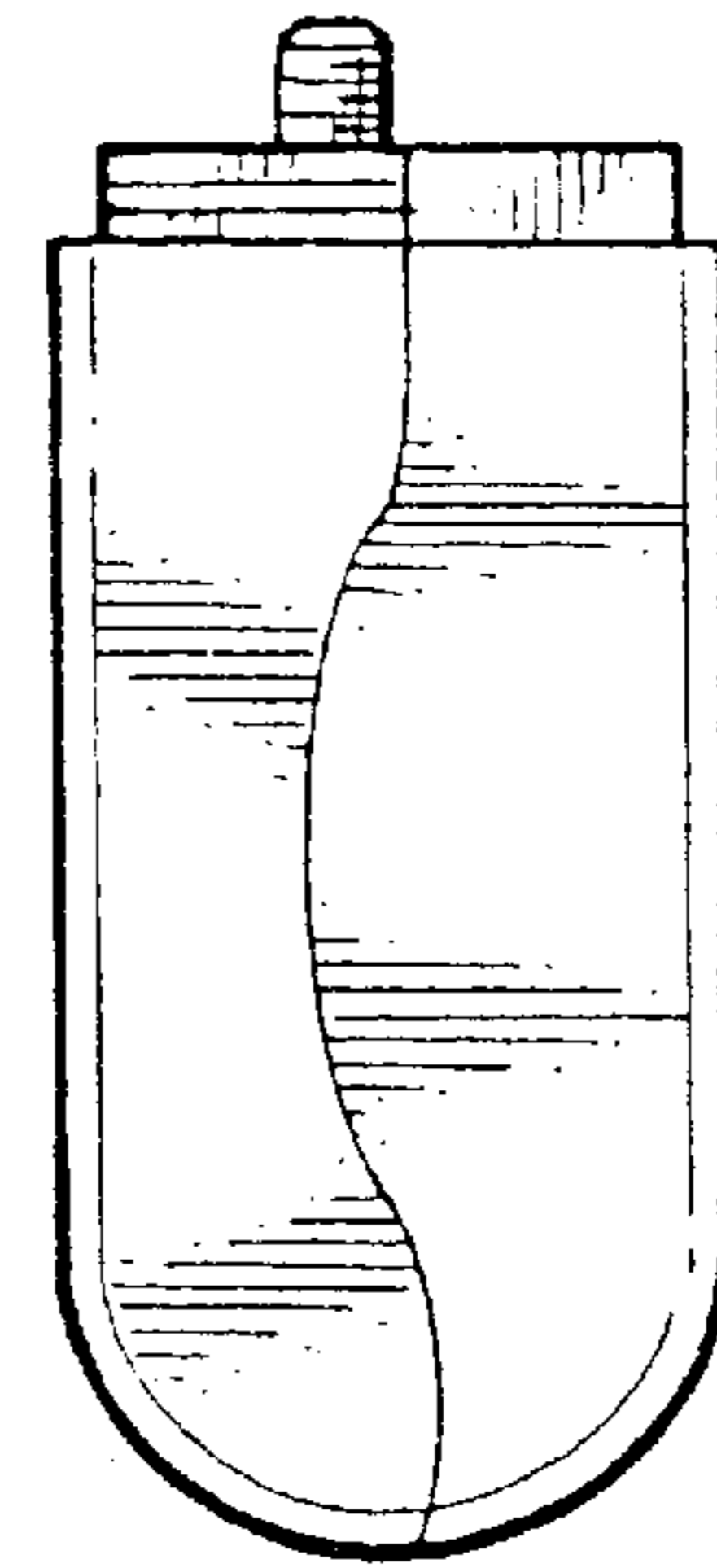
*Fig. 2.*



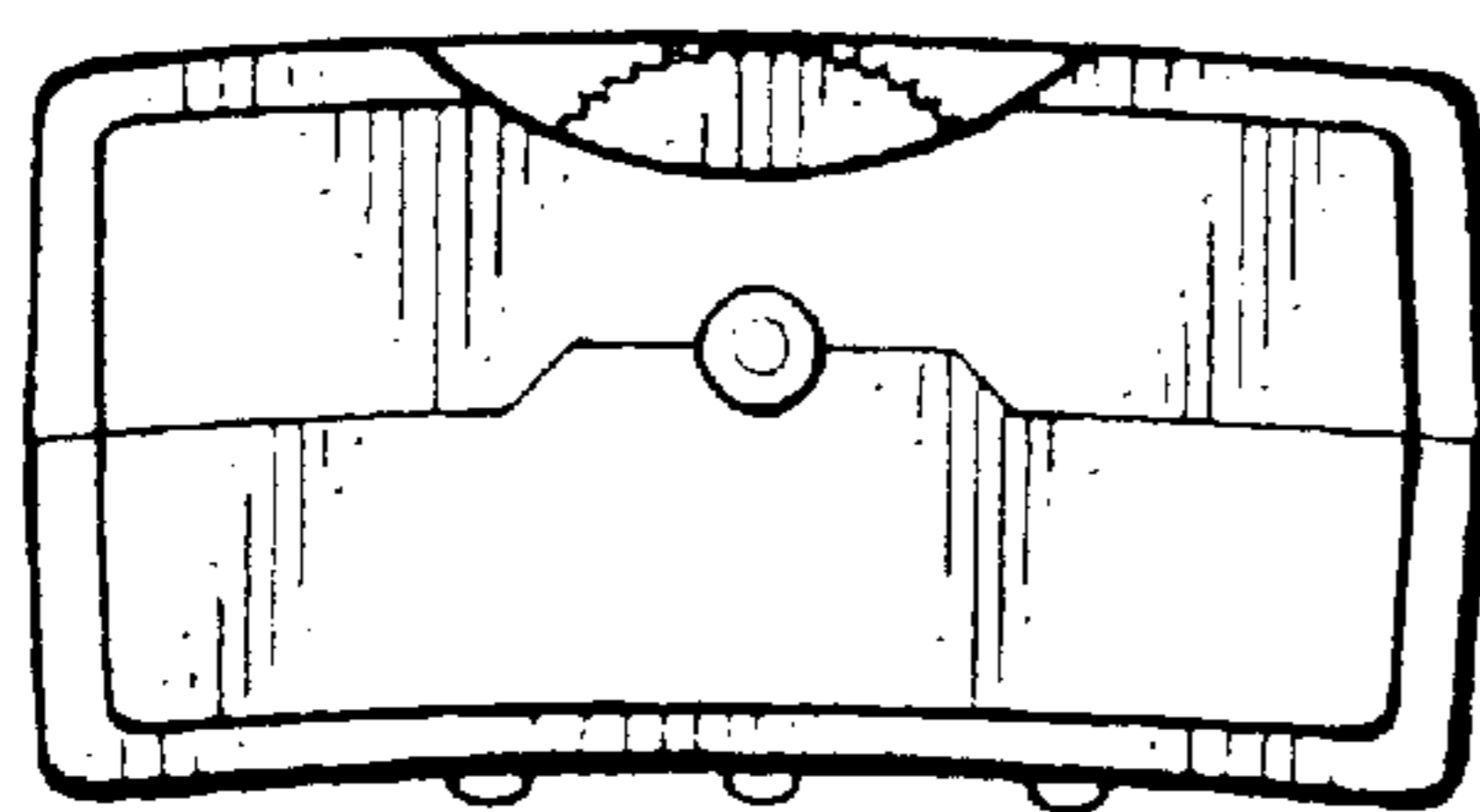
*Fig. 3.*



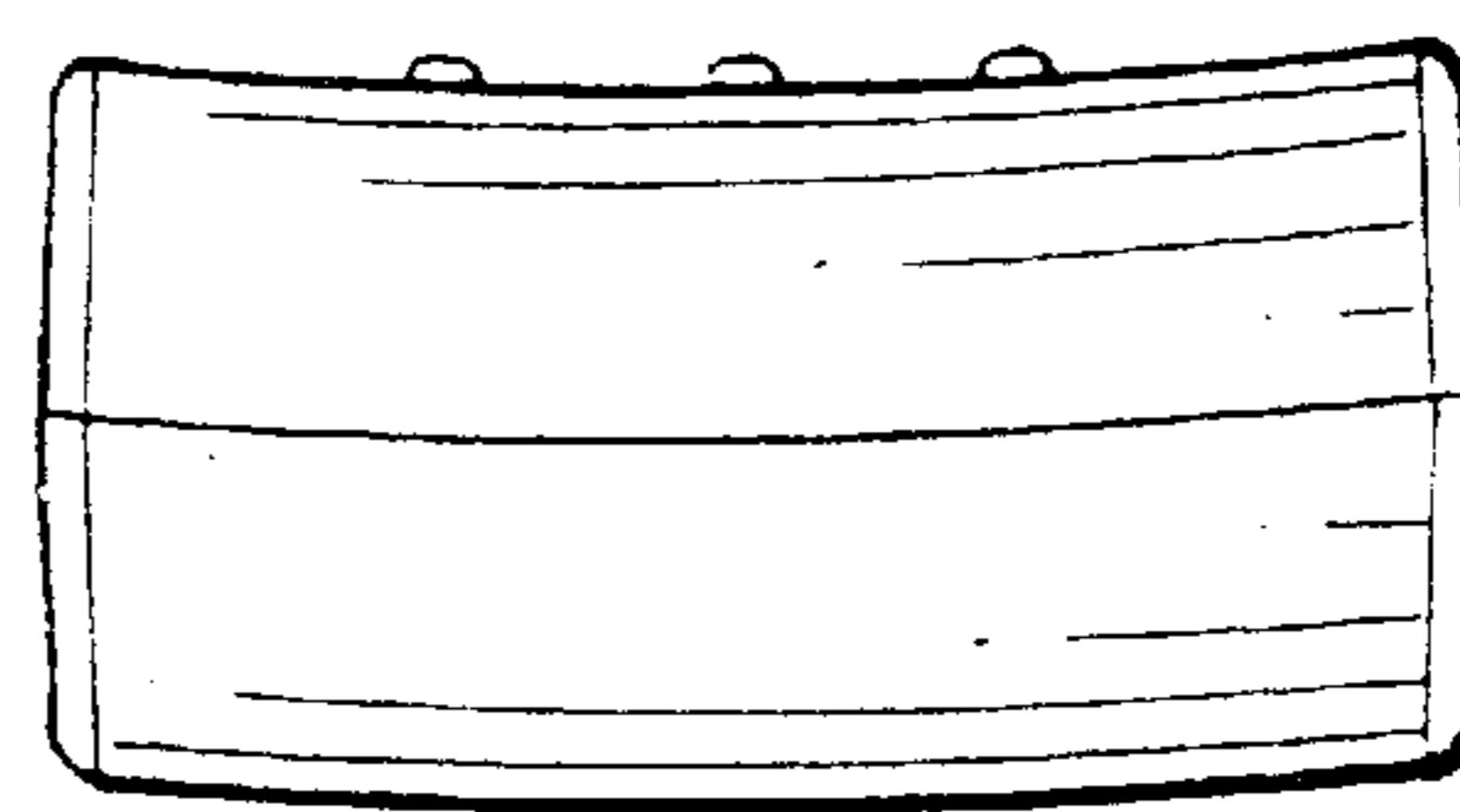
*Fig. 4.*



*Fig. 5.*



*Fig. 6.*



*Fig. 7.*