



US00D517981S

(12) **United States Design Patent**
Daly

(10) **Patent No.:** **US D517,981 S**
(45) **Date of Patent:** **** Mar. 28, 2006**

- (54) **SOLAR PANEL ASSEMBLY**
- (76) Inventor: **Lewis J. Daly**, 5890 Pierson Rd., Fayetteville, NY (US) 13066
- (**) Term: **14 Years**
- (21) Appl. No.: **29/219,041**
- (22) Filed: **Dec. 10, 2004**
- (51) **LOC (8) Cl.** **13-02**
- (52) **U.S. Cl.** **D13/102**
- (58) **Field of Classification Search** D13/101–104, D13/184, 199; 136/243–251, 256, 291; 156/245
See application file for complete search history.

(56) **References Cited**

U.S. PATENT DOCUMENTS

- D244,607 S * 6/1977 Riley D13/102
- 4,636,579 A * 1/1987 Hanak et al. 136/245
- D311,722 S * 10/1990 Cheng D13/102
- 5,685,151 A * 11/1997 Ross 60/641.8
- D420,973 S * 2/2000 Kalarney D13/102

D425,013 S * 5/2000 Lai D13/102

* cited by examiner

Primary Examiner—Stella Reid
Assistant Examiner—Daniel Bui
(74) *Attorney, Agent, or Firm*—Wall Marjama & Bilinski LLP

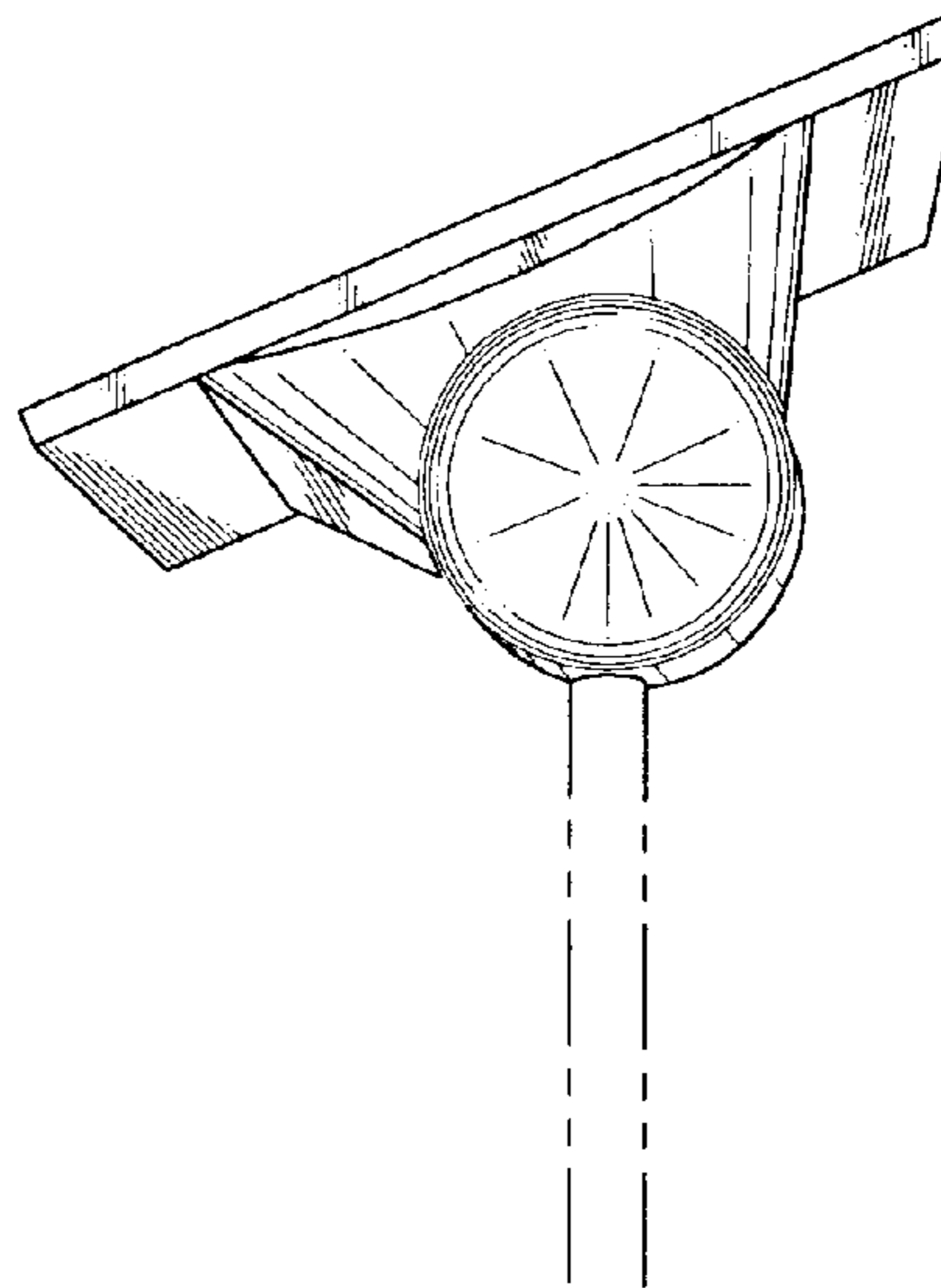
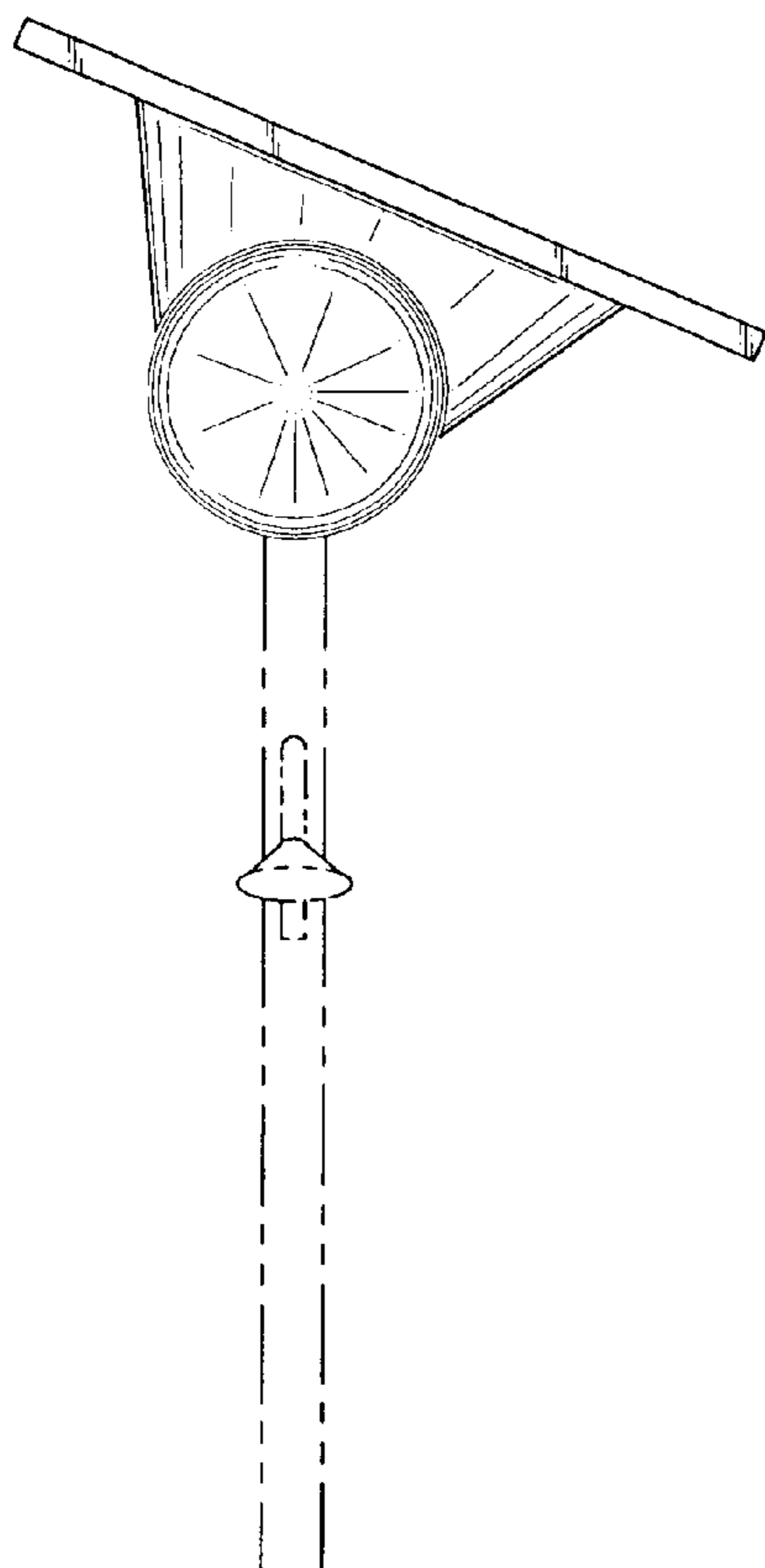
(57) **CLAIM**

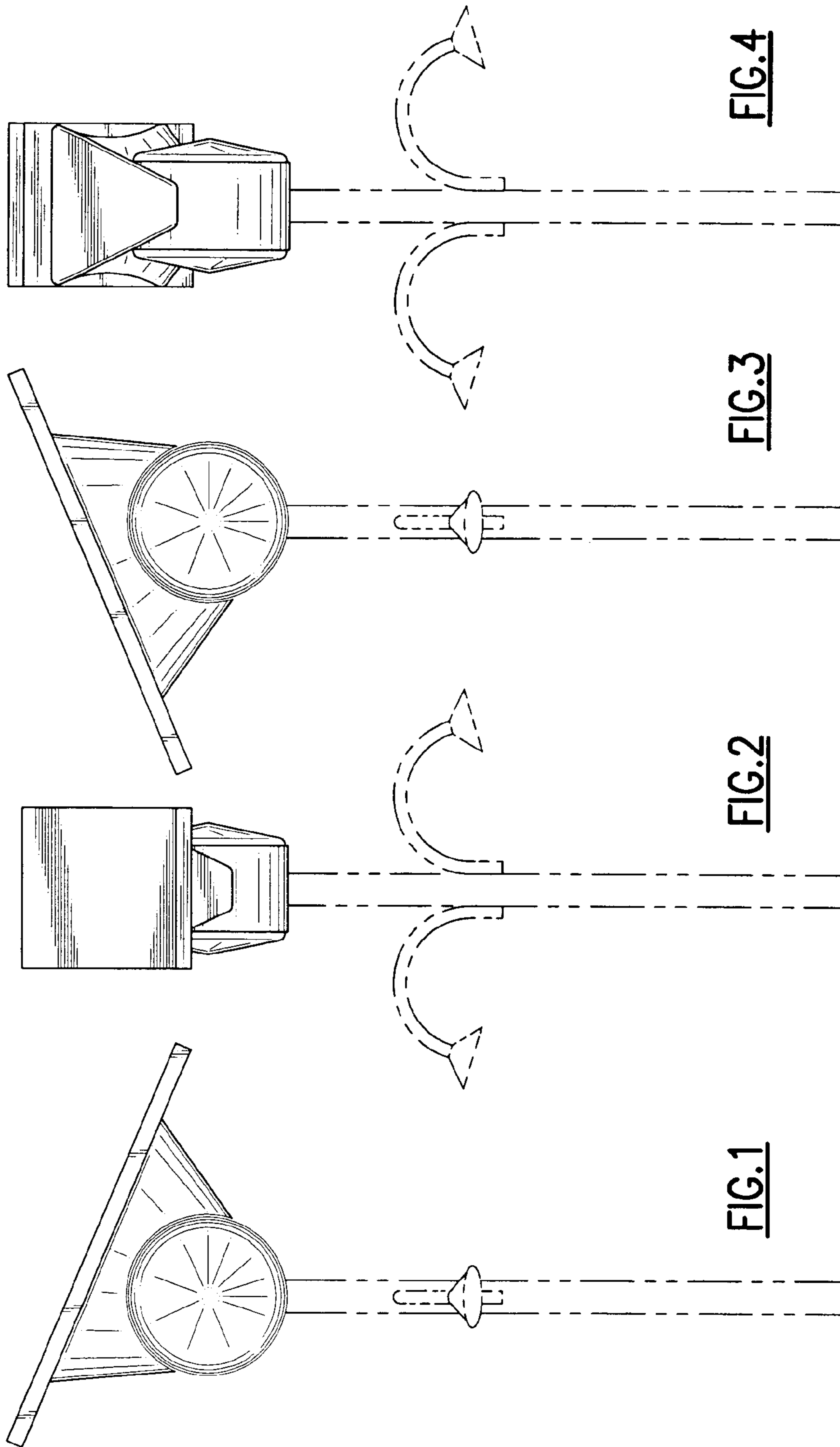
The ornamental design for a solar panel assembly, as shown and described.

DESCRIPTION

FIG. 1 is a right side view of a solar panel assembly showing my new design.
FIG. 2 is a front view thereof.
FIG. 3 is a left side view thereof.
FIG. 4 is a rear view thereof.
FIG. 5 is a top view thereof.
FIG. 6 is a bottom view thereof; and,
FIG. 7 is a perspective side view thereof.
The broken line showing of the environment is for illustrative purposes only and forms no part of the claimed design.

1 Claim, 2 Drawing Sheets





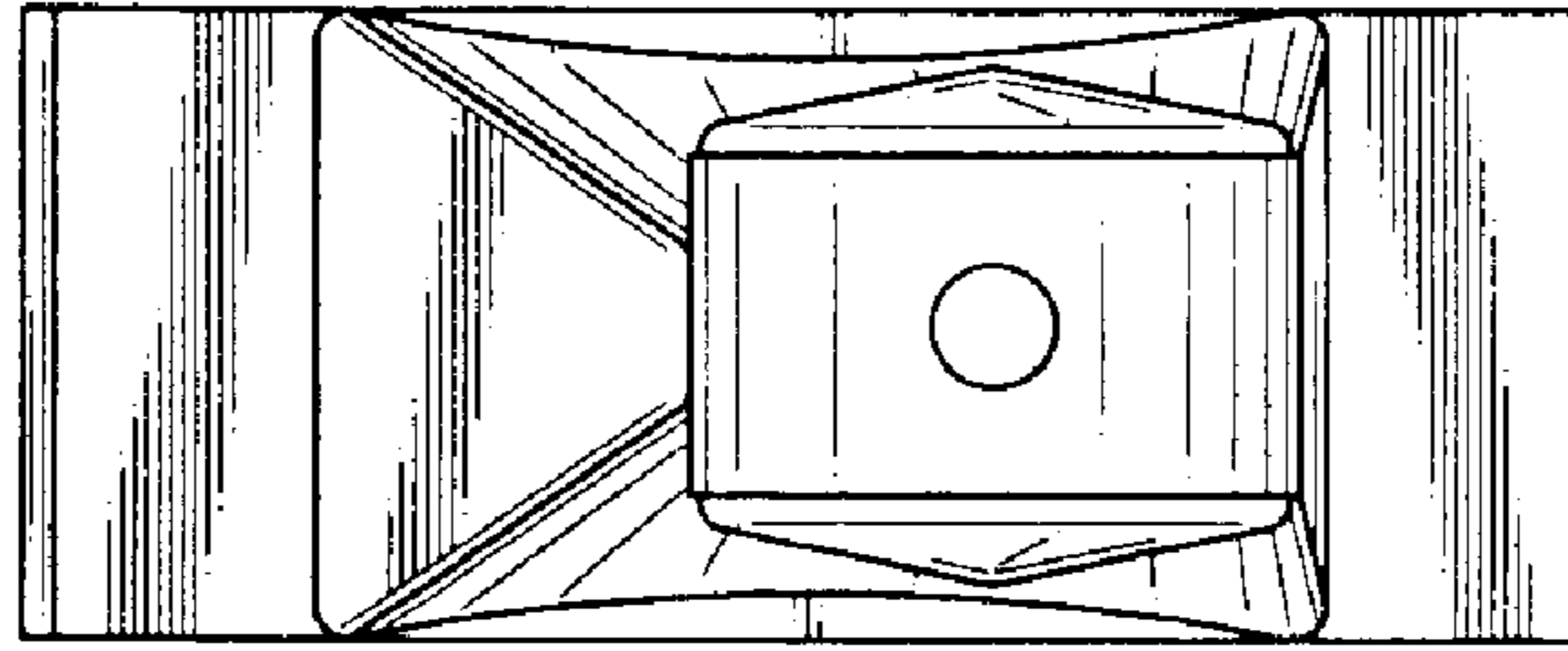


FIG. 6

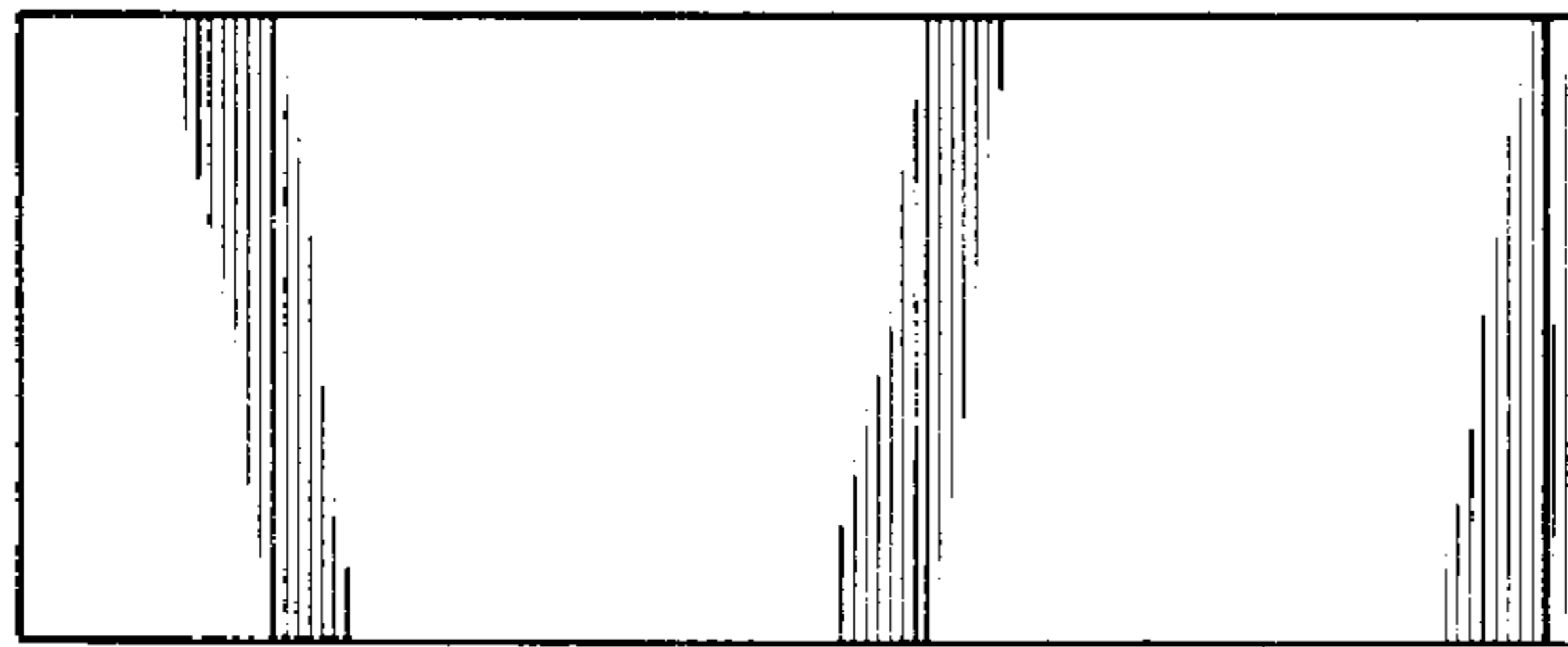


FIG. 5

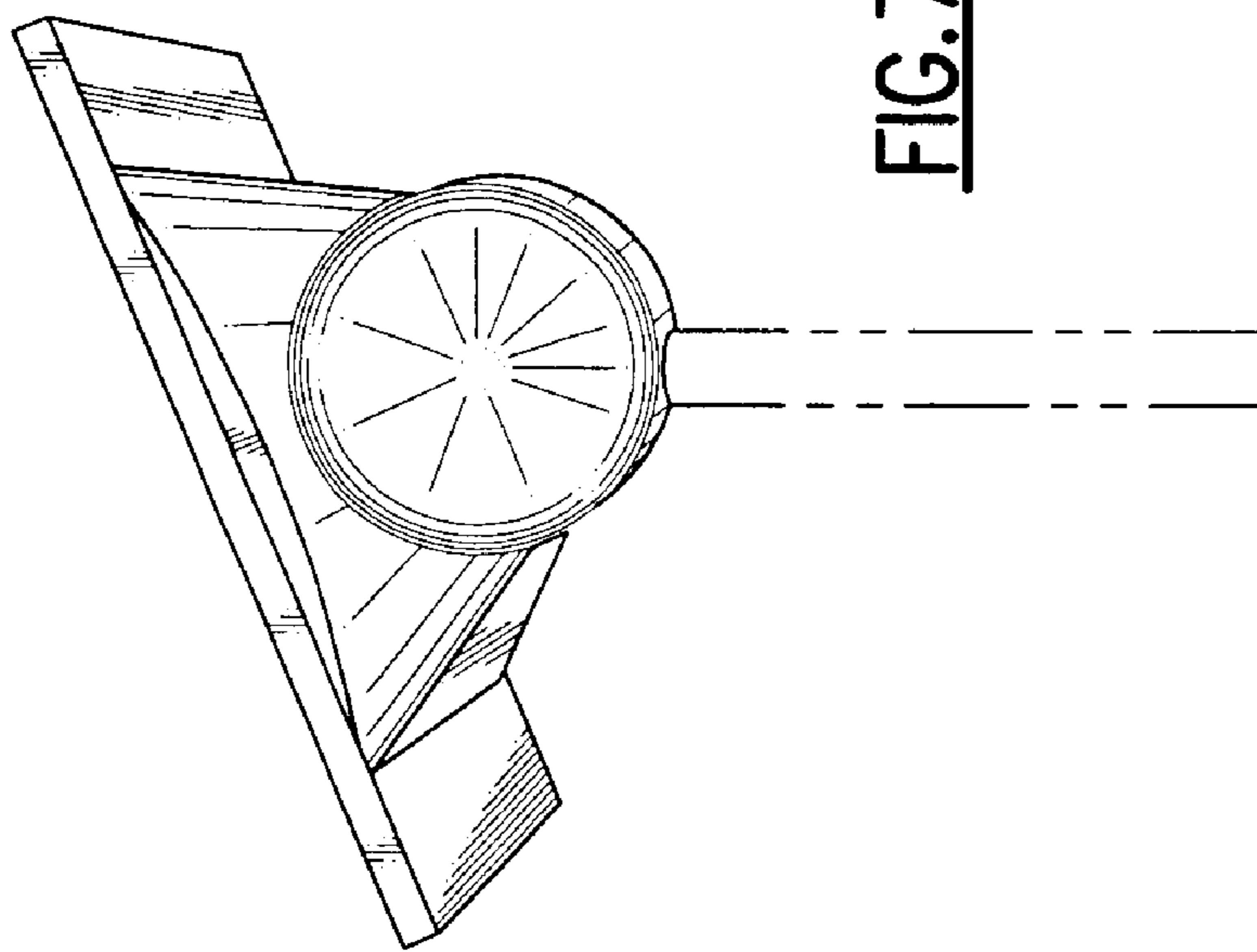


FIG. 7