



US00D517975S

(12) **United States Design Patent**
Zeiger

(10) **Patent No.:** **US D517,975 S**
(45) **Date of Patent:** **** Mar. 28, 2006**

(54) **TILT HELM FOR A BOAT STEERING WHEEL**

(76) Inventor: **Donald J. Zeiger**, 518 Portside Dr., Sandusky, OH (US) 44870

(**) Term: **14 Years**

(21) Appl. No.: **29/228,937**

(22) Filed: **Apr. 29, 2005**

Related U.S. Application Data

(62) Division of application No. 29/198,594, filed on Jan. 30, 2004.

(51) **LOC (8) Cl.** **12-06**

(52) **U.S. Cl.** **D12/317**

(58) **Field of Classification Search** D12/175, D12/176, 177, 317; 114/23, 160, 144 R; 74/493; 440/53

See application file for complete search history.

(56) **References Cited**

U.S. PATENT DOCUMENTS

- 2,267,308 A * 12/1941 Russell et al. 74/557
- D149,829 S * 6/1948 Mungen D12/177
- D158,903 S * 6/1950 Sinko D12/177
- D173,683 S * 12/1954 Sinko D12/177
- D176,297 S * 12/1955 Whitehouse D12/177

- D176,298 S * 12/1955 Whitehouse D12/177
- D185,608 S * 6/1959 Mainzinger D12/177
- 4,531,921 A * 7/1985 Teraura et al. 440/53
- 5,136,894 A * 8/1992 Carter et al. 74/493
- 6,282,977 B1 * 9/2001 Satoh et al. 74/493
- 6,588,354 B1 * 7/2003 Gai 114/144 R

* cited by examiner

Primary Examiner—Holly Baynham

Assistant Examiner—Cynthia M. Chin

(74) *Attorney, Agent, or Firm*—Fred Zollinger, III

(57) **CLAIM**

The ornamental design for a tilt helm for a boat steering wheel, as shown and described.

DESCRIPTION

FIG. 1 is a perspective view of the tilt helm for a boat steering wheel showing my new design.

FIG. 2 is a front elevation view of FIG. 1.

FIG. 3 is a top plan view of FIG. 1.

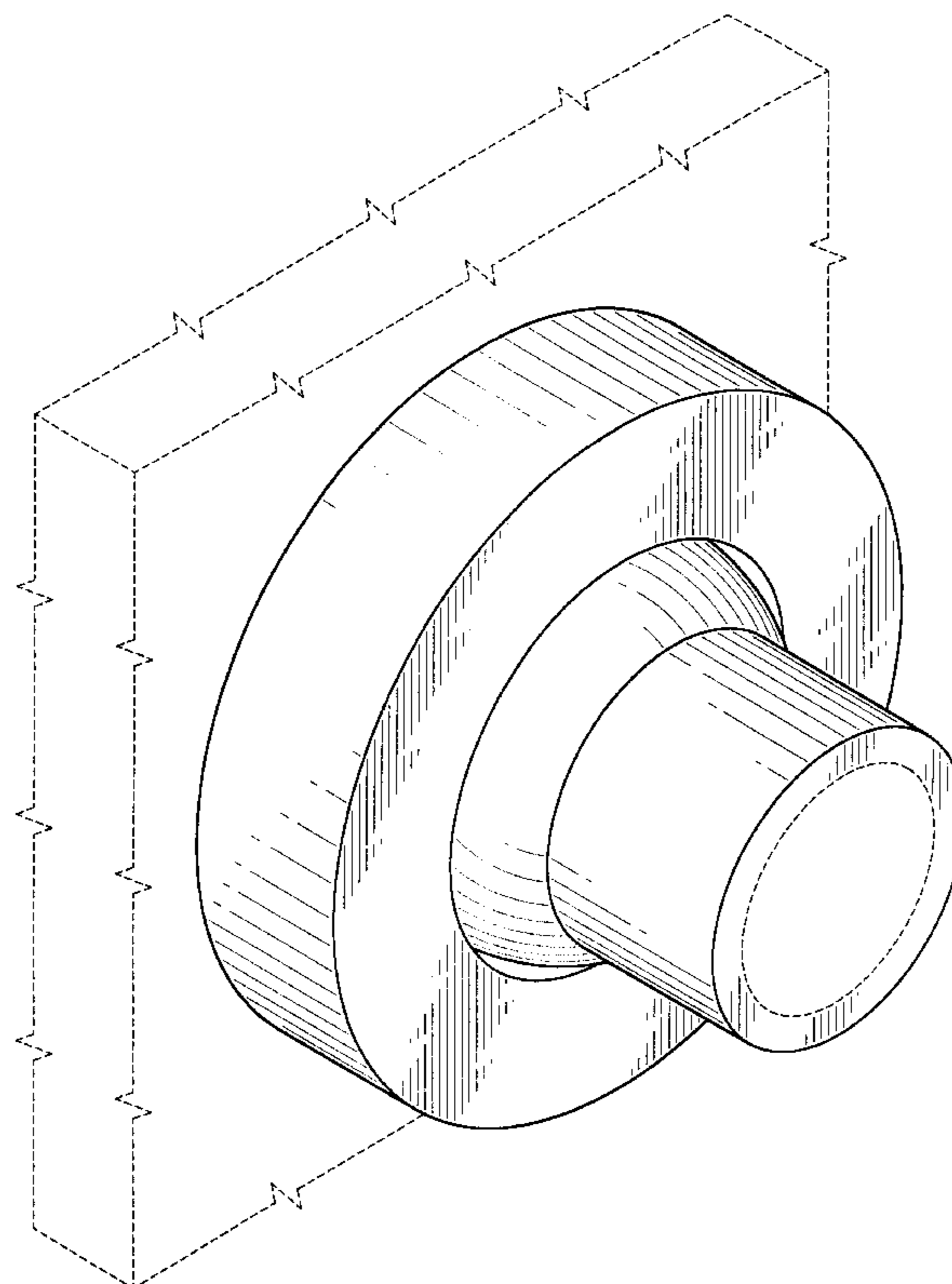
FIG. 4 is a bottom plan view of FIG. 1.

FIG. 5 is a right side elevation view of FIG. 1; and,

FIG. 6 is a left side elevation view of FIG. 1.

The broken lines immediately adjacent the shaded areas represent the bounds of the claim and all other broken lines are for illustrative purposes only. None of the broken lines form a part of the claimed design.

1 Claim, 4 Drawing Sheets



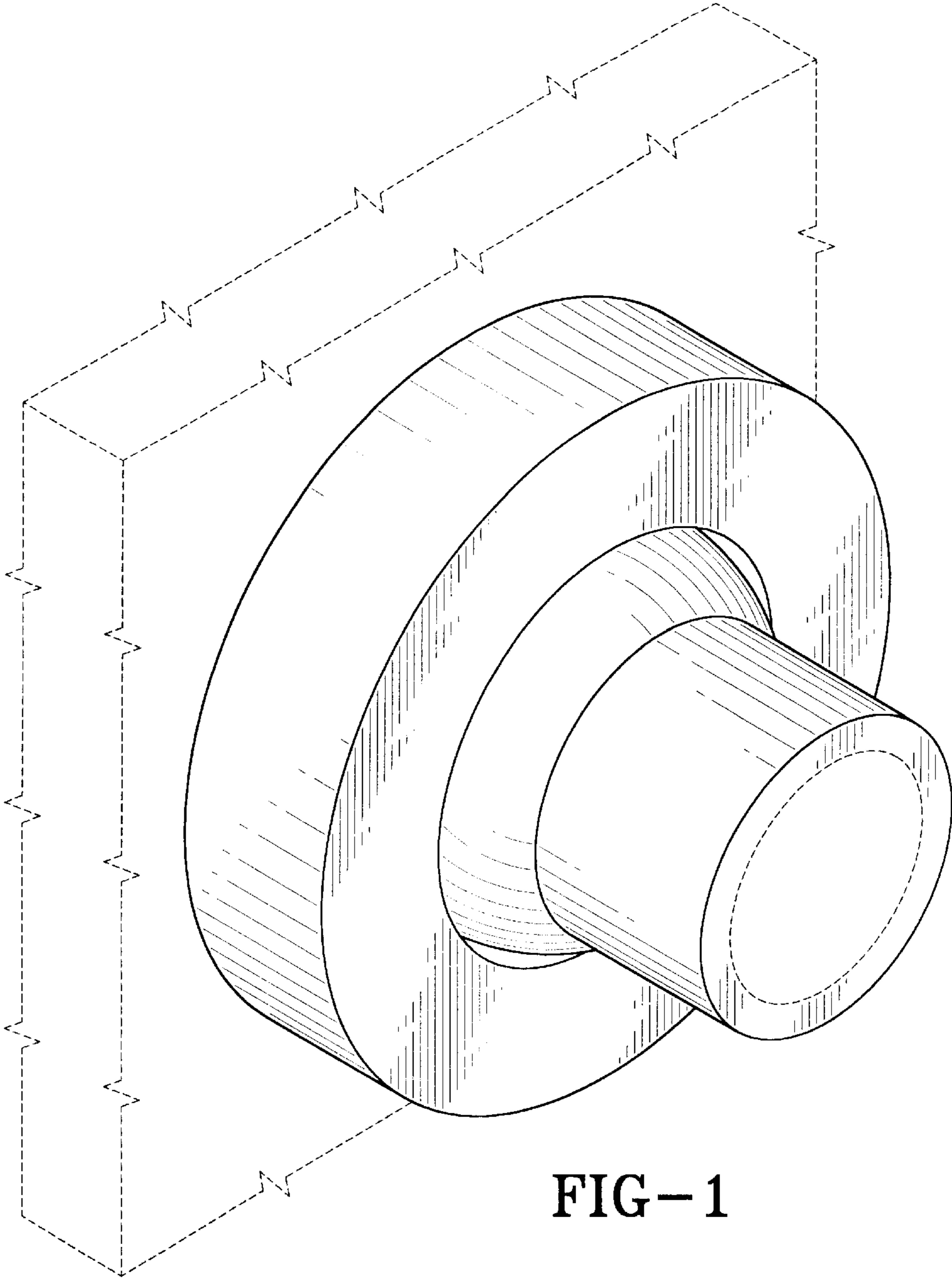


FIG-1

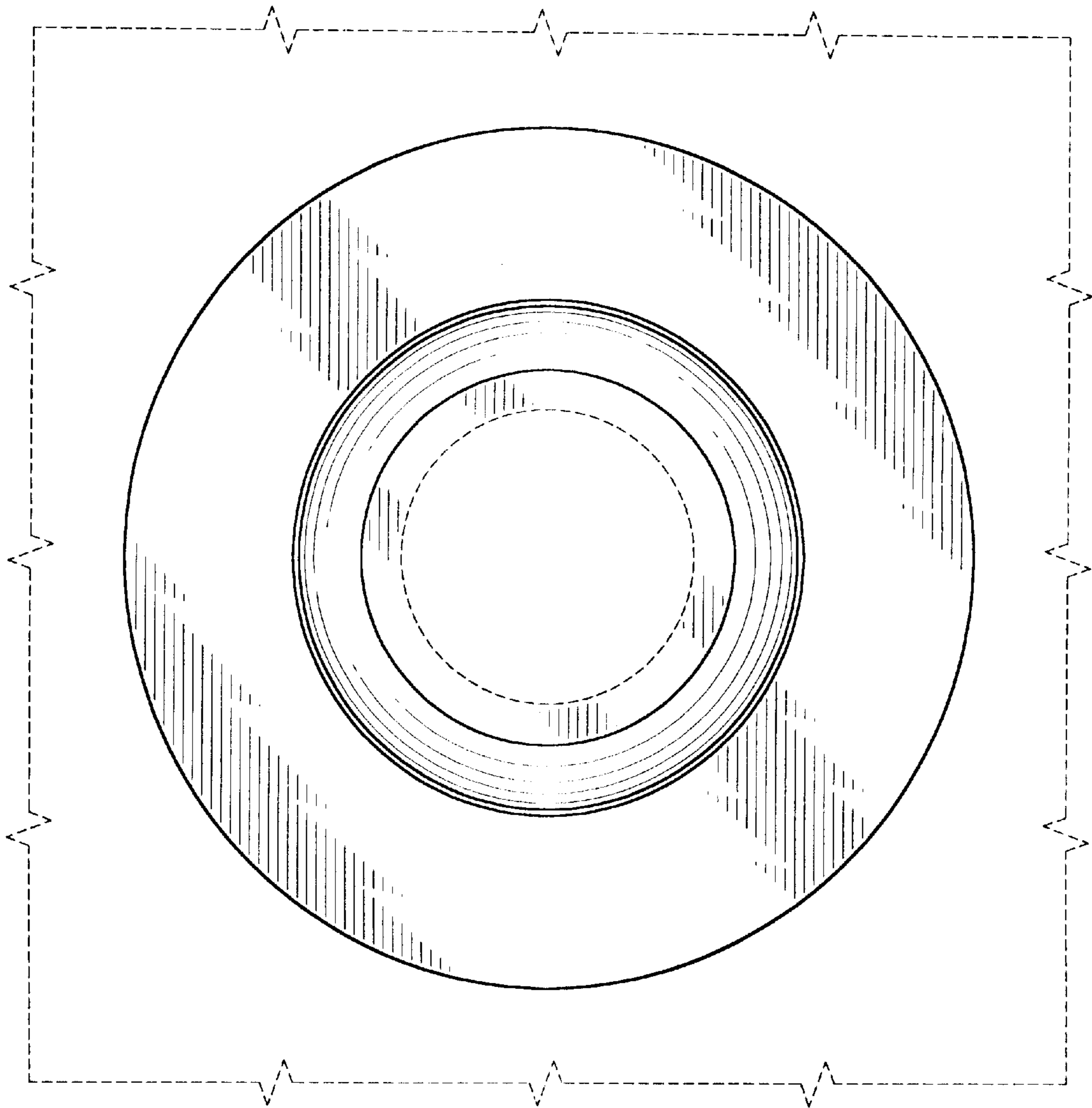


FIG-2

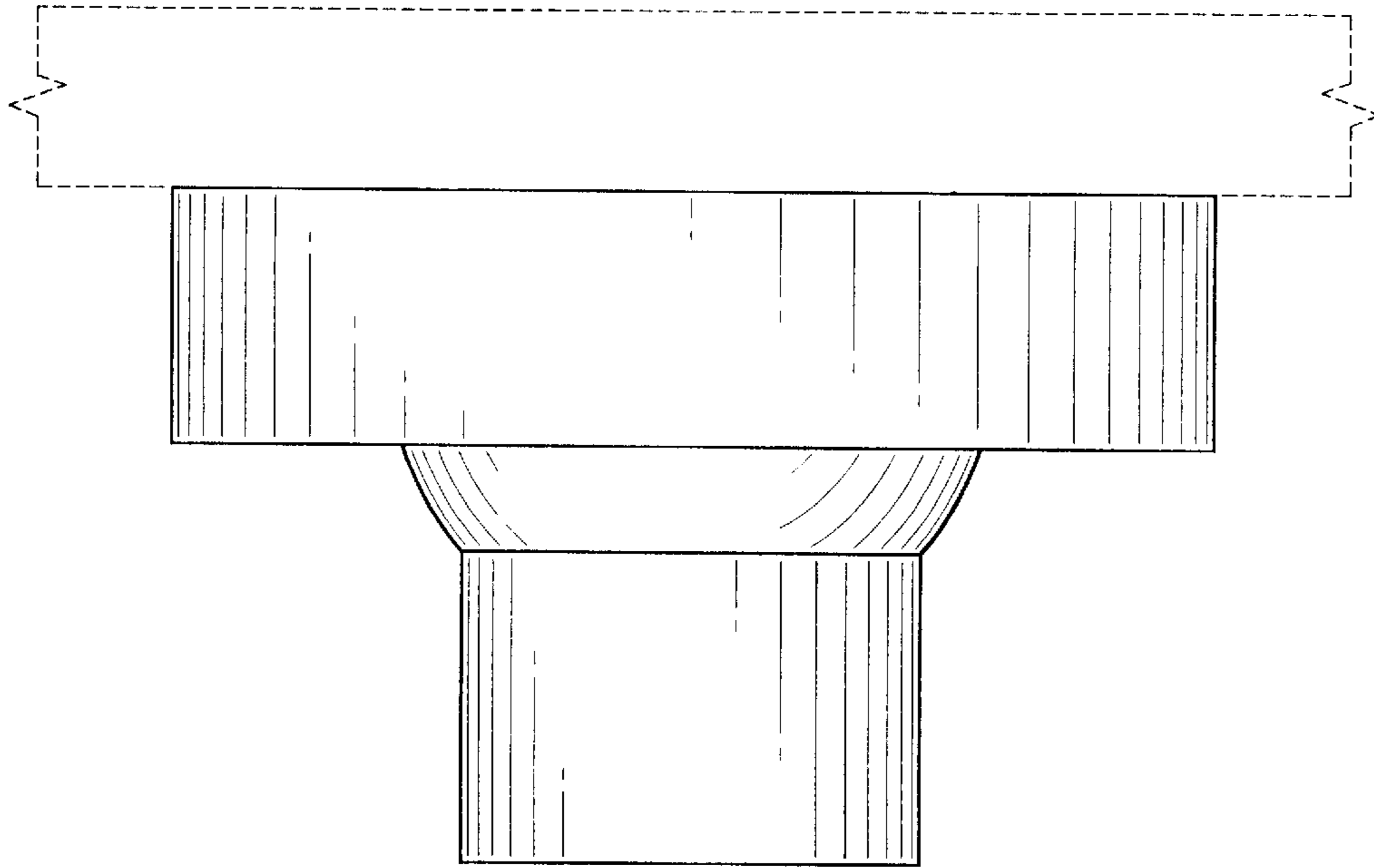


FIG-3

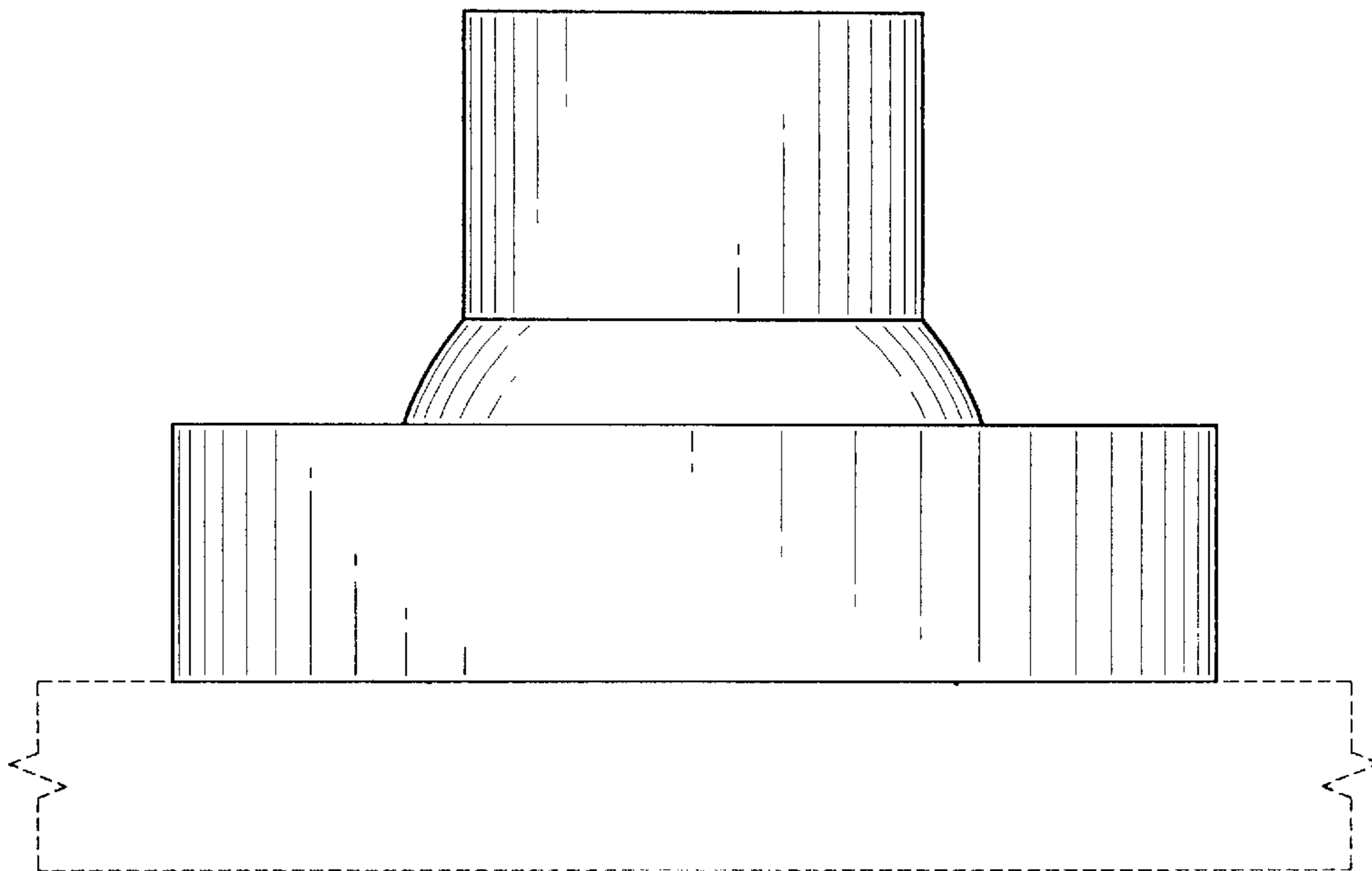


FIG-4

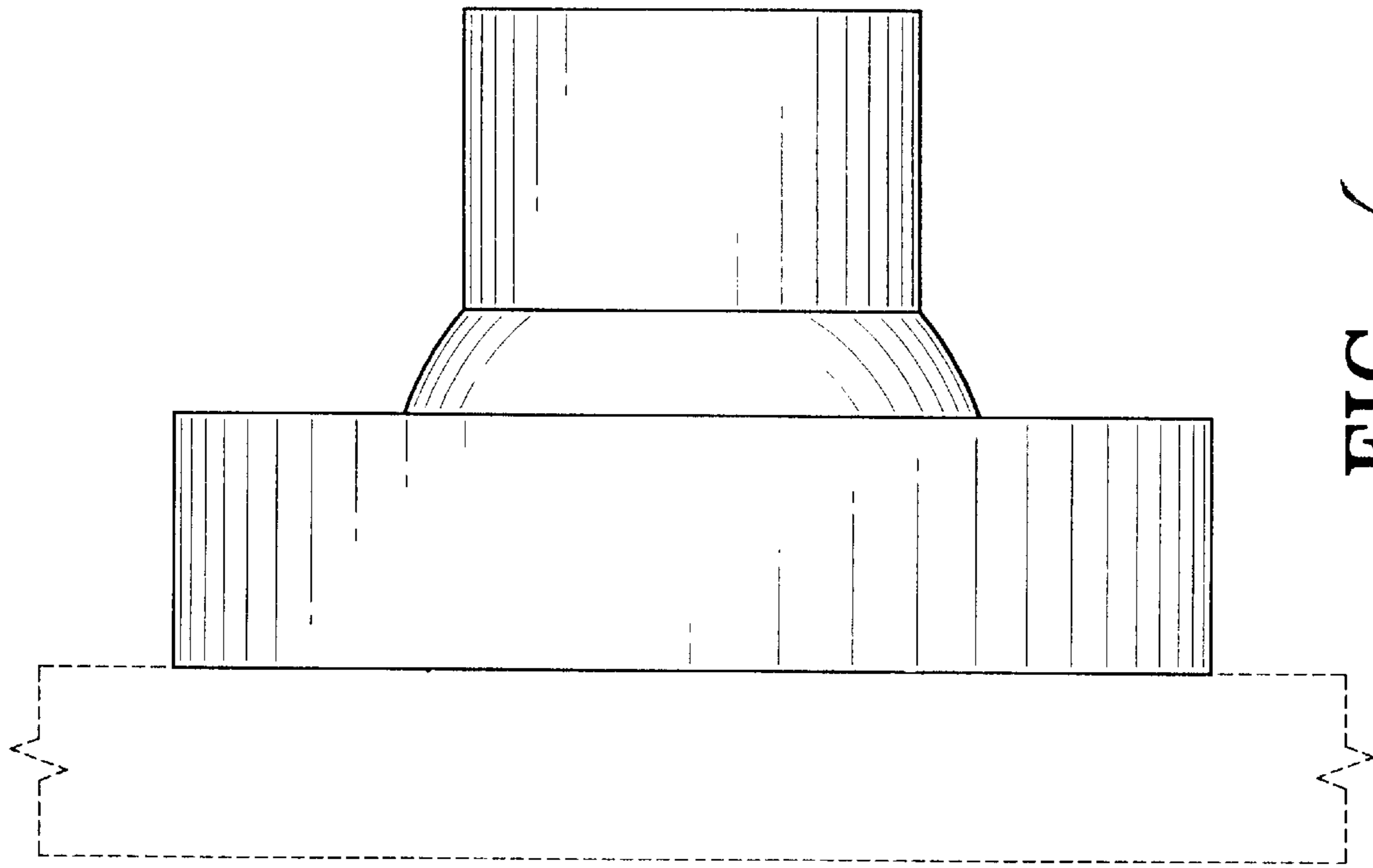


FIG-6

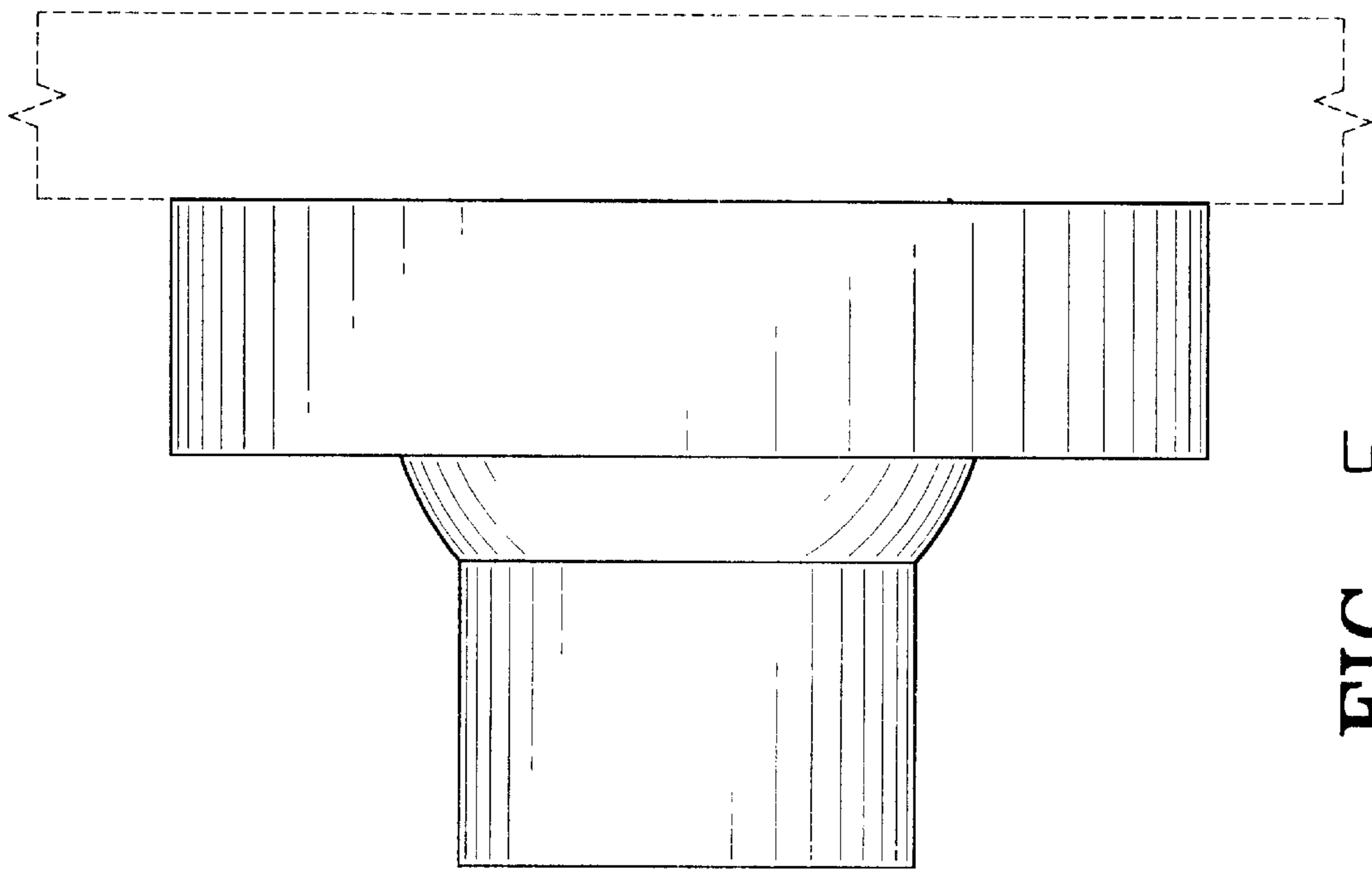


FIG-5