



US00D517971S

(12) **United States Design Patent**
Pfeiffer

(10) **Patent No.:** **US D517,971 S**
(45) **Date of Patent:** **** Mar. 28, 2006**

(54) **FRONT FACE OF A VEHICLE WHEEL**

(75) Inventor: **Peter Pfeiffer**, Boeblingen (DE)

(73) Assignee: **DaimlerChrysler AG**, Stuttgart (DE)

(**) Term: **14 Years**

(21) Appl. No.: **29/207,851**

(22) Filed: **Jun. 21, 2004**

(30) **Foreign Application Priority Data**

Dec. 22, 2003 (DE) 4 03 08 059

(51) **LOC (8) Cl.** **12-16**

(52) **U.S. Cl.** **D12/211**

(58) **Field of Classification Search** D12/204-213;
301/37.101, 64.101, 65

See application file for complete search history.

(56) **References Cited**

U.S. PATENT DOCUMENTS

D380,432 S	*	7/1997	Hettler	D12/209
D407,364 S	*	3/1999	Fisker	D12/209
D421,417 S	*	3/2000	Weidhase	D12/209
D432,974 S	*	10/2000	Jablonski	D12/211
D450,647 S	*	11/2001	Pfeiffer	D12/211
D450,650 S	*	11/2001	Cinibulk	D12/211
D454,527 S	*	3/2002	Bhambra	D12/209

D475,674 S	*	6/2003	Baumgartner	D12/211
D485,524 S	*	1/2004	Bhambra	D12/209
D486,111 S	*	2/2004	Weidhase	D12/211
D487,881 S	*	3/2004	Laengerer	D12/209
D502,677 S	*	3/2005	Baum	D12/209
D504,100 S	*	4/2005	Pollmann	D12/211

* cited by examiner

Primary Examiner—Stacia Cadmus

(74) *Attorney, Agent, or Firm*—Crowell & Moring LLP

(57) **CLAIM**

The ornamental design for a front face of a vehicle wheel, as shown and described.

DESCRIPTION

FIG. 1 is a front view of a first embodiment of a front face of a vehicle wheel according to my novel design;

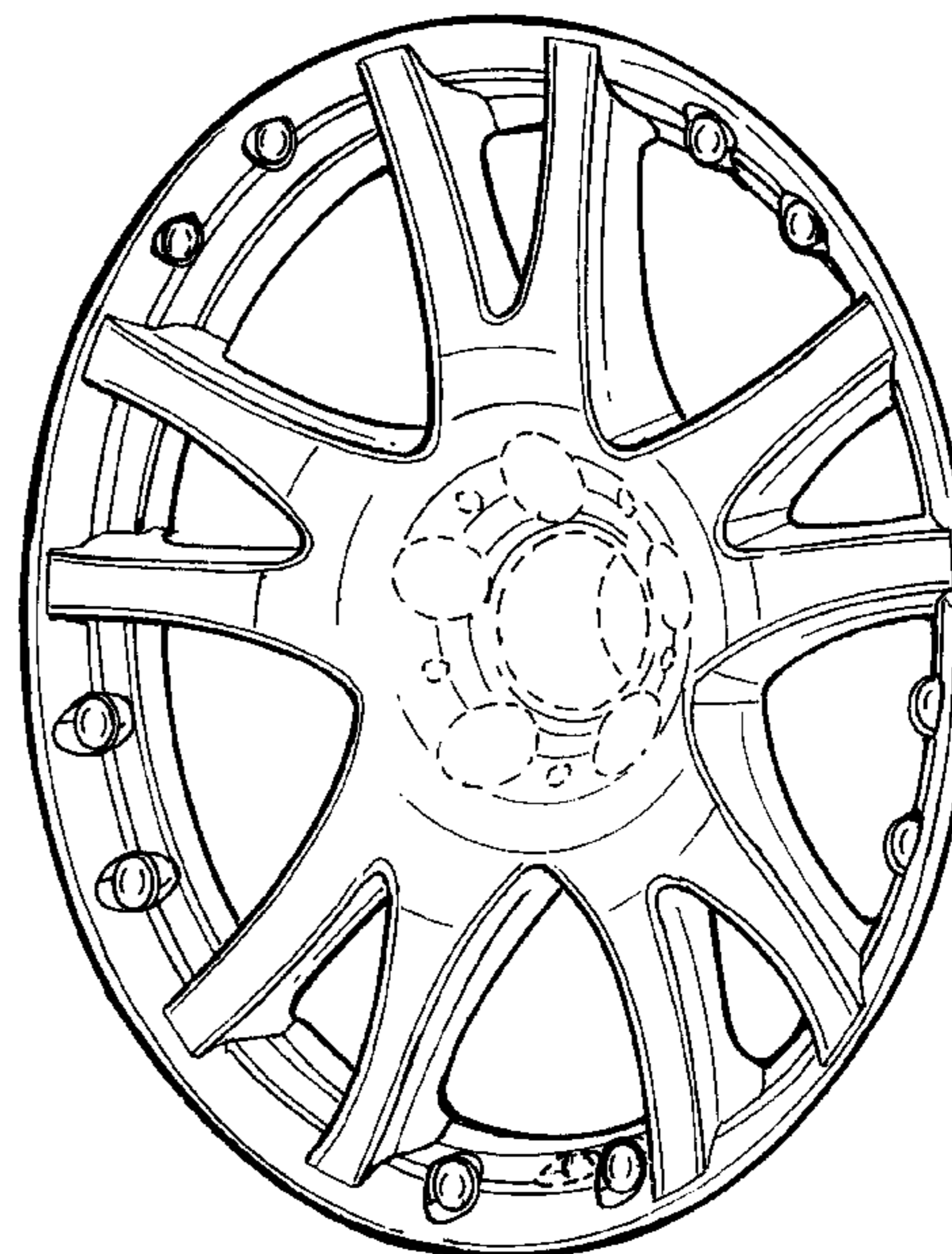
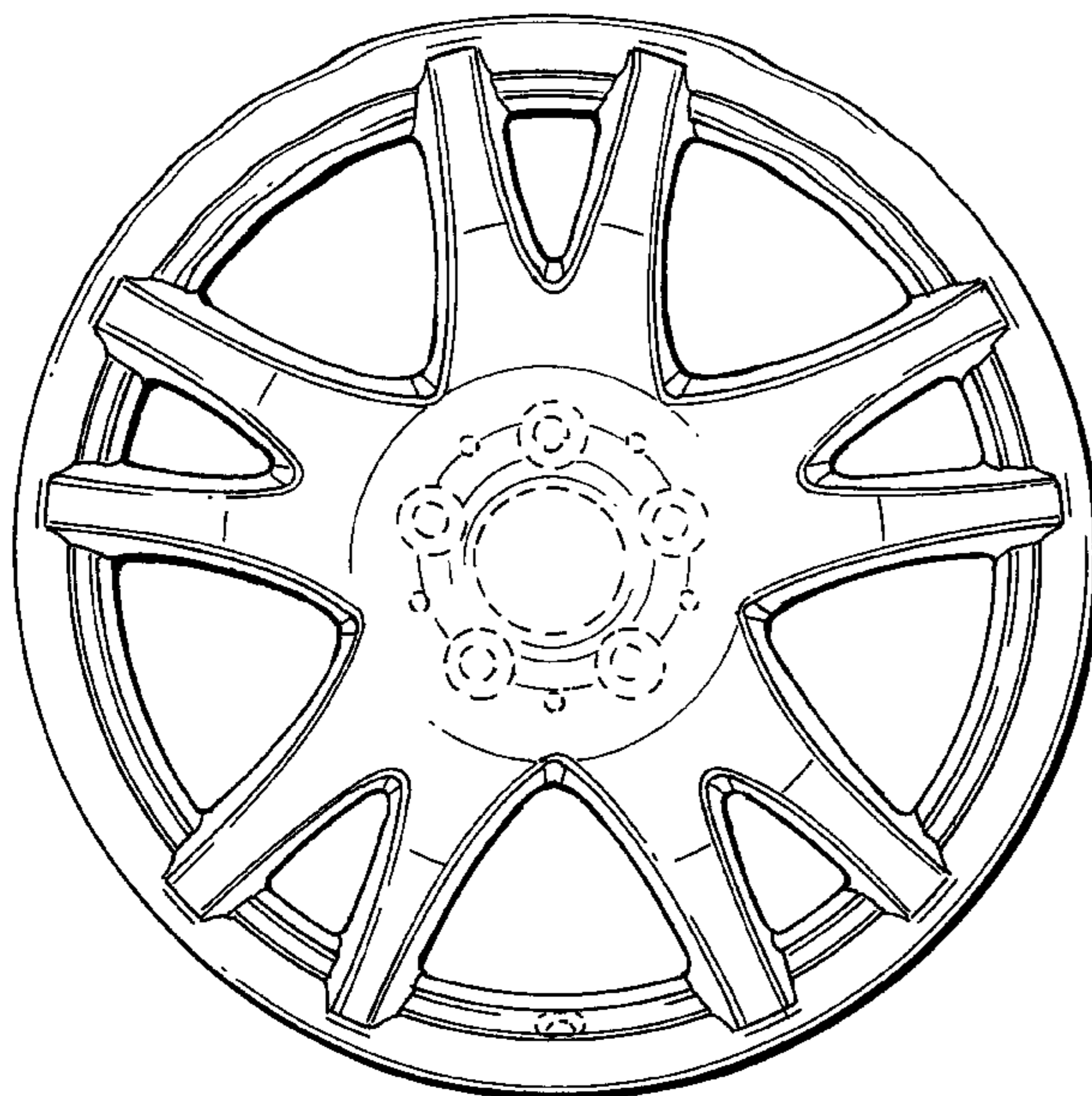
FIG. 2 is a perspective view of the first embodiment of the front face of a vehicle wheel according to my novel design;

FIG. 3 is a front view of a second embodiment of the front face of a vehicle wheel according to my novel design; and,

FIG. 4 is a perspective view of the second embodiment of the front face of a vehicle wheel according to my novel design.

The broken lines are for illustrative purposes only and form no part of the claimed design.

1 Claim, 2 Drawing Sheets



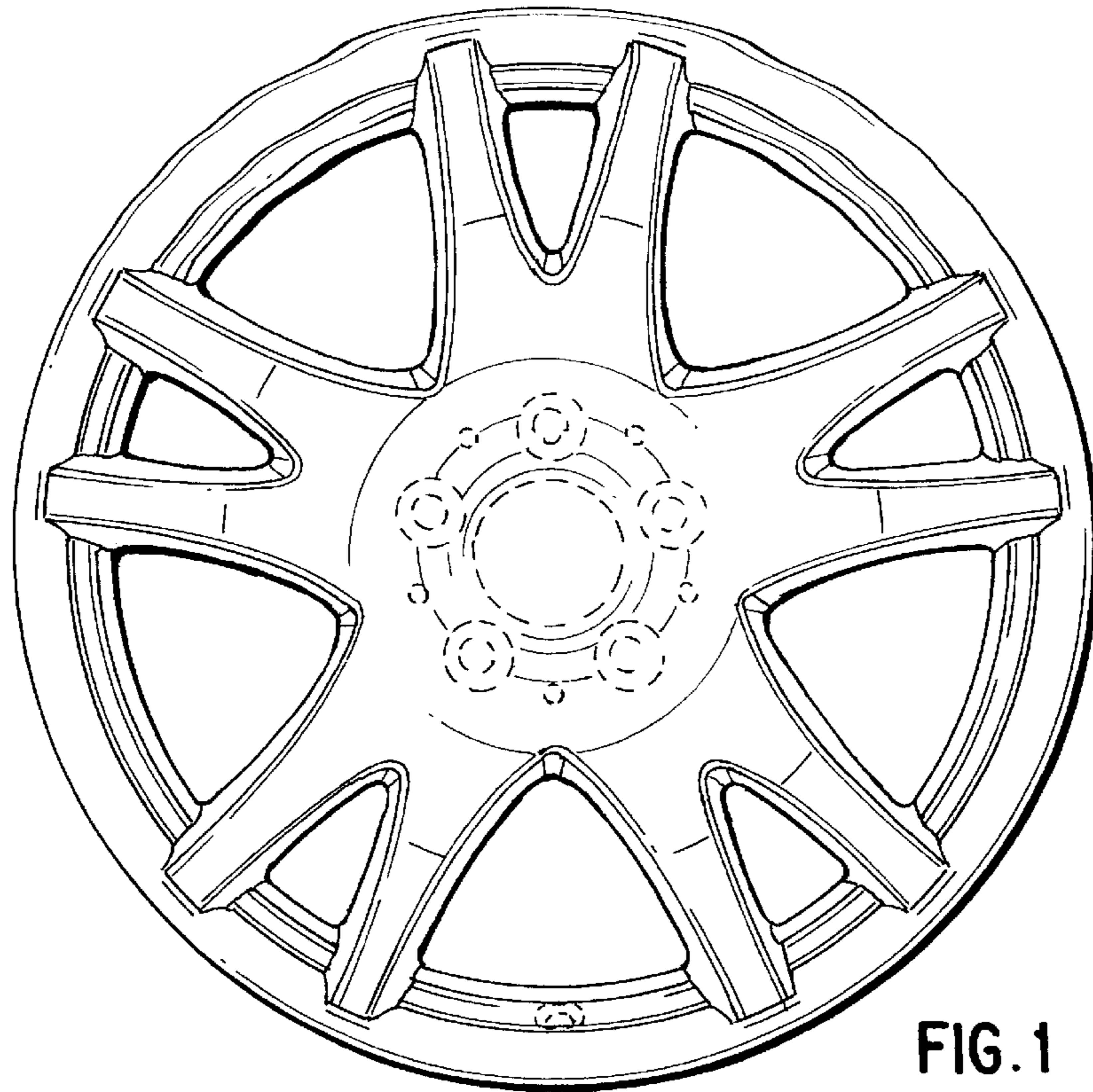


FIG. 1

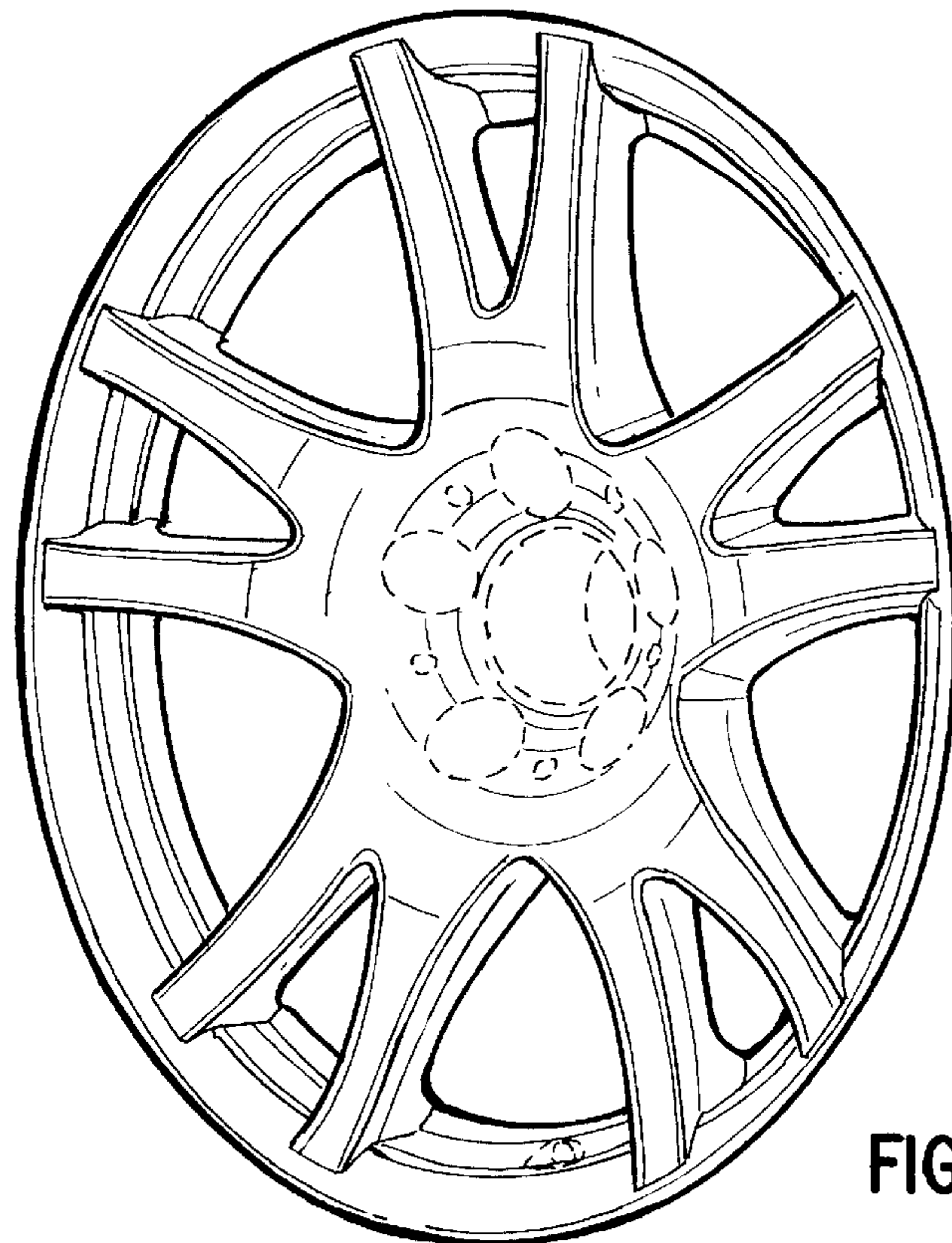


FIG. 2

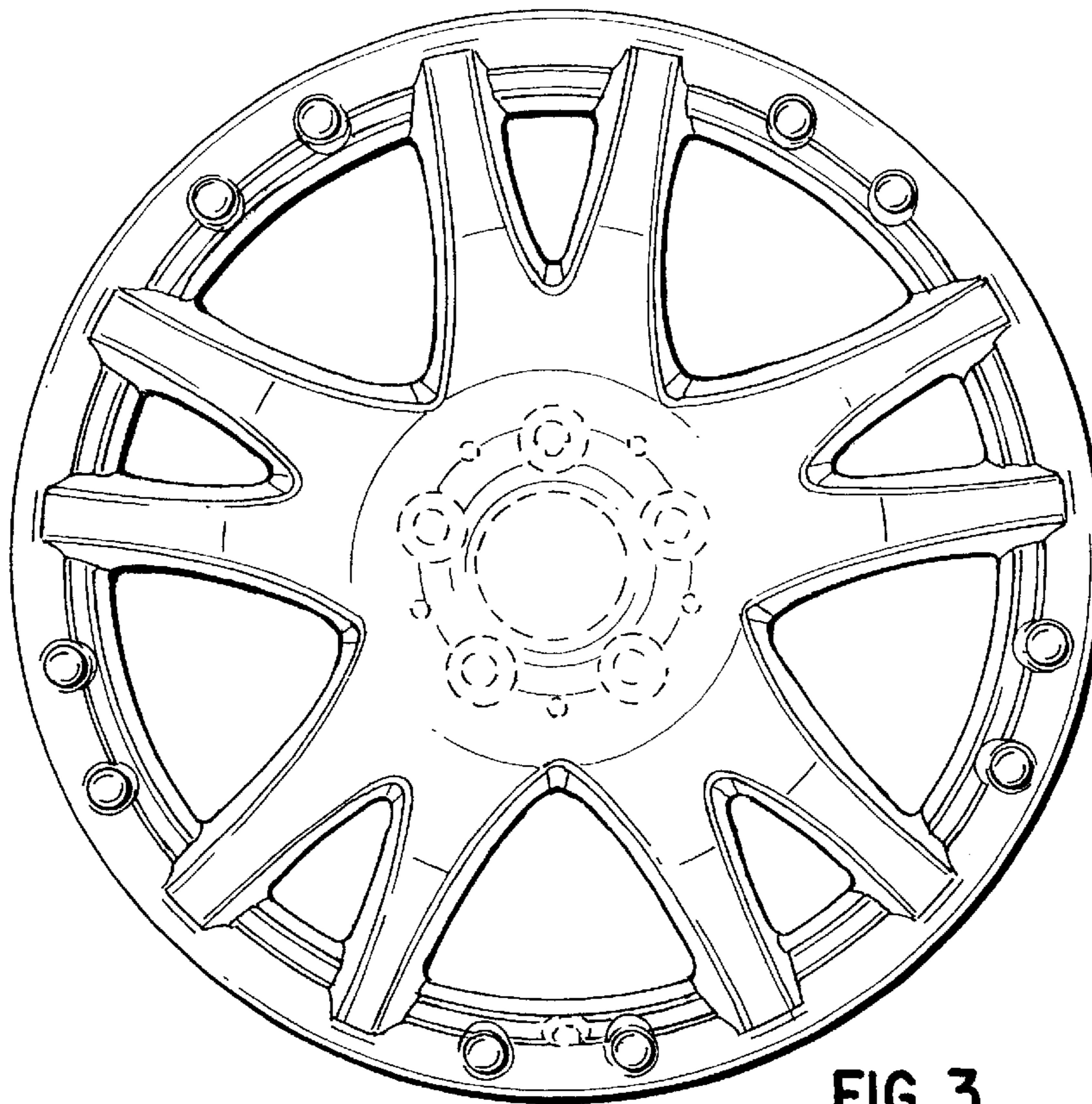


FIG. 3

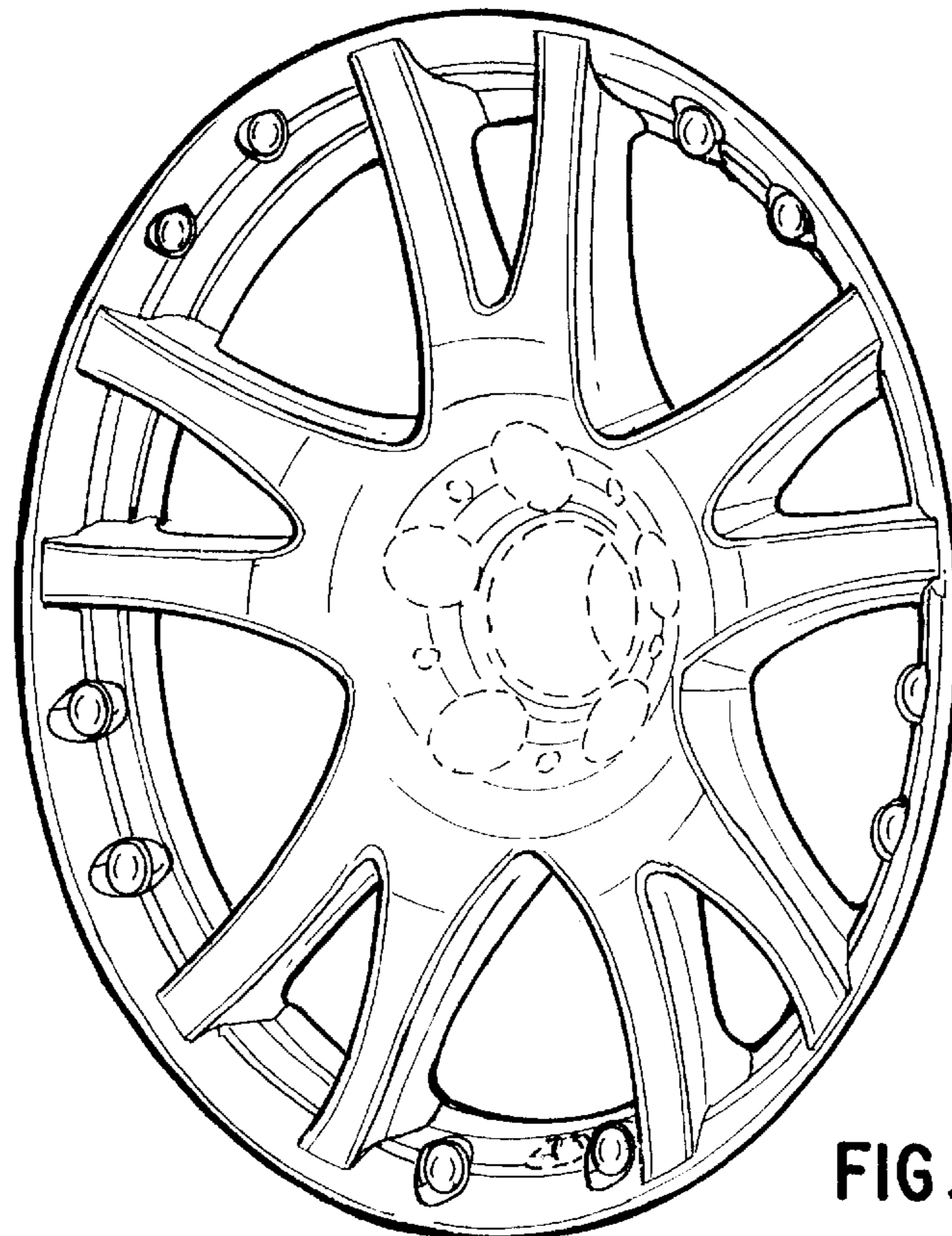


FIG. 4