



US00D517970S

(12) **United States Design Patent**  
**Pollmann**

(10) **Patent No.:** **US D517,970 S**  
(45) **Date of Patent:** **\*\* Mar. 28, 2006**

(54) **FRONT FACE OF A VEHICLE WHEEL**

(75) Inventor: **Gert Pollmann**, Boehmfeld (DE)

(73) Assignee: **Bayerische Motoren Werke Aktiengesellschaft**, Munich (DE)

(\*\*) Term: **14 Years**

(21) Appl. No.: **29/228,661**

(22) Filed: **Apr. 27, 2005**

(30) **Foreign Application Priority Data**

Oct. 28, 2004 (DE) ..... 40406173

(51) **LOC (8) Cl.** ..... **12-16**

(52) **U.S. Cl.** ..... **D12/209**

(58) **Field of Classification Search** ..... D12/204-213;  
301/37.101, 64.101, 65

See application file for complete search history.

(56) **References Cited**

**U.S. PATENT DOCUMENTS**

- D380,431 S \* 7/1997 Brown et al. .... D12/209
- D437,577 S \* 2/2001 Iacovelli ..... D12/209
- D446,762 S \* 8/2001 Hussaini et al. .... D12/209

- D454,327 S \* 3/2002 Bux ..... D12/211
- D454,527 S \* 3/2002 Bhambra ..... D12/209
- D460,942 S \* 7/2002 Lee ..... D12/211
- D480,036 S \* 9/2003 Laengerer ..... D12/211
- D483,714 S \* 12/2003 Warming ..... D12/211
- D486,111 S \* 2/2004 Weidhase ..... D12/211
- D489,309 S \* 5/2004 Laengerer ..... D12/211
- D499,685 S \* 12/2004 Schaefers ..... D12/211
- D502,677 S \* 3/2005 Baum ..... D12/209

\* cited by examiner

*Primary Examiner*—Stacia Cadmus

(74) *Attorney, Agent, or Firm*—Crowell & Moring LLP

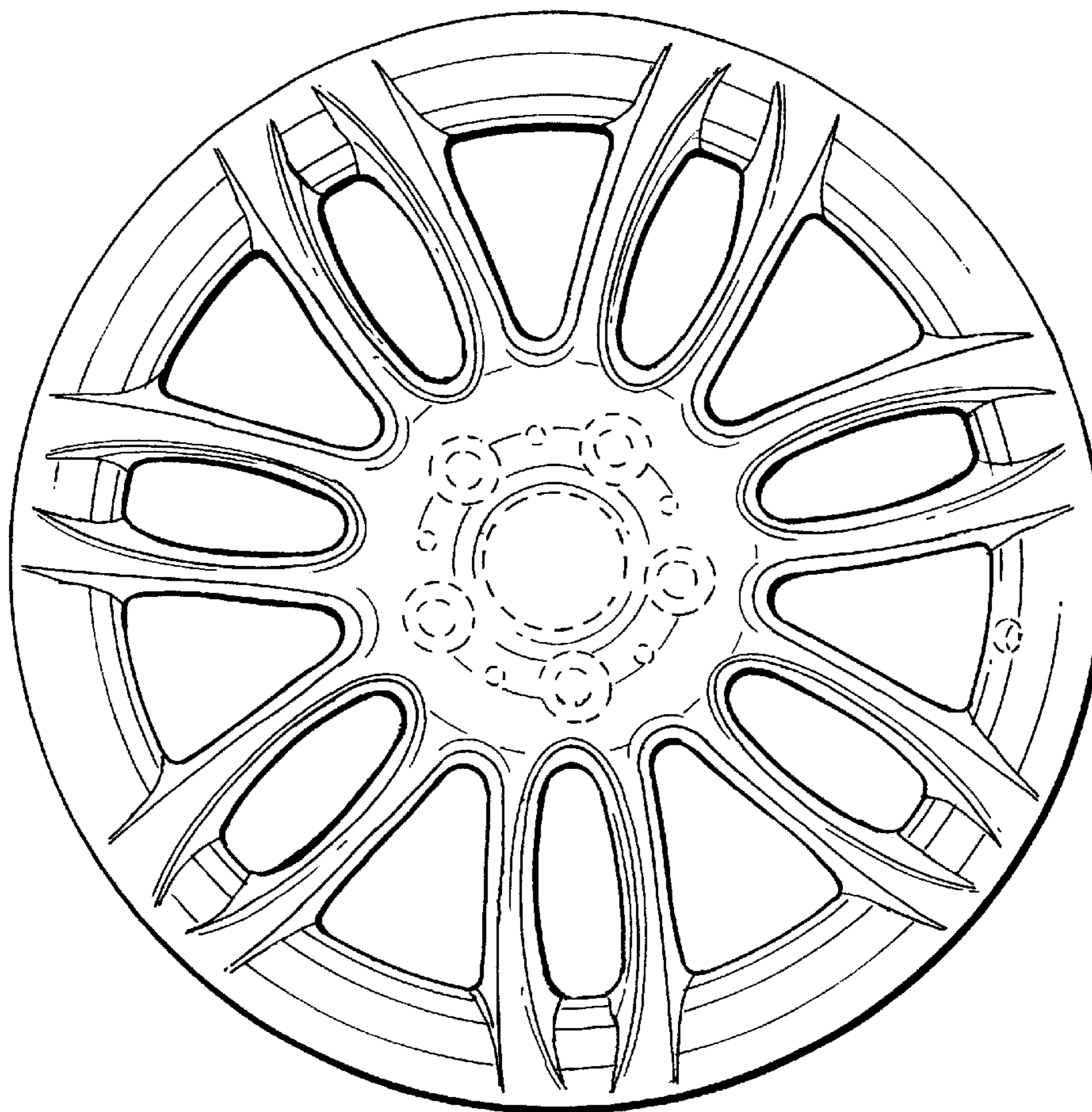
(57) **CLAIM**

The ornamental design for a front face of a vehicle wheel, as shown and described.

**DESCRIPTION**

FIG. 1 is a front view of a front face of a vehicle wheel according to my novel design; and, FIG. 2 is a perspective view of the front face of a vehicle wheel according to my novel design. The broken lines are for illustrative purposes only and form no part of the claimed design.

**1 Claim, 1 Drawing Sheet**



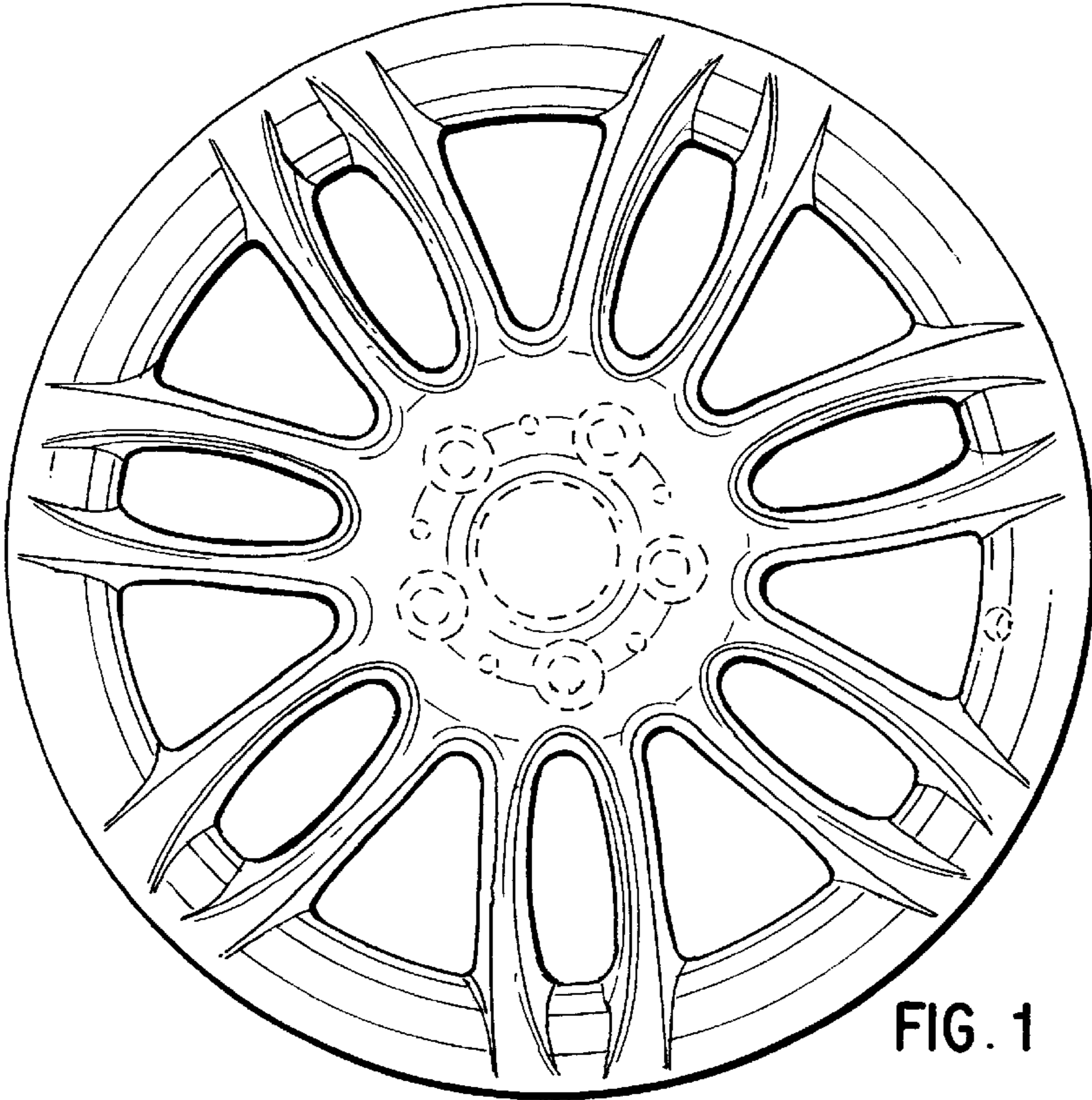


FIG. 1

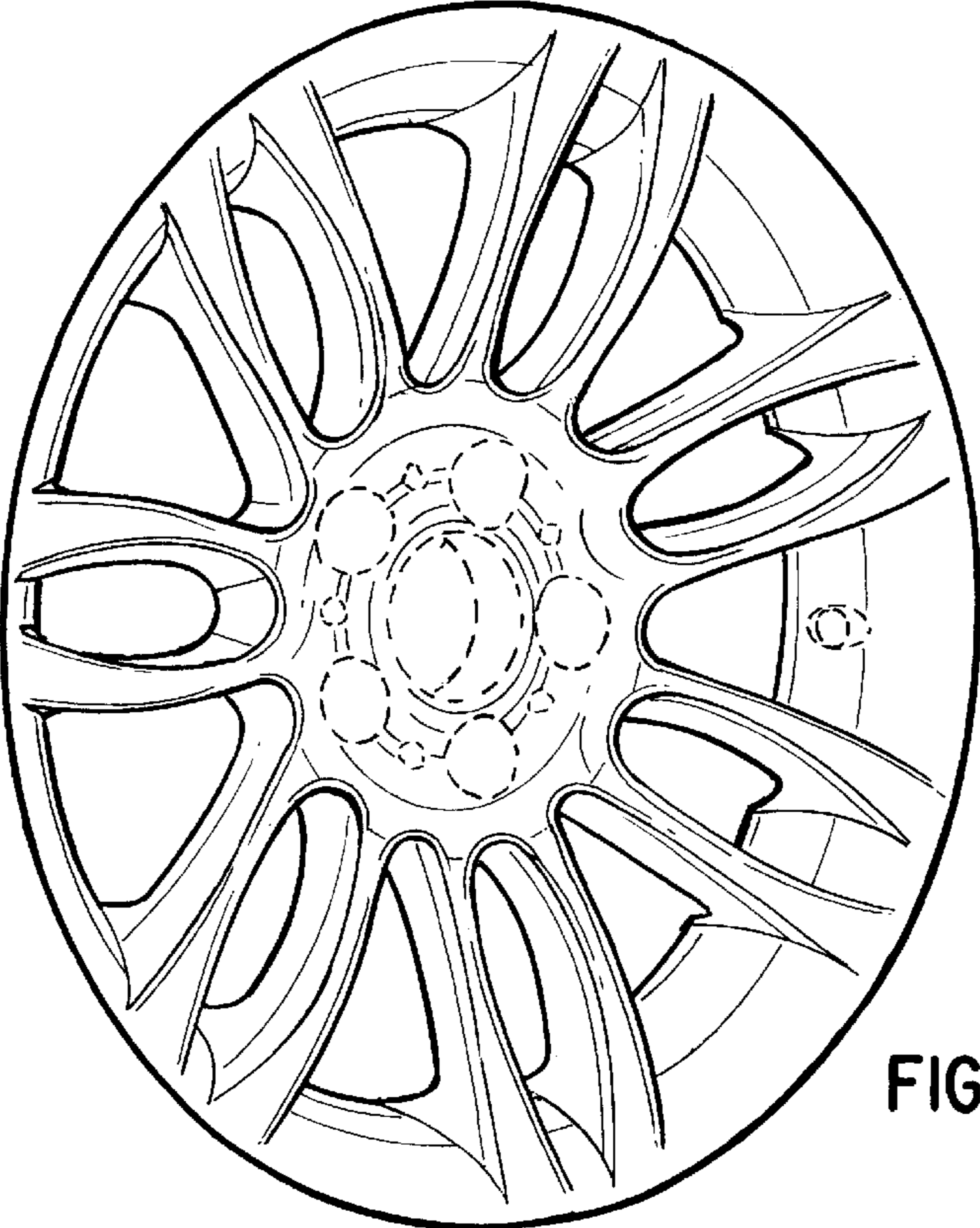


FIG. 2