

US00D517969S

(12) **United States Design Patent**
Brouillette et al.

(10) **Patent No.:** **US D517,969 S**

(45) **Date of Patent:** **** Mar. 28, 2006**

(54) **VEHICLE WHEEL**

(75) Inventors: **Brandon L. Brouillette**, Grand Junction, CO (US); **Benjamin P. Johnson**, Grand Junction, CO (US)

(73) Assignee: **Complete Wheel Source, Inc.**, Grand Junction, CO (US)

(**) Term: **14 Years**

(21) Appl. No.: **29/227,919**

(22) Filed: **Apr. 18, 2005**

(51) **LOC (8) Cl.** **12-16**

(52) **U.S. Cl.** **D12/209**

(58) **Field of Classification Search** D12/204-213;
301/37.101, 64.101, 65
See application file for complete search history.

(56) **References Cited**

U.S. PATENT DOCUMENTS

D96,307 S * 7/1935 Horn D12/209

D256,576 S * 8/1980 Koch D12/209
D383,428 S * 9/1997 Brown et al. D12/209
D415,462 S * 10/1999 Hussaini et al. D12/209
D476,939 S * 7/2003 Francis D12/209
D484,085 S * 12/2003 Tirado D12/211
D496,318 S * 9/2004 Cheng D12/209
D496,622 S * 9/2004 Cheng D12/209

* cited by examiner

Primary Examiner—Stacia Cadmus

(74) *Attorney, Agent, or Firm*—Dorr, Carson & Birney, P.C.

(57) **CLAIM**

The ornamental design for a vehicle wheel, as shown and described.

DESCRIPTION

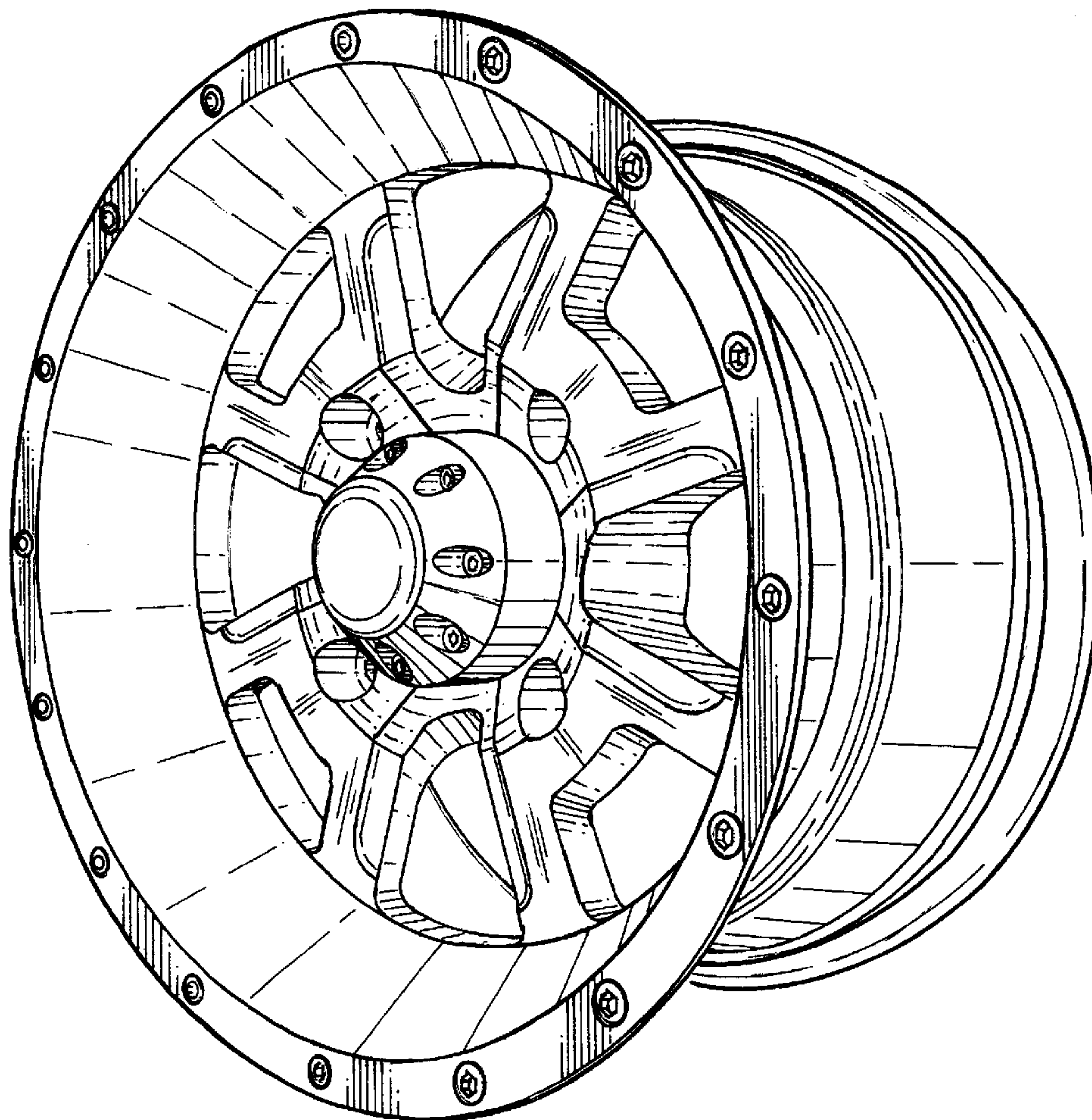
FIG. 1 is a portion of a vehicle wheel with the rest of the wheel shown in broken lines for ease of illustration.

FIG. 2 is a front perspective view of the entire vehicle wheel;

FIG. 3 is a front view of FIG. 2; and,

FIG. 4 is a side view of FIG. 2.

1 Claim, 4 Drawing Sheets



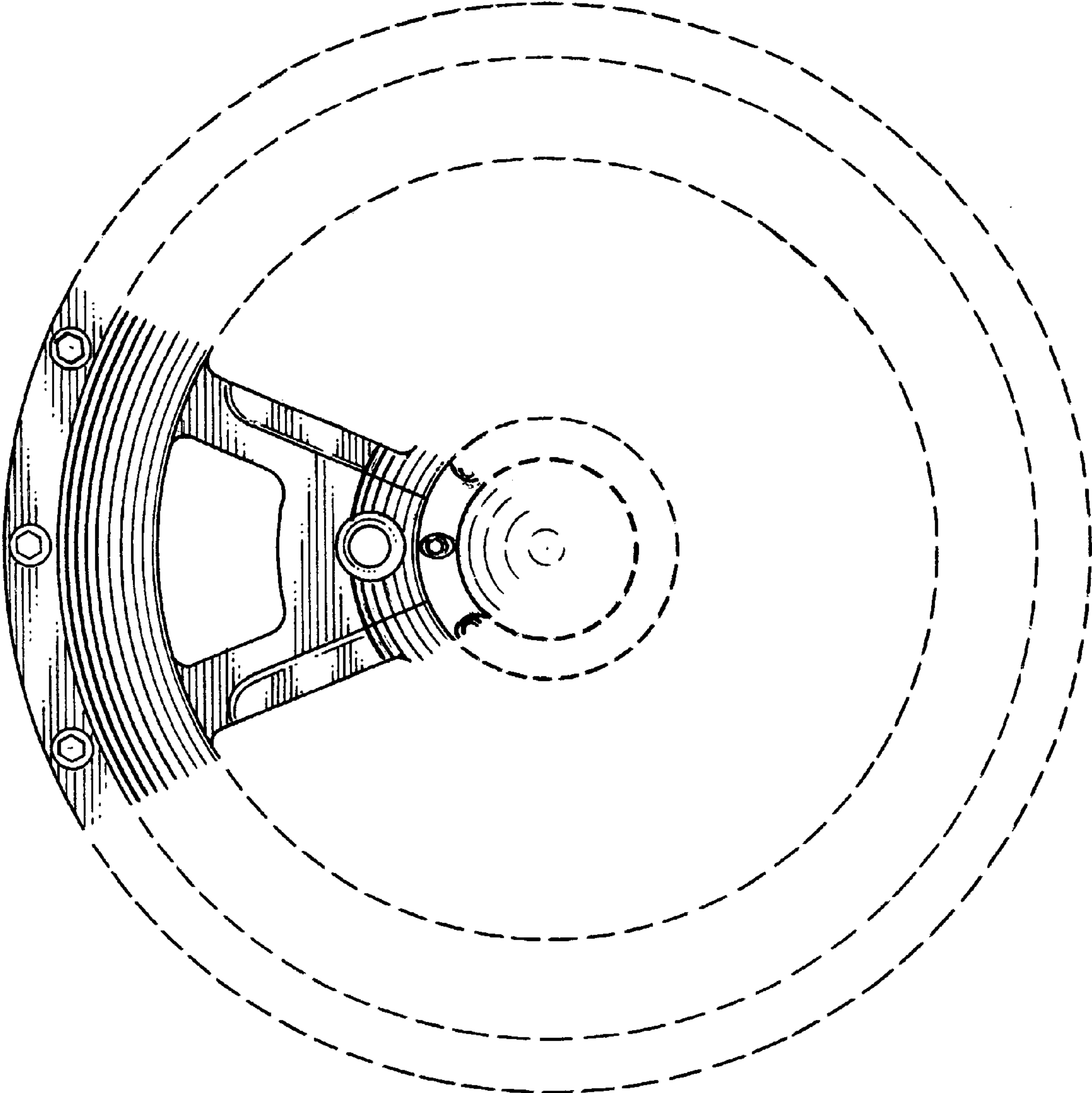


Fig. 1

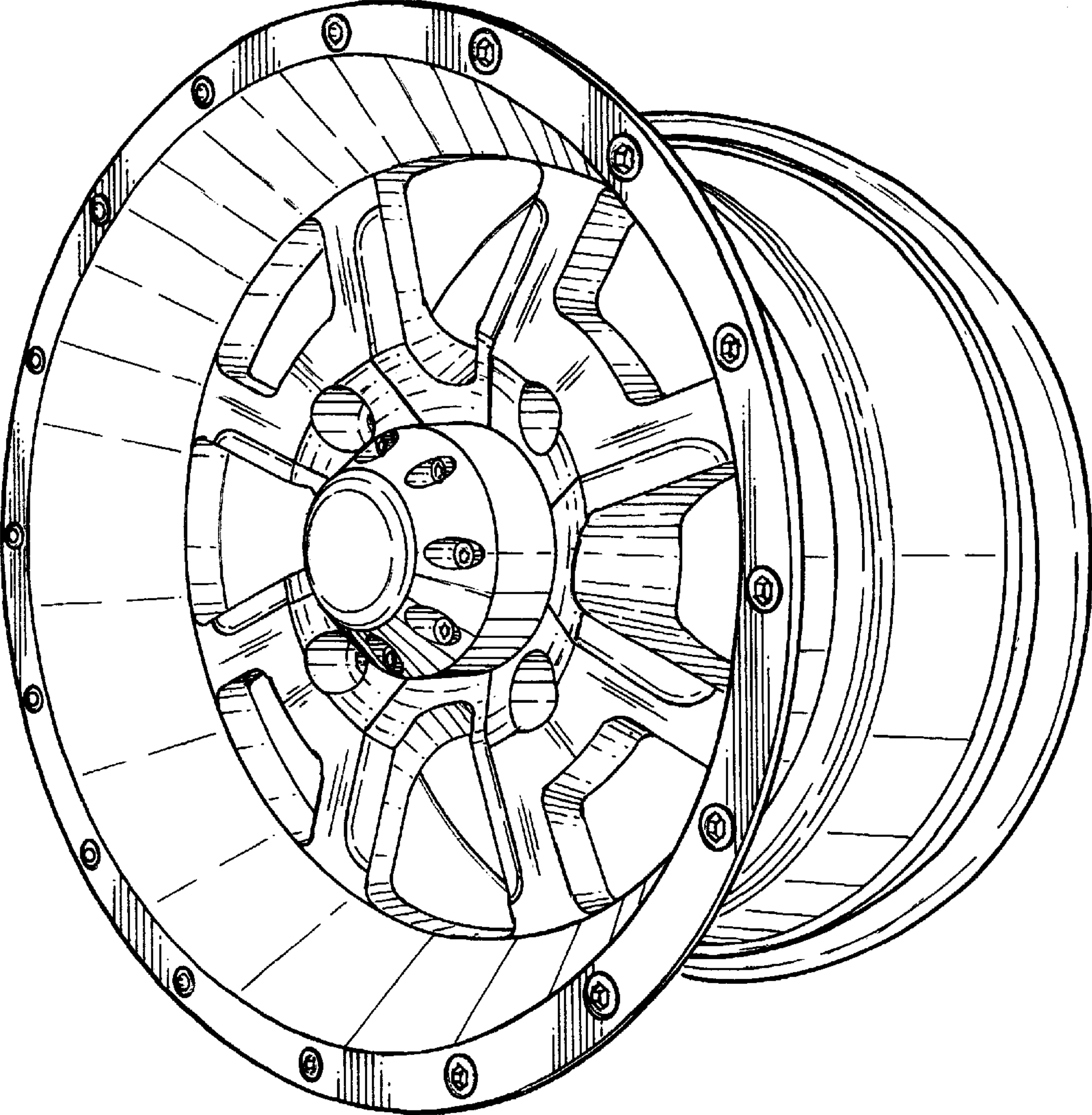


Fig. 2

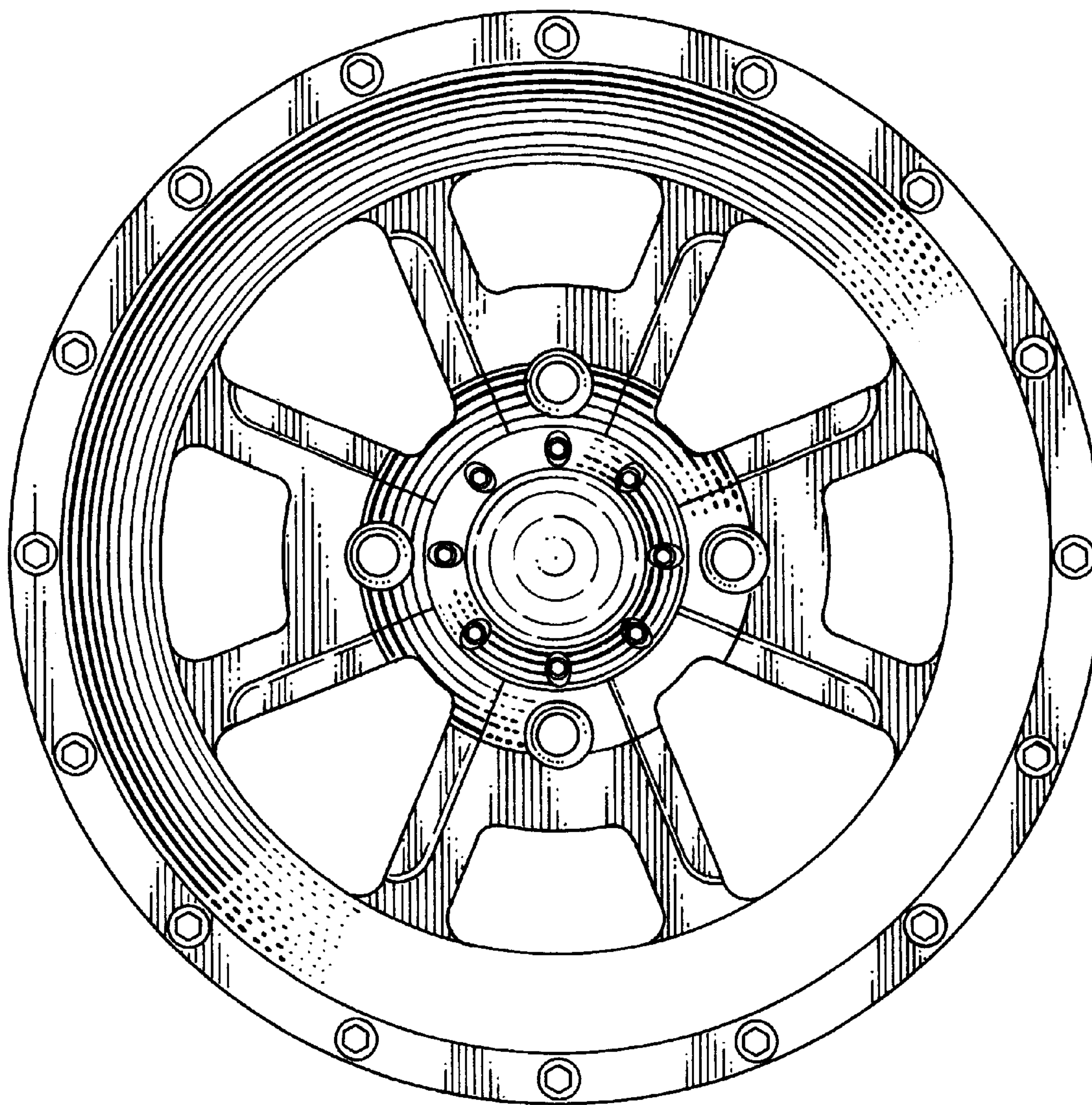


Fig. 3

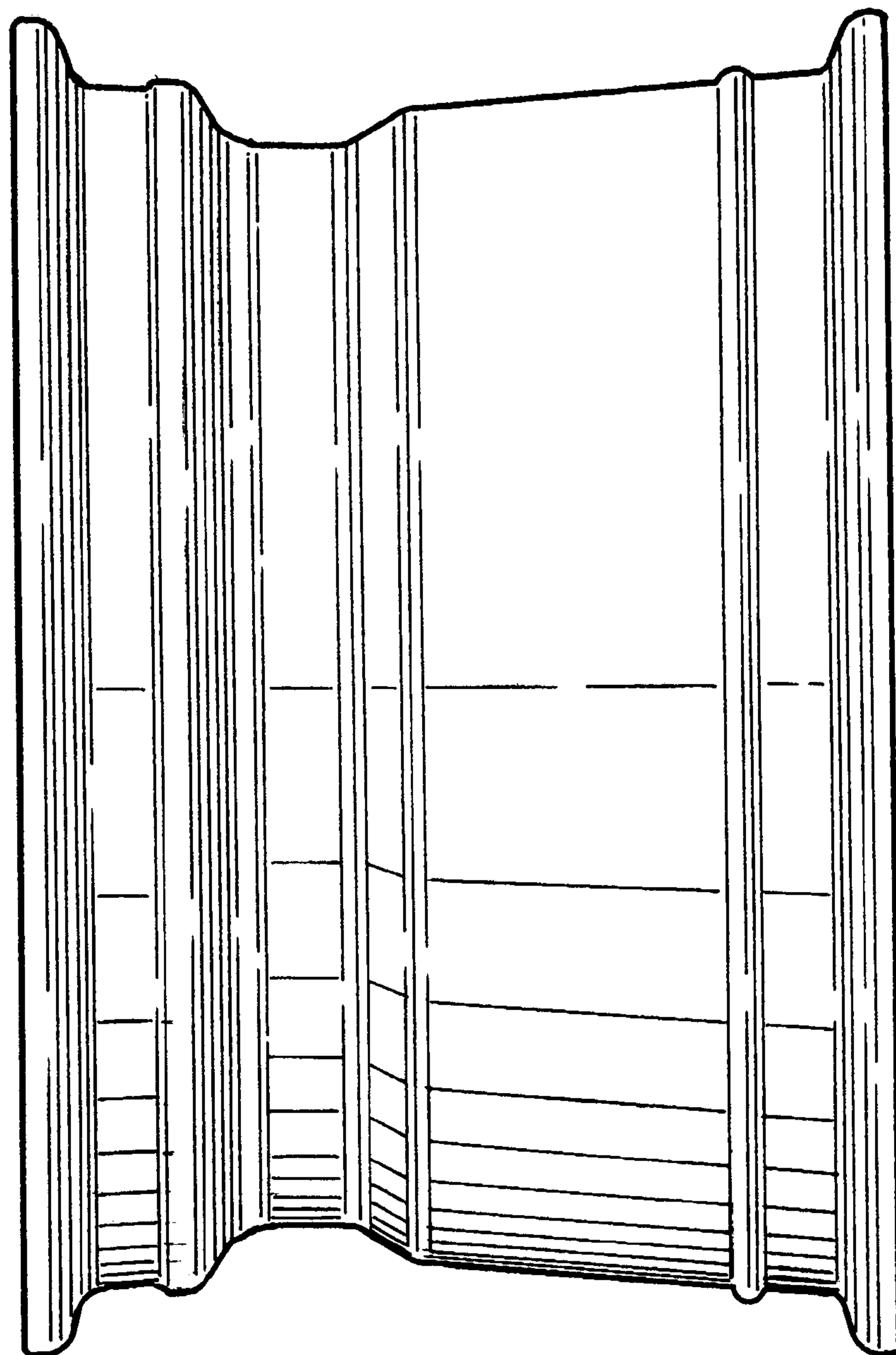


Fig. 4