

US00D517968S

(12) **United States Design Patent**  
**Morioka**

(10) **Patent No.:** **US D517,968 S**

(45) **Date of Patent:** **\*\* Mar. 28, 2006**

(54) **WHEEL FOR AN AUTOMOBILE**  
(75) Inventor: **Keisuke Morioka**, Saitama (JP)  
(73) Assignee: **Honda Motor Co., Ltd.**, Tokyo (JP)  
(\*\*) Term: **14 Years**

D458,572 S \* 6/2002 Fitzgerald ..... D12/209  
D472,866 S \* 4/2003 Pfeiffer et al. .... D12/211  
D499,369 S \* 12/2004 Pfeiffer ..... D12/209  
D504,648 S \* 5/2005 Pfeiffer ..... D12/209  
D506,964 S \* 7/2005 Sugiyama ..... D12/209

\* cited by examiner

*Primary Examiner*—Stacia Cadmus

(74) *Attorney, Agent, or Firm*—Westerman, Hattori,  
Daniels & Adrian, LLP

(21) Appl. No.: **29/223,038**  
(22) Filed: **Feb. 9, 2005**

(30) **Foreign Application Priority Data**

Aug. 11, 2004 (JP) ..... 2004-024201

(51) **LOC (8) Cl.** ..... **12-16**

(52) **U.S. Cl.** ..... **D12/209**

(58) **Field of Classification Search** ..... D12/204–213;  
301/37.101, 64.101, 65

See application file for complete search history.

(56) **References Cited**

**U.S. PATENT DOCUMENTS**

D403,289 S \* 12/1998 Watanabe ..... D12/209  
D422,258 S \* 4/2000 Hale, Jr. .... D12/211

(57) **CLAIM**

The ornamental design for, a wheel for an automobile, as shown and described.

**DESCRIPTION**

FIG. 1 is a front elevation view of a wheel for an automobile, showing our new design;

FIG. 2 is a top plan view thereof;

FIG. 3 is a right side elevation view thereof; and,

FIG. 4 is a perspective view thereof.

The broken lines are shown for illustrative purposes only and form no part of the claimed design.

**1 Claim, 4 Drawing Sheets**

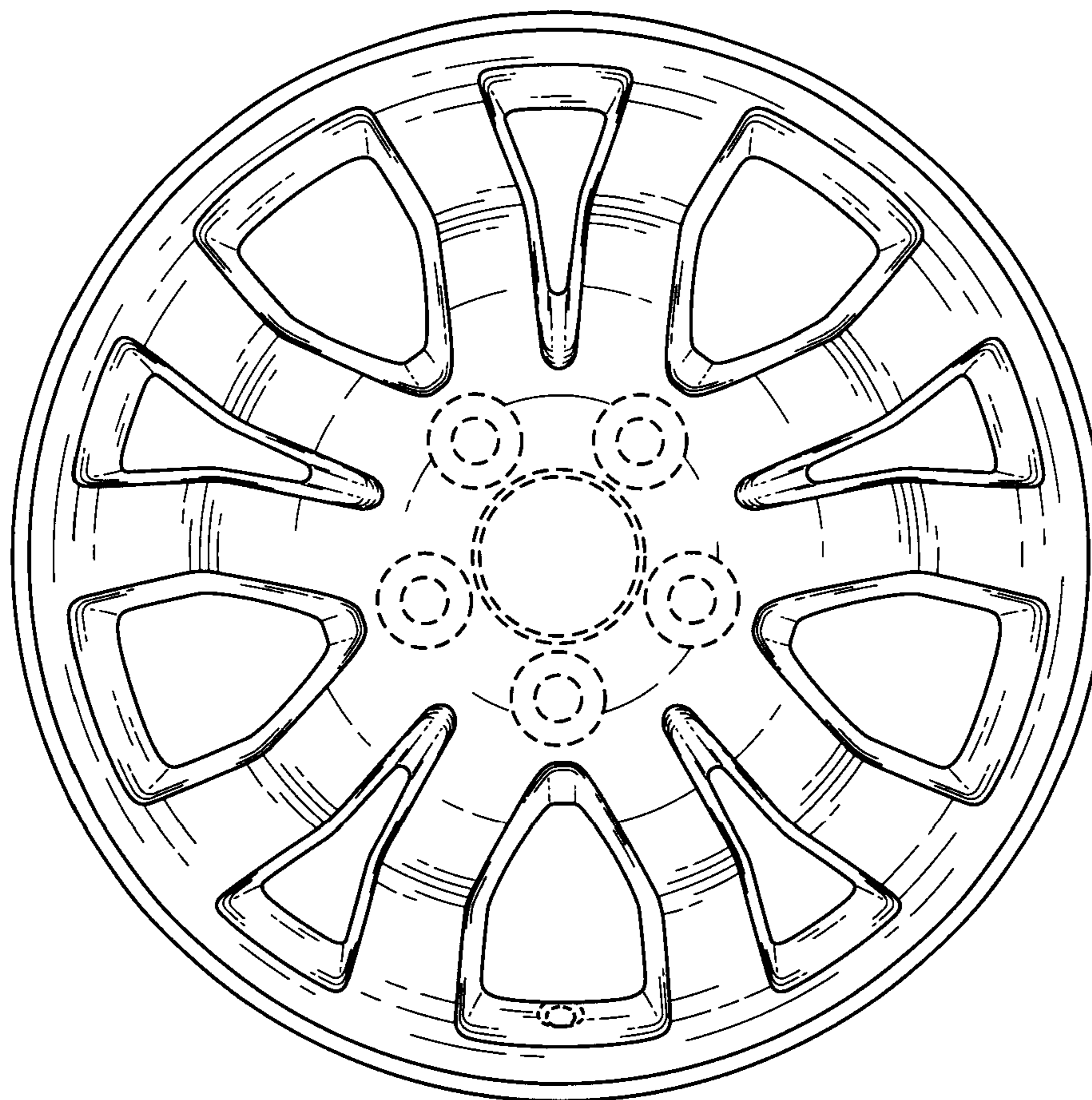


Fig.1

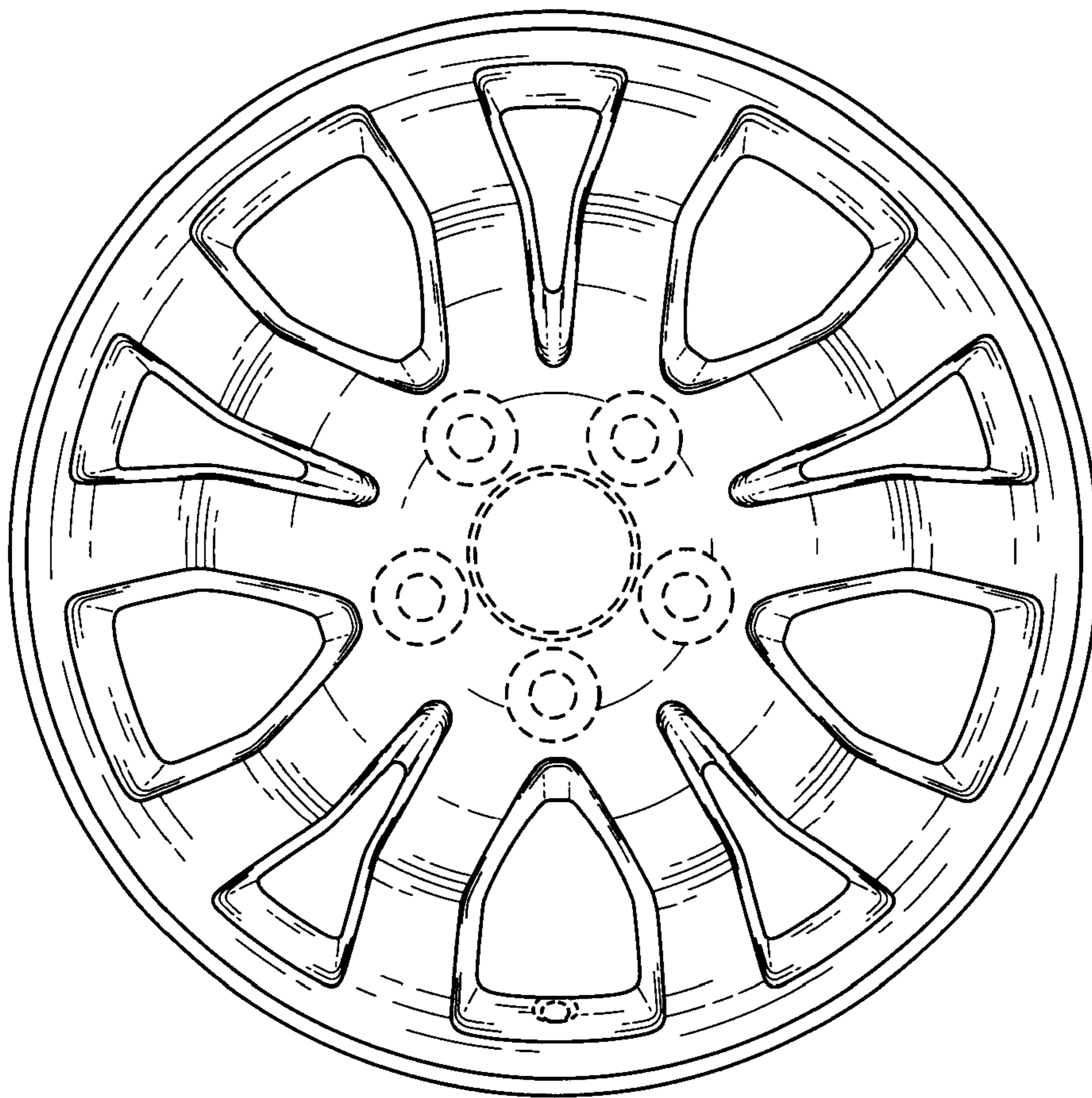


Fig.2

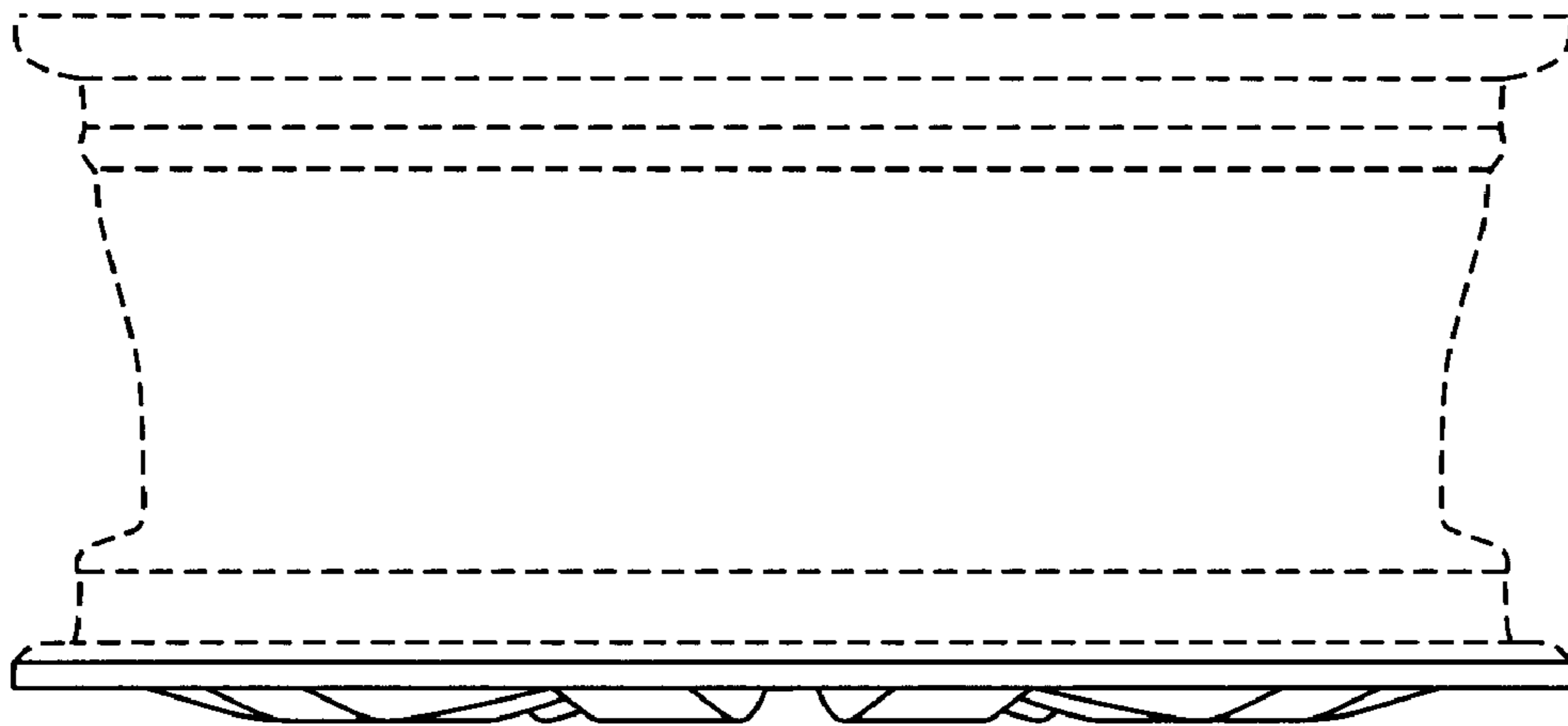


Fig.3

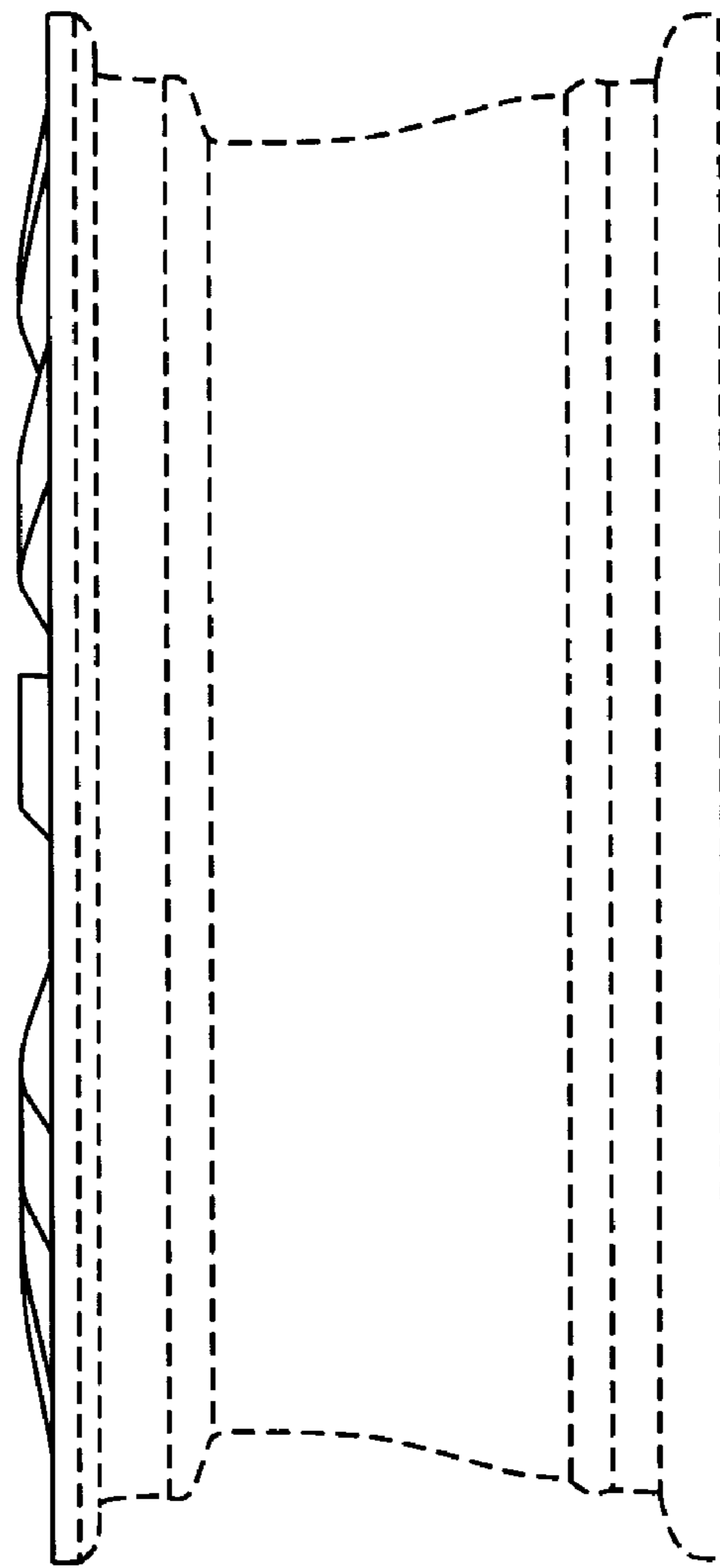


Fig.4

