



US00D517963S

(12) **United States Design Patent**
Potak

(10) **Patent No.:** **US D517,963 S**

(45) **Date of Patent:** **** Mar. 28, 2006**

(54) **VEHICLE GUARD**

D497,850 S * 11/2004 Dooley D12/169

(75) Inventor: **Robert L. Potak**, Strongsville, OH
(US)

* cited by examiner

(73) Assignee: **Meyer Products, Inc.**, Cleveland, OH
(US)

Primary Examiner—Melody N. Brown
(74) *Attorney, Agent, or Firm*—Roger D. Emerson;
Timothy D. Bennett; Brouse McDowell

(**) Term: **14 Years**

(57) **CLAIM**

(21) Appl. No.: **29/200,562**

The ornamental design for a vehicle guard, as shown and described.

(22) Filed: **Mar. 1, 2004**

DESCRIPTION

(51) **LOC (8) Cl.** **12-16**

(52) **U.S. Cl.** **D12/171**

(58) **Field of Classification Search** D12/169,
D12/196, 190, 90-92, 171; 296/180.1, 180.2;
293/102, 113, 115, 120

FIG. 1 is a perspective view of a vehicle guard showing my new design, the vehicle shown in broken lines are for illustrative purposes only and form no part of the claimed design.

See application file for complete search history.

FIG. 2 is a front elevation view thereof;
FIG. 3 is a front elevation view thereof shown without environmental vehicle portions;

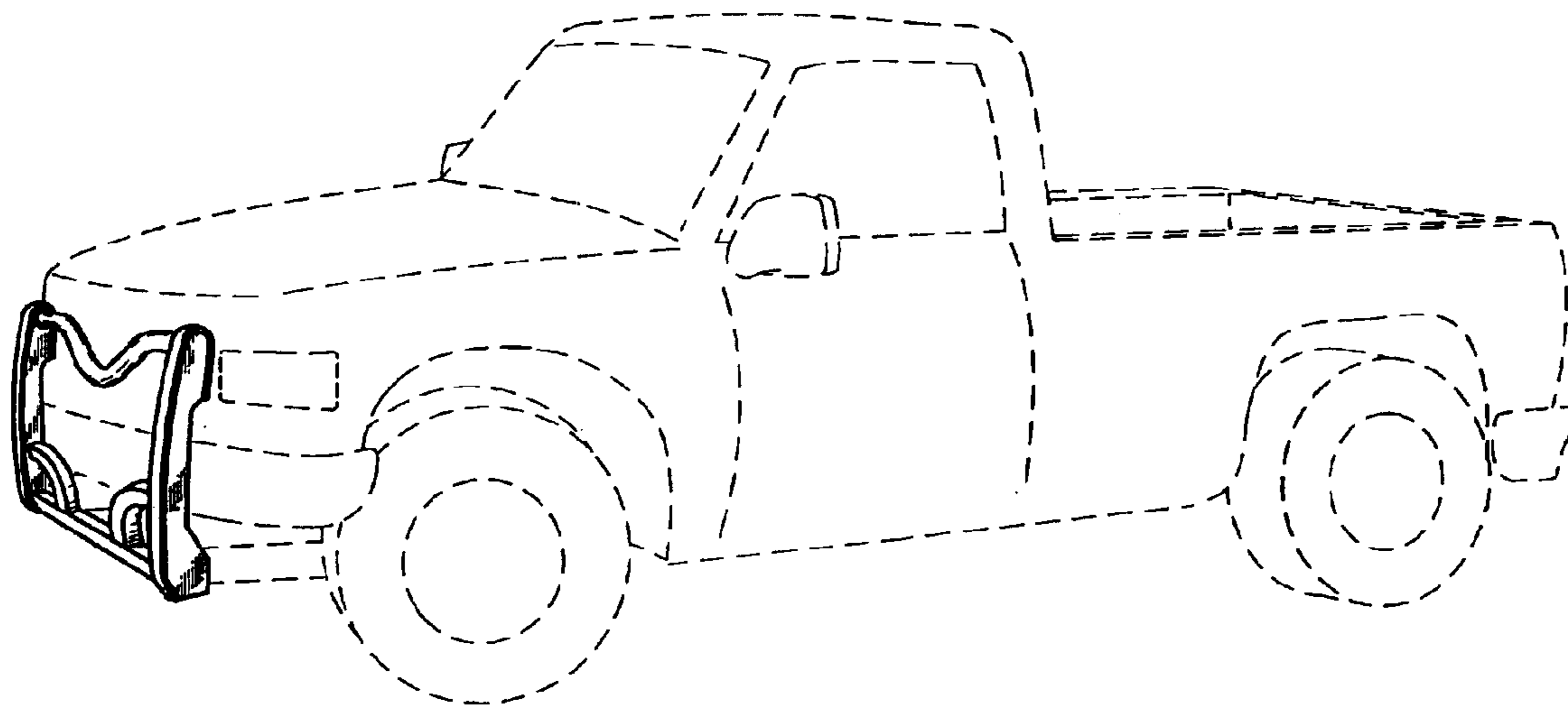
(56) **References Cited**

U.S. PATENT DOCUMENTS

D388,042 S * 12/1997 Thorne et al. D12/171
D440,530 S * 4/2001 Geisler D12/171

FIG. 4 is a left side elevation view thereof;
FIG. 5 is a right side elevation view thereof; and,
FIG. 6 is a top plan view thereof.

1 Claim, 3 Drawing Sheets



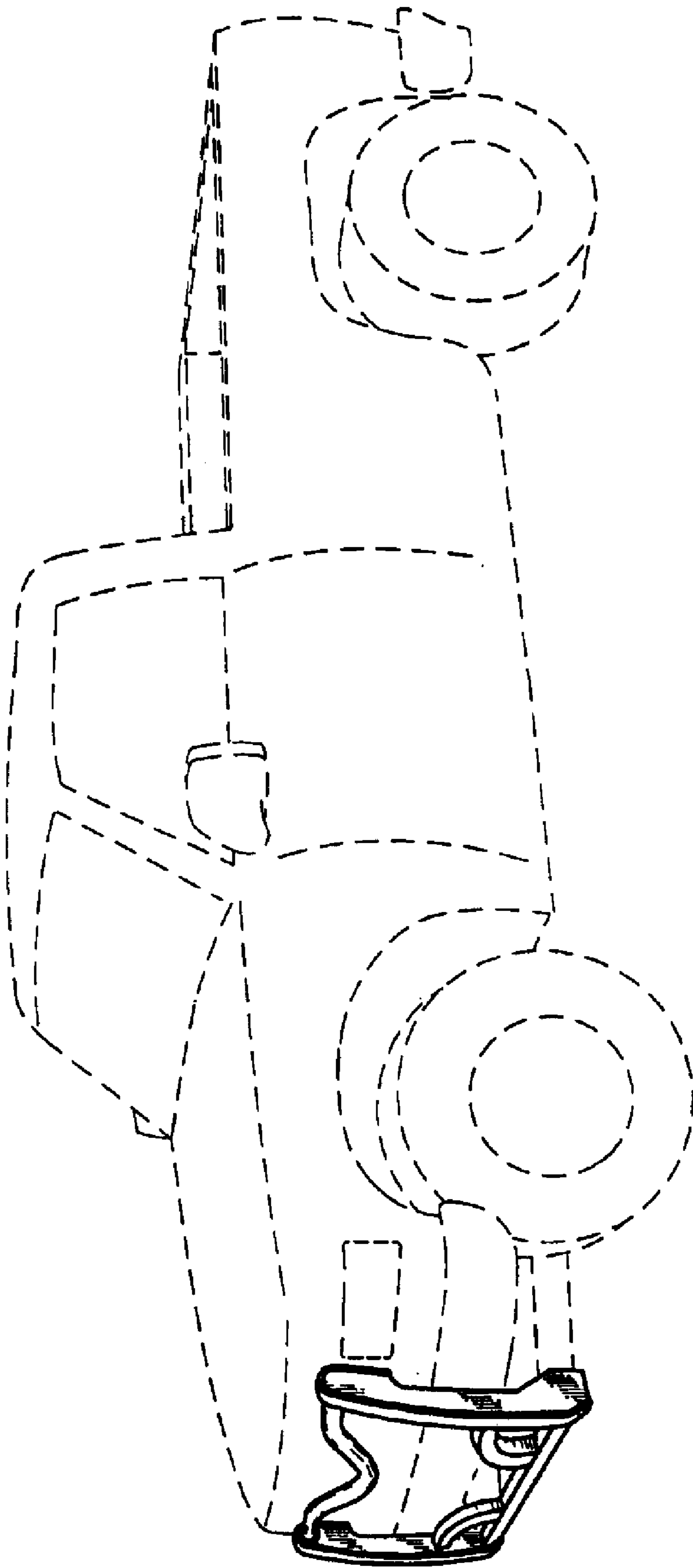


FIG-1

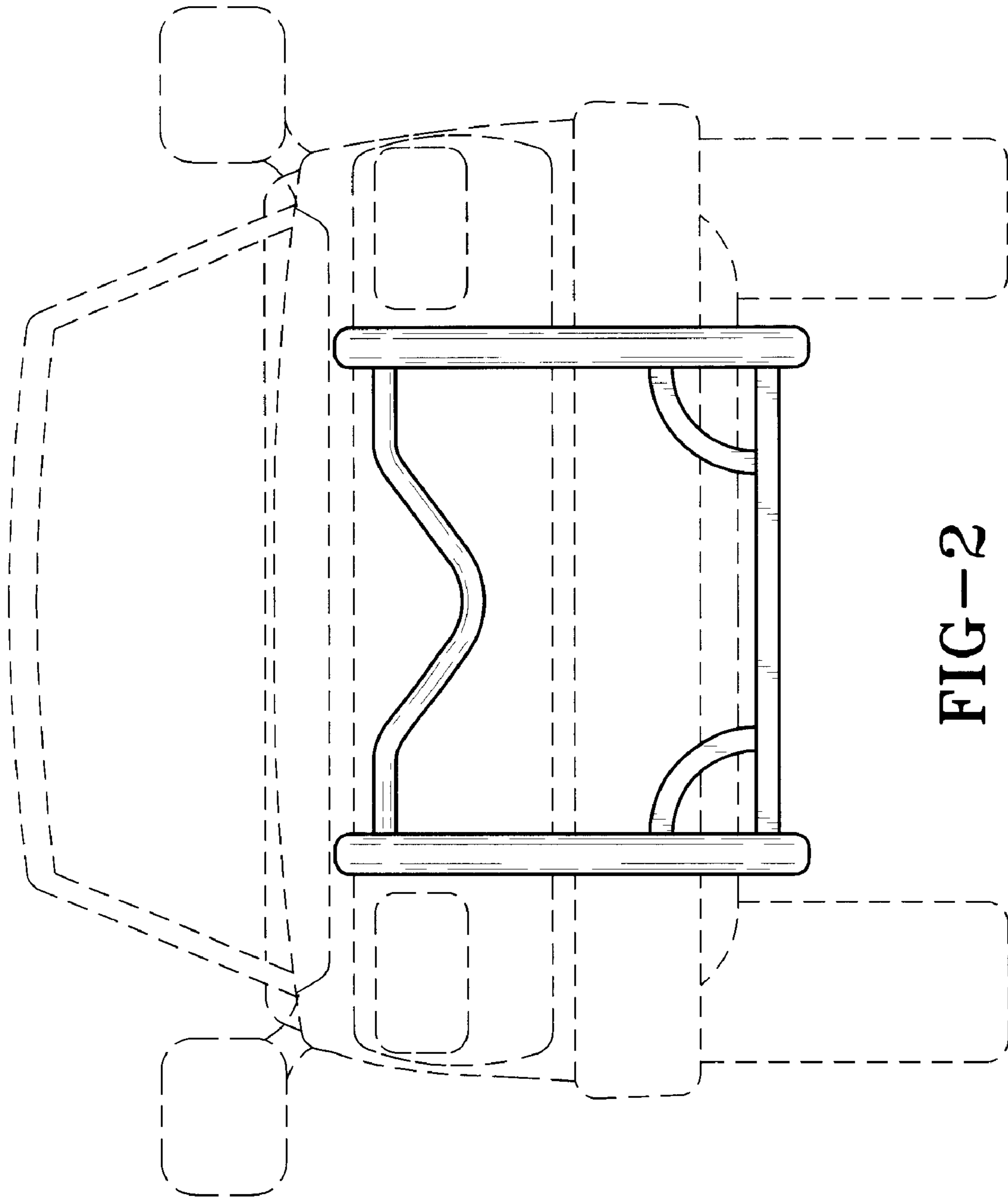


FIG-2

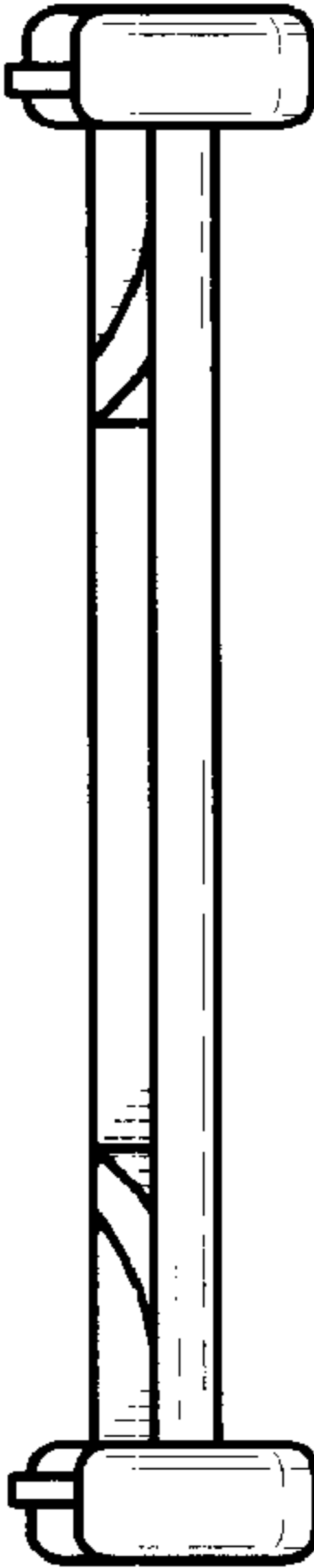


FIG-6

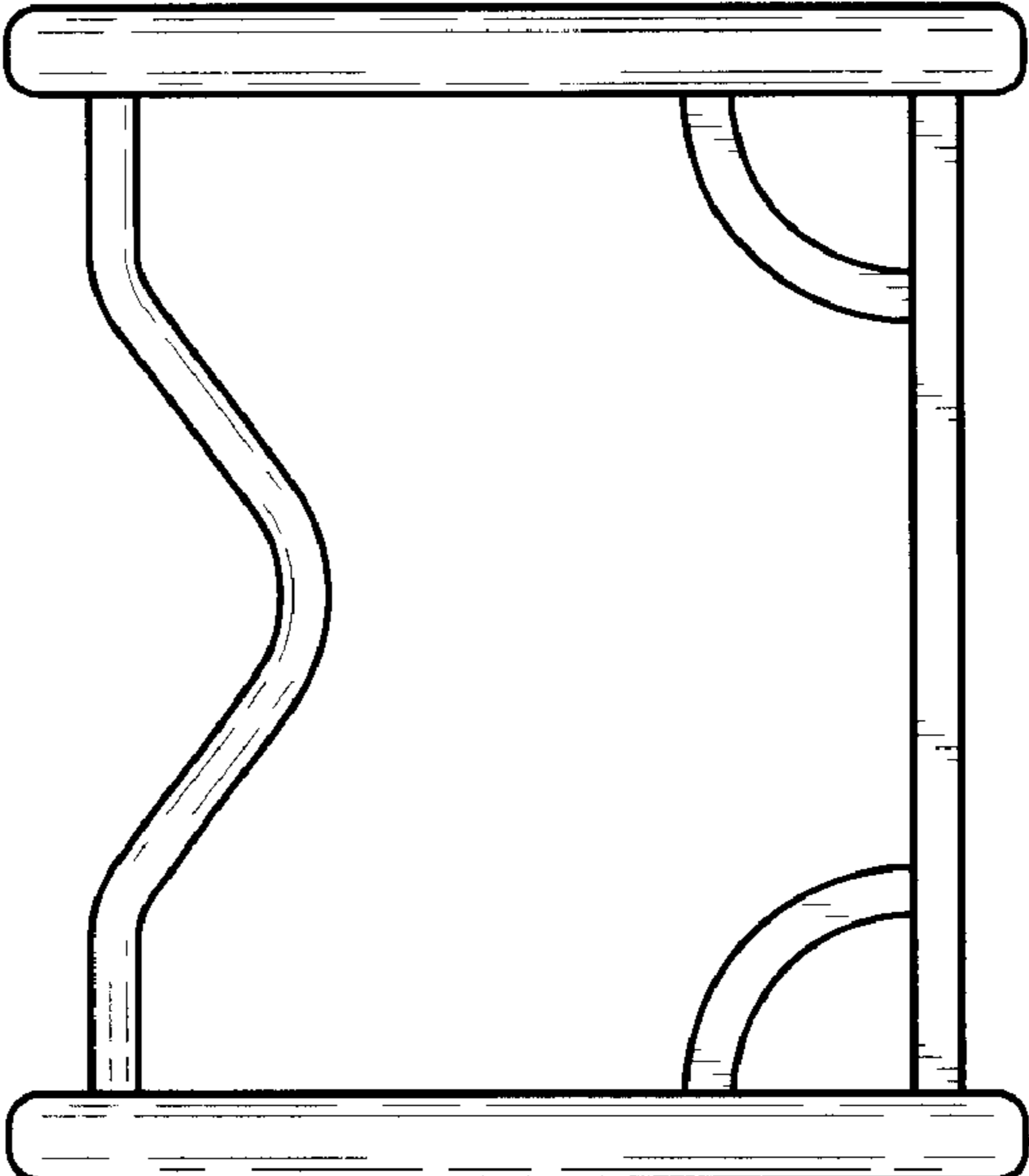


FIG-3

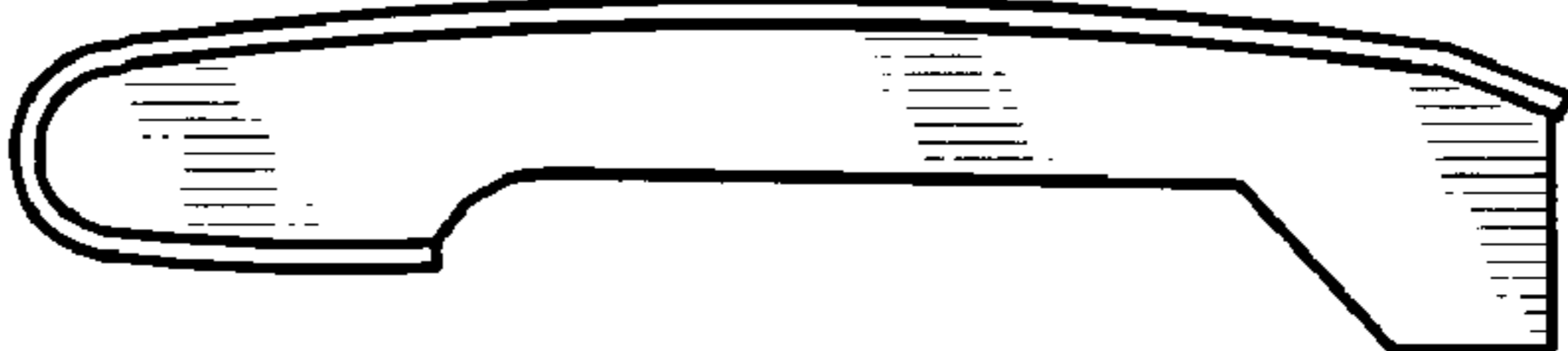


FIG-5

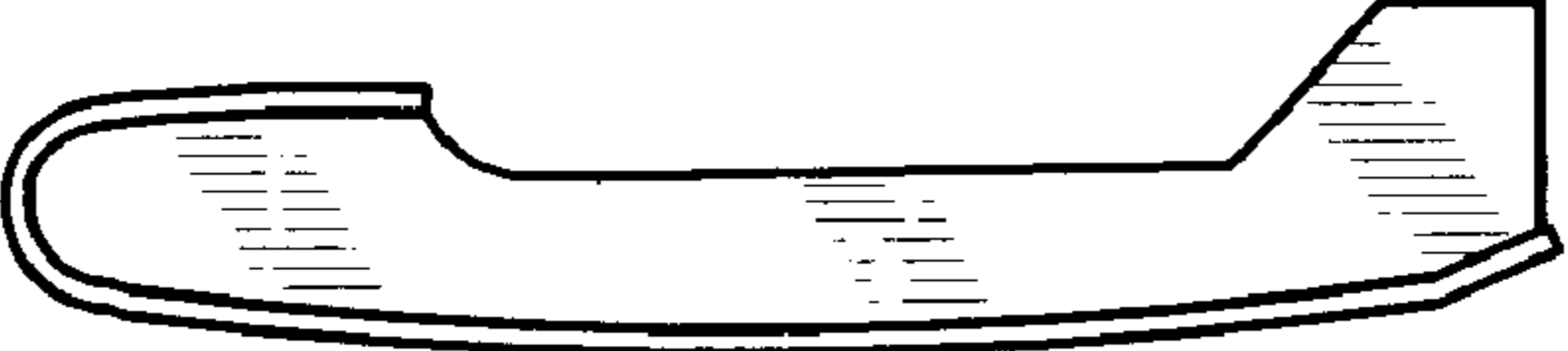


FIG-4