



US00D517960S

(12) **United States Design Patent**
Hoffman

(10) **Patent No.:** **US D517,960 S**

(45) **Date of Patent:** **** Mar. 28, 2006**

(54) **AXLE SLIDER FOR A MOTORCYCLE**

D456,750 S * 5/2002 McWilliams et al. D12/114
2002/0180256 A1 * 12/2002 Reich 301/111.01

(75) Inventor: **Harry Hoffman**, San Carlos, CA (US)

* cited by examiner

(73) Assignee: **Hoffmann Metal Products Inc.**, San Carlos, CA (US)

Primary Examiner—Alan P. Douglas

Assistant Examiner—Linda Brooks

(**) Term: **14 Years**

(74) *Attorney, Agent, or Firm*—Perkins Coie LLP

(21) Appl. No.: **29/217,519**

(57) **CLAIM**

(22) Filed: **Nov. 17, 2004**

I claim the ornamental design for an axle slider for a motorcycle, as shown and described.

(51) **LOC (8) Cl.** **12-11**

(52) **U.S. Cl.** **D12/114**

(58) **Field of Classification Search** D12/110,
D12/117, 126, 159, 114, 160; D8/397, 399;
411/366.1, 403, 411, 427, 429; 474/116, 144;
280/288.4, 274, 275, 304.3, 6.16, 86.75;
301/110.5, 120, 122, 111.01–111.07; 74/607,
74/608

DESCRIPTION

See application file for complete search history.

FIG. 1 is a perspective view of an axle slider for a motorcycle;

FIG. 2 is an enlarged elevational view at an angle thereof;

FIG. 3 is an enlarged front elevational view thereof; and,

FIG. 4 is an enlarged side elevational view thereof.

The broken line showing of the environment is for illustration purposes only and forms no part of the claimed design.

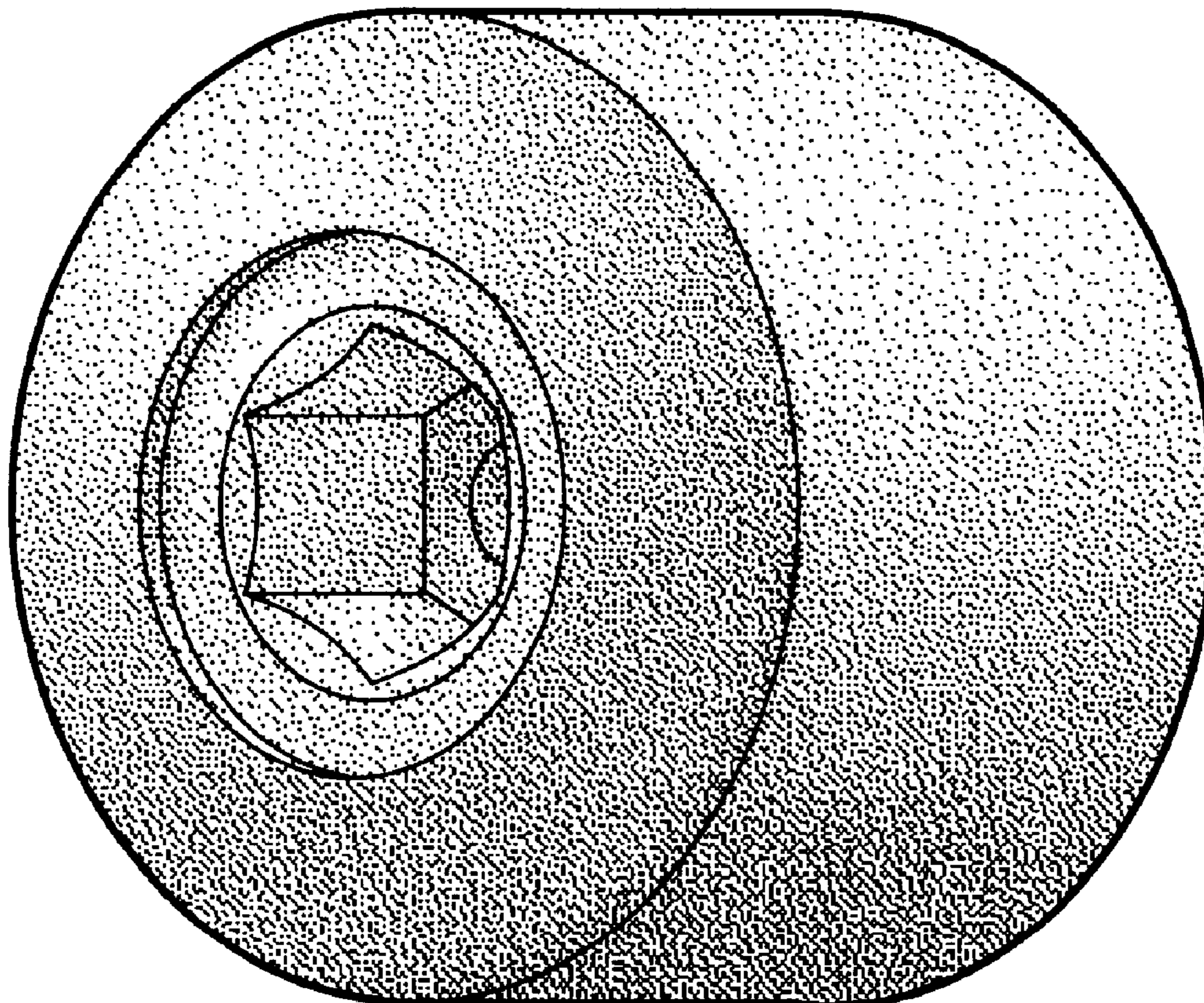
The broken lines which define the boundaries of the claimed design form no part thereof.

(56) **References Cited**

U.S. PATENT DOCUMENTS

444,517 A * 1/1891 Bock 301/122

1 Claim, 4 Drawing Sheets



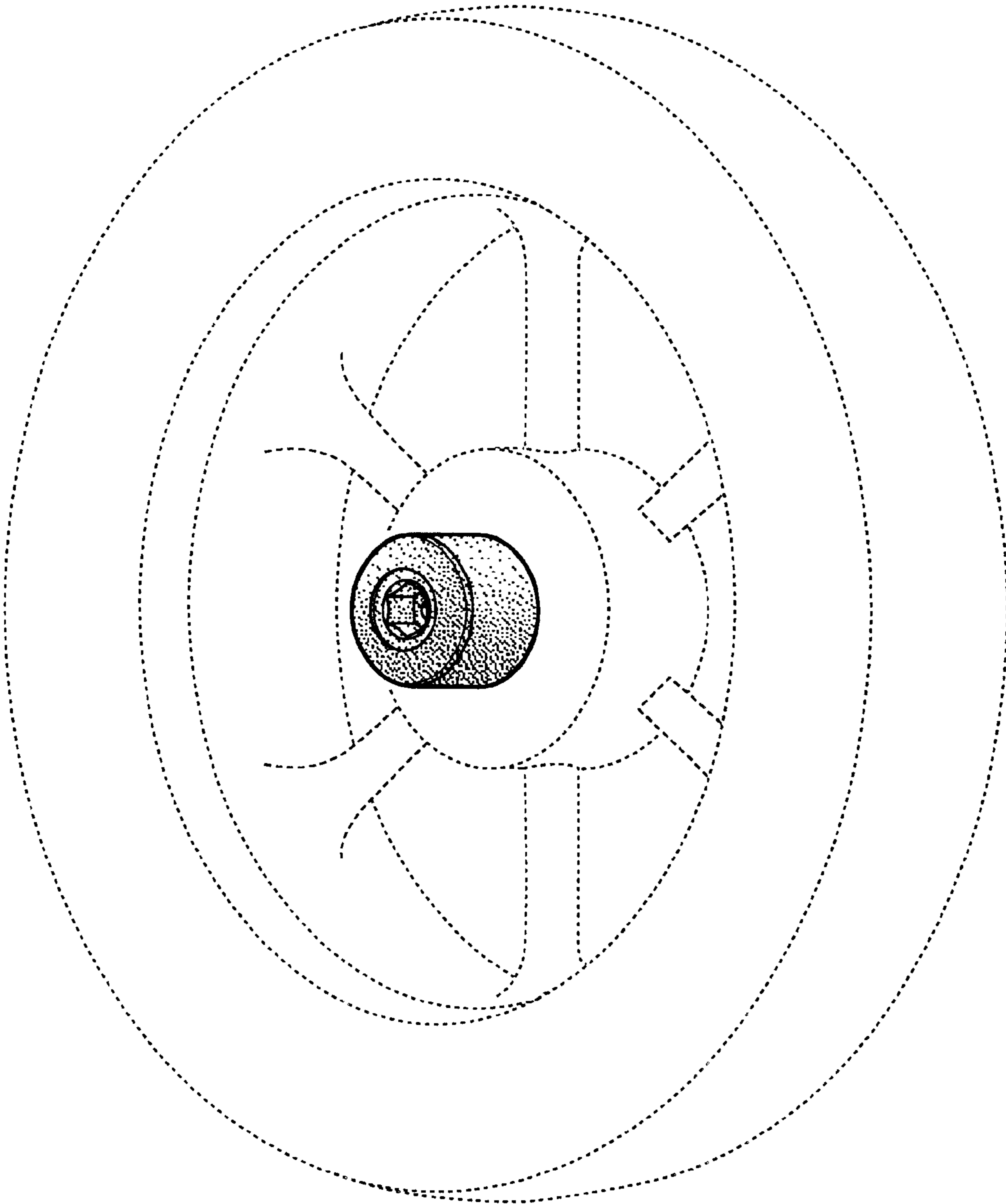


Fig. 1

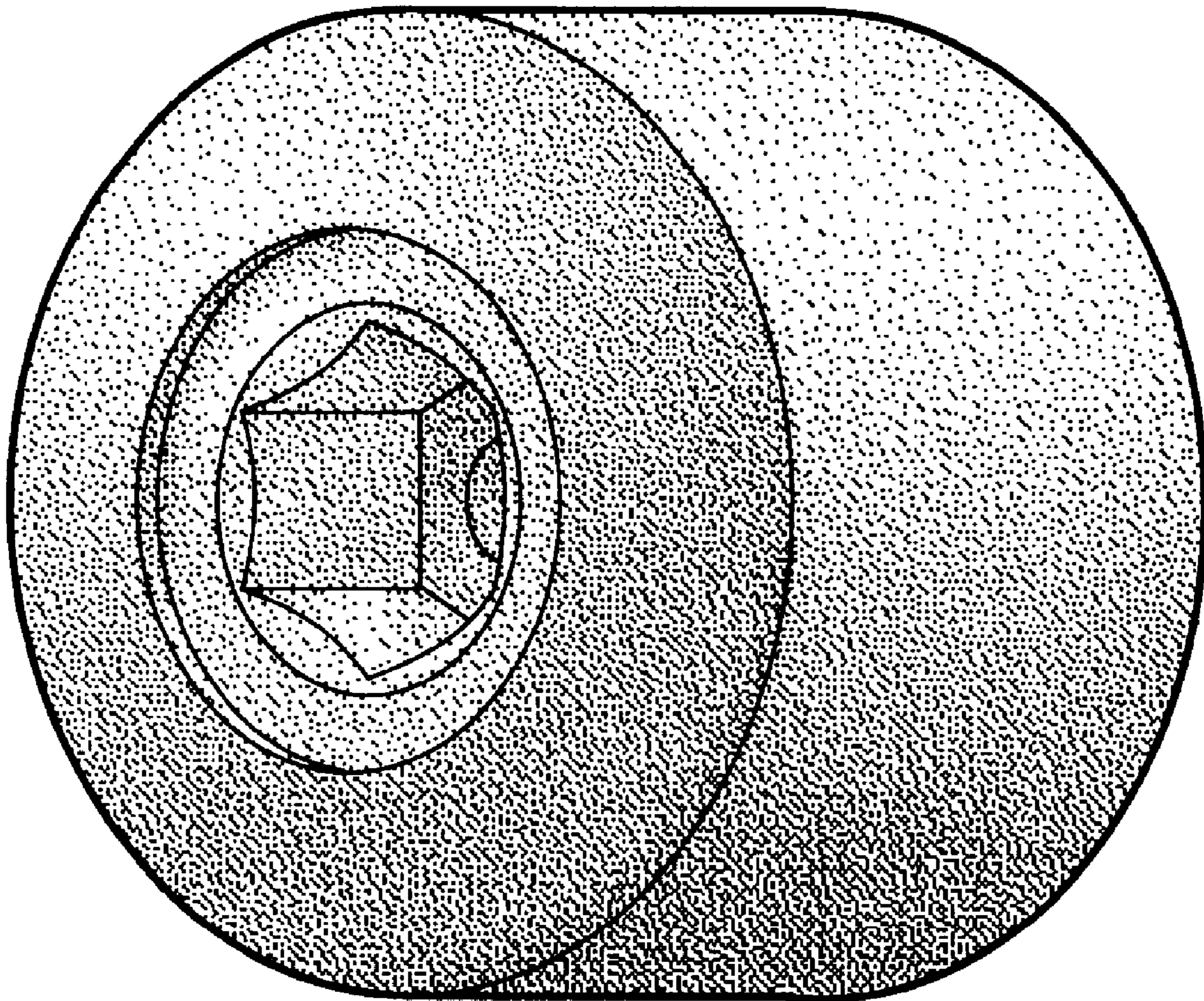


Fig. 2

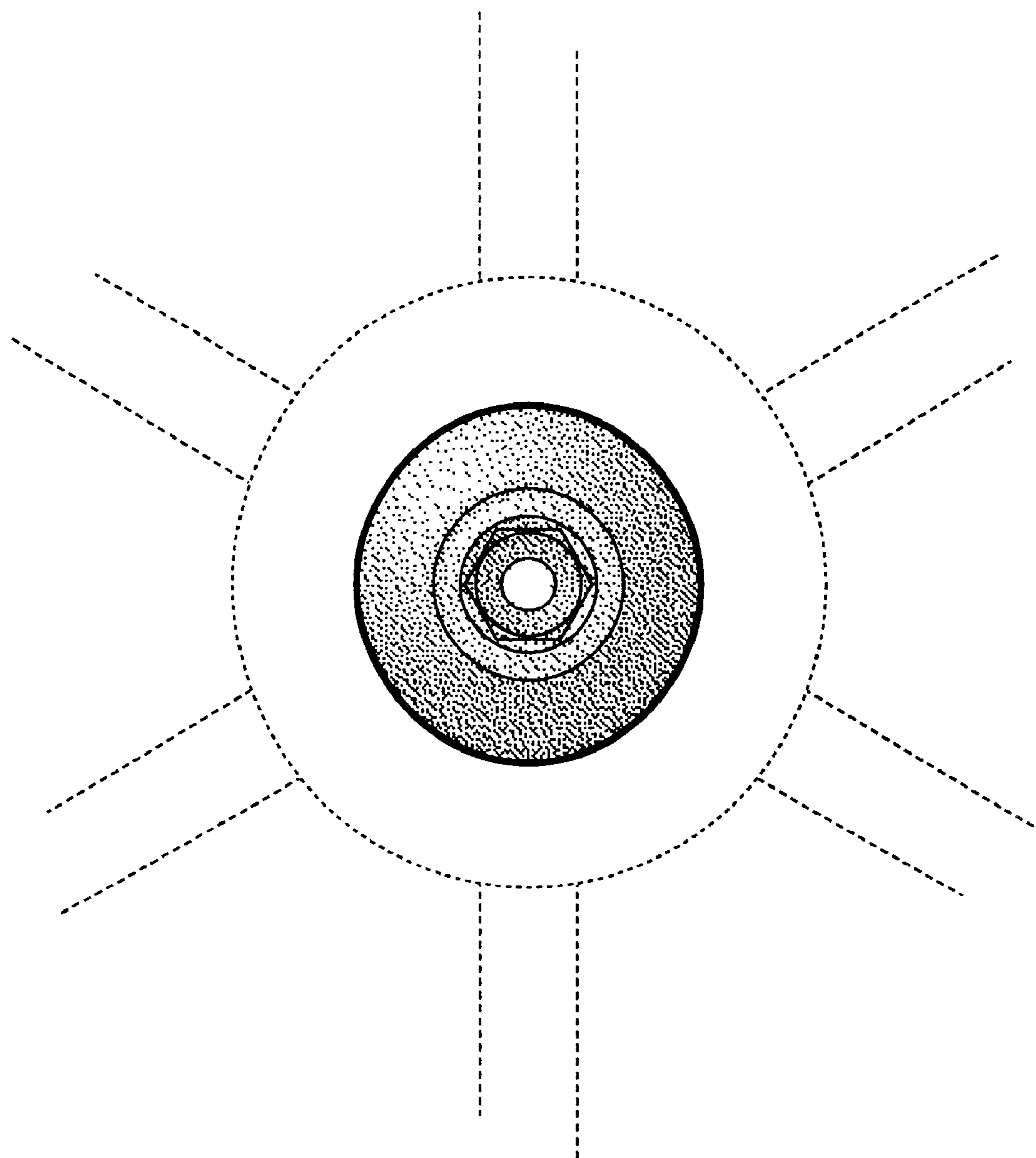


Fig. 3

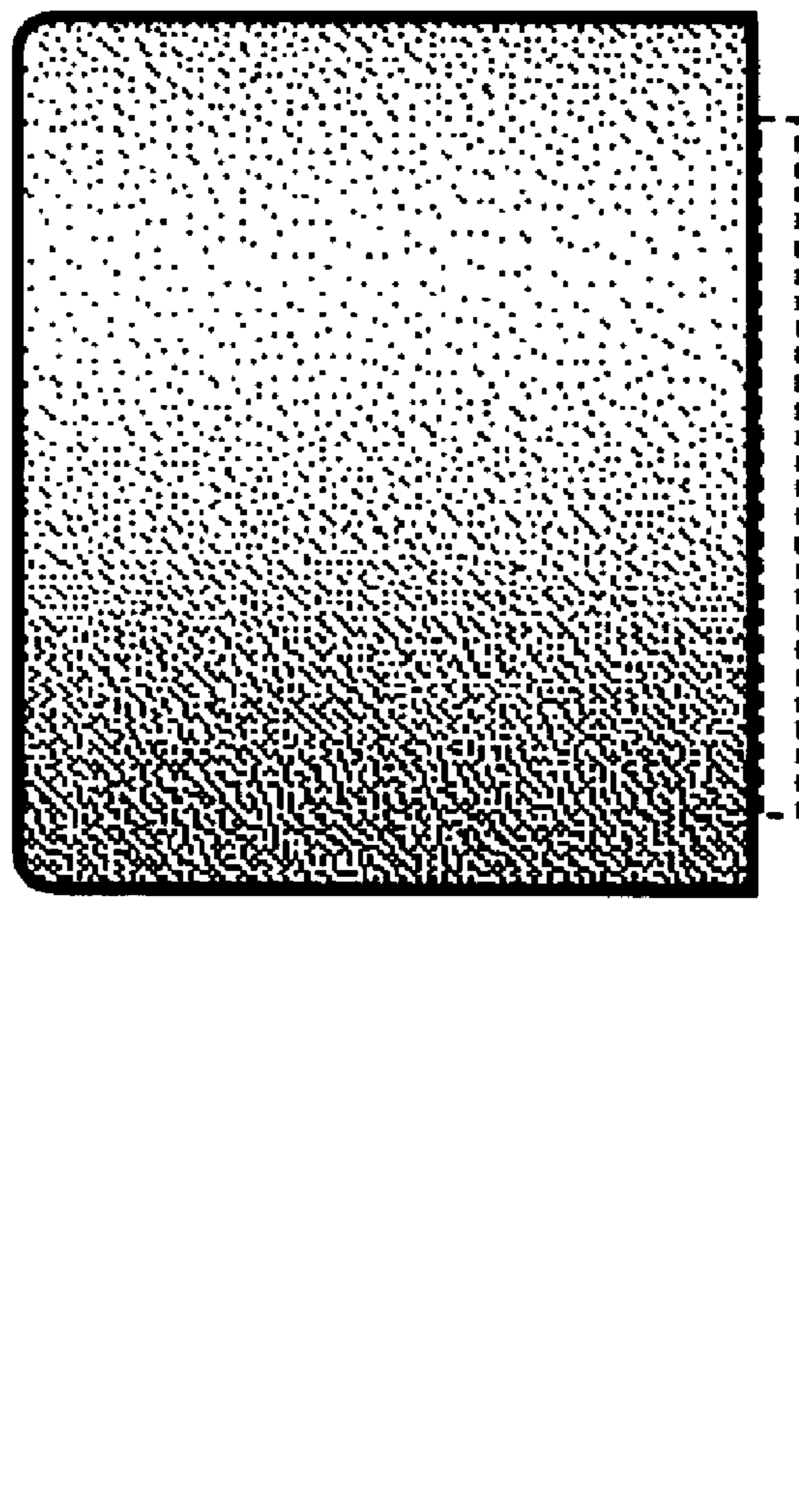


Fig. 4